

US00D767515S

(12) **United States Design Patent** (10) **Patent No.:** **US D767,515 S**
Eguchi et al. (45) **Date of Patent:** **** Sep. 27, 2016**

(54) **LIGHT EMITTING DIODE** D705,181 S * 5/2014 Hussell D13/180
D706,231 S * 6/2014 Hussell D13/180
(71) Applicants: **CITIZEN ELECTRONICS CO., LTD.**, Yamanashi (JP); **CITIZEN HOLDINGS CO., LTD.**, Tokyo (JP) D707,192 S * 6/2014 Hussell D13/180
D709,041 S * 7/2014 Yu D13/180
D712,850 S * 9/2014 Welch D13/180
8,835,931 B2 * 9/2014 Wirth H01L 25/0753
257/76
(72) Inventors: **Hiroaki Eguchi**, Yamanashi (JP); D717,252 S * 11/2014 Takeda D13/180
Toshiaki Ishihara, Yamanashi (JP) D721,339 S * 1/2015 Hussell D13/180

(Continued)

(73) Assignees: **Citizen Electronics Co., Ltd.**, Yamanashi (JP); **Citizen Holdings Co., Ltd.**, Tokyo (JP)

FOREIGN PATENT DOCUMENTS

(**) Term: **14 Years**

JP D1414399 5/2011
JP D1414897 5/2011
JP D1430595 12/2011

(21) Appl. No.: **29/523,139**

OTHER PUBLICATIONS

(22) Filed: **Apr. 7, 2015**

U.S. Appl. No. 29/509,865, filed Nov. 21, 2014, Eguchi et al.

(30) **Foreign Application Priority Data**

(Continued)

Oct. 24, 2014 (JP) 2014-023877

Primary Examiner — Selina Sikder

(51) **LOC (10) Cl.** **13-03**

(74) *Attorney, Agent, or Firm* — Wenderoth, Lind & Ponack, L.L.P.

(52) **U.S. Cl.**
USPC **D13/180**

(58) **Field of Classification Search**
USPC D13/180; D26/1
CPC . H01L 25/167; H01L 25/0753; H01L 27/15;
H01L 27/156; H01L 31/02; H01L 33/00;
H01L 33/04; H01L 33/08; H01L 33/10;
H01L 33/20; H01L 33/38; H01L 33/42;
H01L 33/48; H01L 33/483; H01L 33/486
See application file for complete search history.

(57) **CLAIM**

The ornamental design for a light emitting diode, as shown and described.

(56) **References Cited**

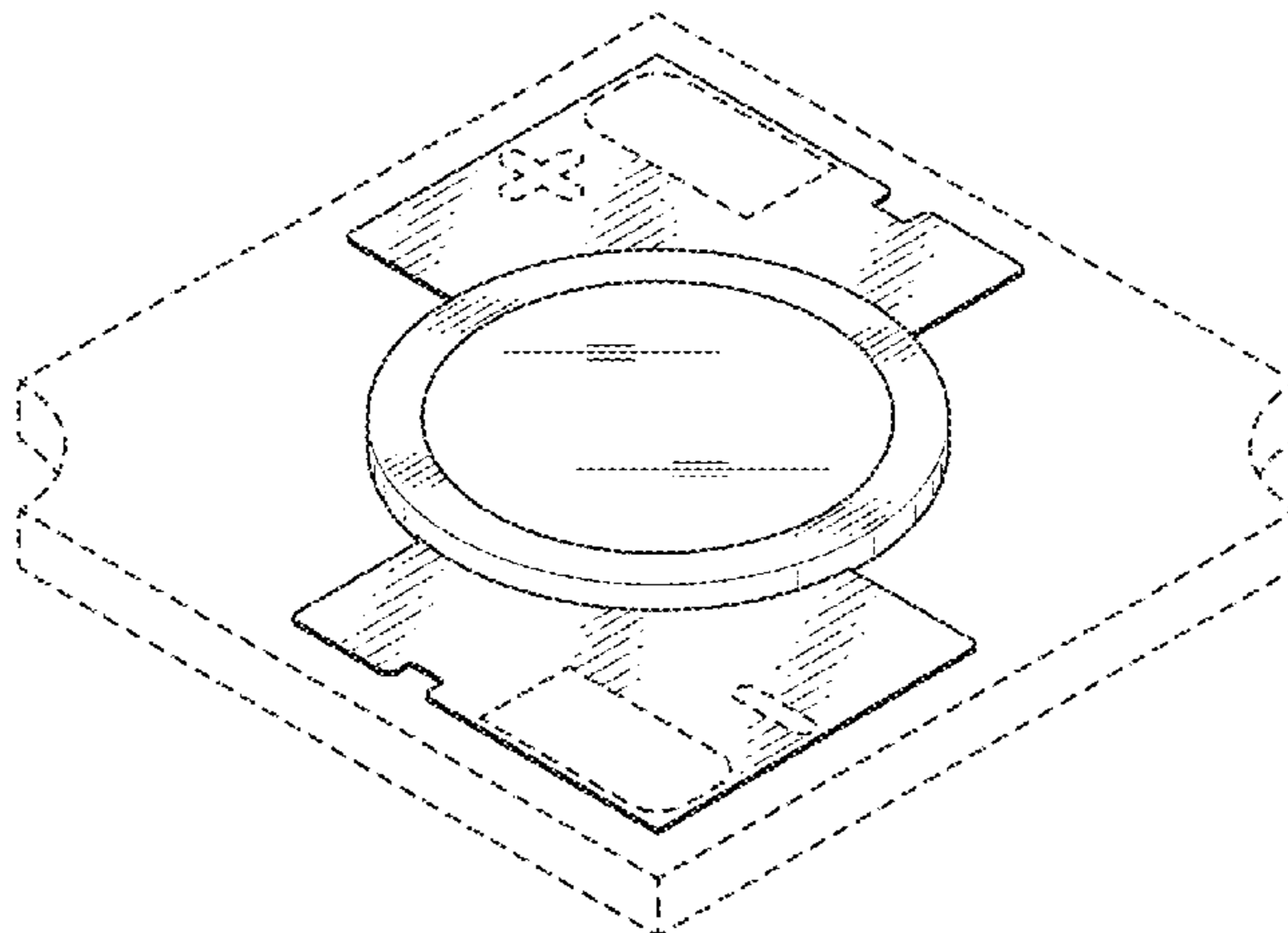
DESCRIPTION

U.S. PATENT DOCUMENTS

D615,052 S 5/2010 Imai et al.
D618,635 S * 6/2010 Imai D13/180
D628,169 S * 11/2010 Yamada D13/180
D658,603 S * 5/2012 Egawa D13/180
D669,041 S * 10/2012 Imai D13/180
D682,224 S * 5/2013 Sasano D13/180

FIG. 1 is a perspective view of a light emitting diode showing our new design;
FIG. 2 is a top plan view thereof;
FIG. 3 is a front view thereof;
FIG. 4 is a rear view thereof;
FIG. 5 is a left side elevational view thereof;
FIG. 6 is a right side elevational view thereof; and,
FIG. 7 is a bottom plan view thereof.
The broken lines shown in the drawings are for illustrative purposes only and form no part of the claimed design.

1 Claim, 5 Drawing Sheets



(56)

References Cited

U.S. PATENT DOCUMENTS

D727,273 S * 4/2015 Oka D13/180
D727,860 S * 4/2015 Watanabe D13/180
9,029,905 B2 * 5/2015 Lin H01L 33/52
257/99
9,046,226 B2 * 6/2015 Shimozawa F21K 9/56
9,057,501 B2 * 6/2015 Cho F21V 19/0015
9,059,376 B2 * 6/2015 Chou H01L 25/0753
D739,565 S * 9/2015 Welch D26/1

9,130,140 B2 * 9/2015 Tsuchiya H01L 33/641
D740,768 S * 10/2015 Takeda D13/180
D748,067 S * 1/2016 Gumhold D13/180
D750,581 S * 3/2016 Eguchi D13/180
2015/0146425 A1 * 5/2015 Huang F21K 9/00
362/249.02

OTHER PUBLICATIONS

U.S. Appl. No. 29/509,861, filed Nov. 21, 2014, Eguchi et al.

* cited by examiner

FIG. 1

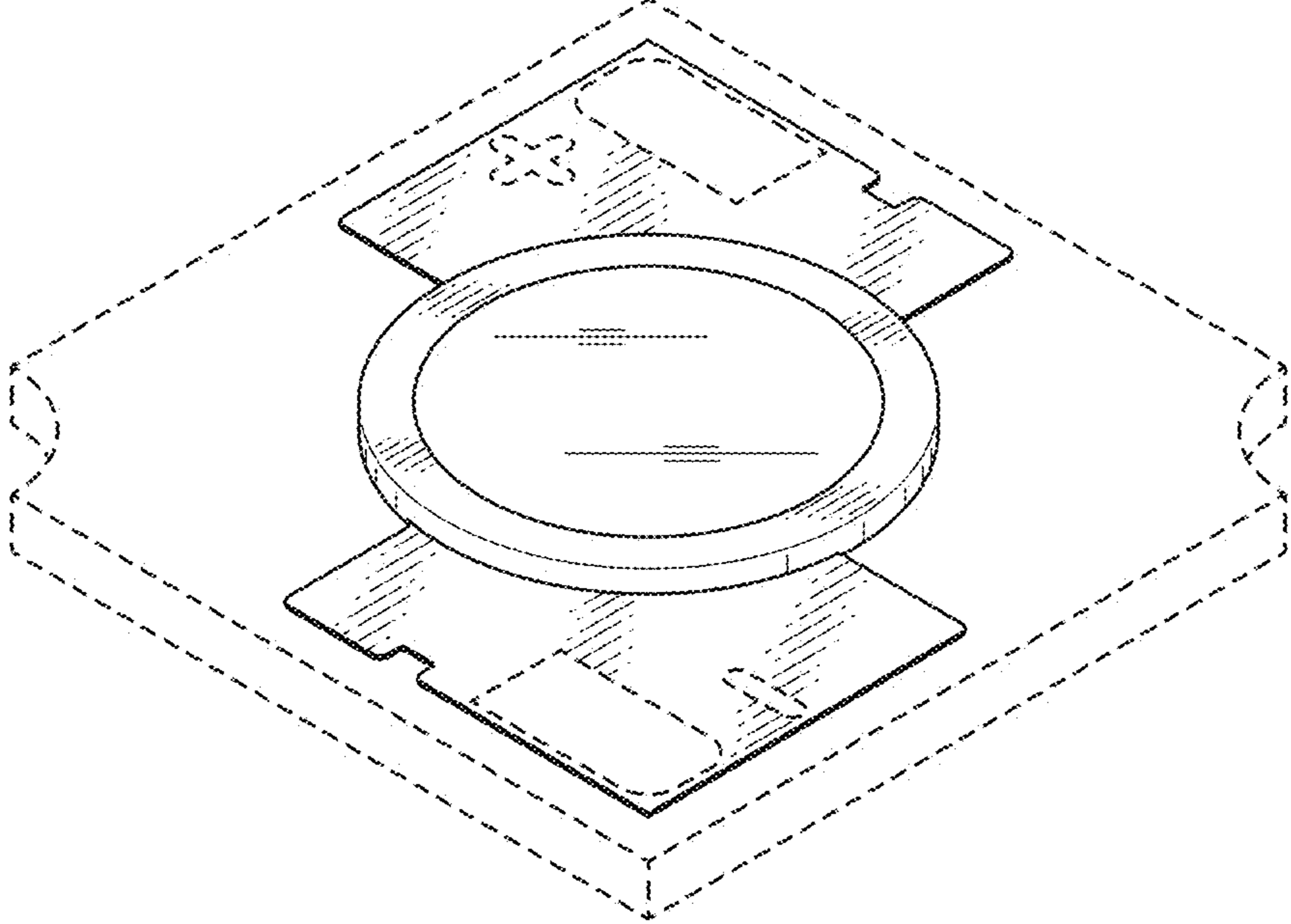


FIG. 2

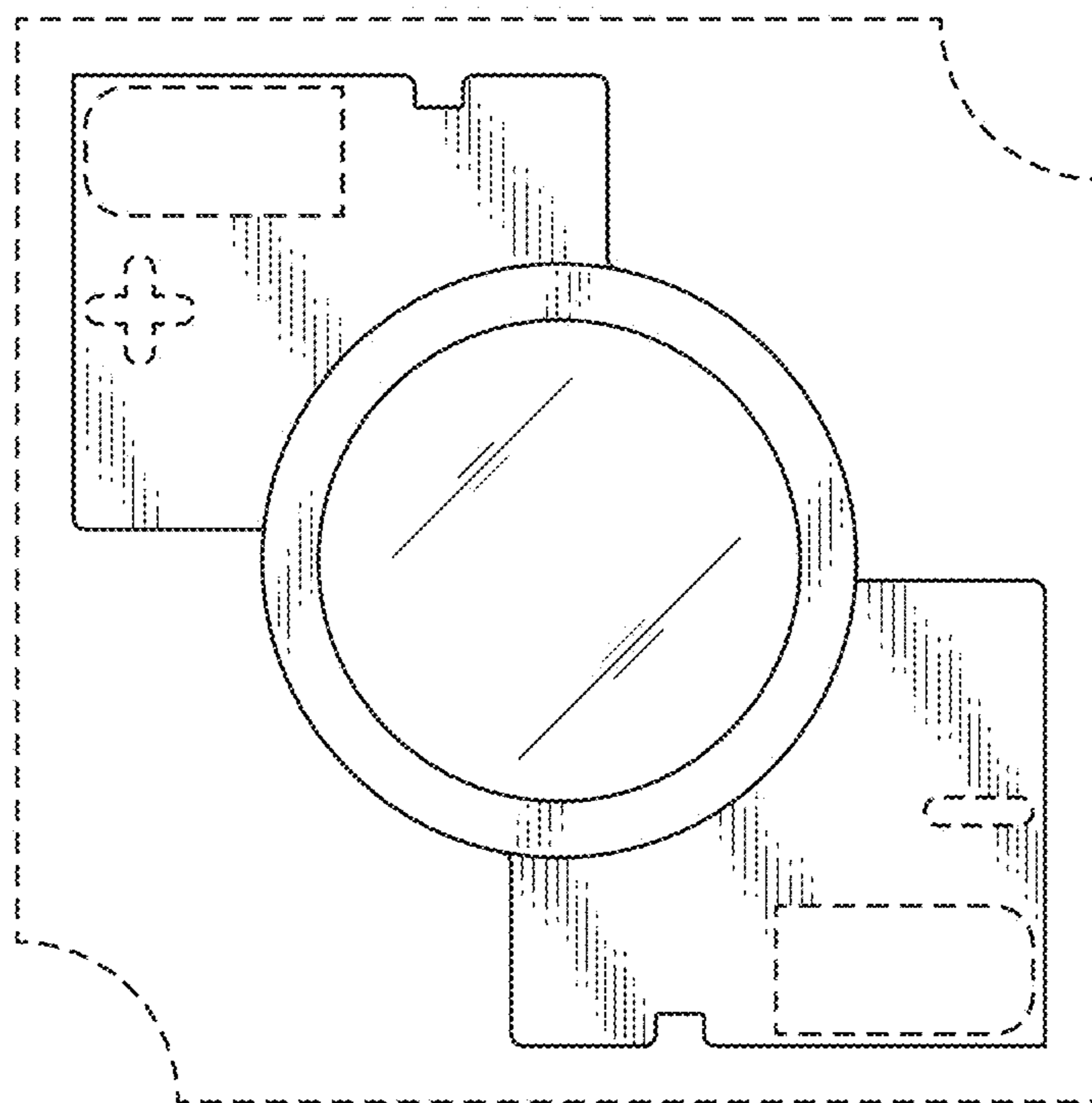


FIG. 3

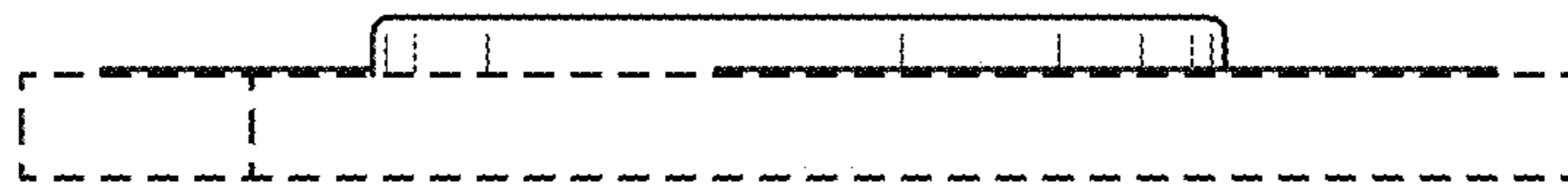


FIG. 4

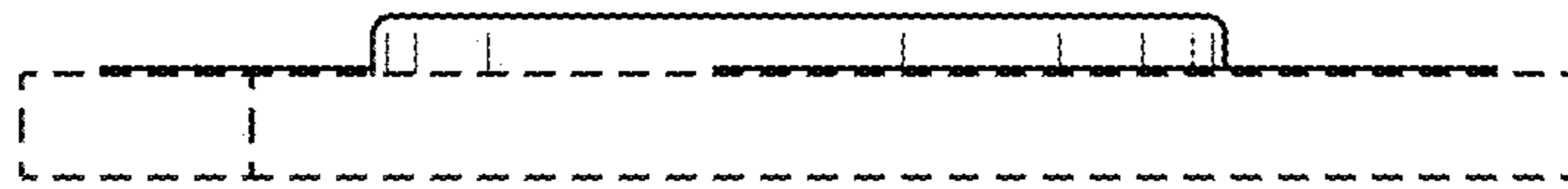


FIG. 5

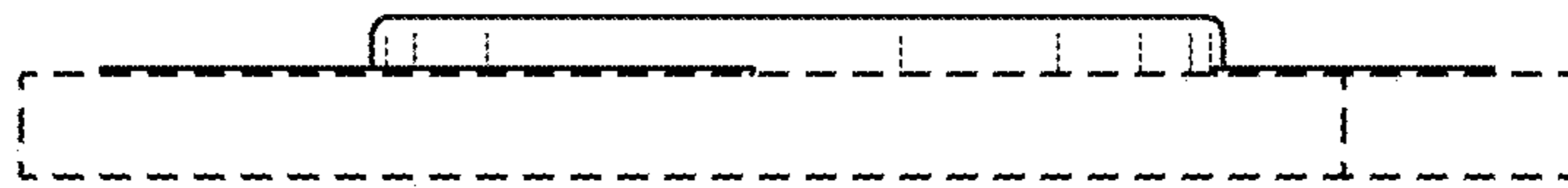


FIG. 6

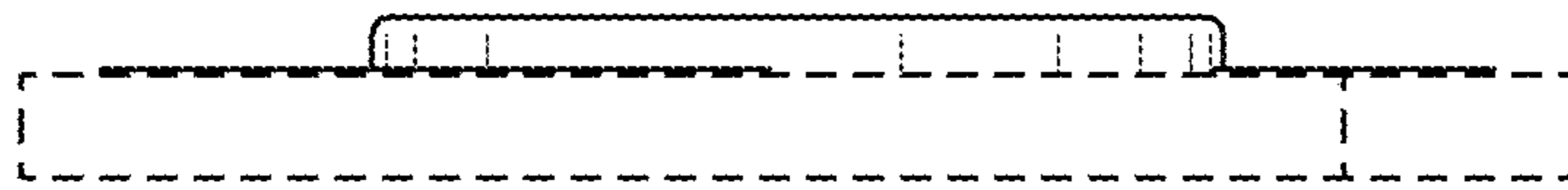


FIG. 7

