

US00D767514S

(12) **United States Design Patent** (10) **Patent No.:** **US D767,514 S**  
**Summers et al.** (45) **Date of Patent:** **\*\* Sep. 27, 2016**

(54) **SWITCH COVER**

OTHER PUBLICATIONS

(71) Applicant: **Safety Technology International, Inc.**,  
Waterford, MI (US)

Trademark Office Action dated Sep. 21, 2011 for U.S. Trademark  
Application No. 85/332,012 , 50 pages.

(Continued)

(72) Inventors: **Jonathan Summers**, Redditch (GB);  
**John Ockert**, Waterford, MI (US)

*Primary Examiner* — Selina Sikder

(73) Assignee: **Safety Technology International, Inc.**,  
Waterford, MI (US)

(74) *Attorney, Agent, or Firm* — Dinsmore & Shohl LLP

(\*\*) Term: **14 Years**

(57) **CLAIM**

(21) Appl. No.: **29/522,134**

We claim the ornamental design for a switch cover, as shown  
and described.

(22) Filed: **Mar. 27, 2015**

(51) **LOC (10) Cl.** ..... **13-03**

(52) **U.S. Cl.**  
USPC ..... **D13/177; D13/184; D10/106.95**

(58) **Field of Classification Search**  
USPC ..... **D13/152, 156, 158, 177, 184;**  
**D10/104.1, 106.1, 106.95; D14/240;**  
**174/50, 67**  
CPC ..... **H01H 9/02; H01H 9/287; H01H 83/04;**  
**H02G 3/08; H02G 3/081; H02G 3/088;**  
**H02G 3/14; H02G 3/121; G08B 25/12;**  
**G08B 29/18**

**DESCRIPTION**

See application file for complete search history.

FIG. 1 is a perspective view of the switch cover showing our  
new design;  
FIG. 2 is a front elevation view thereof;  
FIG. 3 a right side elevation view thereof;  
FIG. 4 is a left side elevation view thereof;  
FIG. 5 is a top plan view thereof;  
FIG. 6 is a bottom plan view thereof;  
FIG. 7 is a rear elevation view thereof;  
FIG. 8 is a perspective thereof shown with a spacer as  
environment;  
FIG. 9 is a front elevation view thereof;  
FIG. 10 a right side elevation view thereof;  
FIG. 11 is a left side elevation view thereof;  
FIG. 12 is a top plan view thereof;  
FIG. 13 is a bottom plan view thereof;  
FIG. 14 is a rear elevation view thereof;  
FIG. 15 is a perspective thereof shown with a spacer as  
environment;  
FIG. 16 is a front elevation view thereof;  
FIG. 17 a right side elevation view thereof;  
FIG. 18 is a left side elevation view thereof;  
FIG. 19 is a top plan view thereof;  
FIG. 20 is a bottom plan view thereof; and,  
FIG. 21 is a rear elevation view thereof.

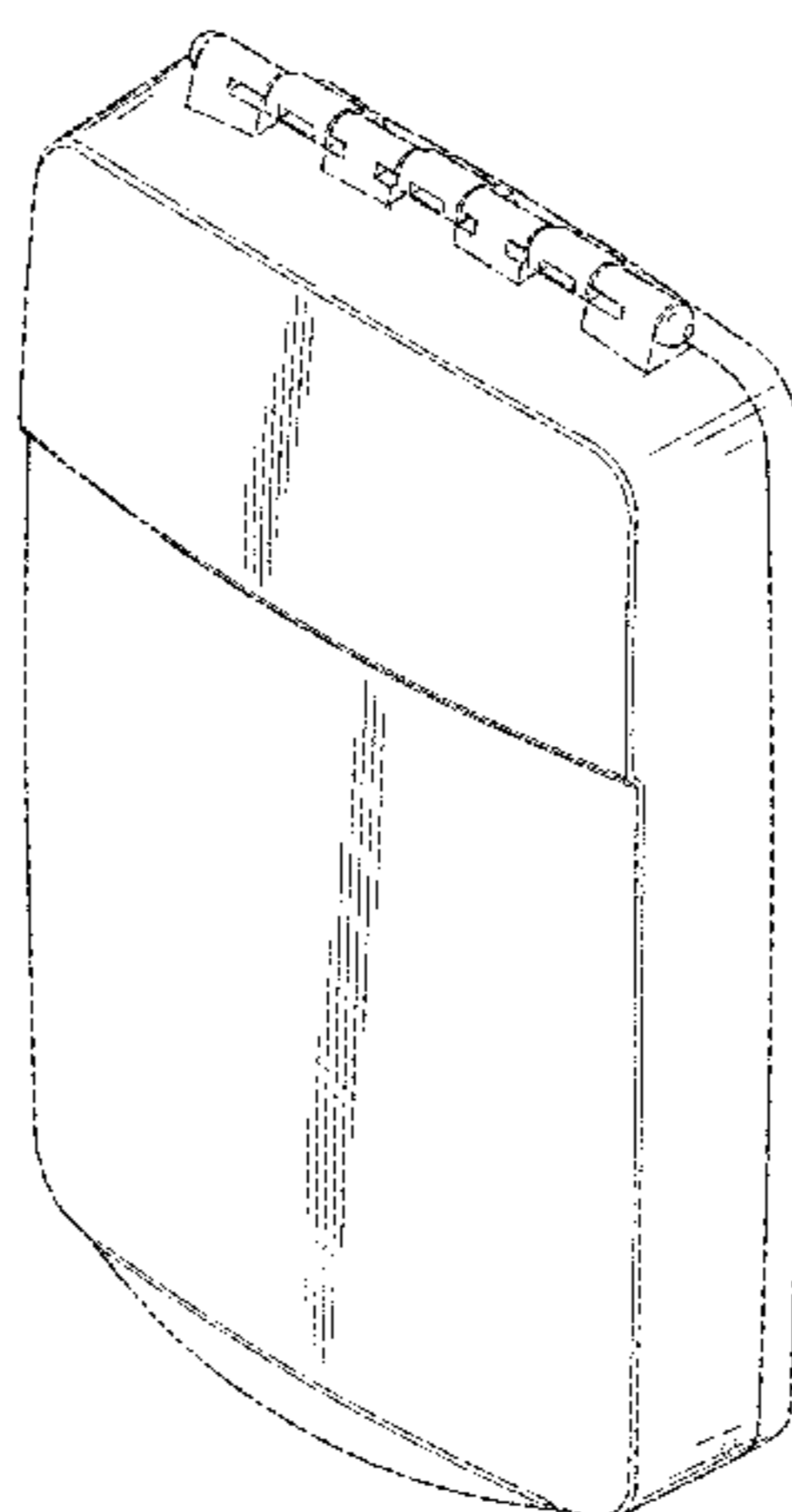
(56) **References Cited**

U.S. PATENT DOCUMENTS

4,267,549 A \* 5/1981 Taylor ..... G08B 29/046  
340/297  
5,760,678 A \* 6/1998 Pavlacka ..... G08B 25/12  
340/287  
D400,512 S \* 11/1998 Korhonen ..... D13/184  
5,955,939 A \* 9/1999 Taylor ..... G08B 25/12  
200/333  
D428,602 S \* 7/2000 Taylor ..... D13/156  
D432,503 S \* 10/2000 Taylor ..... D10/106.1  
D438,532 S \* 3/2001 Gargani ..... D14/240  
D450,664 S \* 11/2001 Smith ..... D13/177  
D473,221 S \* 4/2003 Gargani ..... D14/240  
D478,832 S \* 8/2003 Dipple ..... D10/106.1  
D499,069 S \* 11/2004 Stanush ..... D13/152

(Continued)

**1 Claim, 16 Drawing Sheets**



(56)

References Cited

U.S. PATENT DOCUMENTS

D500,746 S \* 1/2005 Gavel ..... D13/184  
 D543,513 S \* 5/2007 Allen ..... D13/184  
 7,572,975 B2 \* 8/2009 Rauhley ..... H02G 3/10  
 174/50  
 7,915,528 B2 \* 3/2011 Ni ..... H01R 13/5213  
 174/50  
 7,968,794 B1 \* 6/2011 Baldwin ..... H02G 3/18  
 174/66  
 D664,054 S \* 7/2012 Varieur ..... G08B 17/02  
 D10/106.95  
 D669,440 S \* 10/2012 Wu ..... D13/162  
 D693,718 S \* 11/2013 Romine  
 D695,640 S \* 12/2013 George ..... D10/106.1  
 8,816,201 B1 \* 8/2014 Shotey ..... H02G 3/14  
 174/66  
 8,963,001 B2 \* 2/2015 Shotey ..... H02G 3/14  
 174/481  
 9,219,357 B1 \* 12/2015 Elbaz ..... H02G 3/081  
 9,277,121 B2 \* 3/2016 Kozko ..... H04N 5/23238  
 2004/0074656 A1 \* 4/2004 Bloodworth ..... H02G 3/14  
 174/50  
 2005/0078701 A1 \* 4/2005 Atkinson ..... H02G 3/14  
 370/463  
 2007/0063821 A1 \* 3/2007 Finkle ..... G08B 29/18  
 340/287  
 2008/0110661 A1 \* 5/2008 Dinh ..... H01R 13/5213  
 174/53  
 2009/0283291 A1 \* 11/2009 Ni ..... H01R 13/5213  
 174/67  
 2010/0078189 A1 \* 4/2010 Leopold ..... H02G 3/14  
 174/50.5  
 2010/0181091 A1 \* 7/2010 Drane ..... H02G 3/14  
 174/66

2012/0048590 A1 \* 3/2012 Drane ..... H02G 3/14  
 174/67  
 2013/0169422 A1 \* 7/2013 Varieur ..... G08B 17/02  
 340/286.05  
 2014/0110144 A1 \* 4/2014 Shotey ..... H02G 3/14  
 174/67

OTHER PUBLICATIONS

Response to Office Action received from USPTO for Trademark Application No. 85/332,012, filed Mar. 21, 2012, 59 pages.  
 STI Stopper II Product Overview, Safety Technology International, Inc., 2 pages, (Believed to have been offered for sale, publicly used and published prior to the filing of this application).  
 Mini Stopper without Horn Flush Mount STI-6500, Safety Technology International, Inc. Internet Search, 1 page. (Believed to have been offered for sale, publicly used and published prior to the filing of this application).  
 Stopper Station with Stopper Station Shield with Sound SS-20A0F, Safety Technology International, Inc. Internet Search, 1 page (Believed to have been offered for sale, publicly used and published prior to the filing of this application).  
 Universal Stopper Without Horn, Enclosed Backbox, Open Mounting Plate, Fire Label, STI-13510FR, Universal Stopper Without Horn, Enclosed Backbox, Sealed Mounting Plate, STI-13410FR, Safety Technology International, Inc. Internet Search, 2 pages (Believed to have been offered for sale, publicly used and published prior to the filing of this application).  
 STI Universal Stopper, Product Overview Sheet, Polycarbonate Products, Safety Technology International, Inc. 2 pages (Believed to have been offered for sale, publicly used and published prior to the filing of this application).  
 Registration Certificate U.S. Pat. No. 4,192,877, registered Aug. 21, 2012, Serial No. 85/332,012, filed May 27, 2011, 1 page.

\* cited by examiner

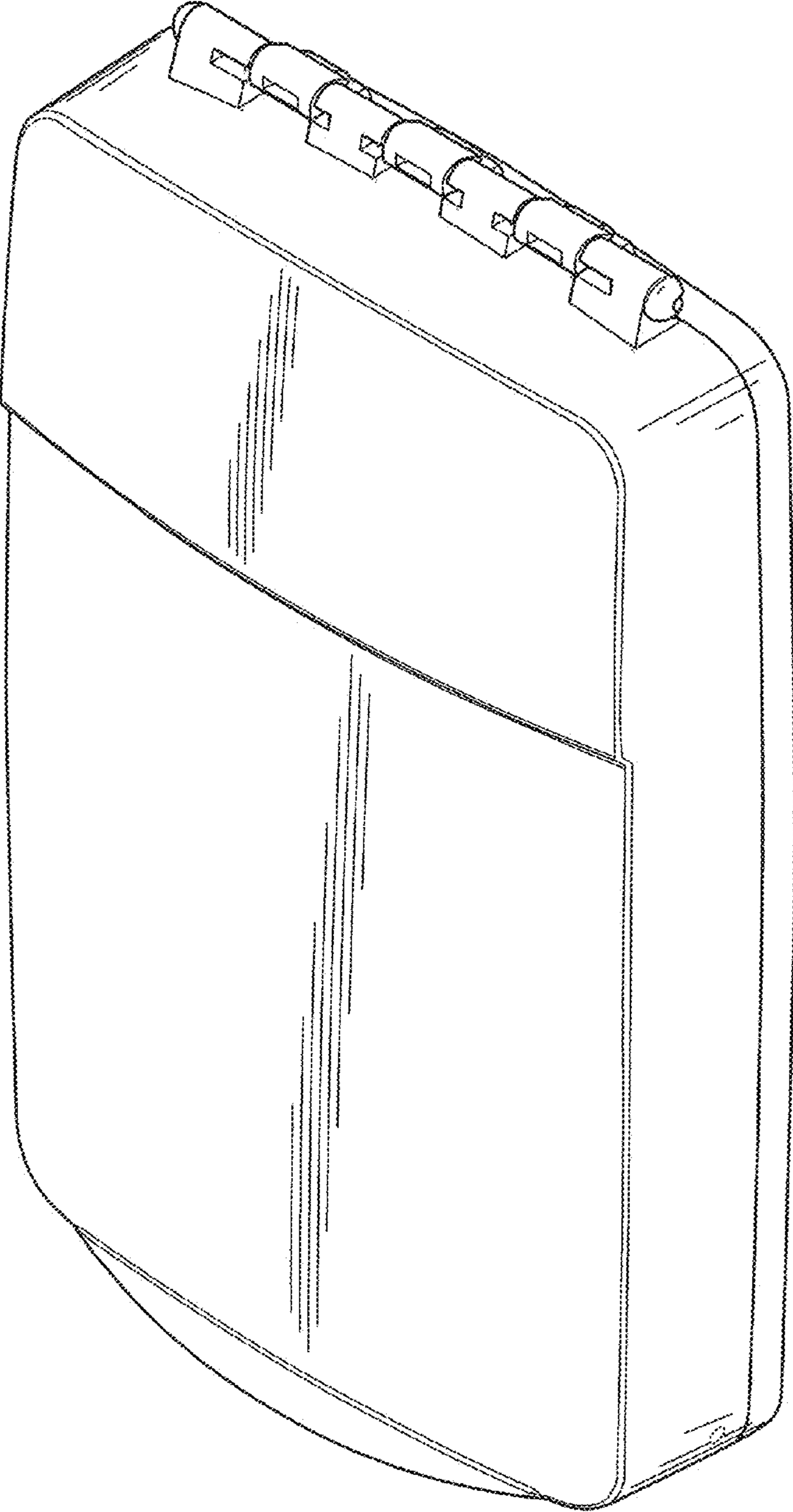


FIG. 1

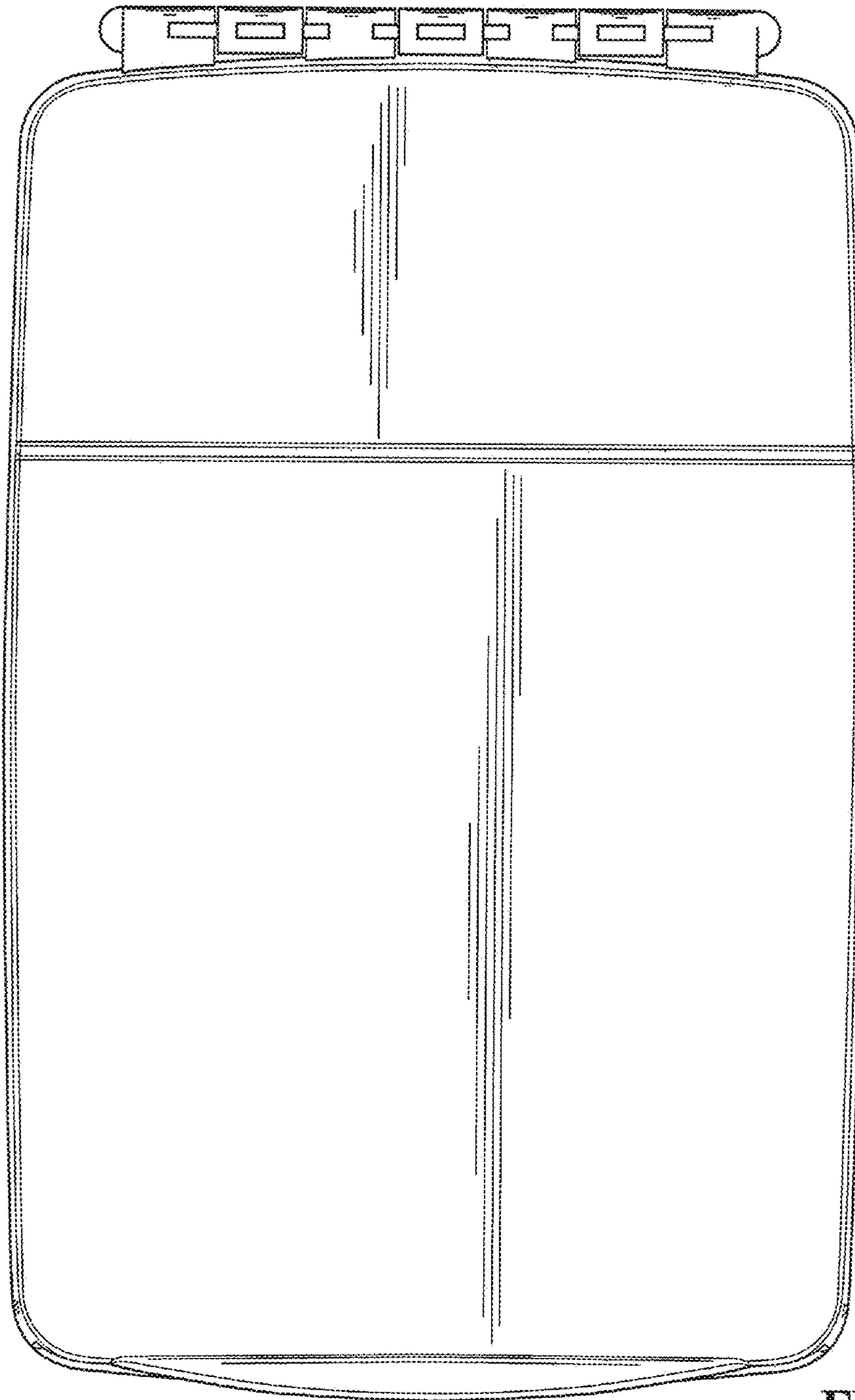


FIG. 2

FIG. 3

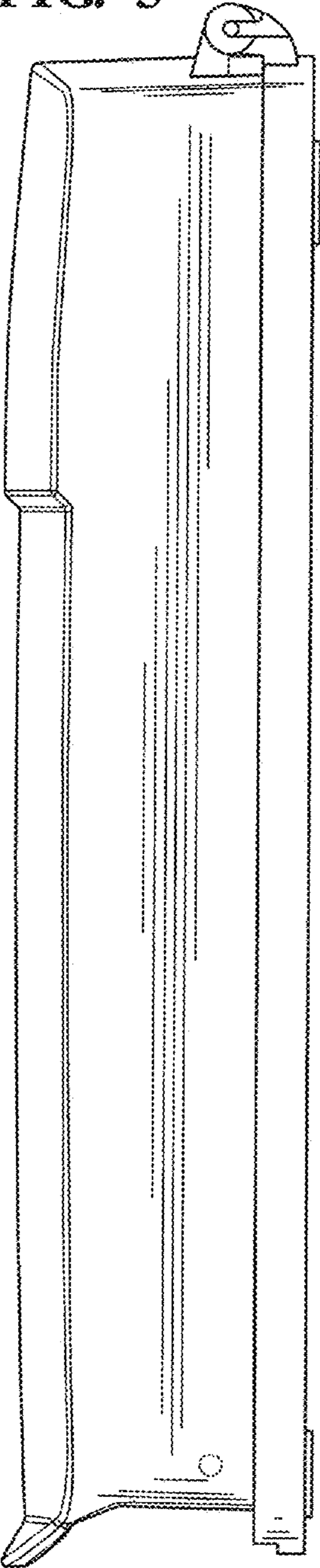
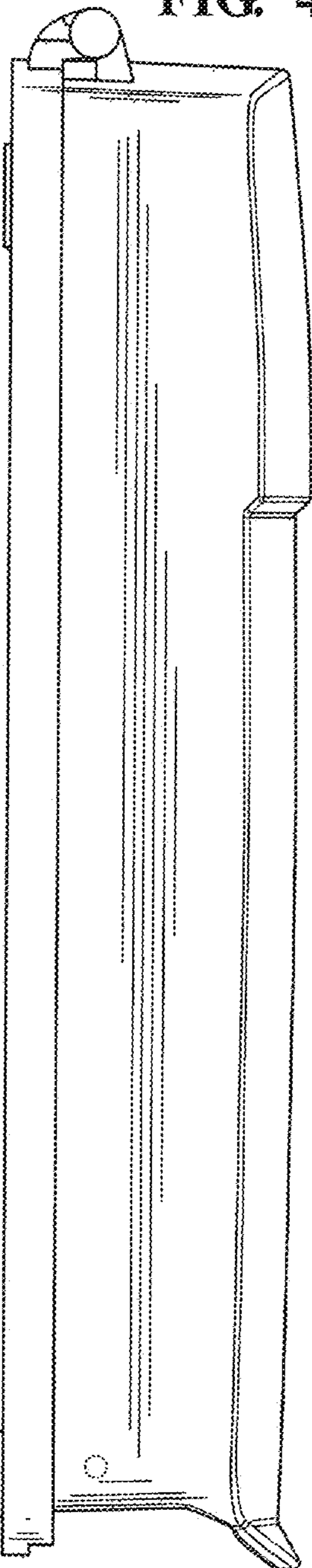


FIG. 4



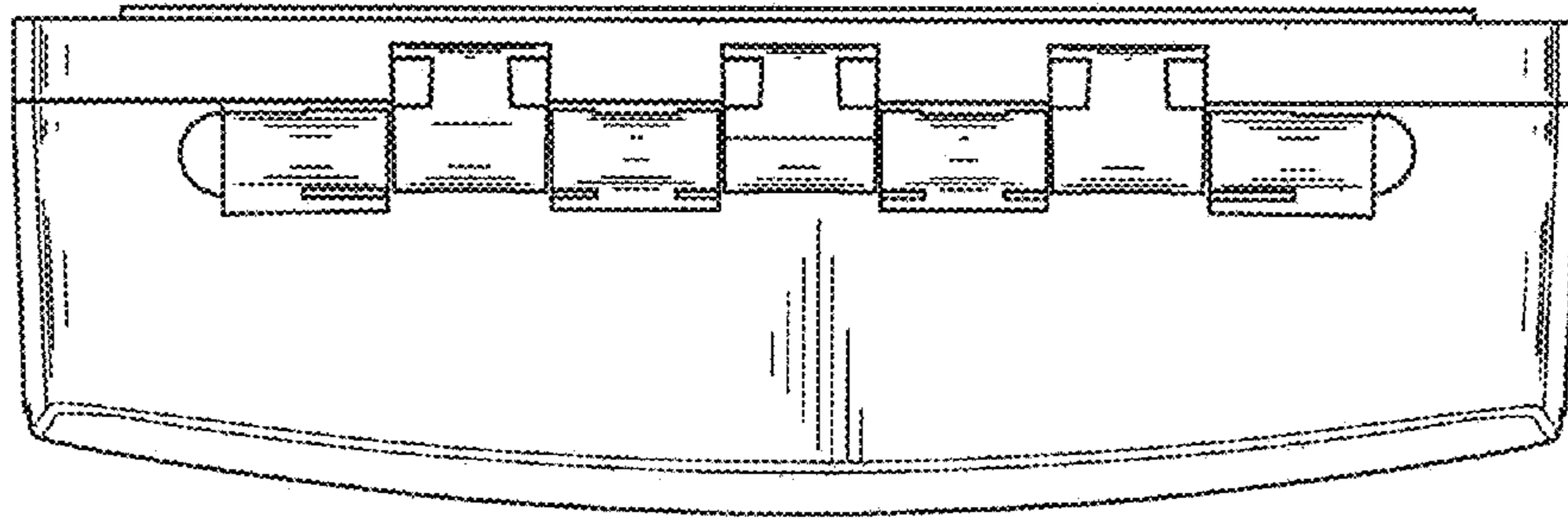


FIG. 5

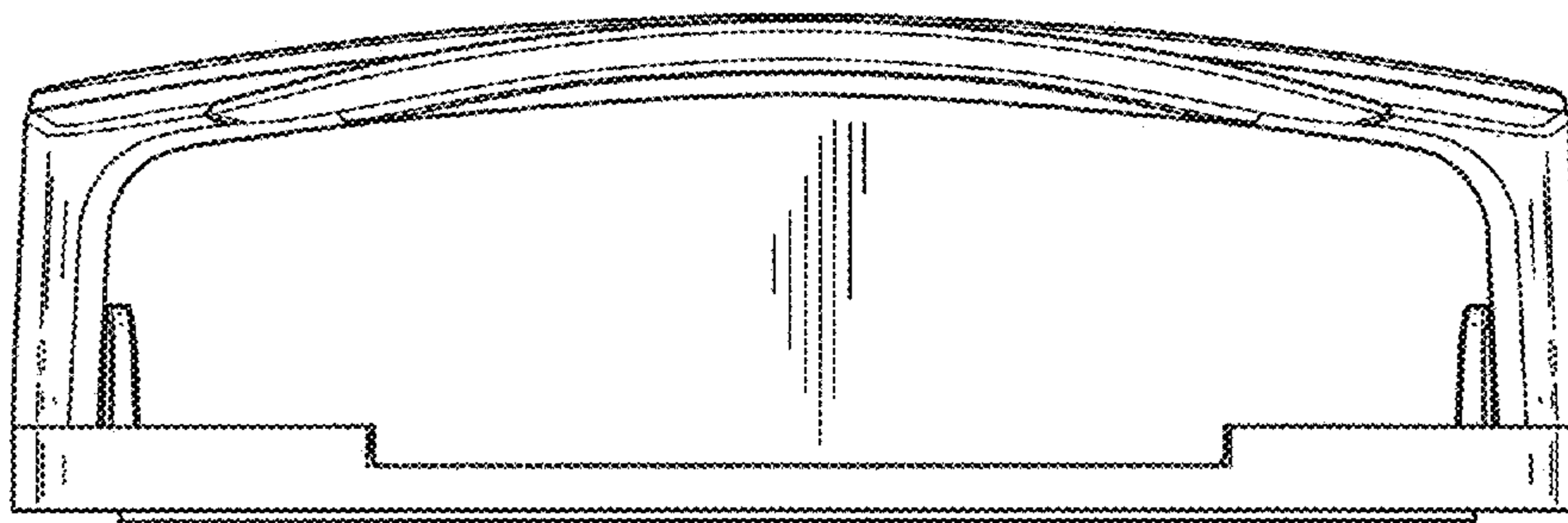


FIG. 6

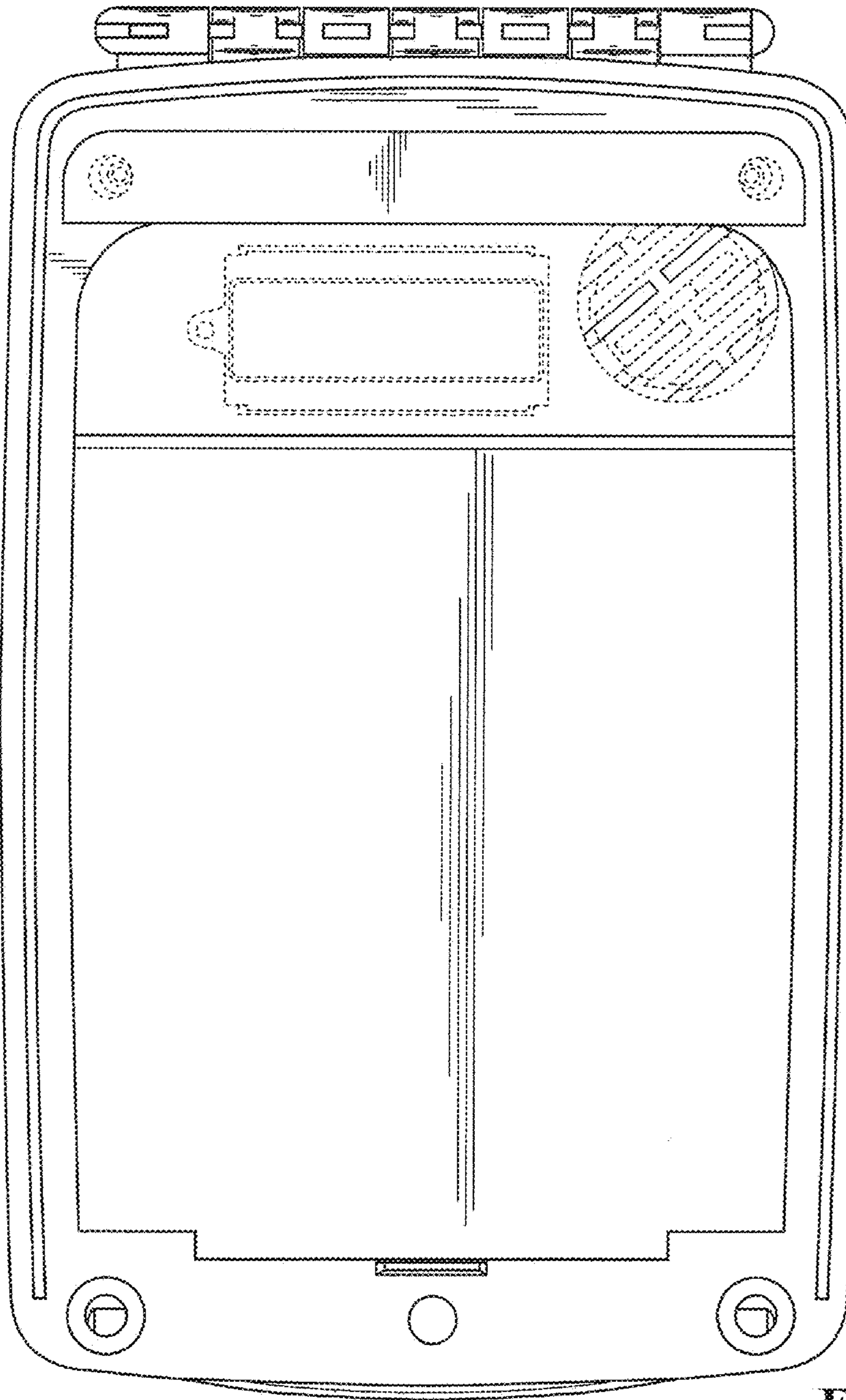


FIG. 7

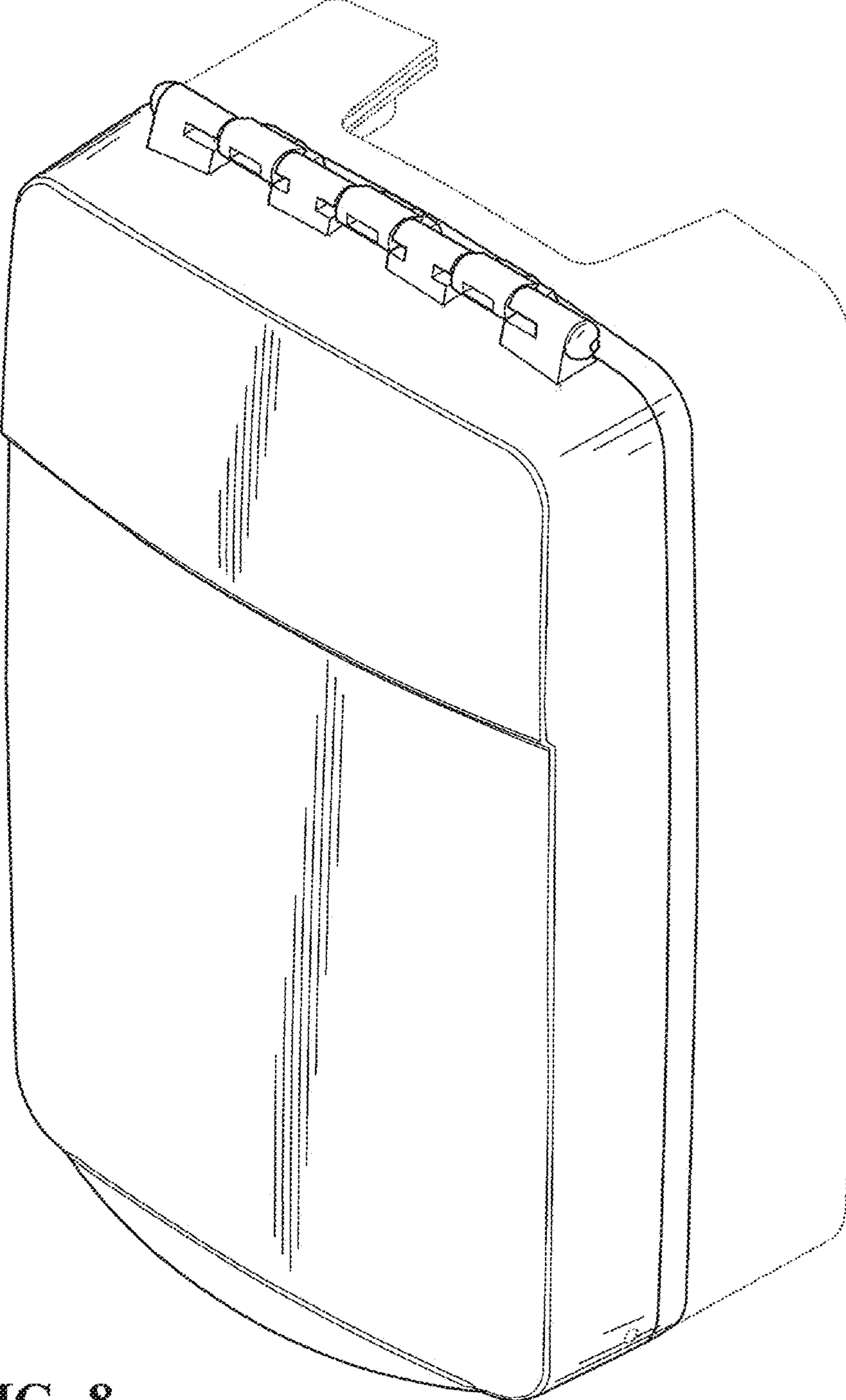


FIG. 8



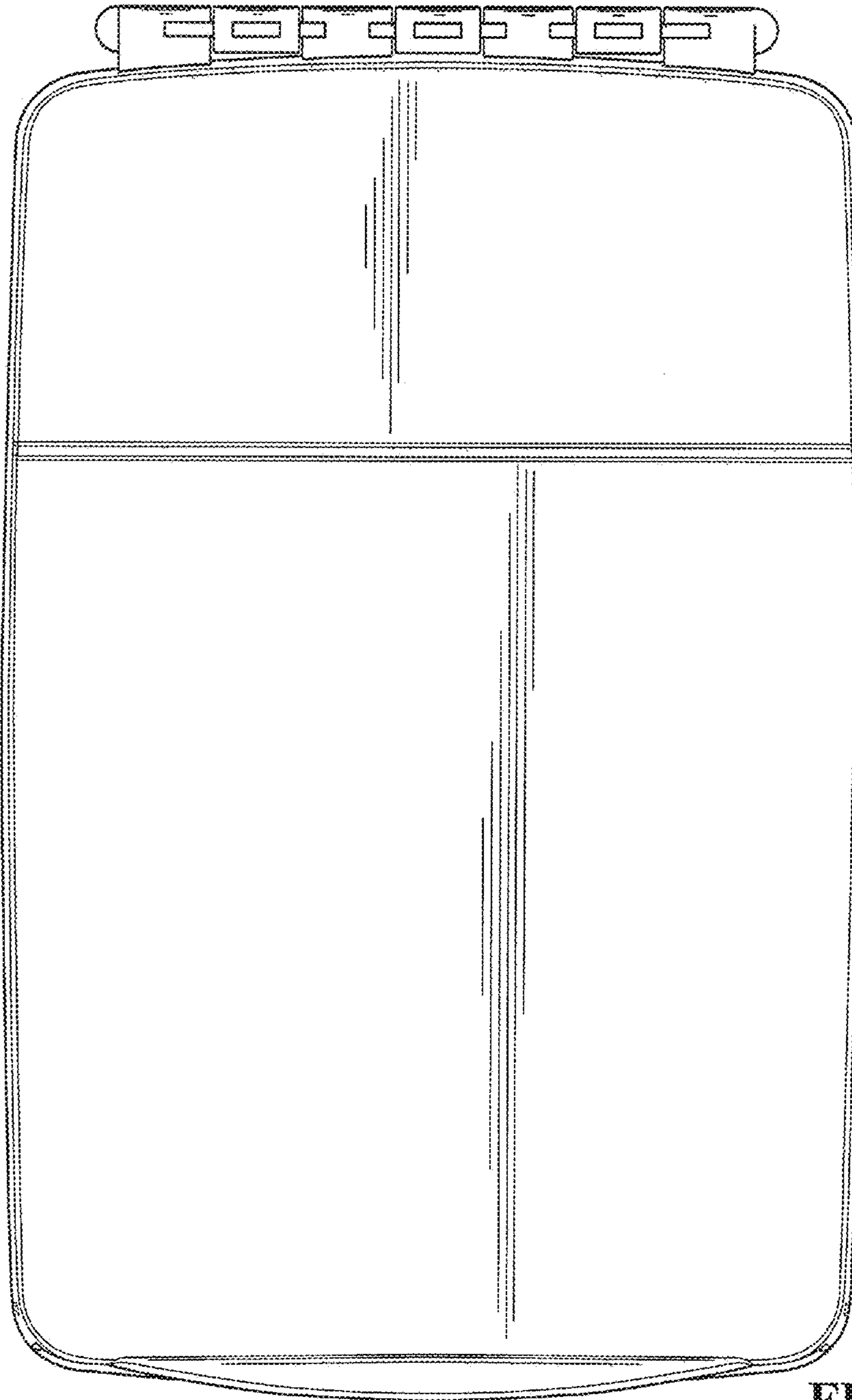


FIG. 9

FIG. 10

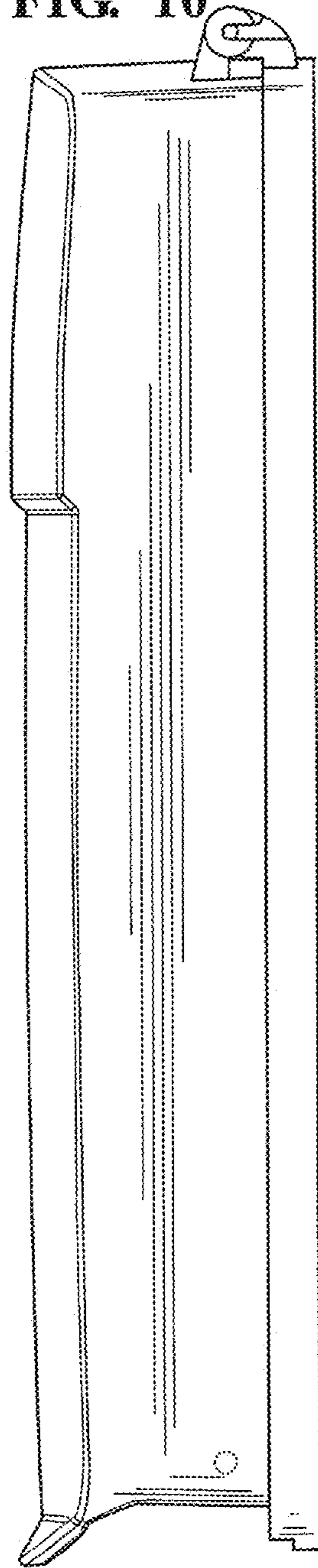
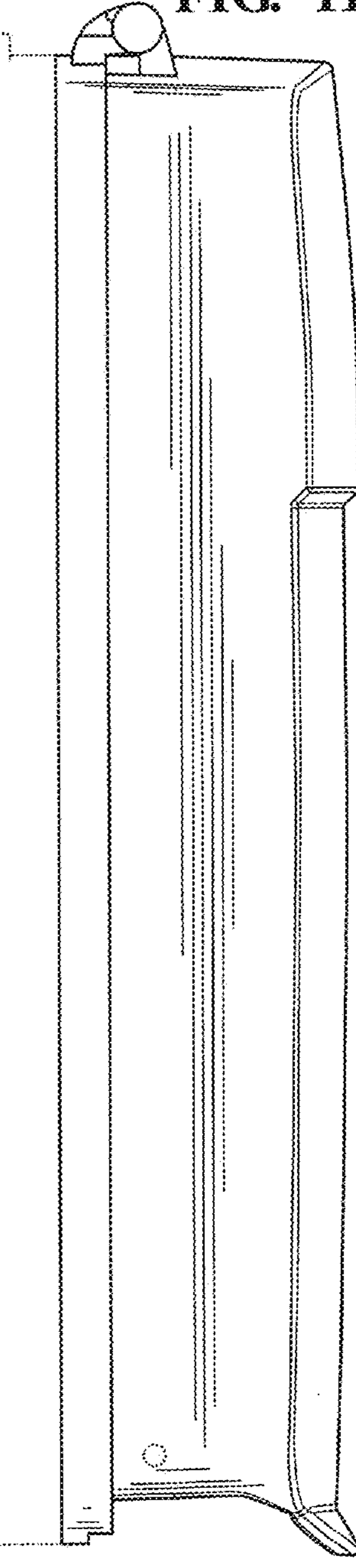


FIG. 11



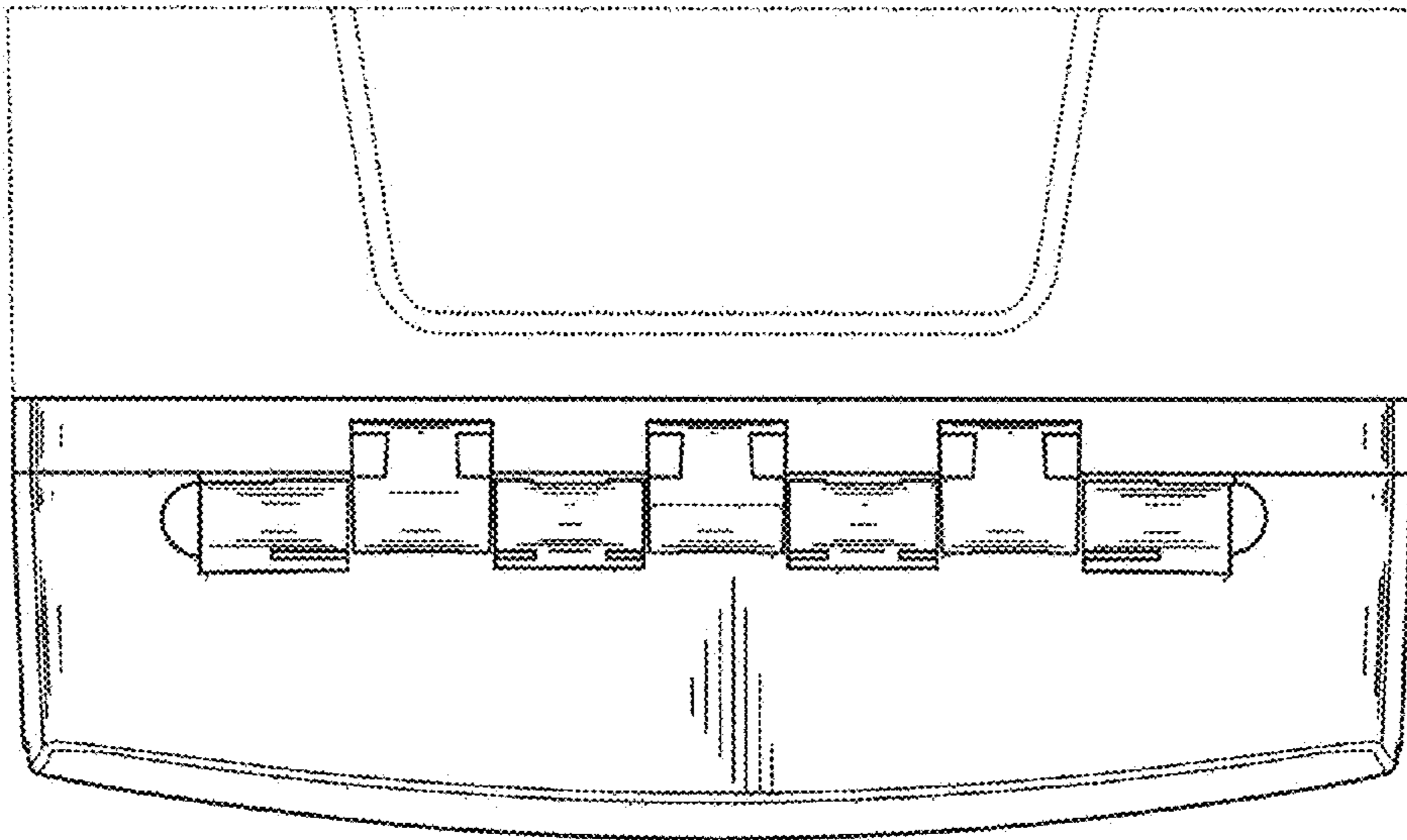


FIG. 12

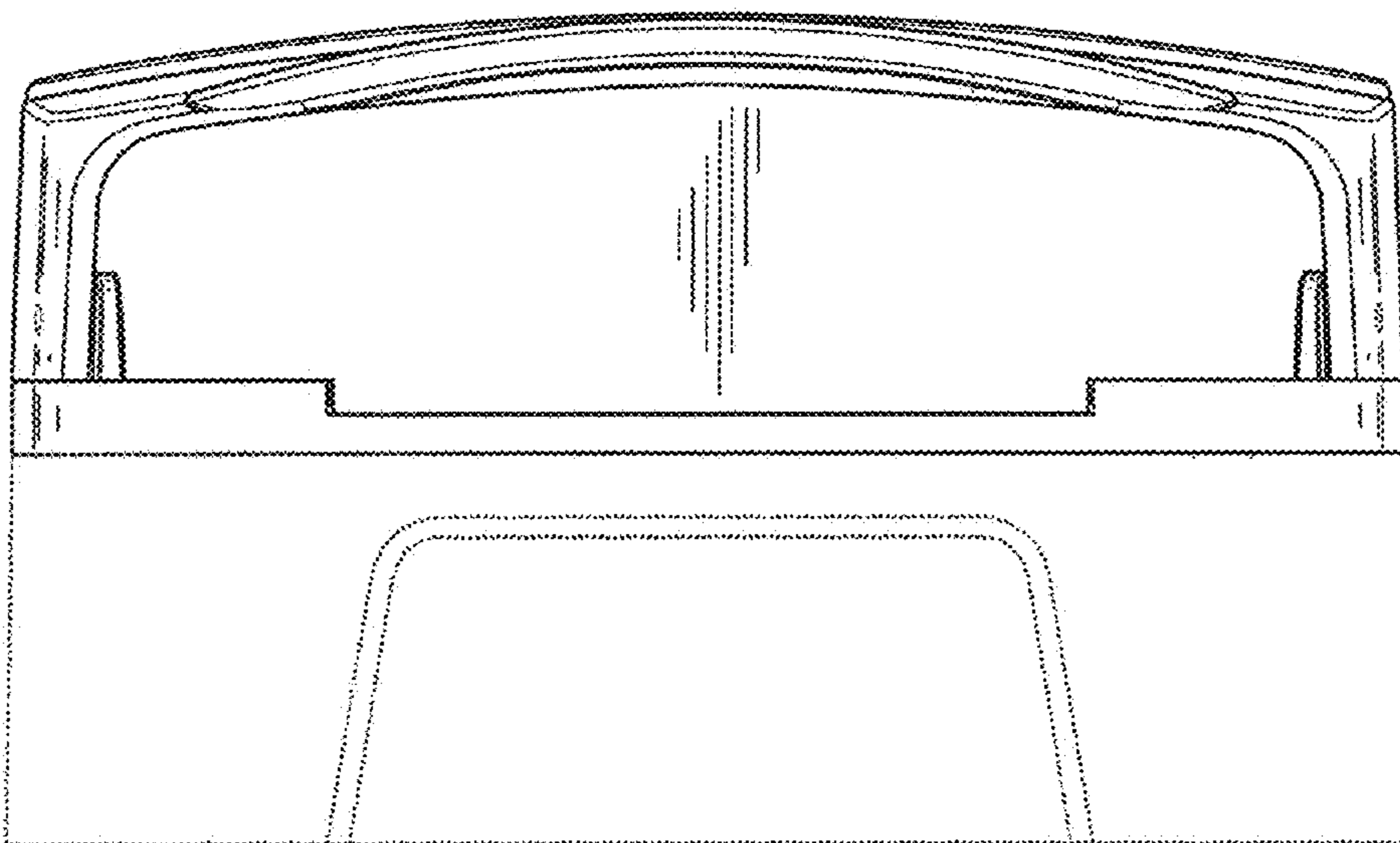


FIG. 13

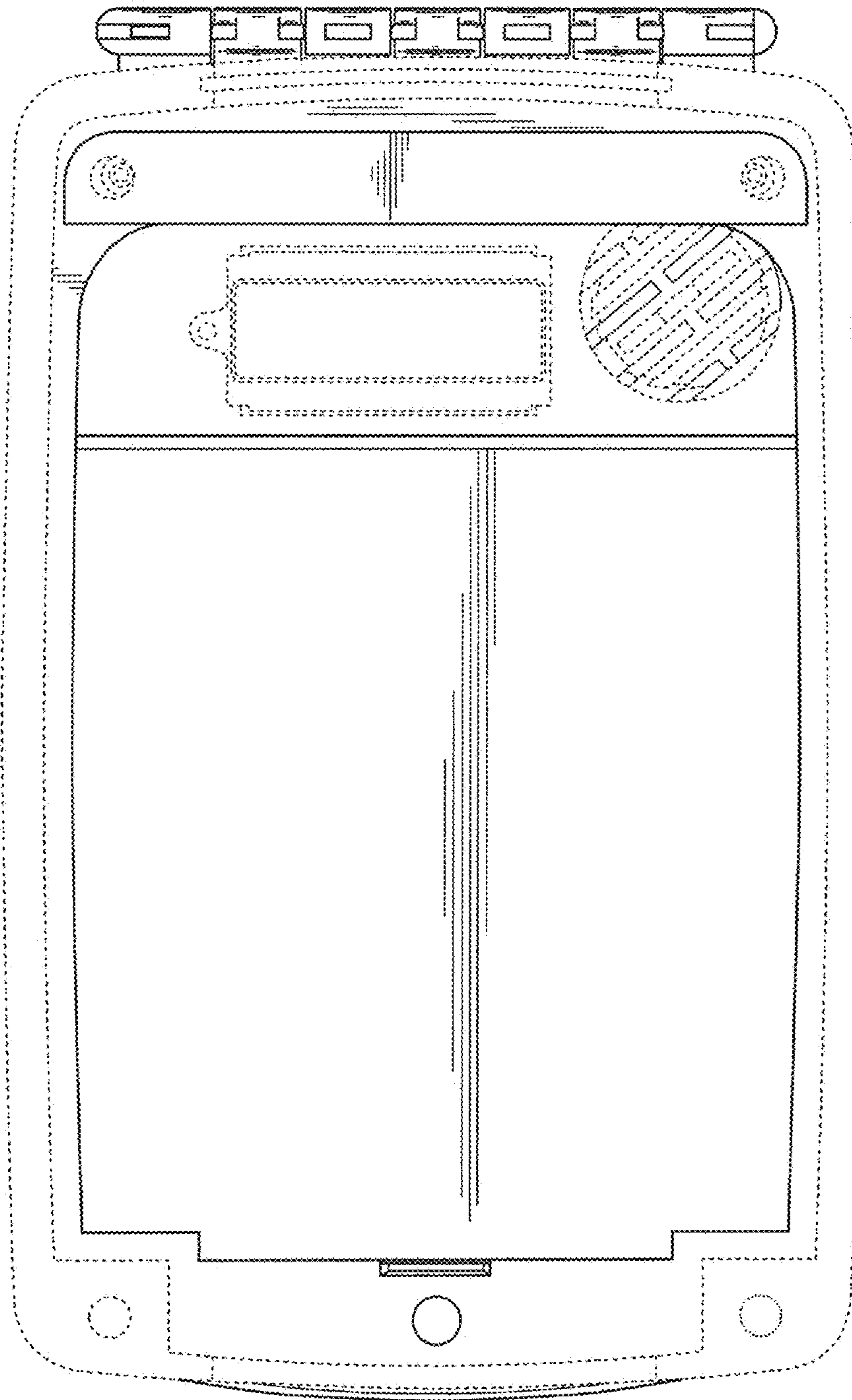


FIG. 14

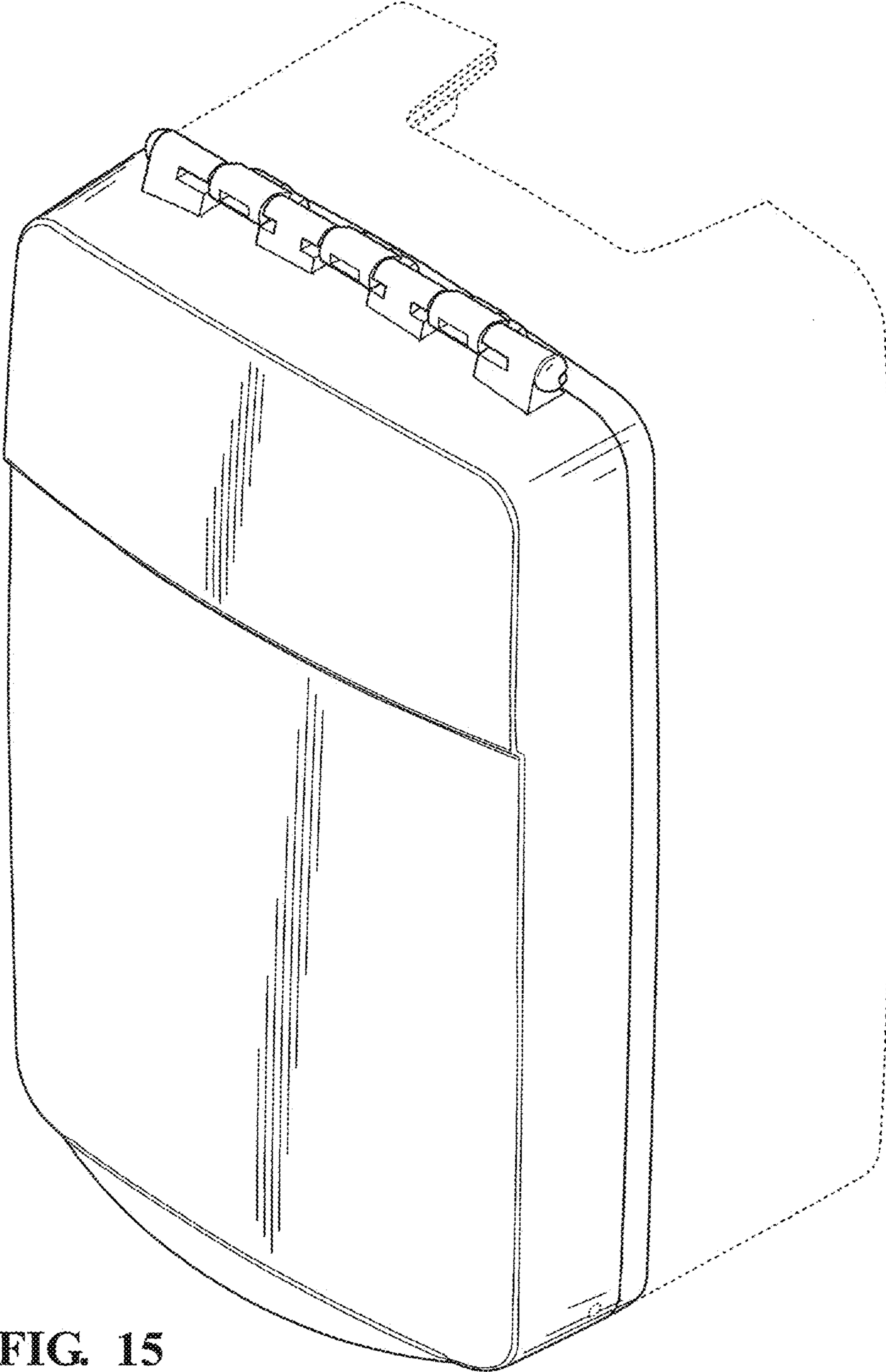


FIG. 15

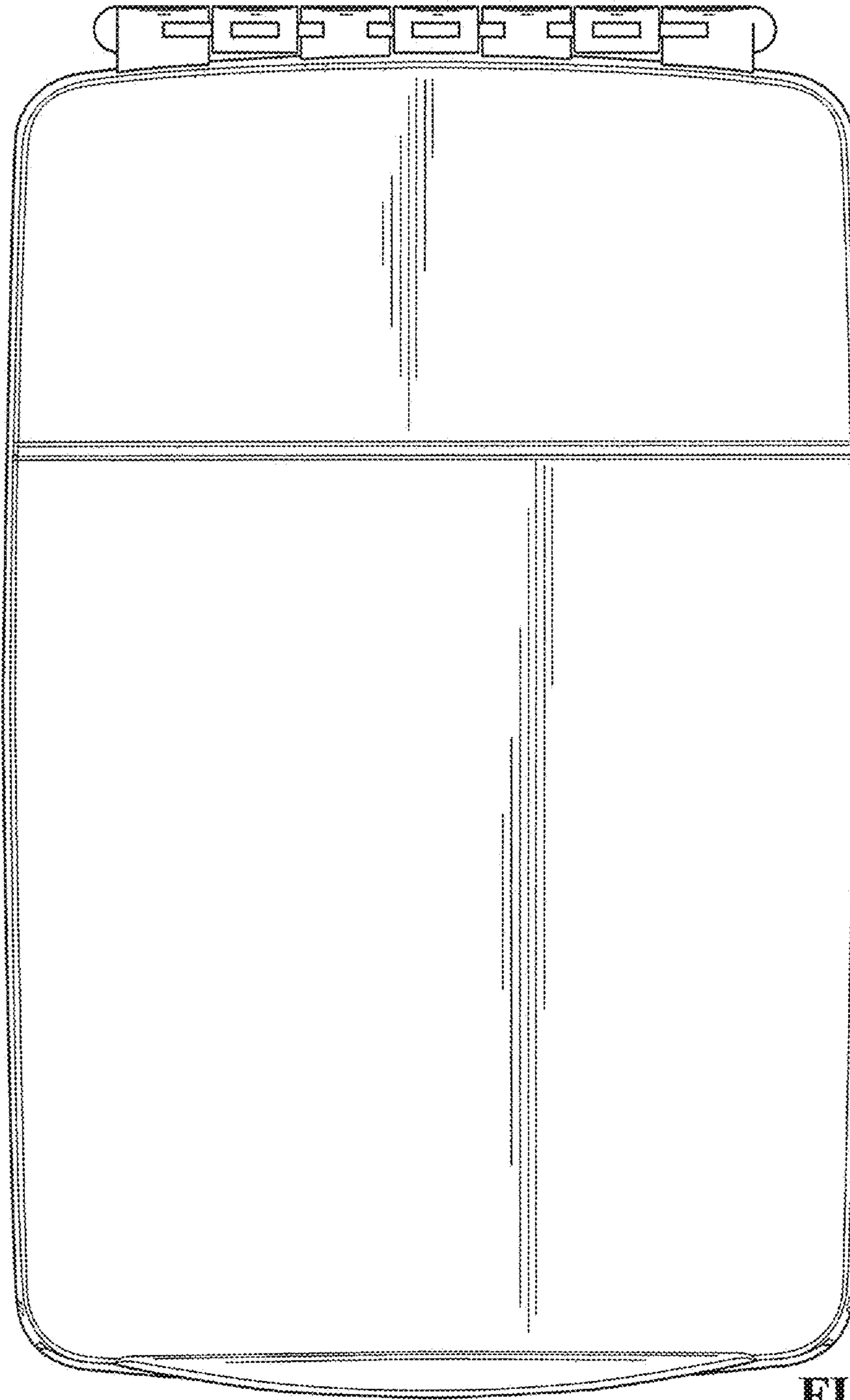


FIG. 16

FIG. 17

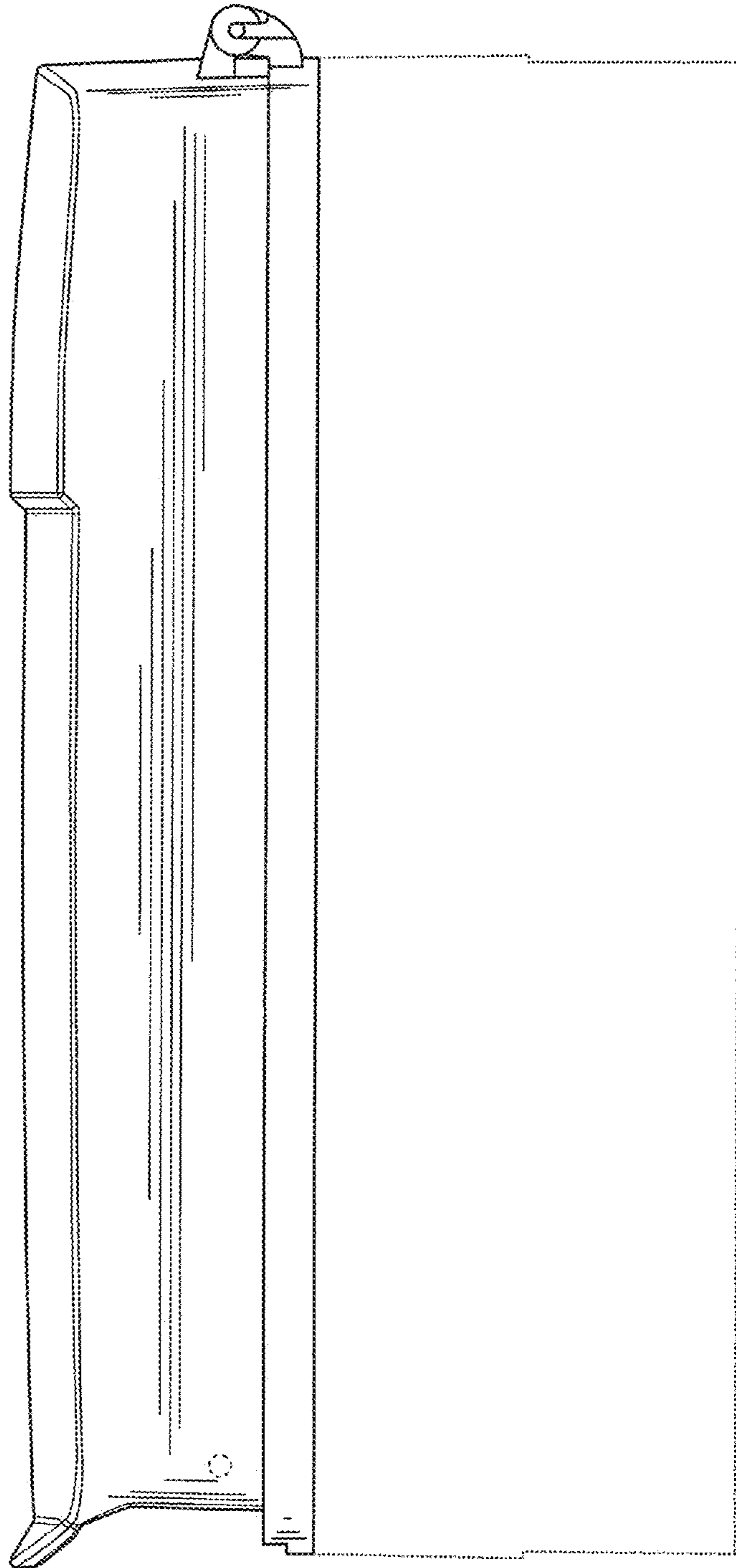
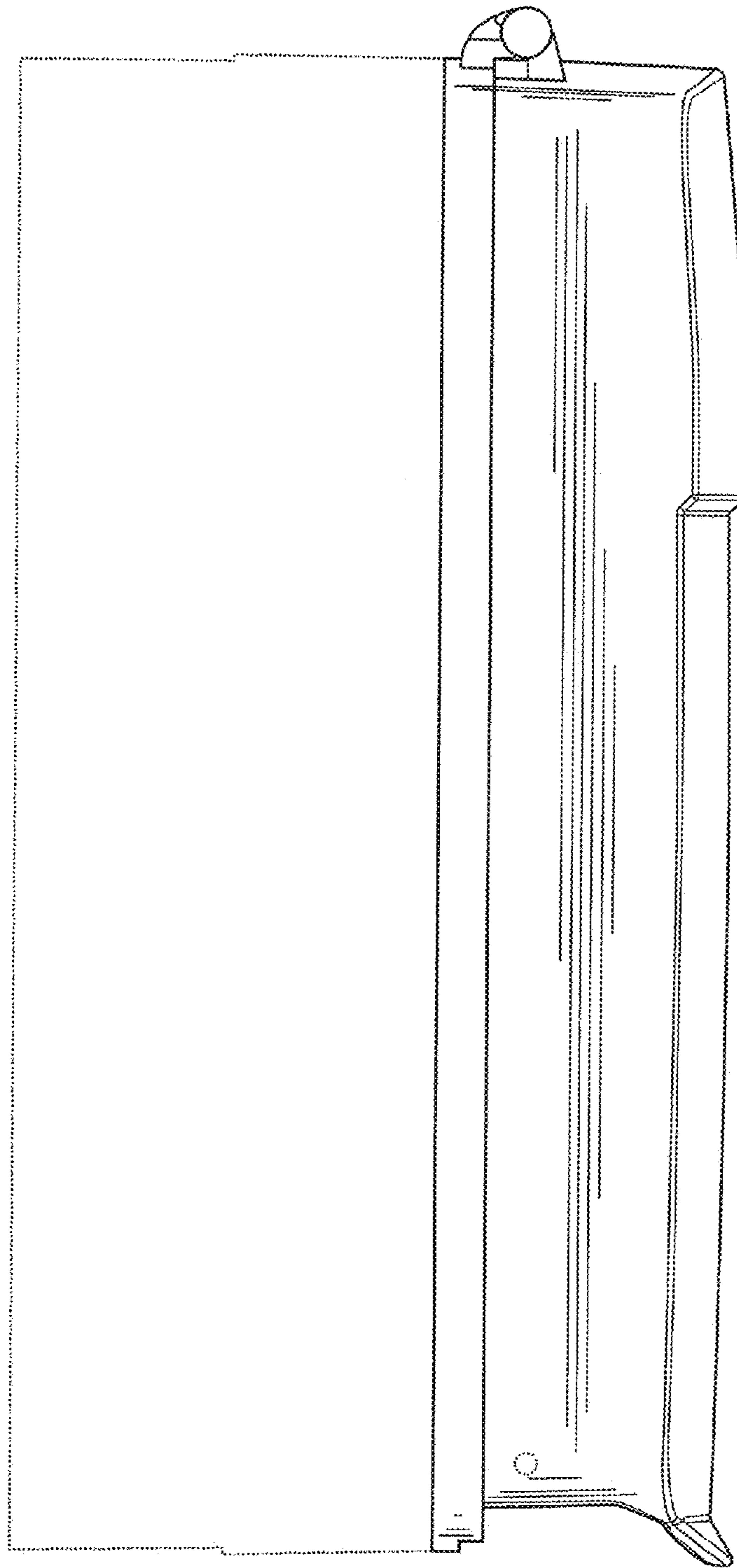


FIG. 18





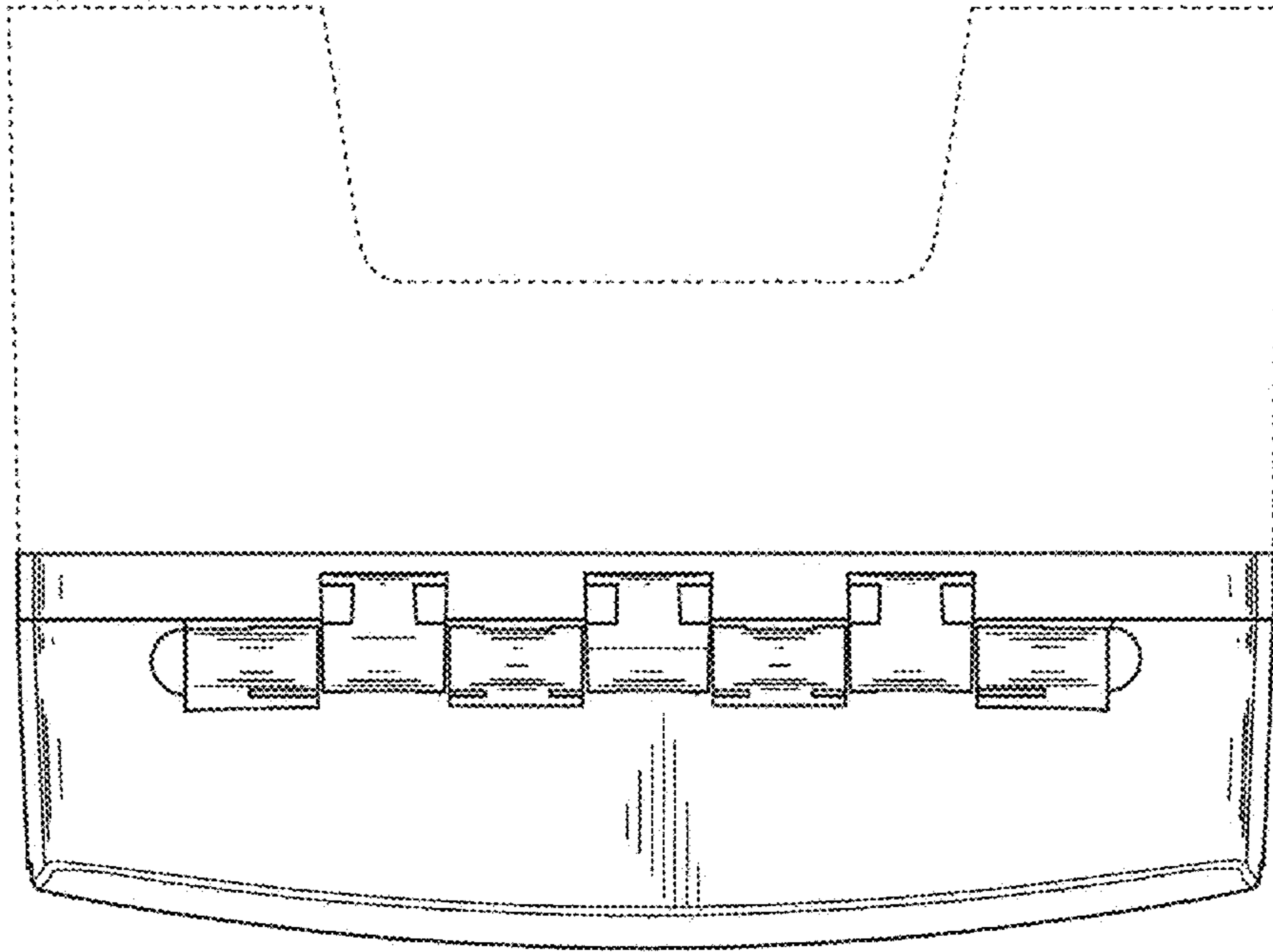


FIG. 19

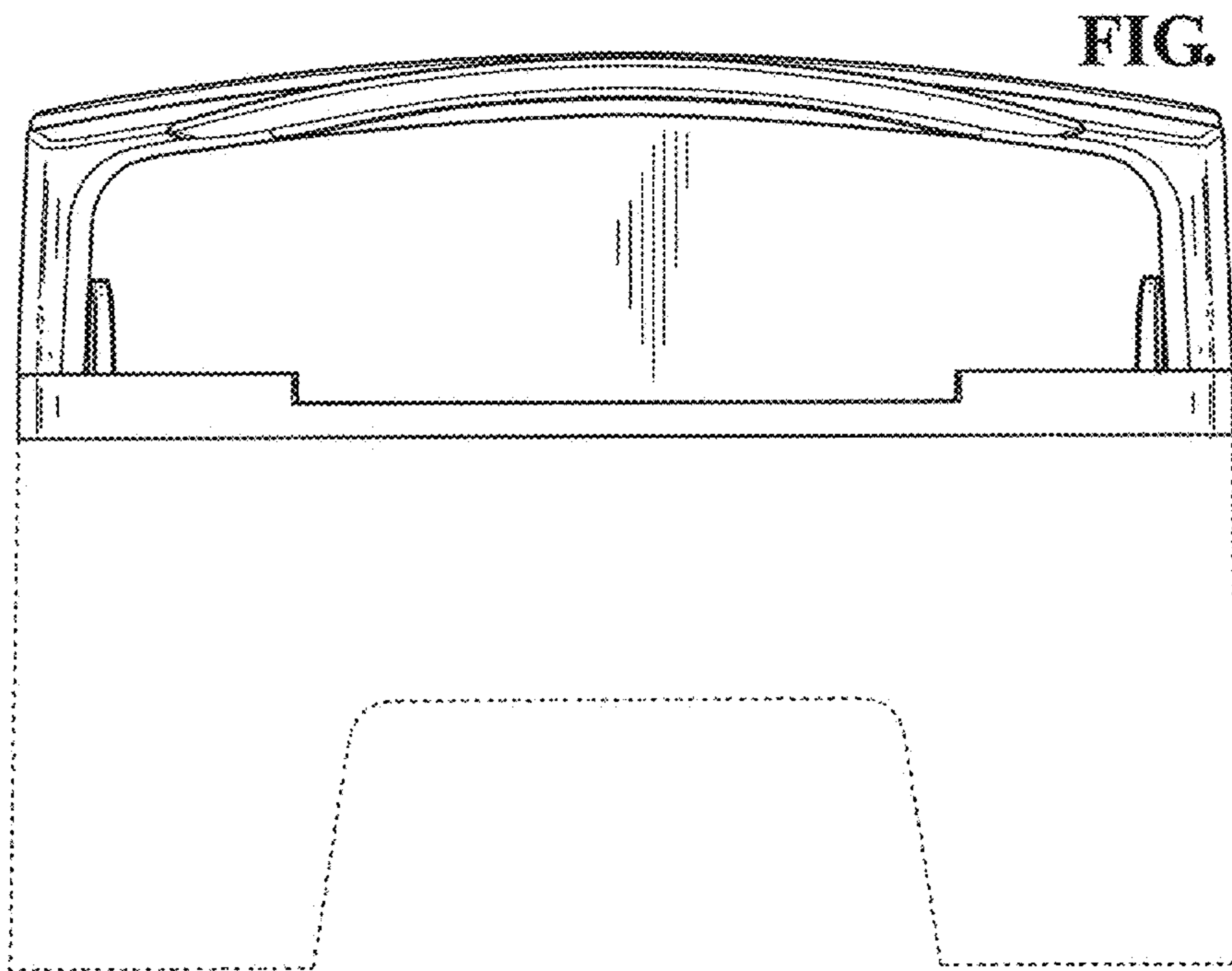


FIG. 20

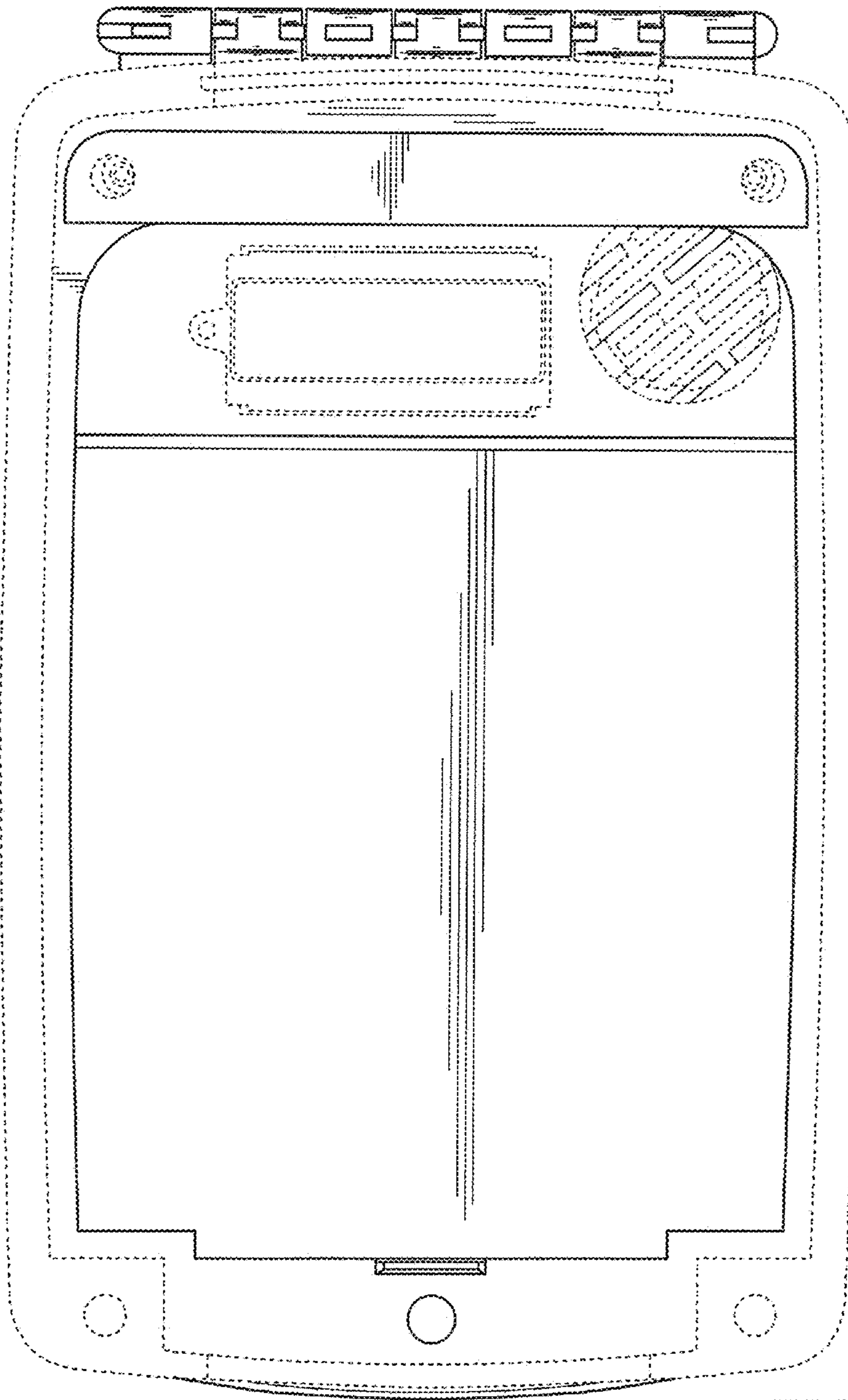


FIG. 21