



US00D767512S

(12) **United States Design Patent** (10) **Patent No.:** **US D767,512 S**  
**Zheng et al.** (45) **Date of Patent:** **\*\* Sep. 27, 2016**

(54) **CAM SWITCH**

(71) Applicant: **ABB Oy**, Helsinki (FI)

(72) Inventors: **Qifeng Zheng**, Quanzhou (CN);  
**Qishun Guo**, Xiamen SEZ (CN);  
**Xinde Lin**, WenLing (CN); **Jiejun Lu**,  
Xiamen SEZ (CN); **Shujing Ye**,  
Xiamen SEZ (CN)

(73) Assignee: **ABB OY**, Helsinki (FI)

(\*\*) Term: **15 Years**

(21) Appl. No.: **29/531,200**

(22) Filed: **Jun. 24, 2015**

**Related U.S. Application Data**

(62) Division of application No. 29/443,102, filed on Jan. 14, 2013, now Pat. No. Des. 738,322.

(30) **Foreign Application Priority Data**

Jul. 16, 2012 (CN) ..... 2012 3 0328647

(51) **LOC (10) Cl.** ..... **13-03**

(52) **U.S. Cl.**  
USPC ..... **D13/169**; D13/158

(58) **Field of Classification Search**  
USPC ..... D13/158, 160, 162, 169, 178  
CPC ..... H01H 1/02; H01H 1/08; H01H 1/20;  
H01H 3/20; H01H 3/40; H01H 3/42; H01H  
9/22; H01H 9/282; H01H 19/00; H01H  
19/035; H01H 19/114; H01H 19/6355;  
H01H 19/64

See application file for complete search history.

(56) **References Cited**

**U.S. PATENT DOCUMENTS**

4,335,288 A 6/1982 Ludwig et al.  
4,713,498 A 12/1987 Ludwig et al.

4,851,620 A	7/1989	Schaeffer	
4,861,949 A	8/1989	Bortolloni et al.	
D393,626 S	4/1998	Siat	
6,072,128 A	6/2000	Ansorge et al.	
6,423,912 B1	7/2002	Arenz et al.	
6,576,851 B1	6/2003	Barlian et al.	
6,969,813 B1	11/2005	Winslett et al.	
7,368,675 B2	5/2008	Ishido et al.	
7,514,645 B2	4/2009	Shahmuradyan	
7,870,810 B2	1/2011	Da Dalt et al.	
D658,597 S	5/2012	Kuwae et al.	
D738,322 S *	9/2015	Zheng	D13/158
D738,323 S *	9/2015	Zheng	D13/158
D738,324 S *	9/2015	Zheng	D13/158
D749,048 S *	2/2016	Zheng	D13/158
D749,049 S *	2/2016	Zheng	D13/158
D749,050 S *	2/2016	Zheng	D13/158
D749,528 S *	2/2016	Zheng	D13/158
D749,529 S *	2/2016	Zheng	D13/158
D749,530 S *	2/2016	Zheng	D13/158

(Continued)

*Primary Examiner* — Selina Sikder

(74) *Attorney, Agent, or Firm* — Taft Stettinius & Hollister LLP

(57) **CLAIM**

The ornamental design for a cam switch, as shown and described.

**DESCRIPTION**

FIG. 1 is a perspective view of a cam switch showing our new design.

FIG. 2 is a front elevational view thereof.

FIG. 3 is a rear elevational view thereof.

FIG. 4 is a left side elevational view thereof.

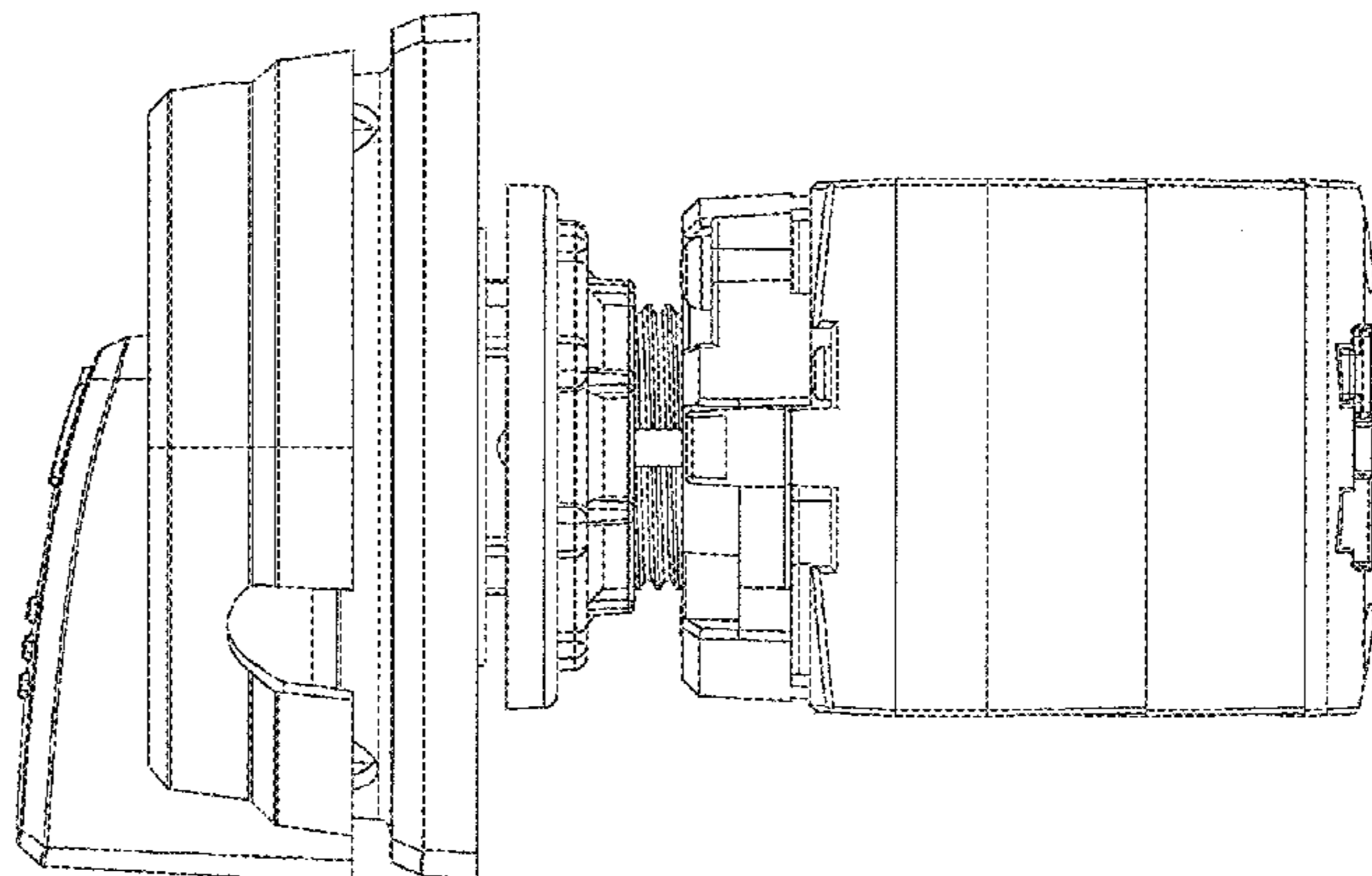
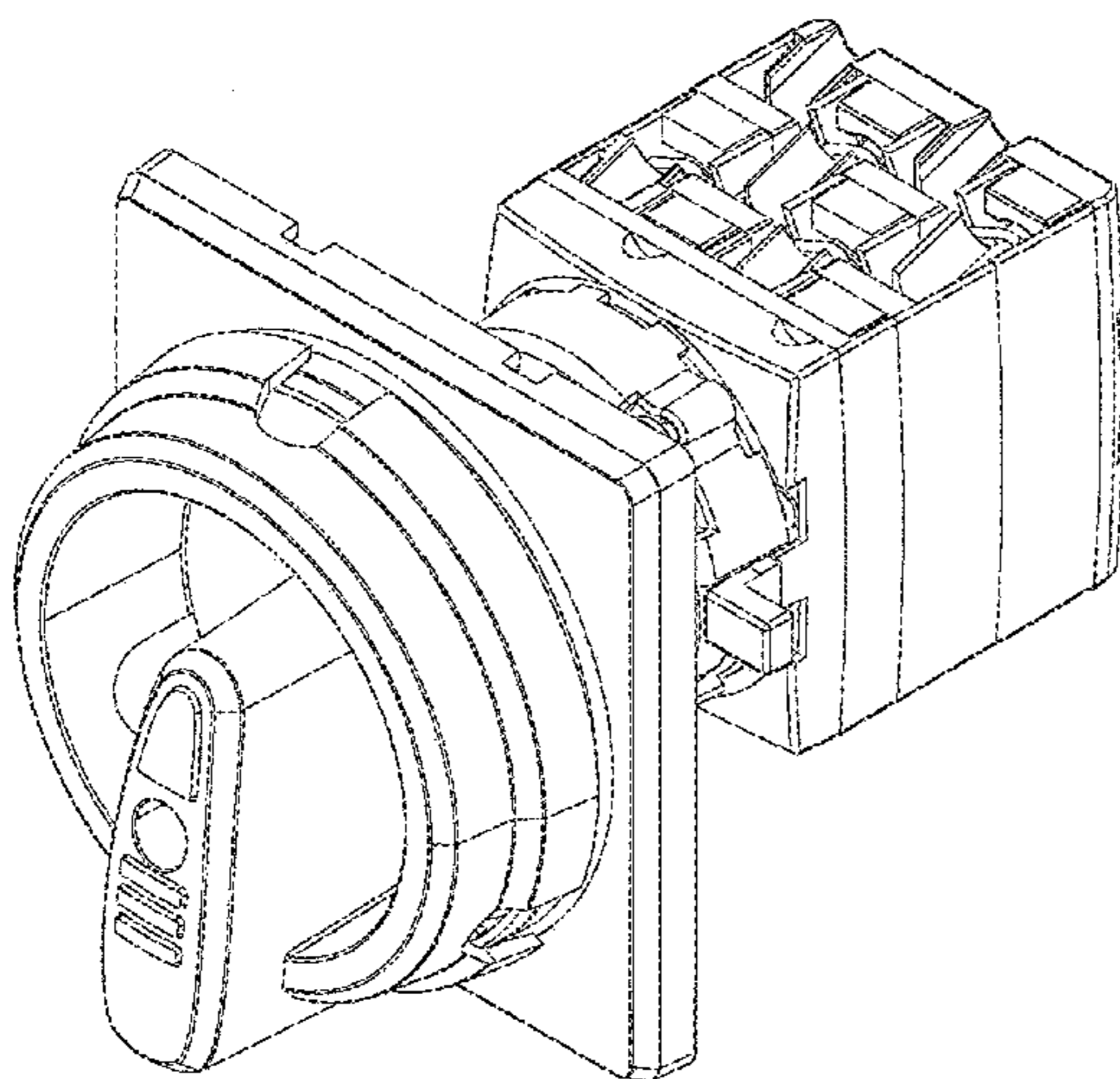
FIG. 5 is a right side elevational view thereof.

FIG. 6 is a top plan view thereof; and,

FIG. 7 is a bottom plan view thereof.

The broken line showing of the cam switch is for the purpose of illustrating environmental structure and forms no part of the claimed design.

**1 Claim, 7 Drawing Sheets**



# US D767,512 S

Page 2

---

(56)

## References Cited

### U.S. PATENT DOCUMENTS

D750,576 S *	3/2016	Zheng	.....	D13/158	
D752,525 S *	3/2016	Zheng	.....	D13/158	
					D752,526 S * 3/2016 Zheng
					..... D13/158
					D753,610 S * 4/2016 Zheng
					..... D13/158
					2012/0080298 A1 4/2012 Lee
					2014/0326585 A1 11/2014 Reinhart et al.

\* cited by examiner

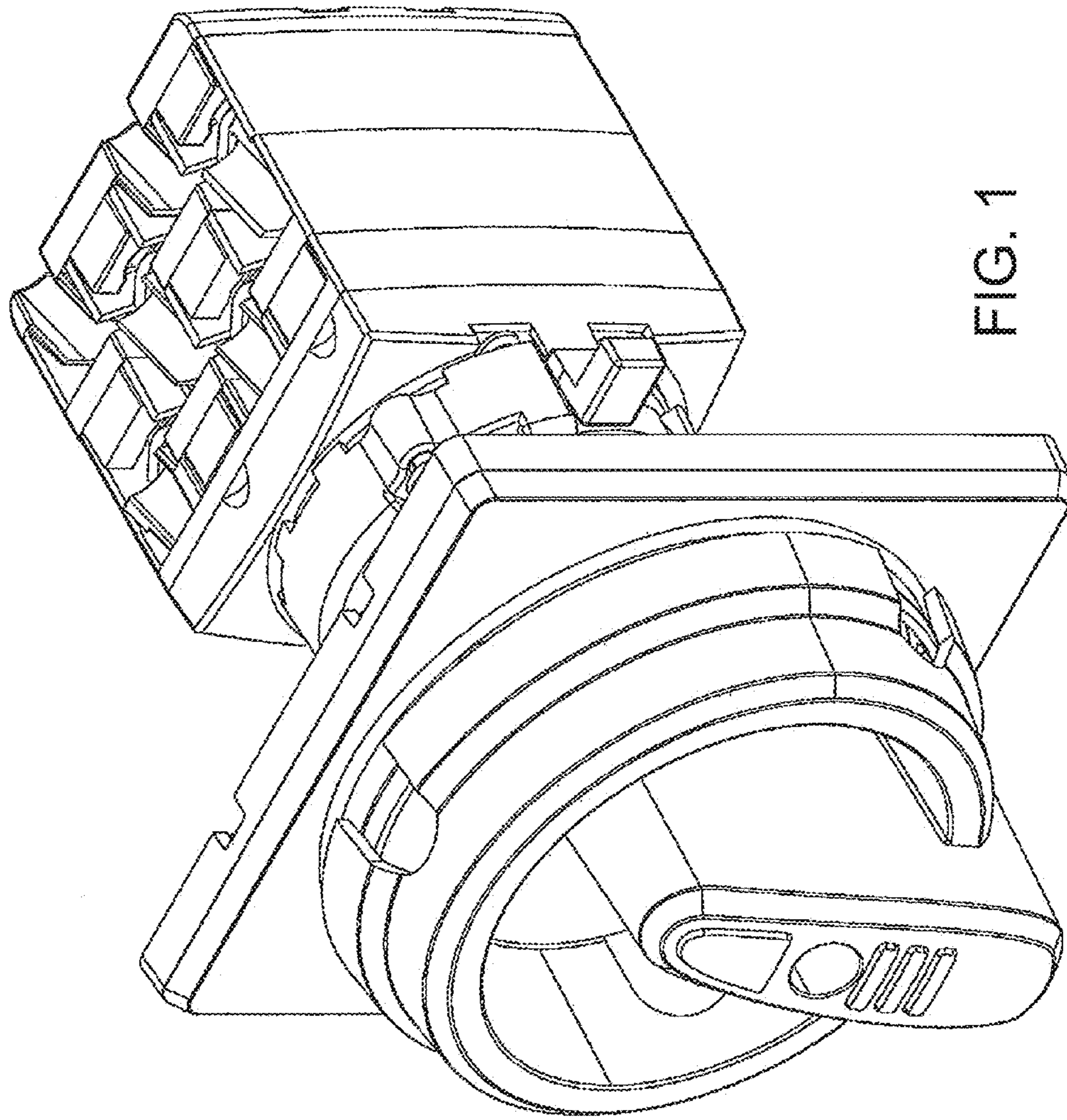


FIG. 1

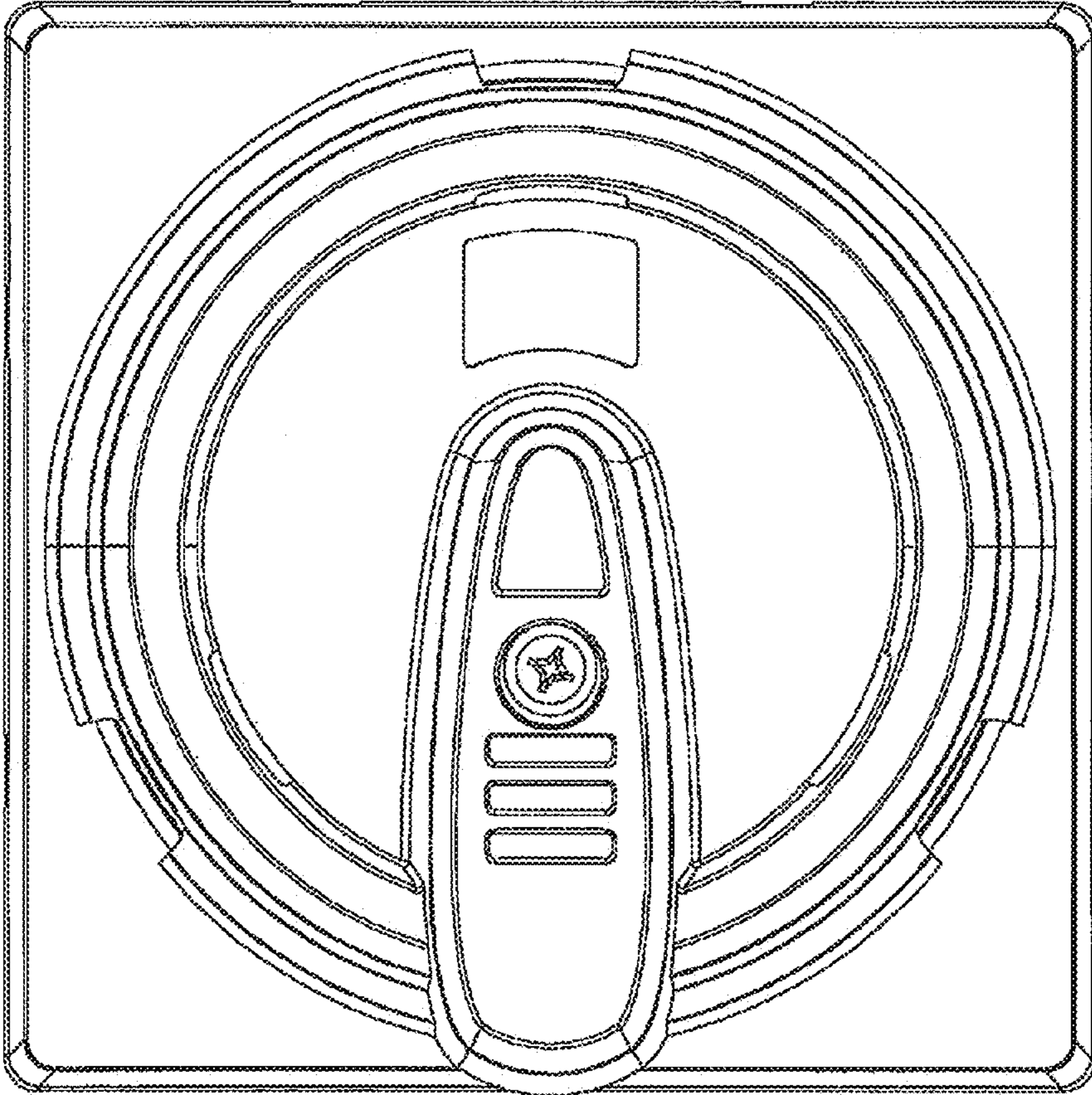


FIG. 2

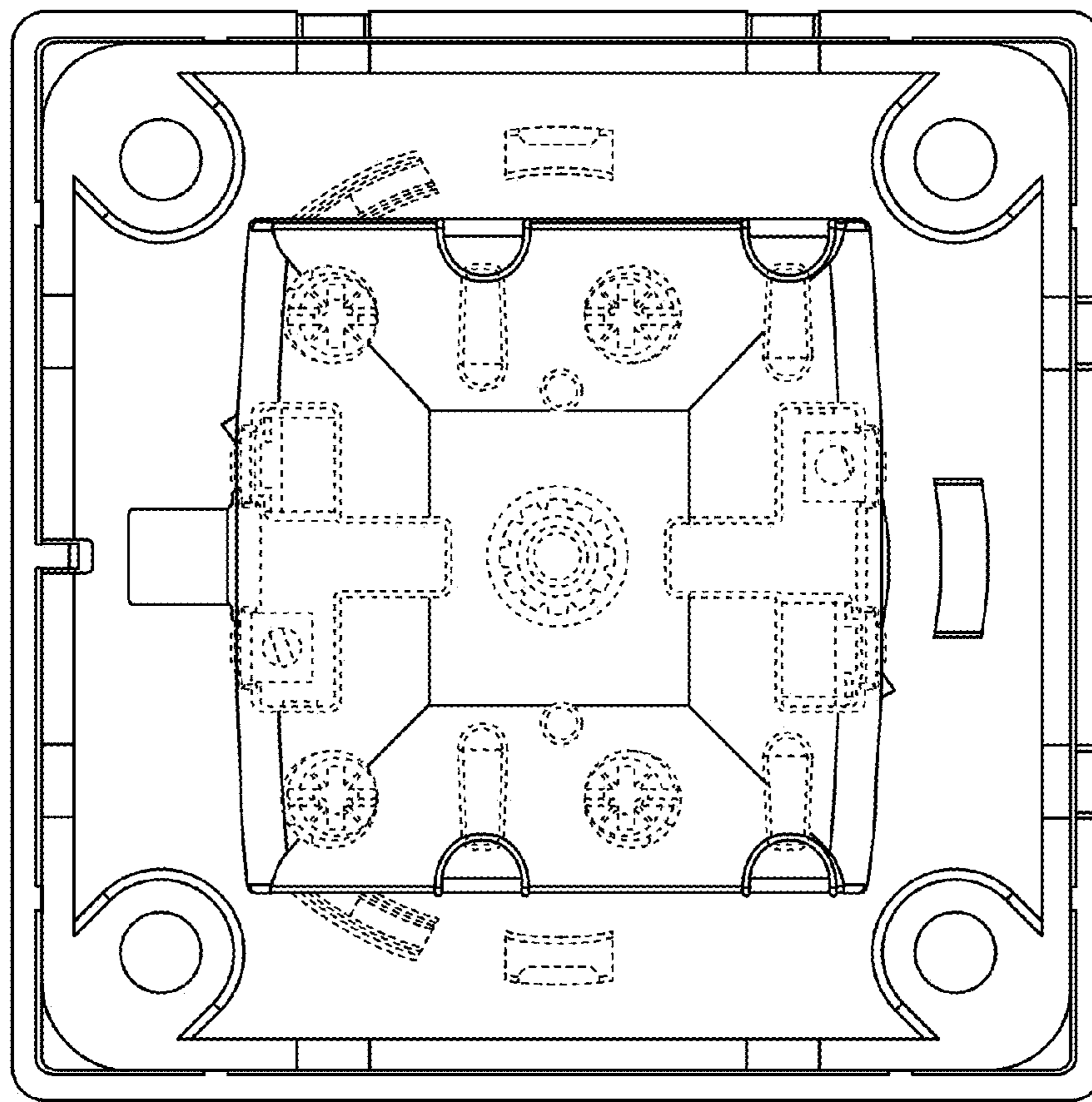


FIG. 3

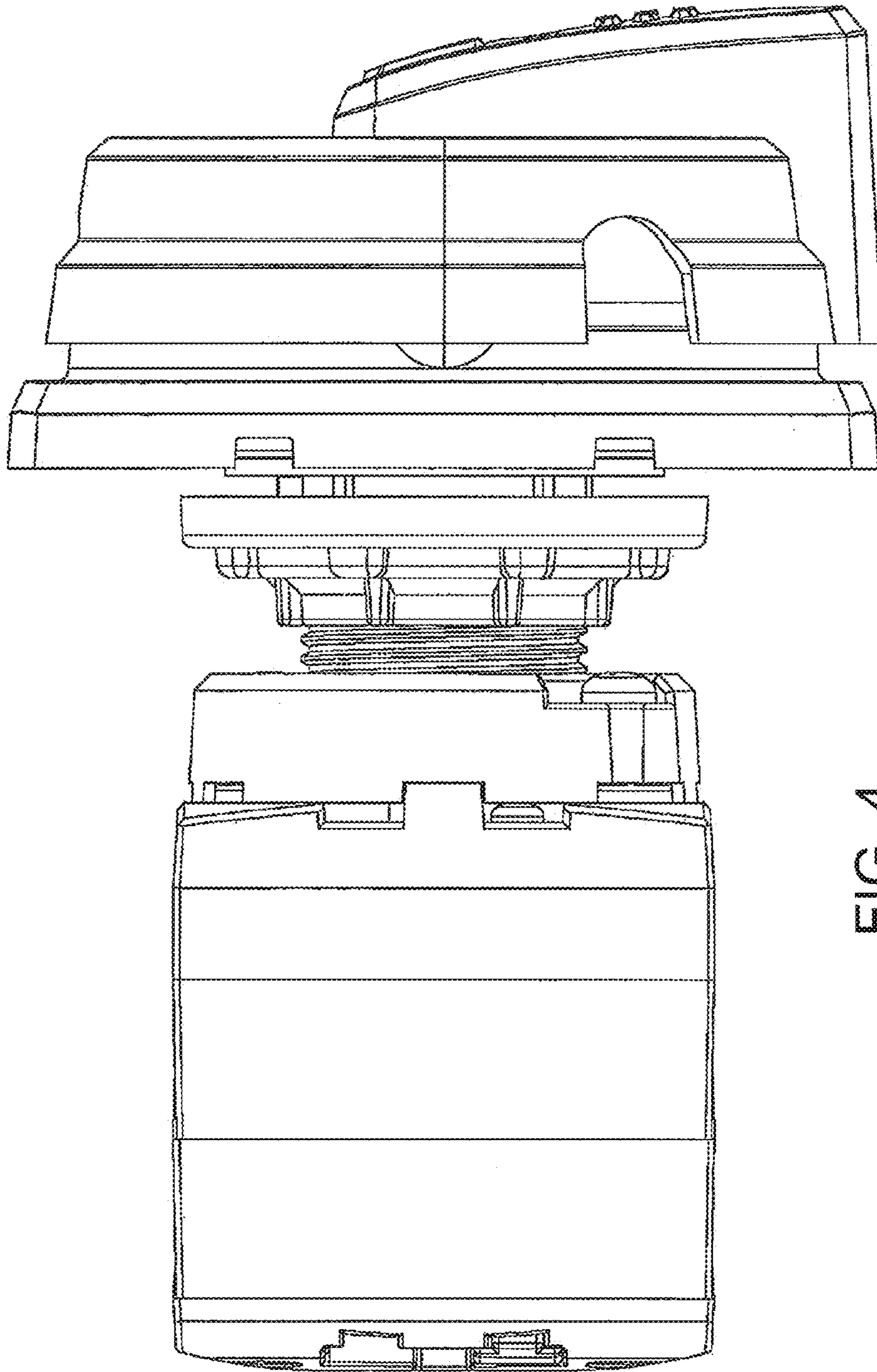


FIG. 4

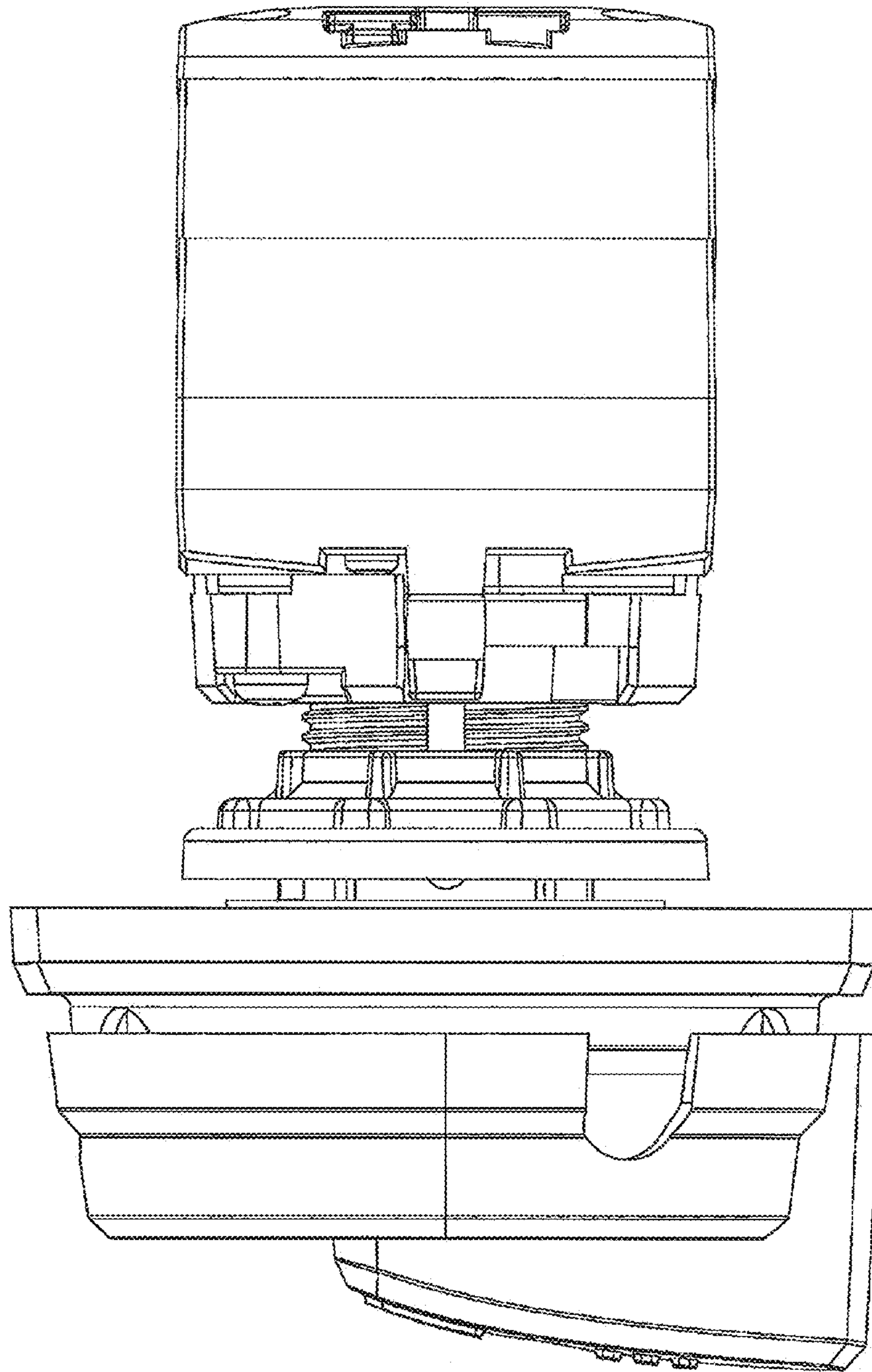


FIG. 5

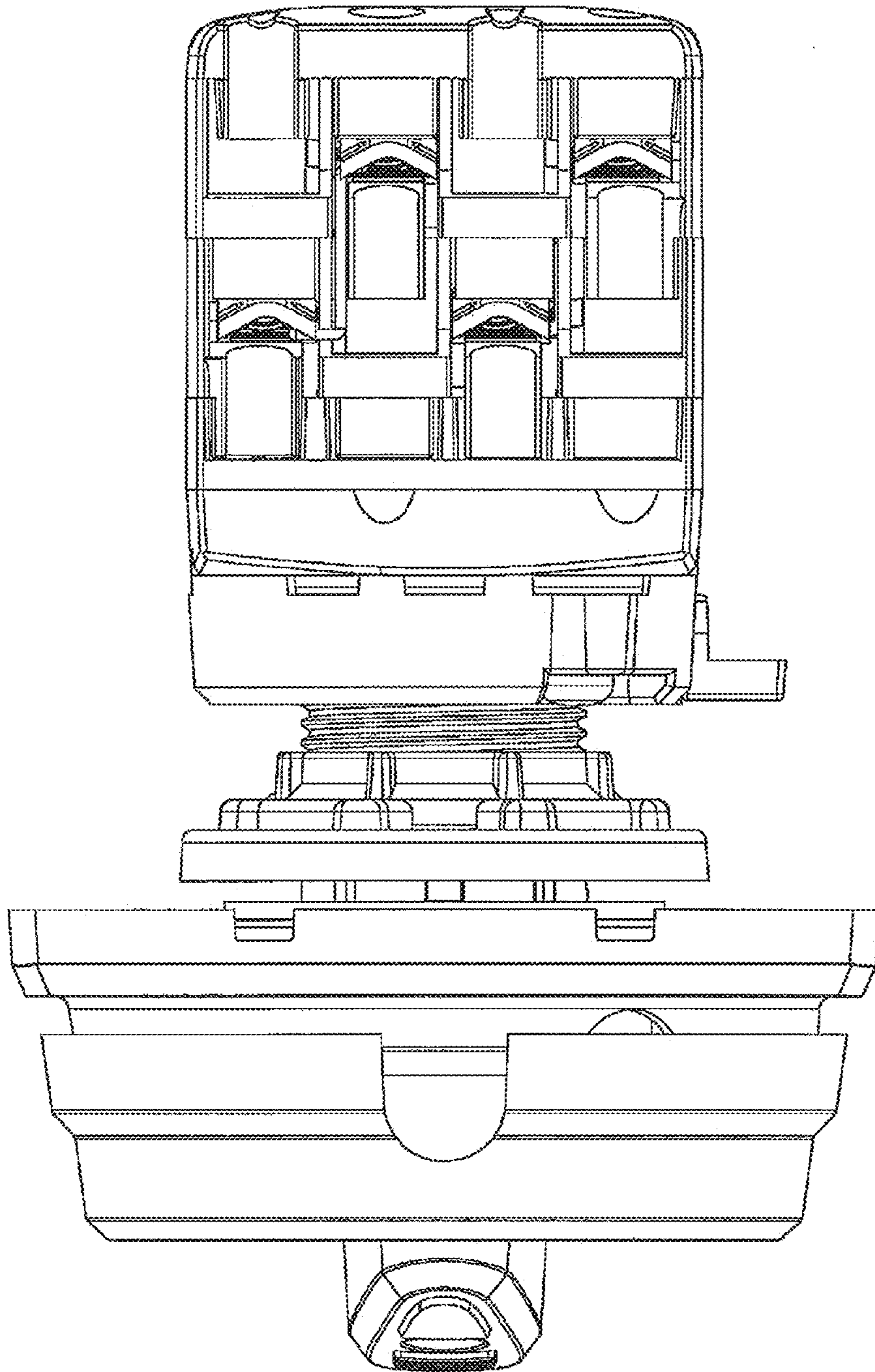


FIG. 6



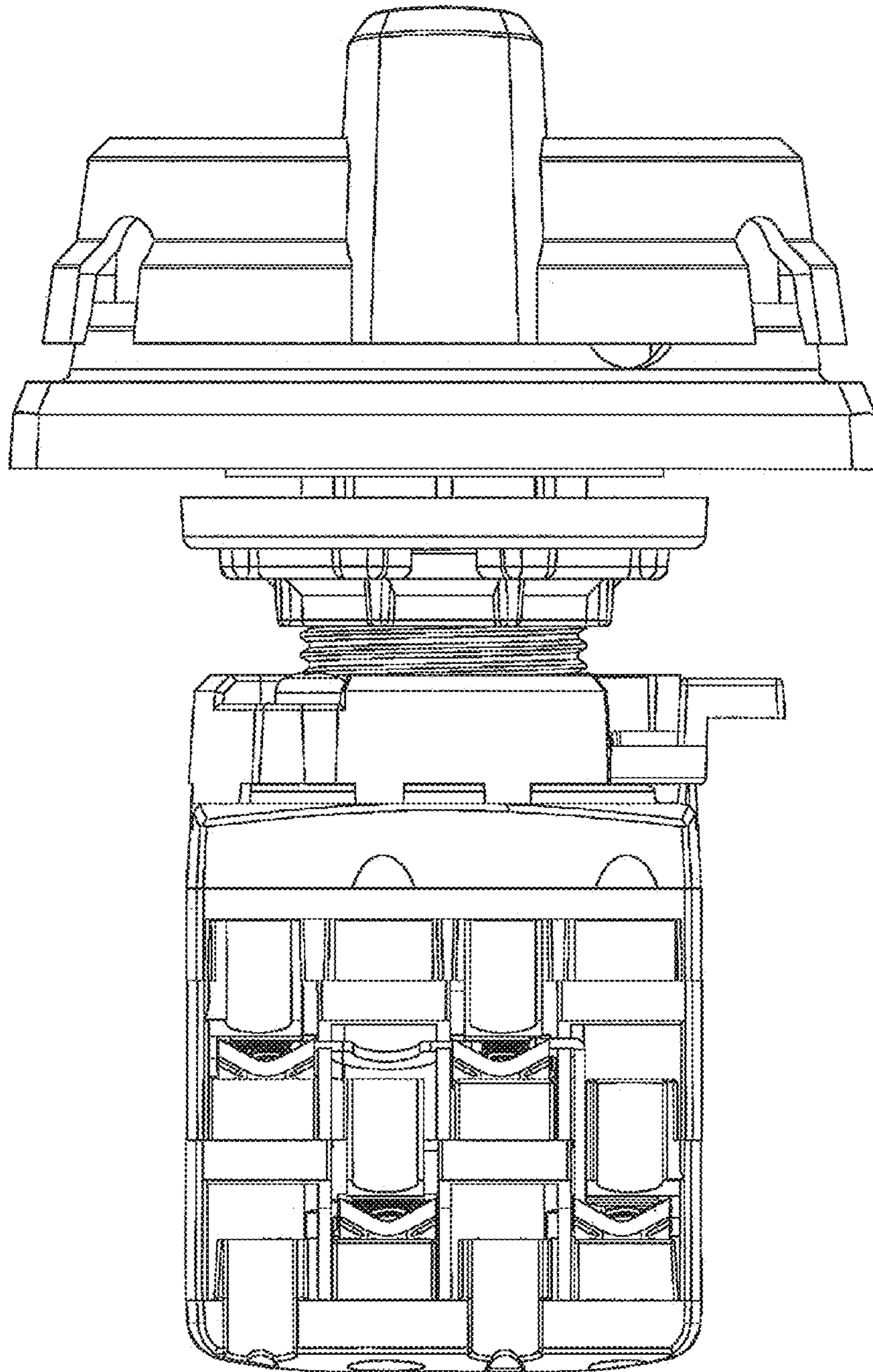


FIG. 7