



US00D767510S

(12) **United States Design Patent**
Zheng et al.

(10) **Patent No.:** **US D767,510 S**
(45) **Date of Patent:** **** Sep. 27, 2016**

- (54) **REMOTE CONTROLLER**
- (71) Applicant: **SZ DJI TECHNOLOGY CO., LTD.**,
Shenzhen (CN)
- (72) Inventors: **Hai-Bin Zheng**, Shenzhen (CN); **Min Kim**, Shenzhen (CN)
- (73) Assignee: **SZ DJI Technology Co., Ltd.**,
Shenzhen (CN)
- (**) Term: **14 Years**
- (21) Appl. No.: **29/524,292**
- (22) Filed: **Apr. 20, 2015**
- (51) **LOC (10) Cl.** **14-03**
- (52) **U.S. Cl.**
USPC **D13/168**
- (58) **Field of Classification Search**
USPC D13/168; D14/218; D21/566; 382/103;
701/2
CPC A63H 27/12; A63H 30/04; B64C 19/00;
B64C 39/024; G05D 1/0016; G05D 1/0033;
G05D 1/0808; G05D 1/0858
See application file for complete search history.

(56) **References Cited**

U.S. PATENT DOCUMENTS

D465,206	S *	11/2002	Hasselmann	D13/168
D502,968	S *	3/2005	Takahashi	D21/566
7,102,561	B2 *	9/2006	Tokita	A63H 30/04 340/12.5
7,252,265	B2 *	8/2007	Perlo	B64C 27/20 244/1 R
D585,387	S *	1/2009	Fukano	D13/168
D591,365	S *	4/2009	Pasko	D21/566
8,049,600	B2 *	11/2011	Beard	A63H 30/04 318/16
D651,988	S *	1/2012	Zhan	D13/168
8,089,225	B2 *	1/2012	Goossen	G05D 1/0016 318/16

8,200,375	B2 *	6/2012	Stuckman	A63H 27/12 244/17.11
8,330,583	B2 *	12/2012	Beard	A63H 30/04 340/12.22
8,845,386	B2 *	9/2014	Kondo	A63H 30/04 446/438
9,011,250	B2 *	4/2015	Condon	A63F 13/00 463/2
D733,666	S *	7/2015	Zhang	D13/168
9,141,108	B2 *	9/2015	Allen	G05D 1/0016
9,268,336	B2 *	2/2016	Erhart	A63H 30/04

(Continued)

Primary Examiner — Selina Sikder

(74) *Attorney, Agent, or Firm* — Sterne, Kessler, Goldstein & Fox P.L.L.C.

(57) **CLAIM**

The ornamental design of a remote controller, as shown and described.

DESCRIPTION

FIG. 1 is a perspective view of a remote controller showing our design, viewed from a first perspective.

FIG. 2 is a front elevational view of the remote controller of FIG. 1.

FIG. 3 is a rear elevational view of the remote controller of FIG. 1.

FIG. 4 is a left-side elevational view of the remote controller of FIG. 1.

FIG. 5 is a right-side elevational view of the remote controller of FIG. 1.

FIG. 6 is a top plan view of the remote controller of FIG. 1.

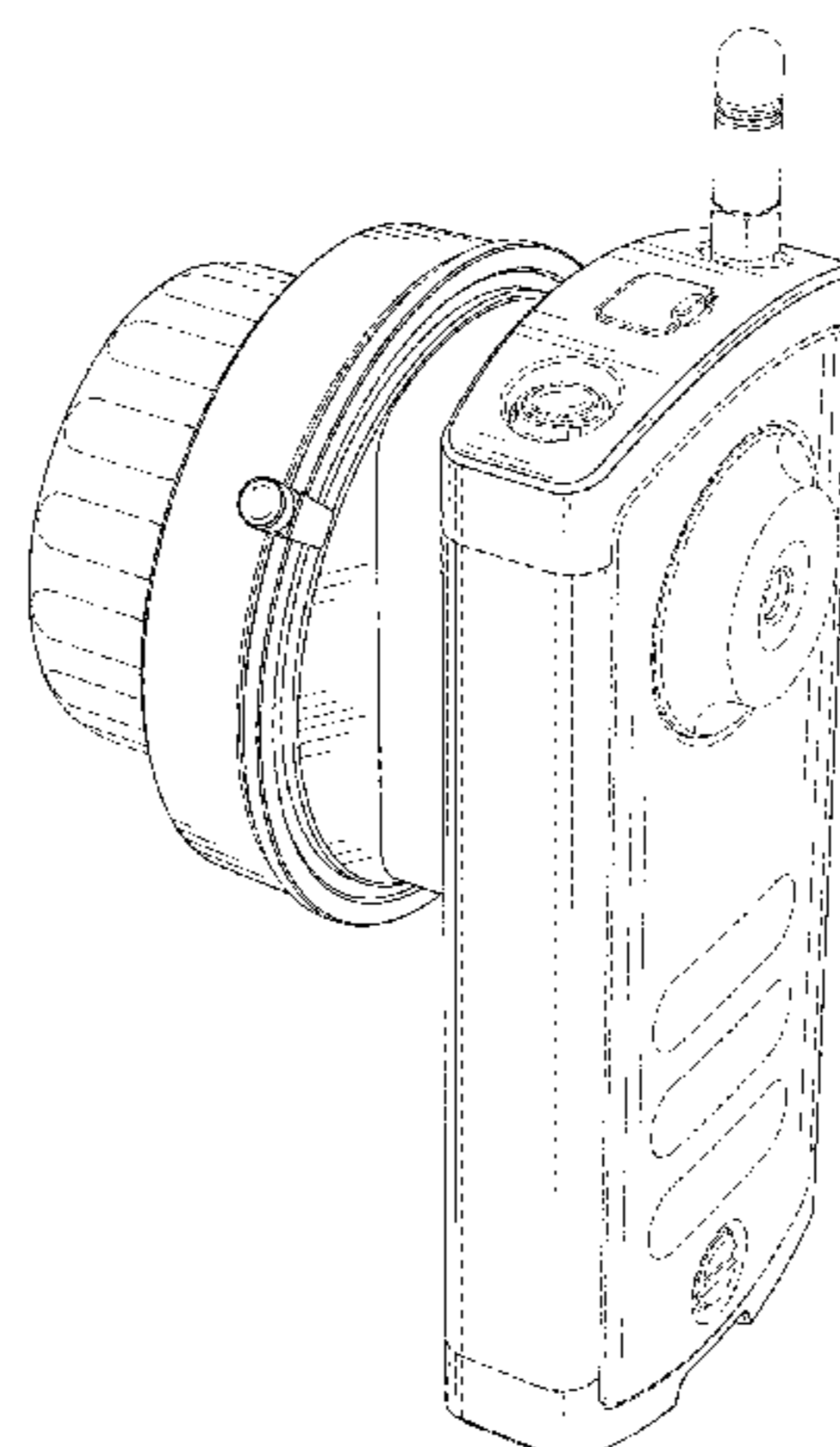
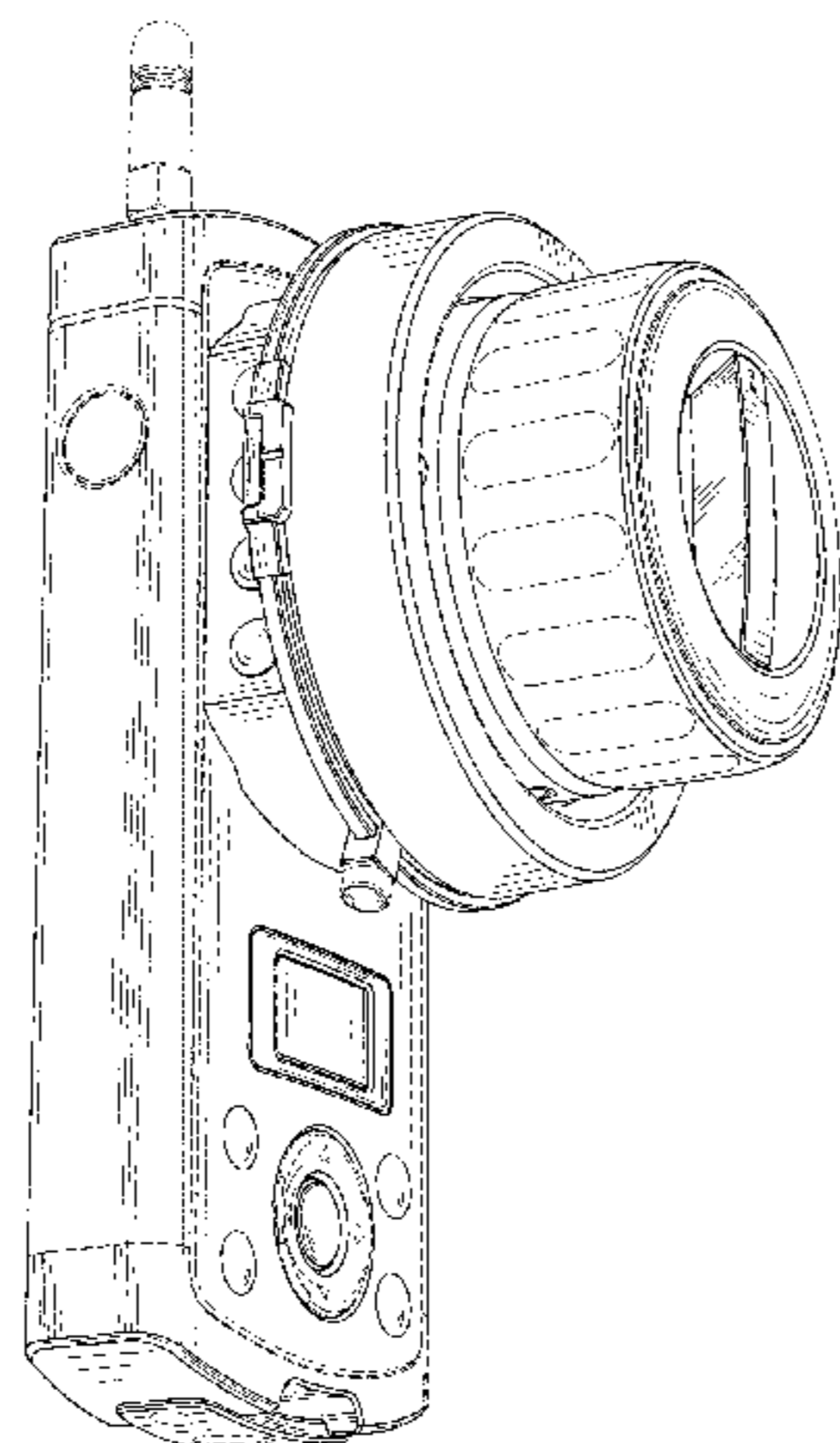
FIG. 7 is a bottom plan view of the remote controller of FIG. 1.

FIG. 8 is a cross-sectional view of a remote controller of FIG. 2, taken along line VIII-VIII and showing contours of the cross-section; and,

FIG. 9 is a perspective view of a remote controller of FIG. 1, viewed from a second perspective.

The broken lines are for illustrative purposes only and form no part of the claimed design.

1 Claim, 9 Drawing Sheets



(56)

References Cited

U.S. PATENT DOCUMENTS

2005/0168373	A1*	8/2005	Mukaida	A63H 30/04 341/176	2008/0220687	A1*	9/2008	Taya	A63H 30/04 446/37
2006/0228987	A1*	10/2006	Hayashi	A63H 30/04 446/456	2011/0221692	A1*	9/2011	Seydoux	A63H 27/12 345/173
2006/0229034	A1*	10/2006	Gizis	A63H 30/04 455/95	2011/0299732	A1*	12/2011	Jonchery	A63H 27/12 382/103
2008/0174448	A1*	7/2008	Hudson	A63H 30/04 340/4.37	2014/0111317	A1*	4/2014	Shen	A63H 30/04 340/12.22
2008/0180272	A1*	7/2008	Scherer	A63H 30/04 340/13.24	2014/0315464	A1*	10/2014	Kouyoumjian	A63H 27/12 446/37
					2015/0360136	A1*	12/2015	Choi	A63H 30/04 74/491

* cited by examiner

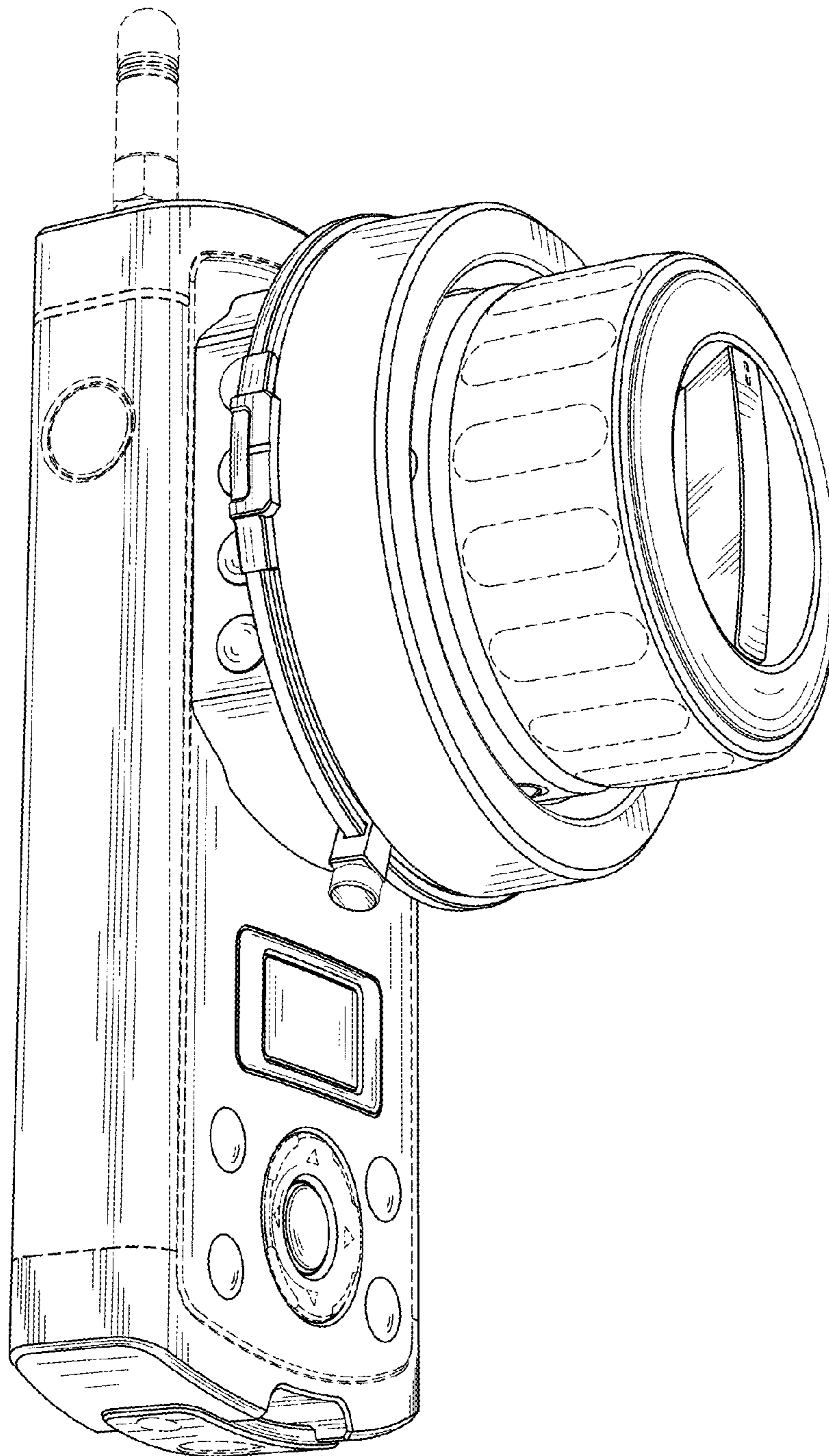


FIG. 1

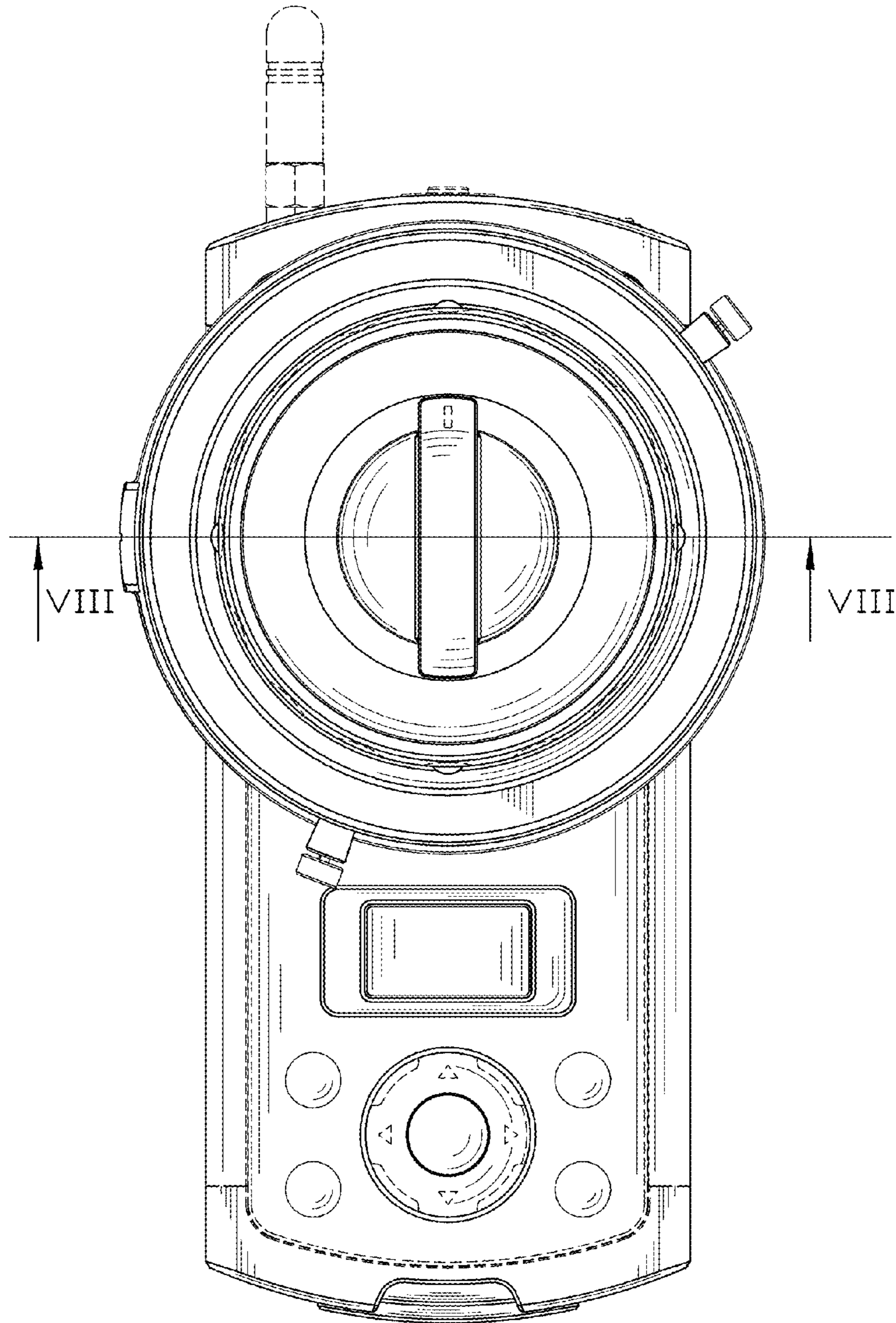


FIG. 2

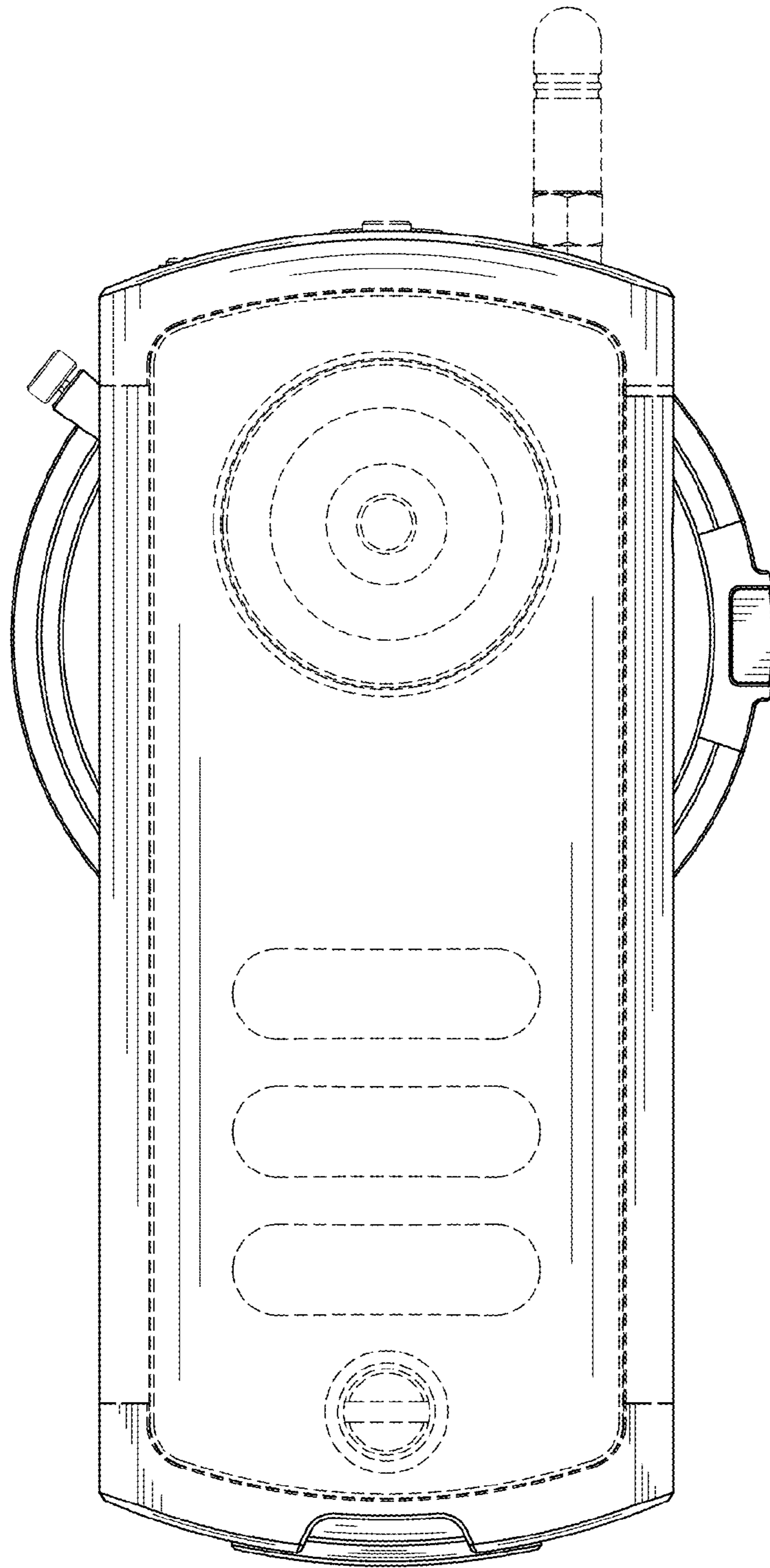


FIG. 3

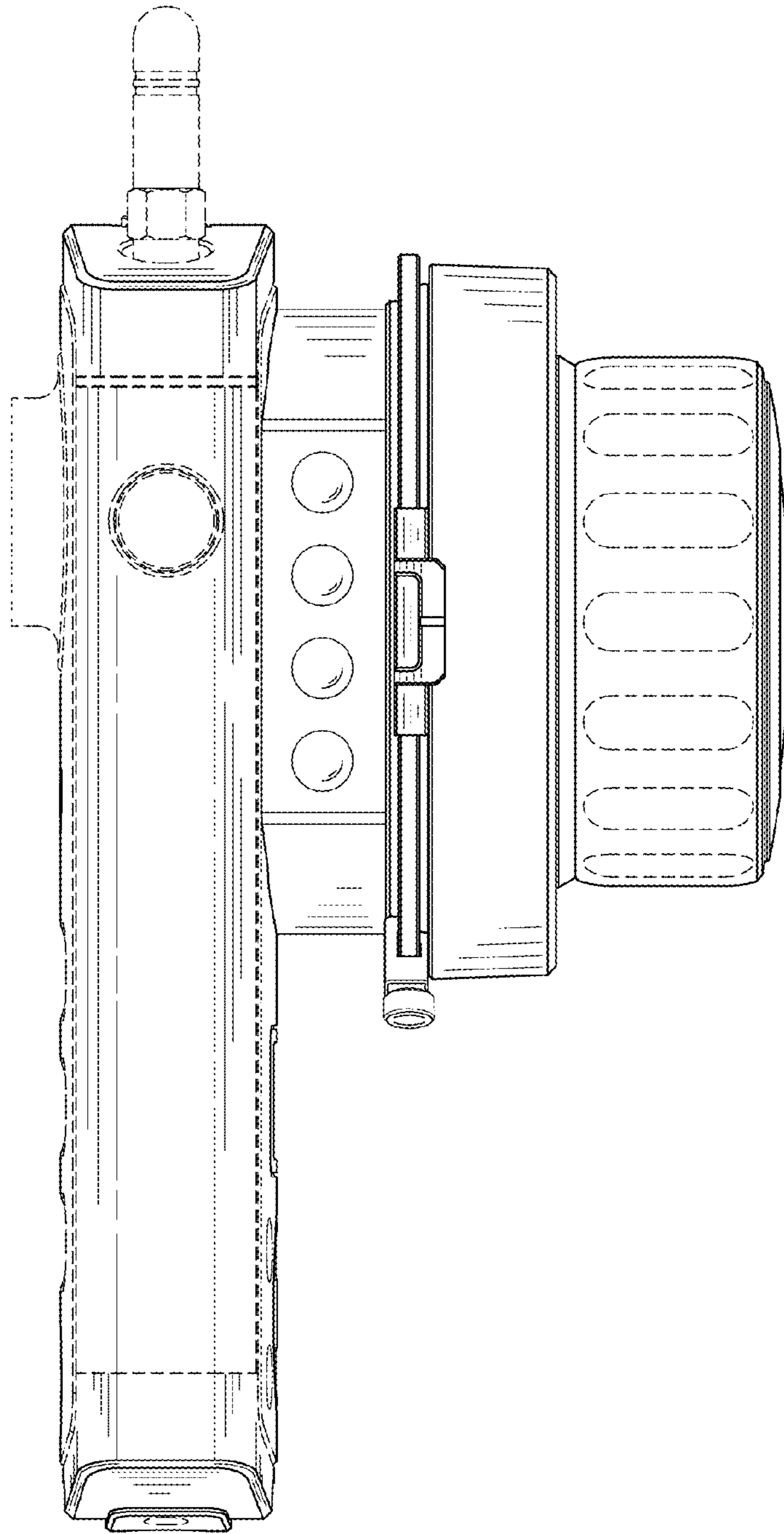


FIG. 4

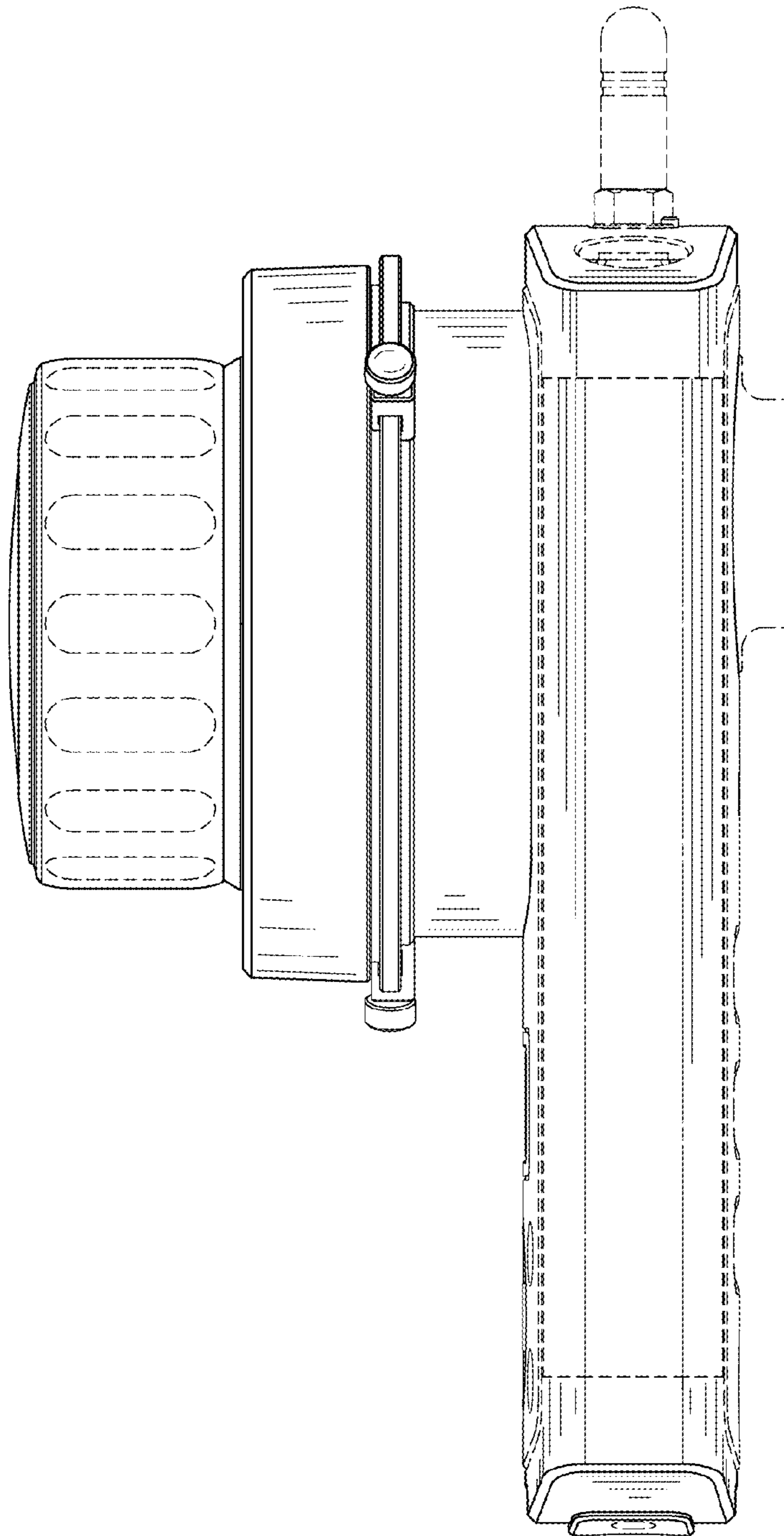


FIG. 5

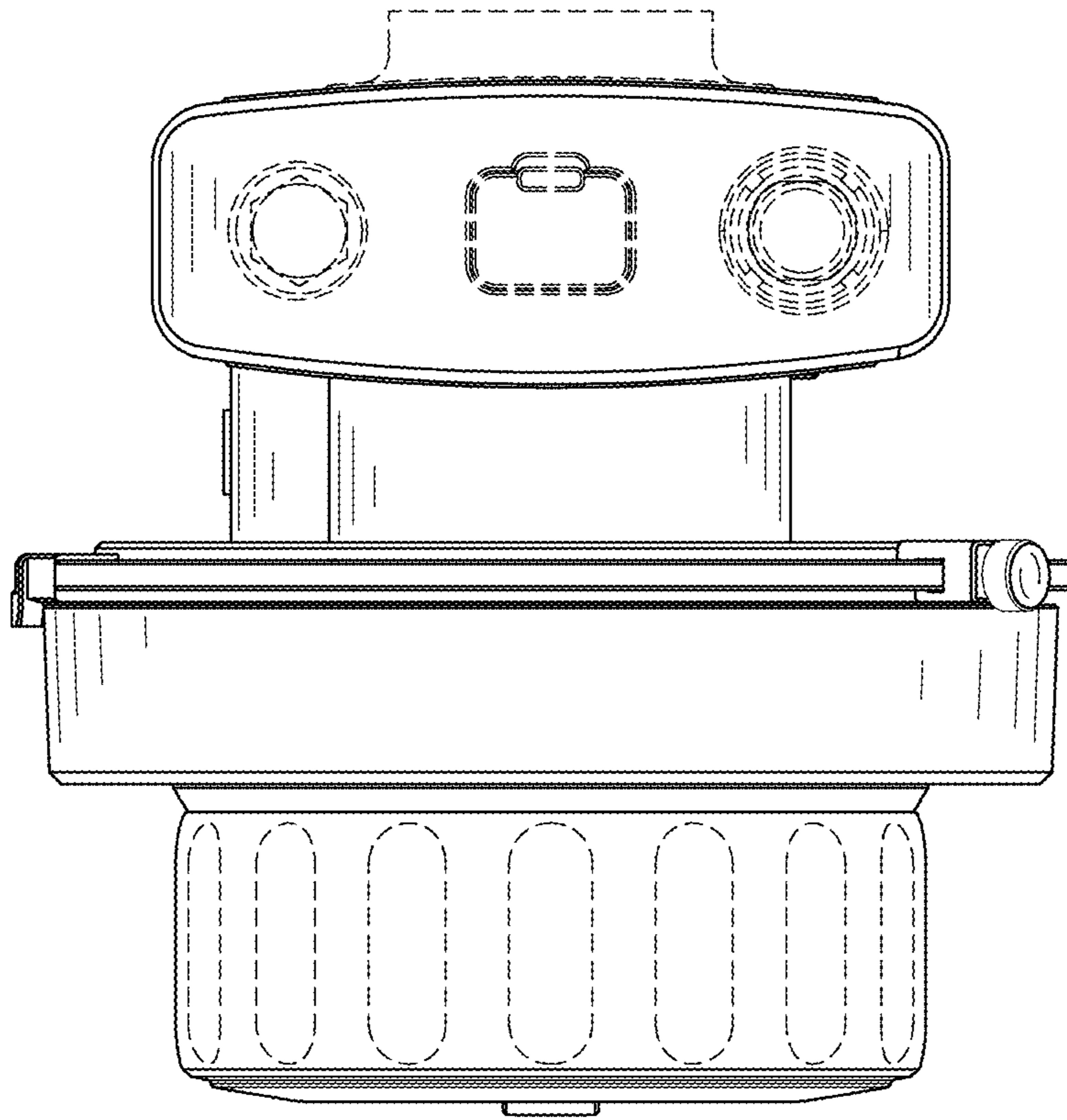


FIG. 6

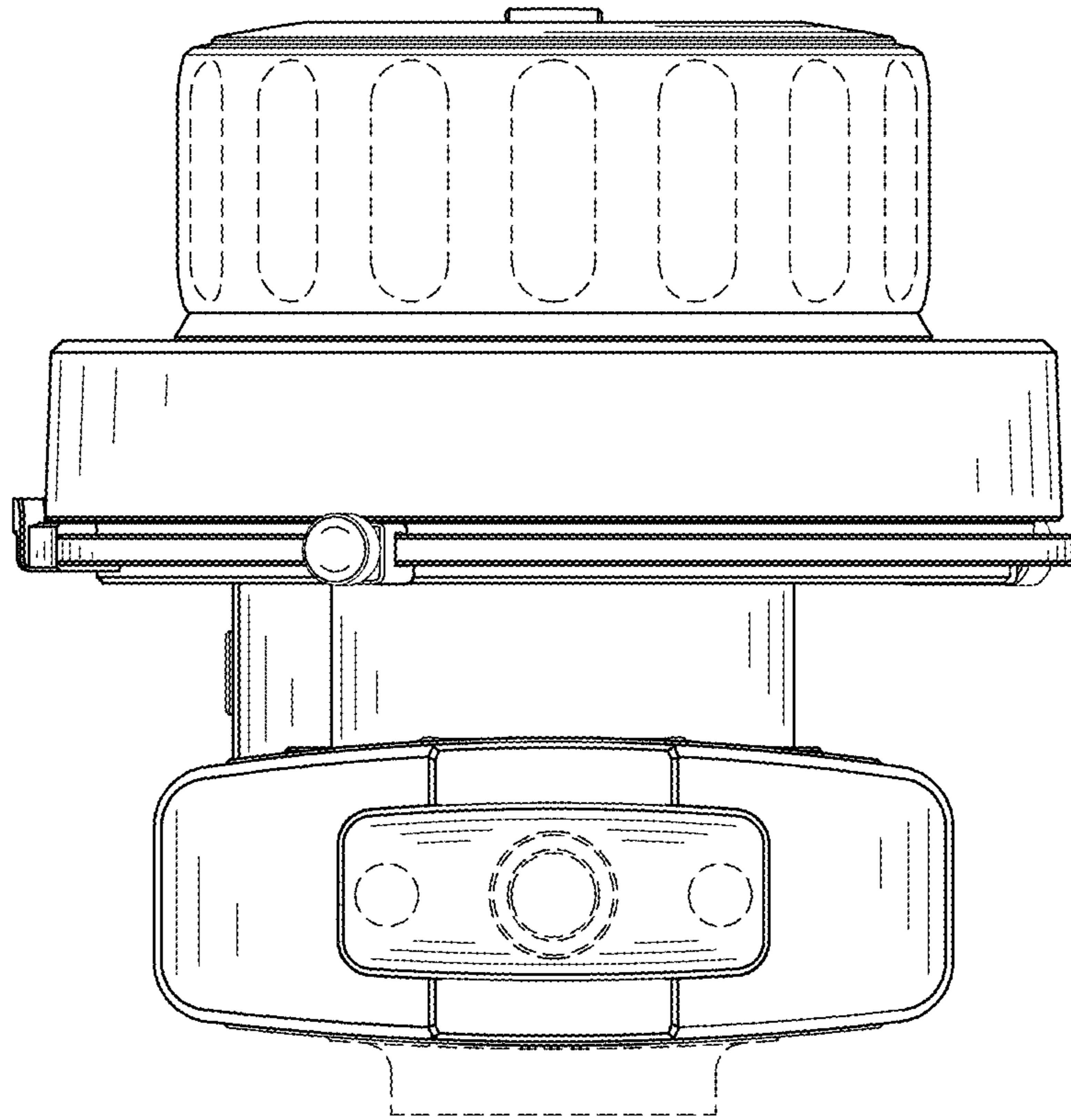


FIG. 7

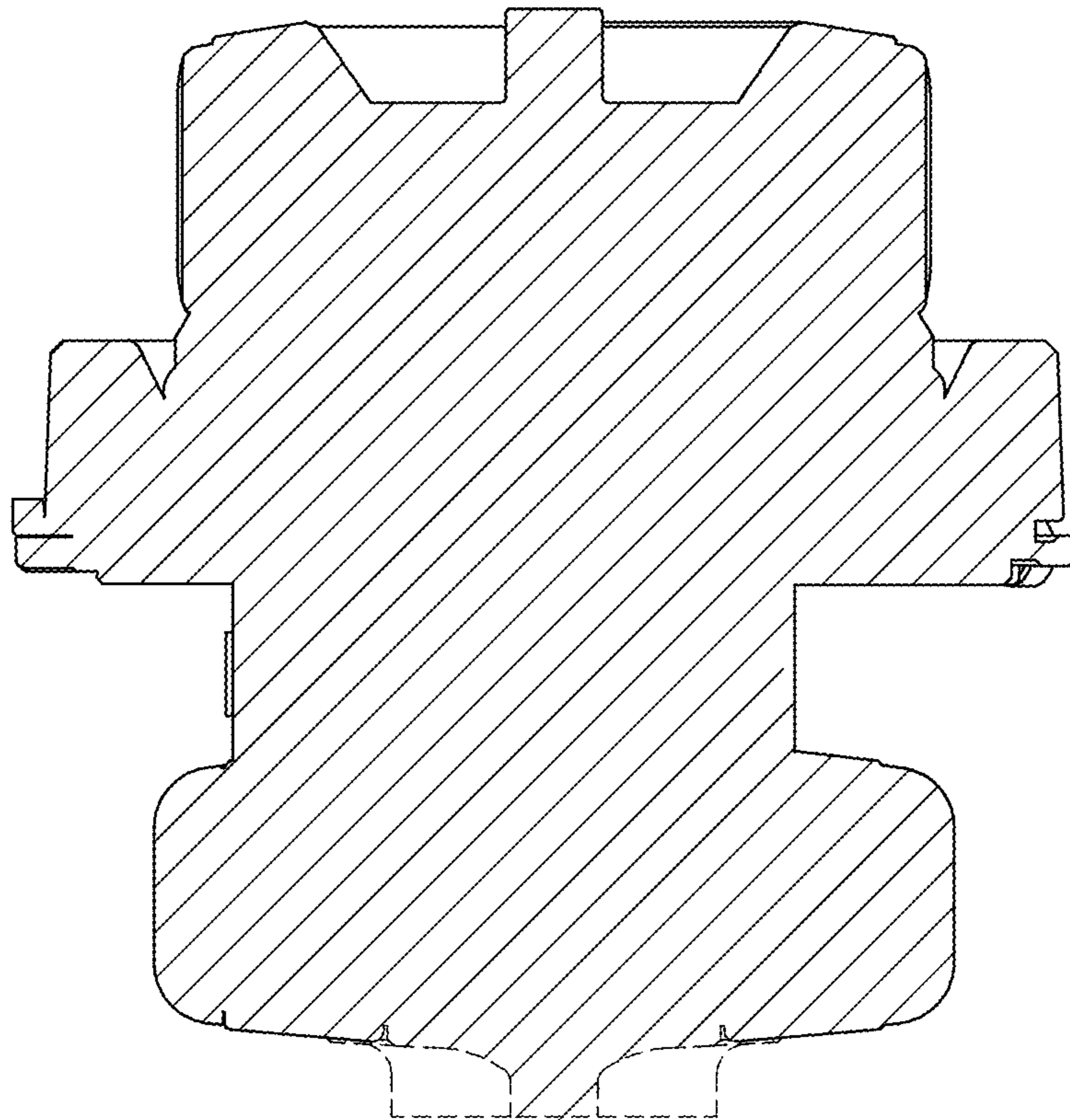


FIG. 8

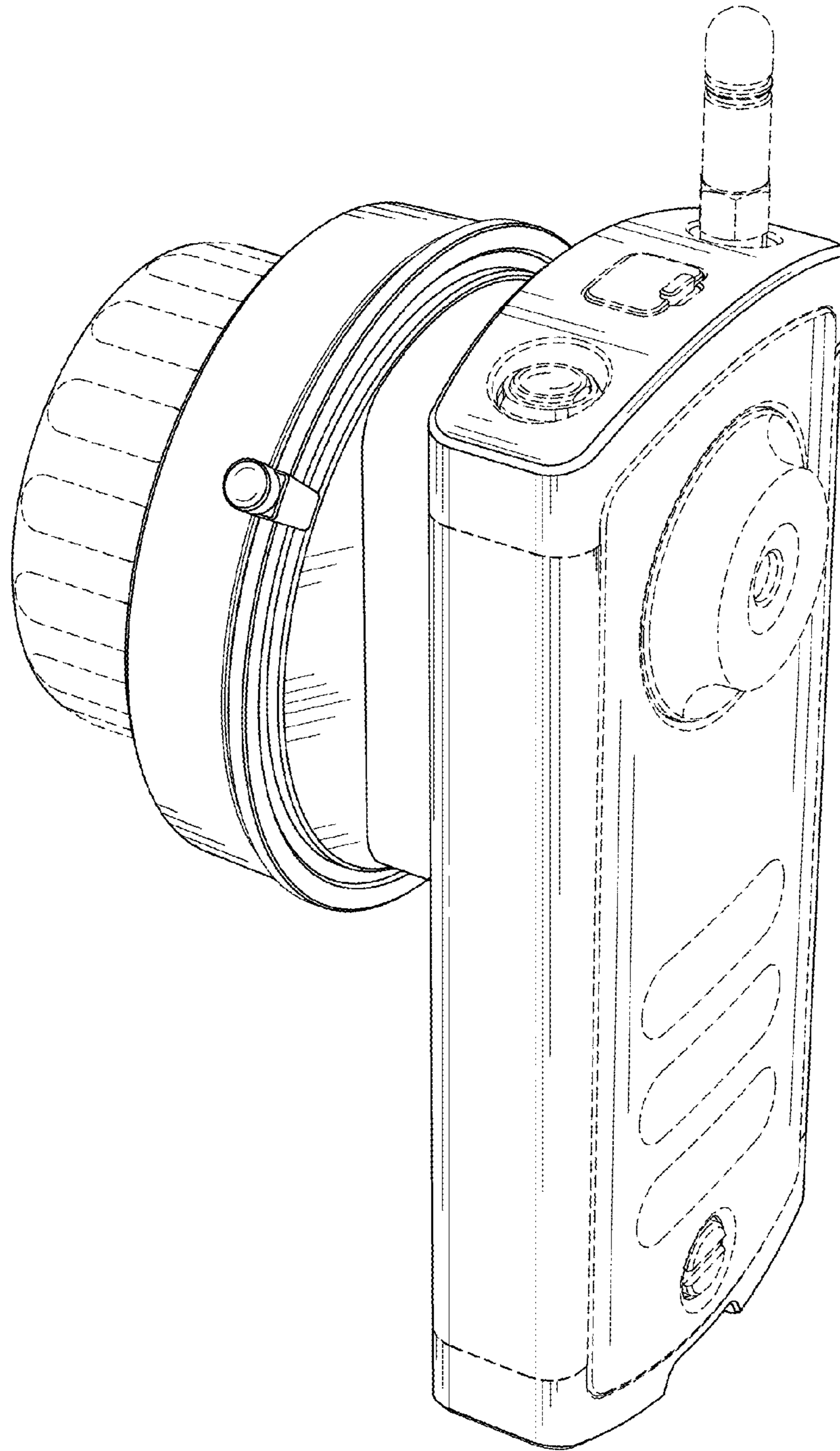


FIG. 9

UNITED STATES PATENT AND TRADEMARK OFFICE
CERTIFICATE OF CORRECTION

PATENT NO. : D767,510 S
APPLICATION NO. : 29/524292
DATED : September 27, 2016
INVENTOR(S) : Zheng et al.

Page 1 of 1

It is certified that error appears in the above-identified patent and that said Letters Patent is hereby corrected as shown below:

On the Title Page

In the DESCRIPTION, below item (57):

Replace "FIG. 1 is a perspective view of a remote controller showing our design, viewed form a first perspective." with --FIG. 1 is a perspective view of a remote controller showing our design, viewed from a first perspective.--

Replace "FIG. 9 is a perspective view of a remote controller of FIG.1, viewed form a second perspective." with --FIG. 9 is a perspective view of a remote controller of FIG. 1, viewed from a second perspective.--

Signed and Sealed this
Second Day of January, 2018



Joseph Matal
*Performing the Functions and Duties of the
Under Secretary of Commerce for Intellectual Property and
Director of the United States Patent and Trademark Office*