

US00D767508S

(12) **United States Design Patent** (10) **Patent No.:** **US D767,508 S**
Dimberg et al. (45) **Date of Patent:** **** Sep. 27, 2016**

- (54) **TABLETOP REMOTE LOAD CONTROL DEVICE**
- (71) Applicant: **Lutron Electronics Co., Inc.**,
Coopersburg, PA (US)
- (72) Inventors: **Chris Lloyd Dimberg**, Easton, PA
(US); **Elliot G. Jacoby**, Glenside, PA
(US); **Jason C. Killo**, Emmaus, PA
(US); **Brad Michael Kreschollek**,
Bethlehem, PA (US); **Matthew Philip
McDonald**, Phoenixville, PA (US)
- (73) Assignee: **Lutron Electronics Co., Inc.**,
Coopersburg, PA (US)
- (**) Term: **14 Years**
- (21) Appl. No.: **29/512,028**
- (22) Filed: **Dec. 16, 2014**
- (51) **LOC (10) Cl.** **14-03**
- (52) **U.S. Cl.**
USPC **D13/168**
- (58) **Field of Classification Search**
USPC D13/164, 168; D10/104.12, 106.1;
D14/218
CPC H03J 1/0025; H03J 9/00; H03J 9/02;
H03J 9/04; H03J 9/06; H01H 2009/187;
H01H 9/02; H01H 9/0214; H01H 9/0242;
H01H 9/18; H05B 37/02; H05B 37/0272;
H05B 39/088; G08C 17/00; G08C 17/02;
G08C 19/28; G08C 23/02; G08C 23/04
See application file for complete search history.

- (56) **References Cited**
U.S. PATENT DOCUMENTS
5,876,106 A * 3/1999 Kordecki G01D 5/165
200/314
6,120,262 A * 9/2000 McDonough H05B 37/0272
318/16
D496,335 S * 9/2004 Spira D13/168
D537,046 S * 2/2007 Blair D13/162
7,312,695 B2 * 12/2007 Lehmer G09F 9/302
307/115
D576,564 S 9/2008 Hewson et al.
D626,092 S 10/2010 Clymer et al.
D627,307 S * 11/2010 Petrillo D13/168

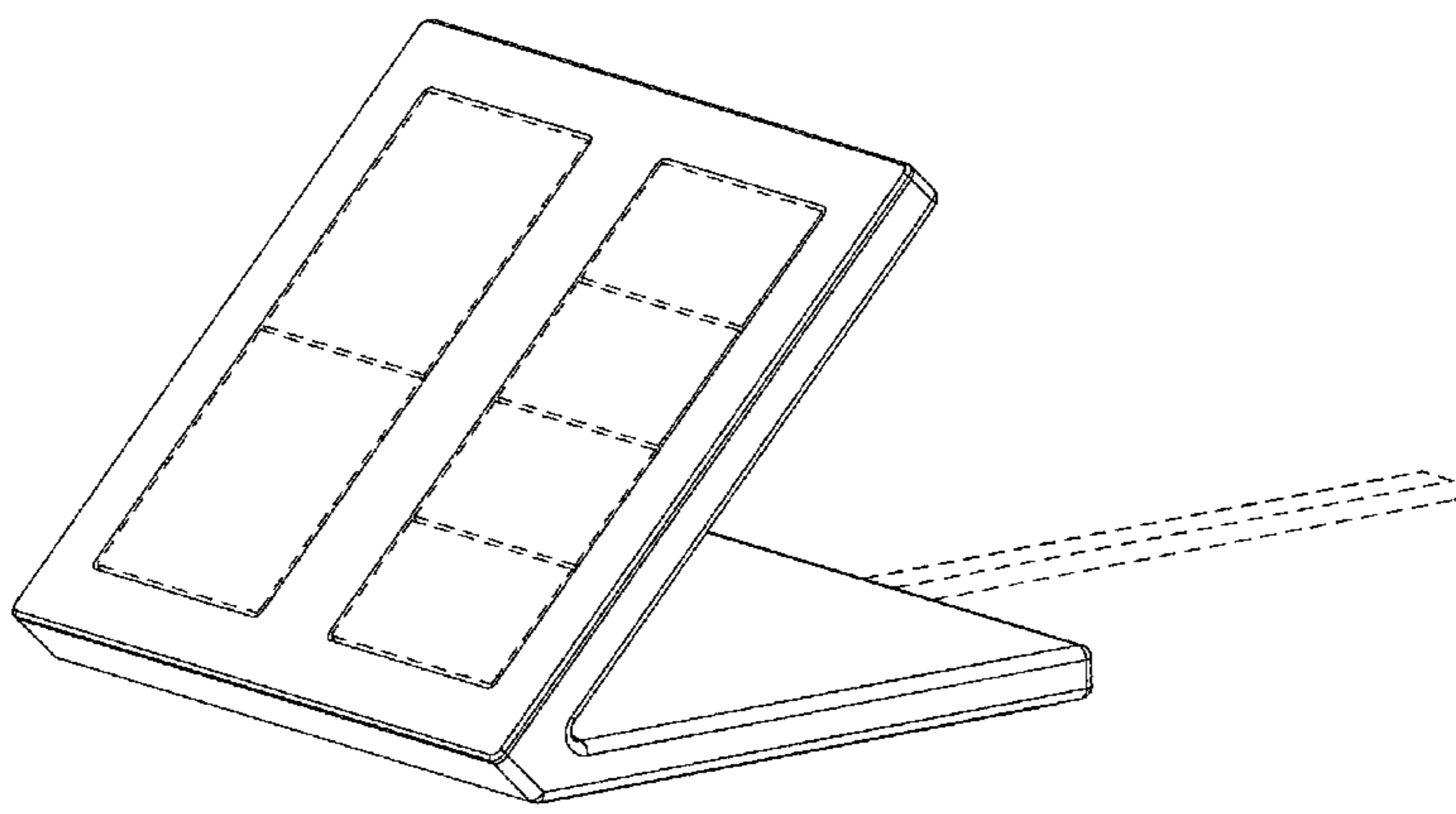
- D631,855 S * 2/2011 Blair D13/168
- D633,874 S * 3/2011 Feldstein D13/164
- D636,739 S * 4/2011 Petrillo D13/168
- D647,066 S 10/2011 Jacoby et al.
- D649,123 S * 11/2011 Jacoby D13/164
- D658,594 S * 5/2012 Felegy, Jr. D13/168
- D669,038 S * 10/2012 Felegy, Jr. D13/168
- 8,469,204 B1 * 6/2013 Bradshaw F16M 13/00
211/26.1
- D694,197 S * 11/2013 Felegy, Jr. D13/168
- D704,151 S 5/2014 Jacoby et al.
- D718,724 S 12/2014 Clymer et al.
- D733,667 S * 7/2015 Jacoby D13/168
- 2012/0013450 A1 * 1/2012 Lee G08C 17/00
340/12.54

* cited by examiner
Primary Examiner — Selina Sikder
(74) *Attorney, Agent, or Firm* — Mark E. Rose; Philip N. Smith

(57) **CLAIM**
We claim the ornamental design for a tabletop remote load control device, as shown and described.

DESCRIPTION
FIG. 1 is a perspective view of a tabletop remote load control device according to a first embodiment of our new design. FIG. 2 is a top view thereof. FIG. 3 is a left side view thereof. FIG. 4 is a right side view thereof. FIG. 5 is a front view thereof. FIG. 6 is a rear view thereof. The bottom view of the first embodiment forms no part of the design and is omitted. FIG. 7 is a perspective view of a tabletop remote load control device according to a second embodiment of our new design. FIG. 8 is a top view thereof. FIG. 9 is a left side view thereof. FIG. 10 is a right side view thereof. FIG. 11 is a front view thereof; and, FIG. 12 is a rear view thereof. The bottom view of the second embodiment forms no part of the design and is omitted. The broken lines showing portions of the tabletop remote load control device are for the purpose of illustrating environmental structure and form no part of the claimed design.

1 Claim, 8 Drawing Sheets



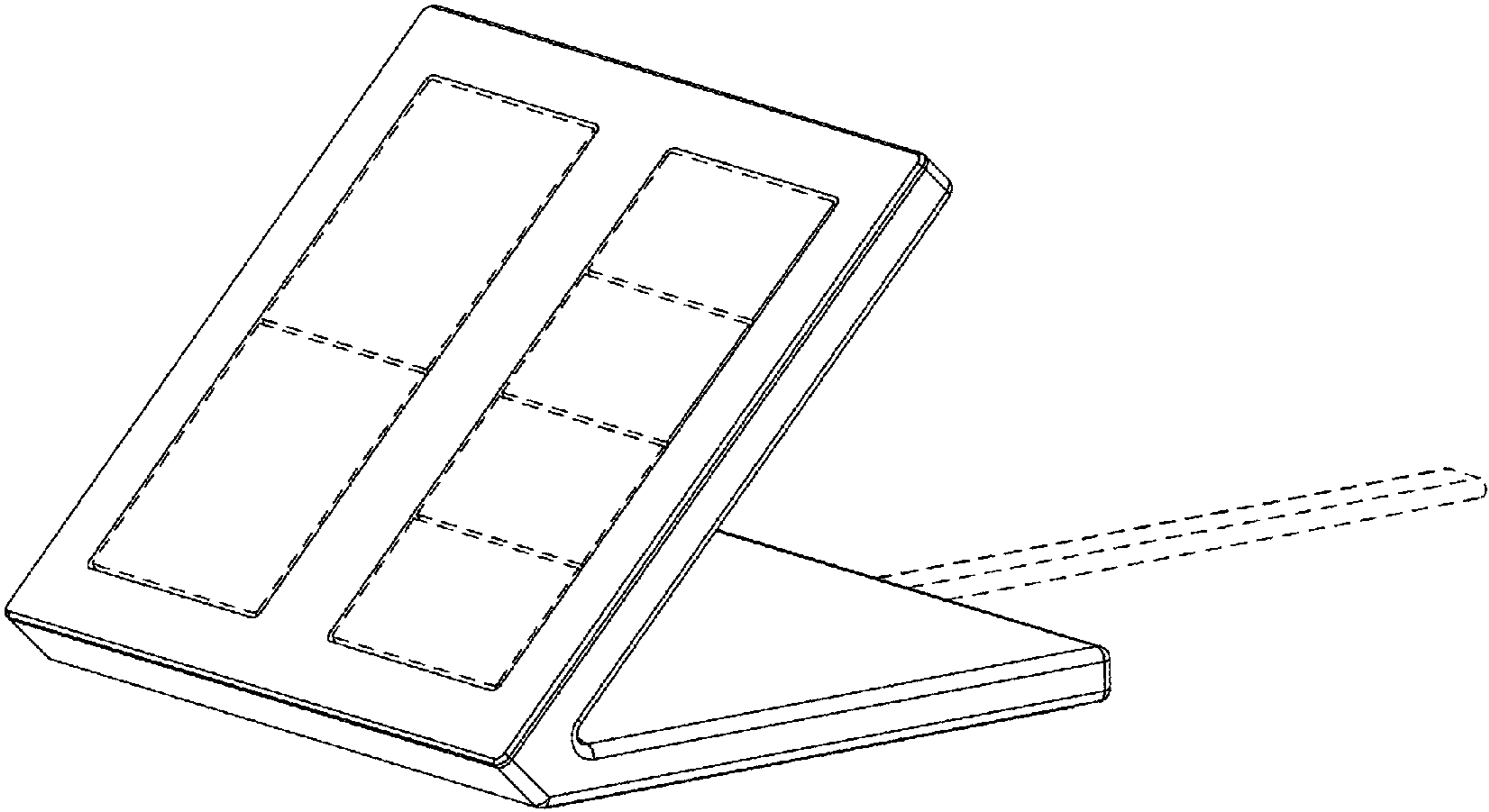


Fig. 1

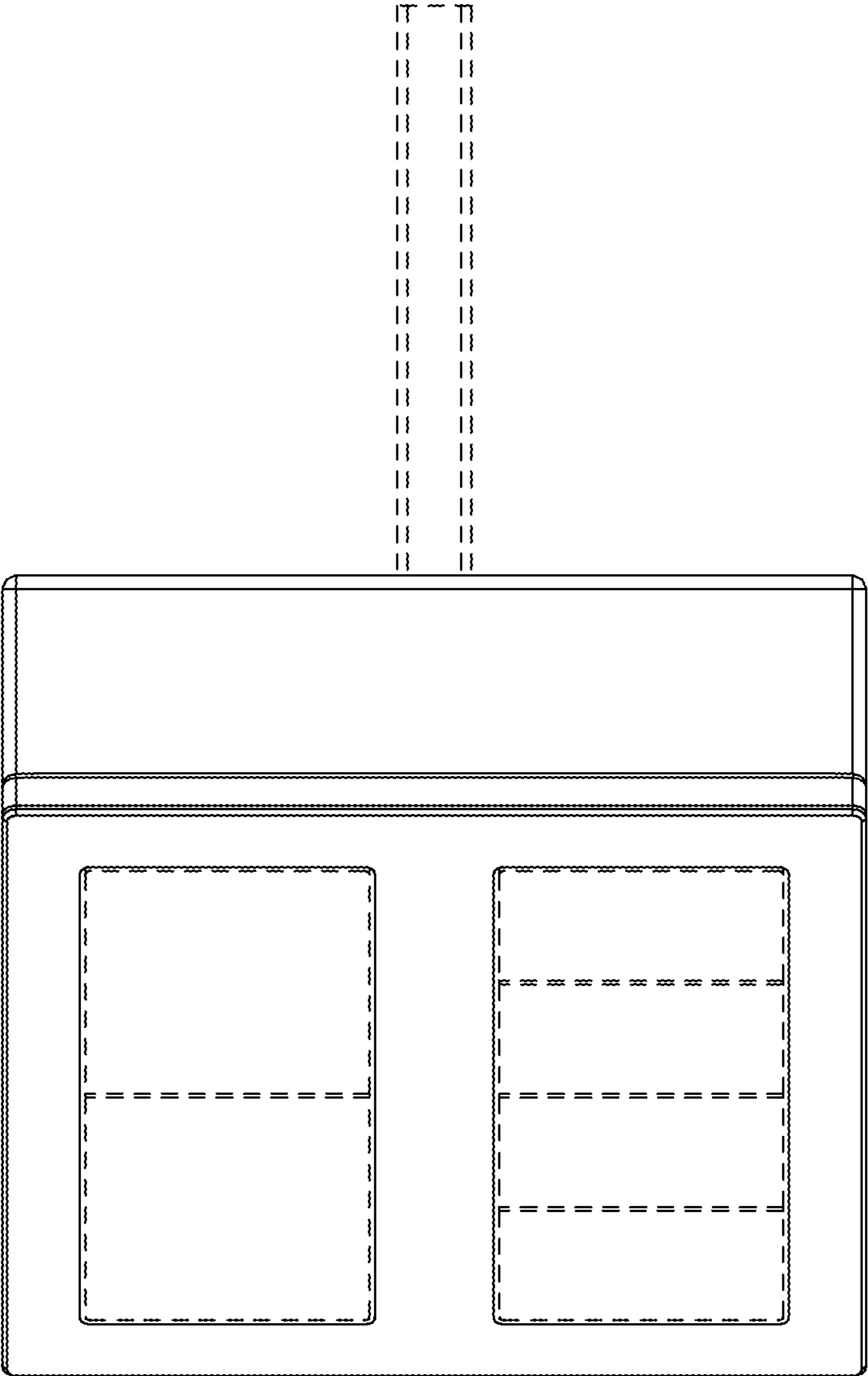


Fig. 2

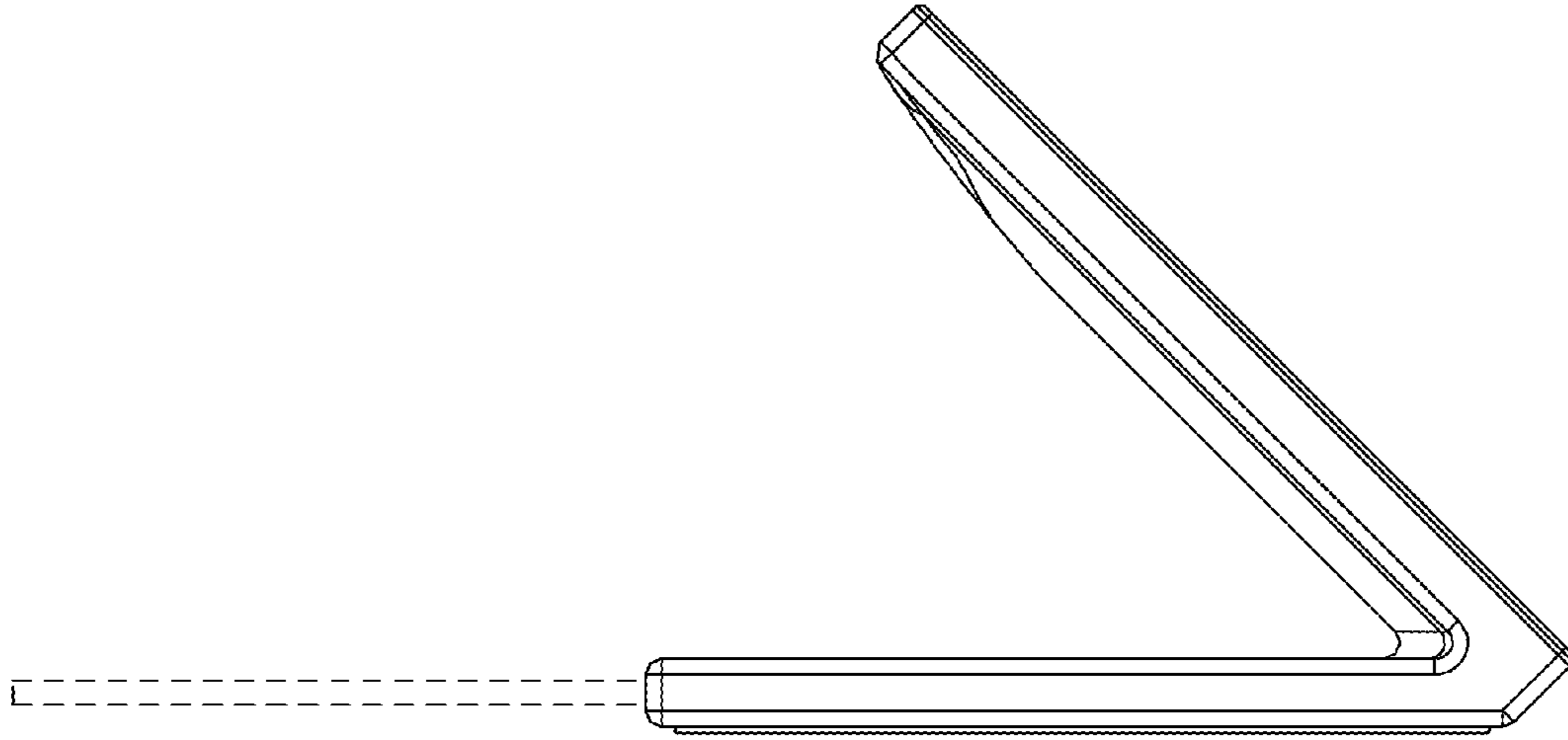


Fig. 3

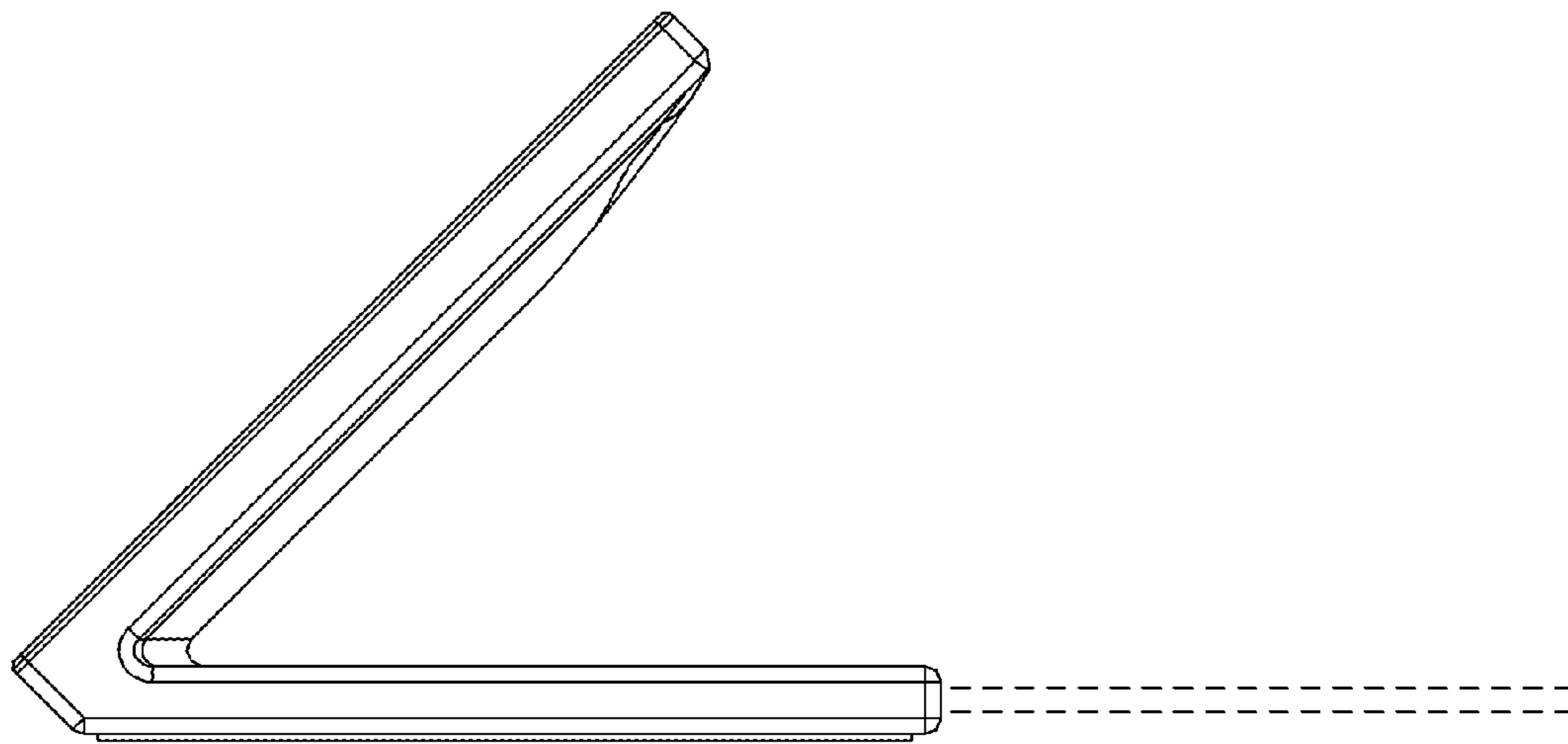


Fig. 4

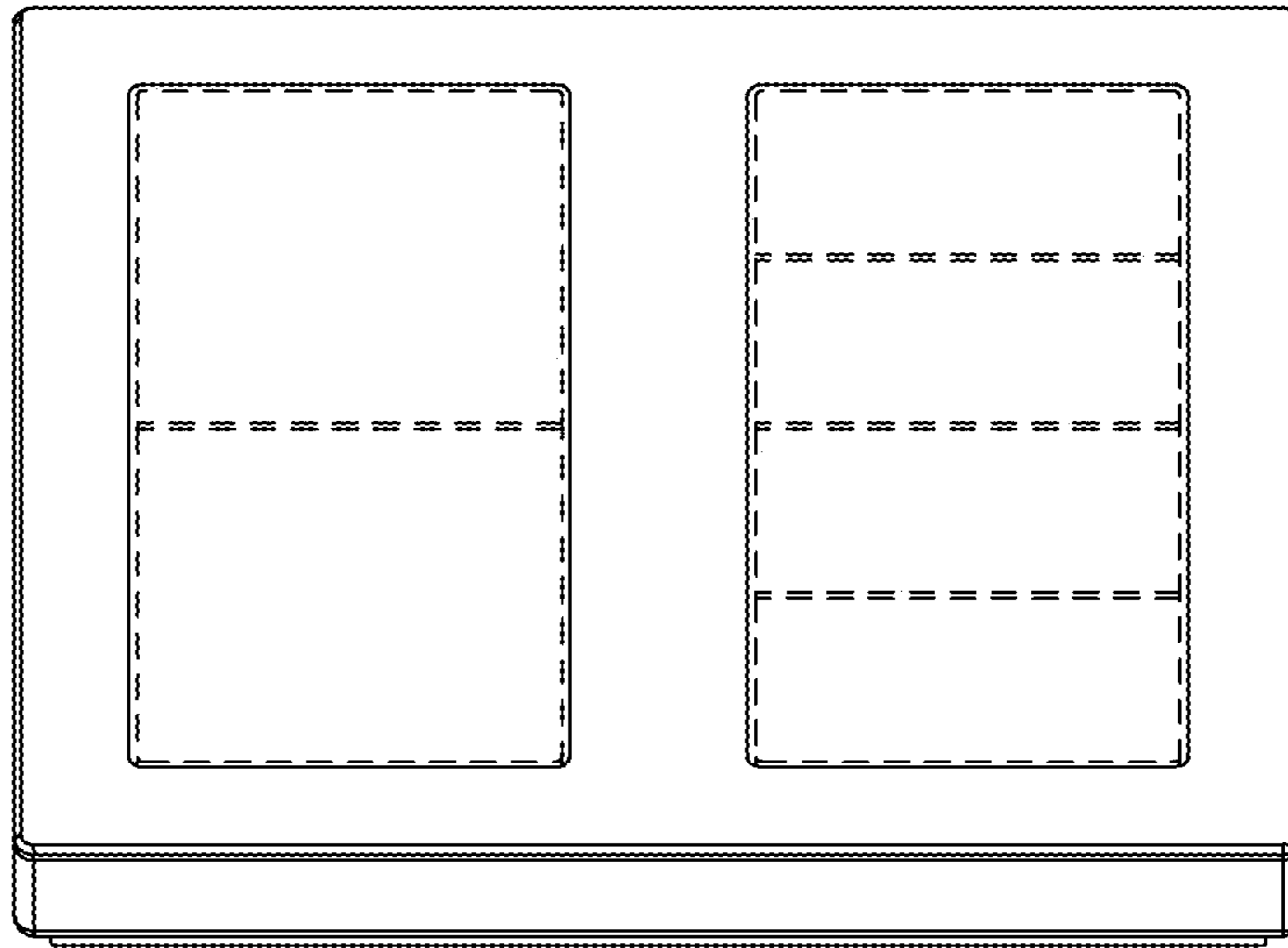


Fig. 5

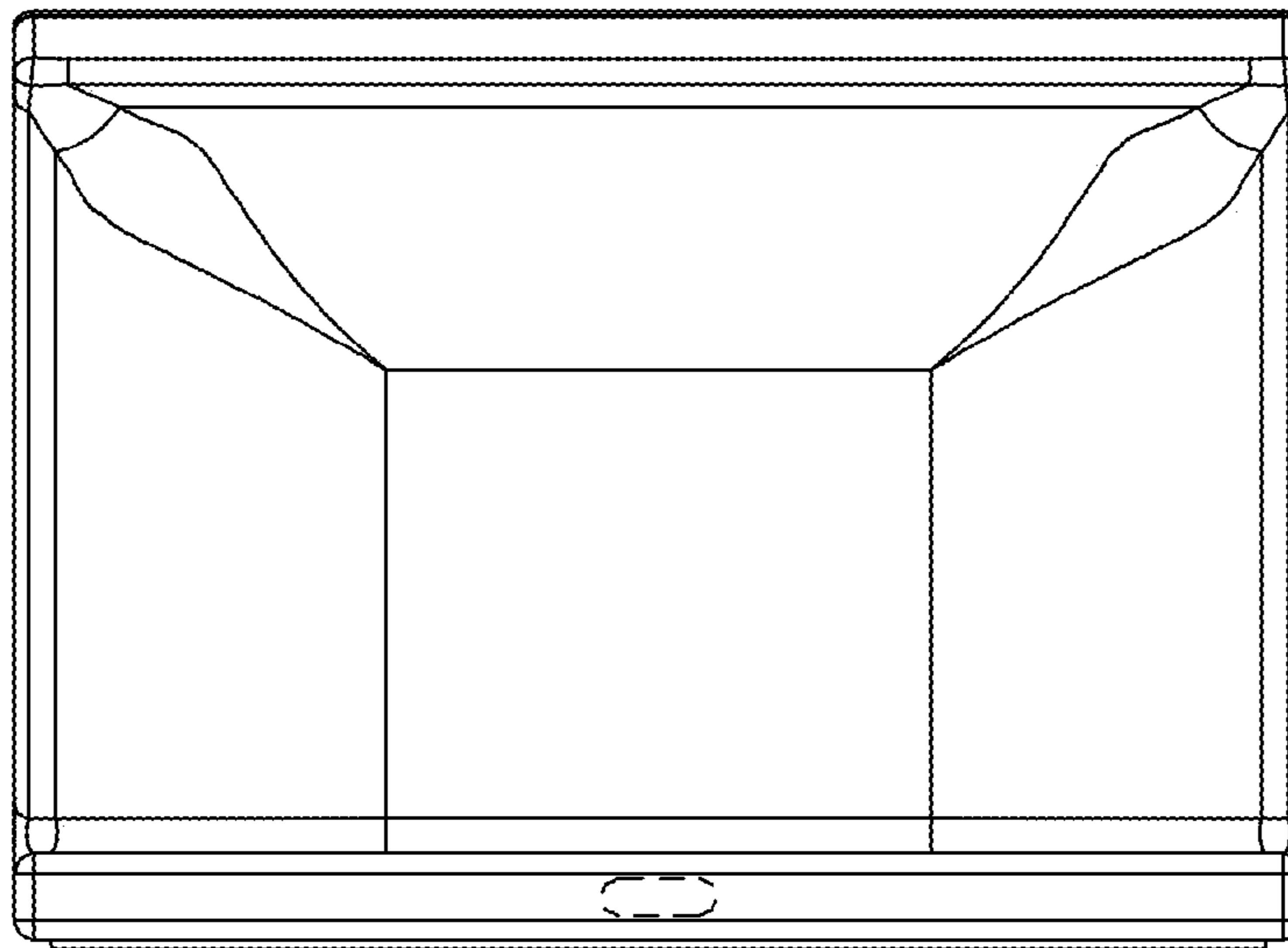


Fig. 6

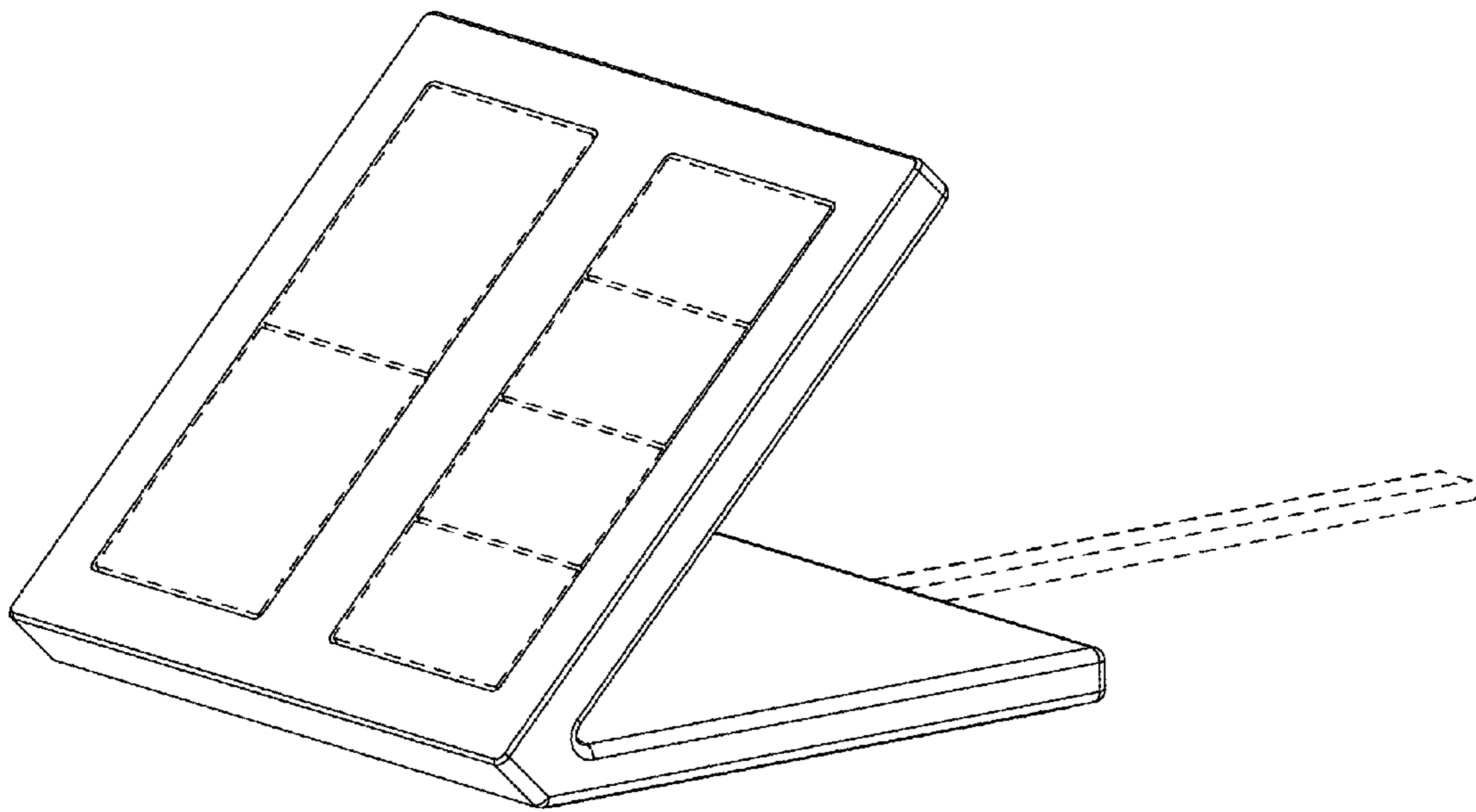


Fig. 7

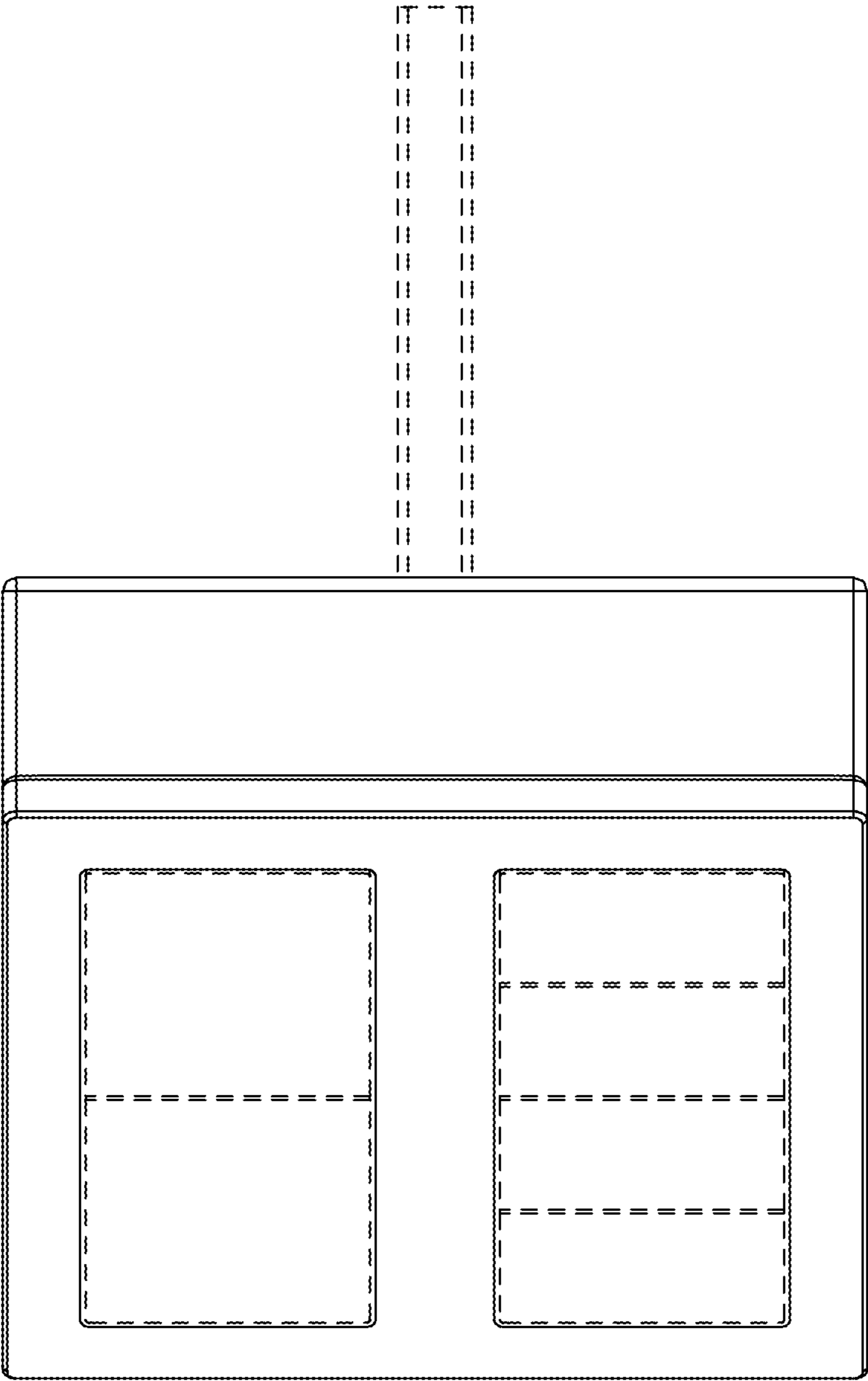


Fig. 8

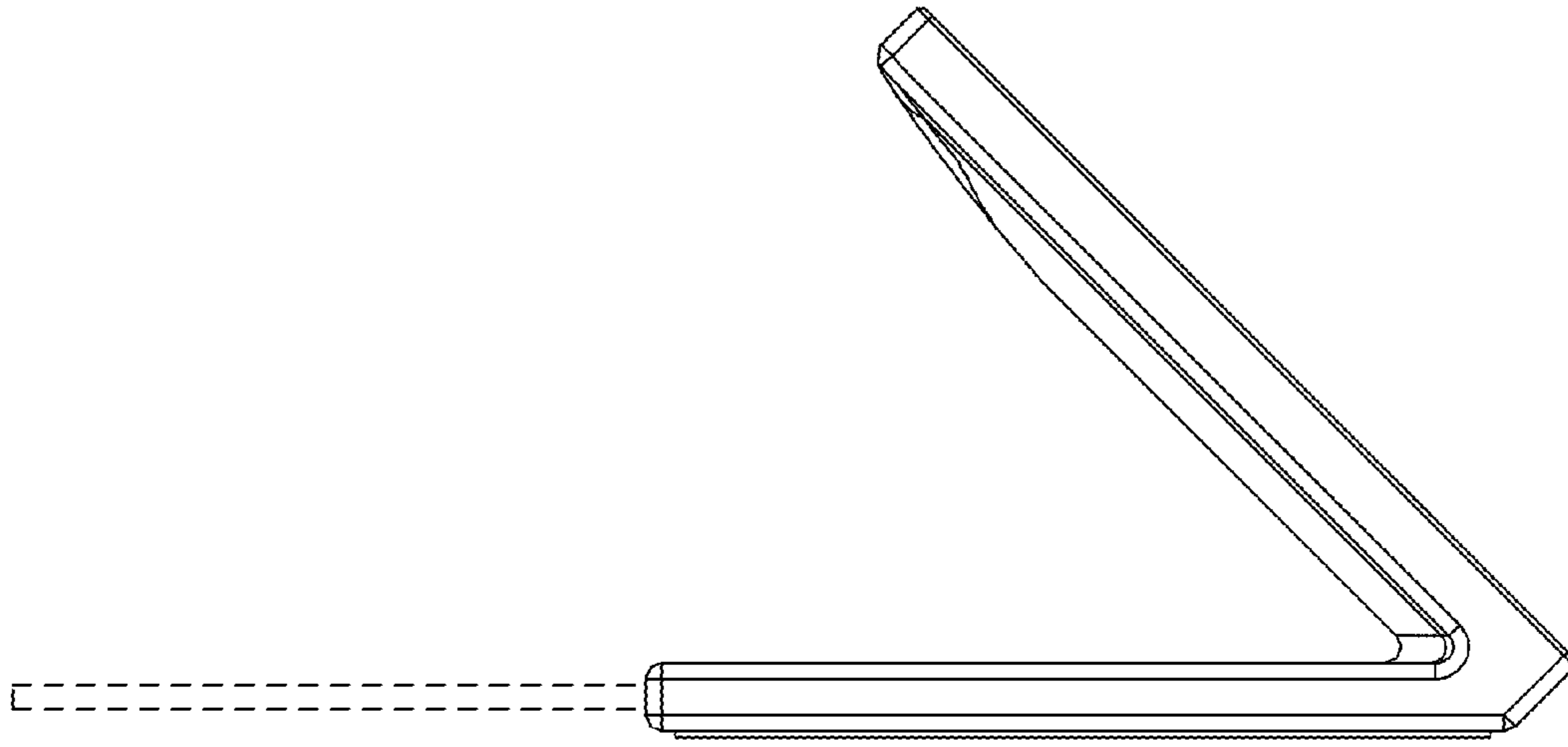


Fig. 9

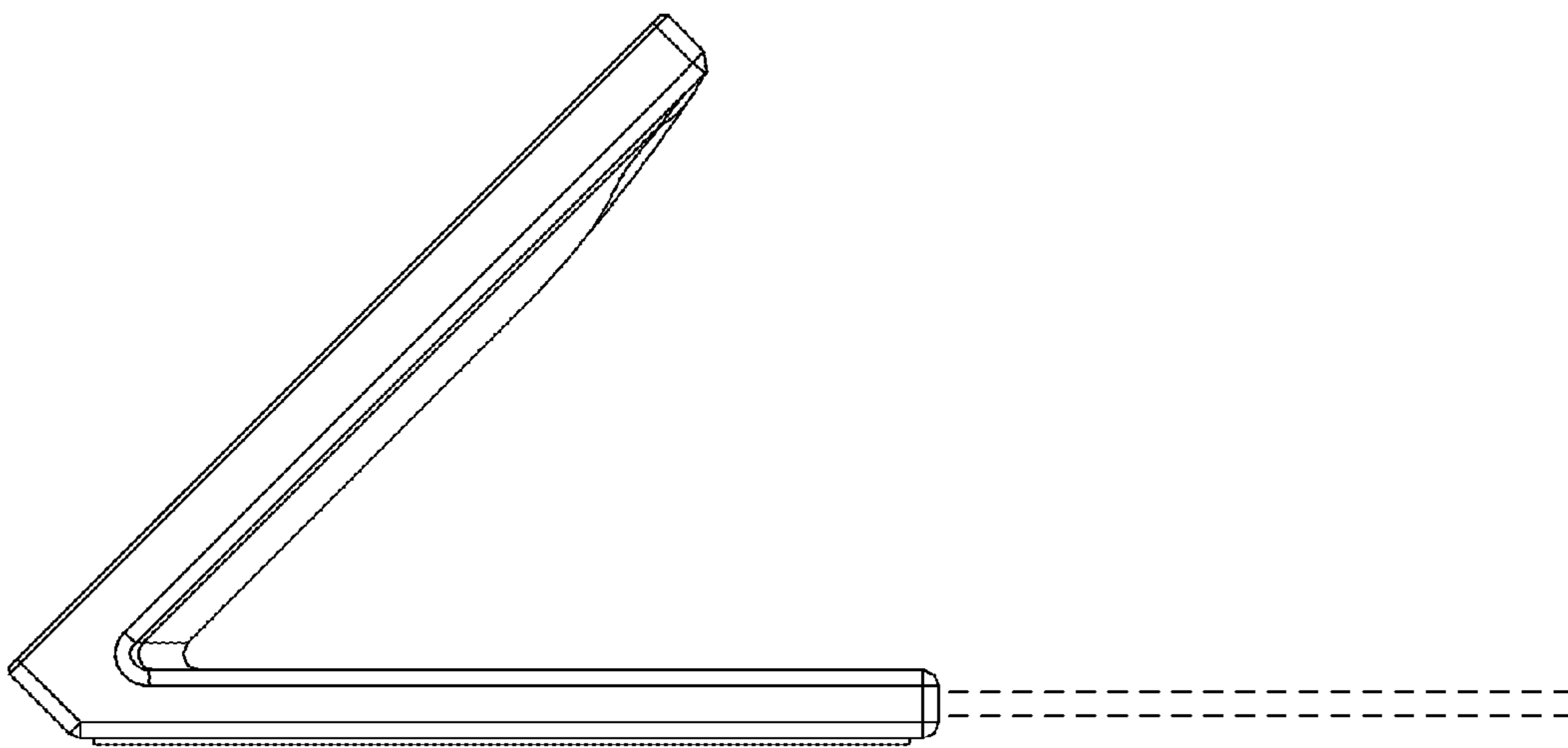


Fig. 10

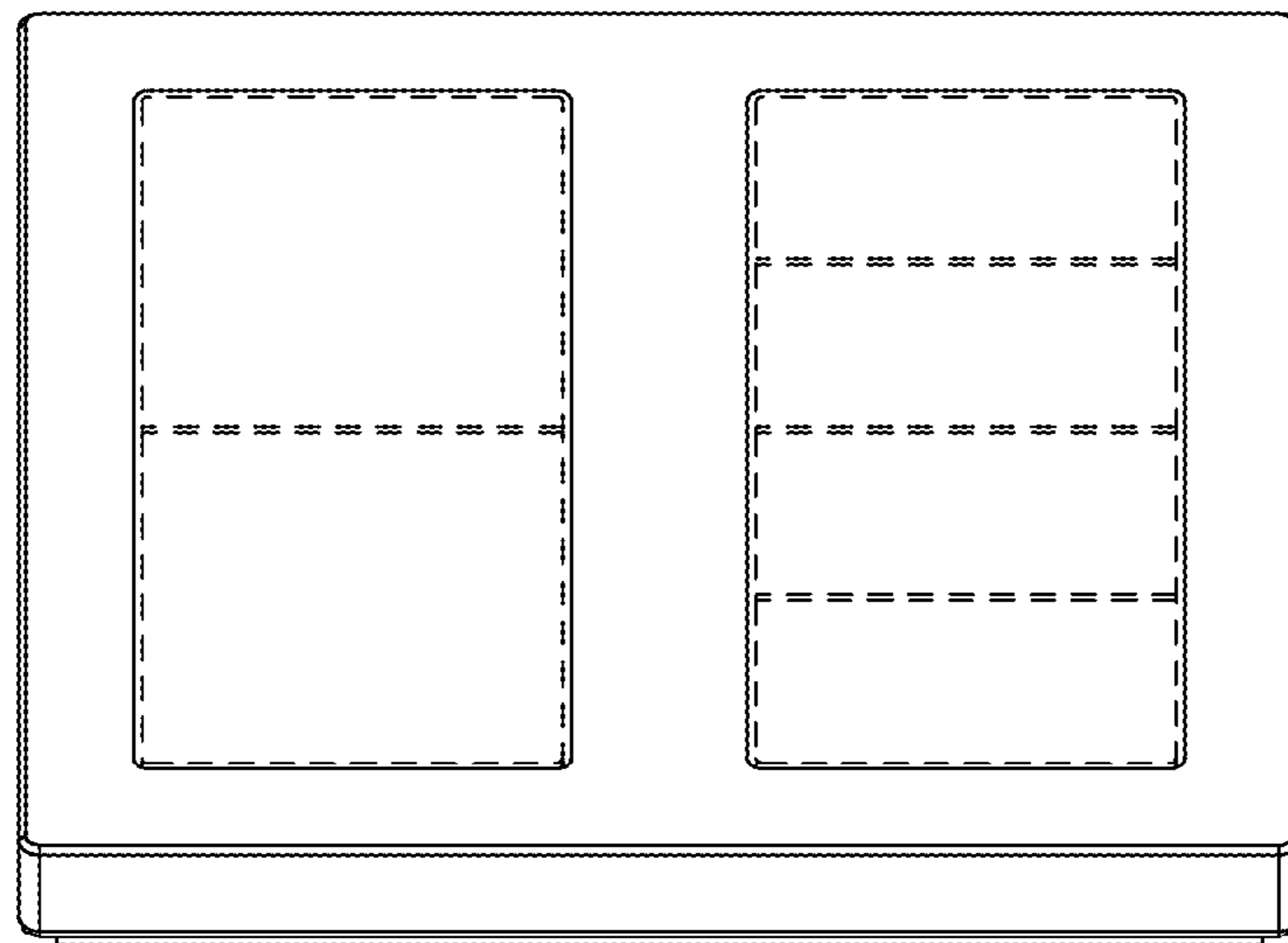


Fig. 11

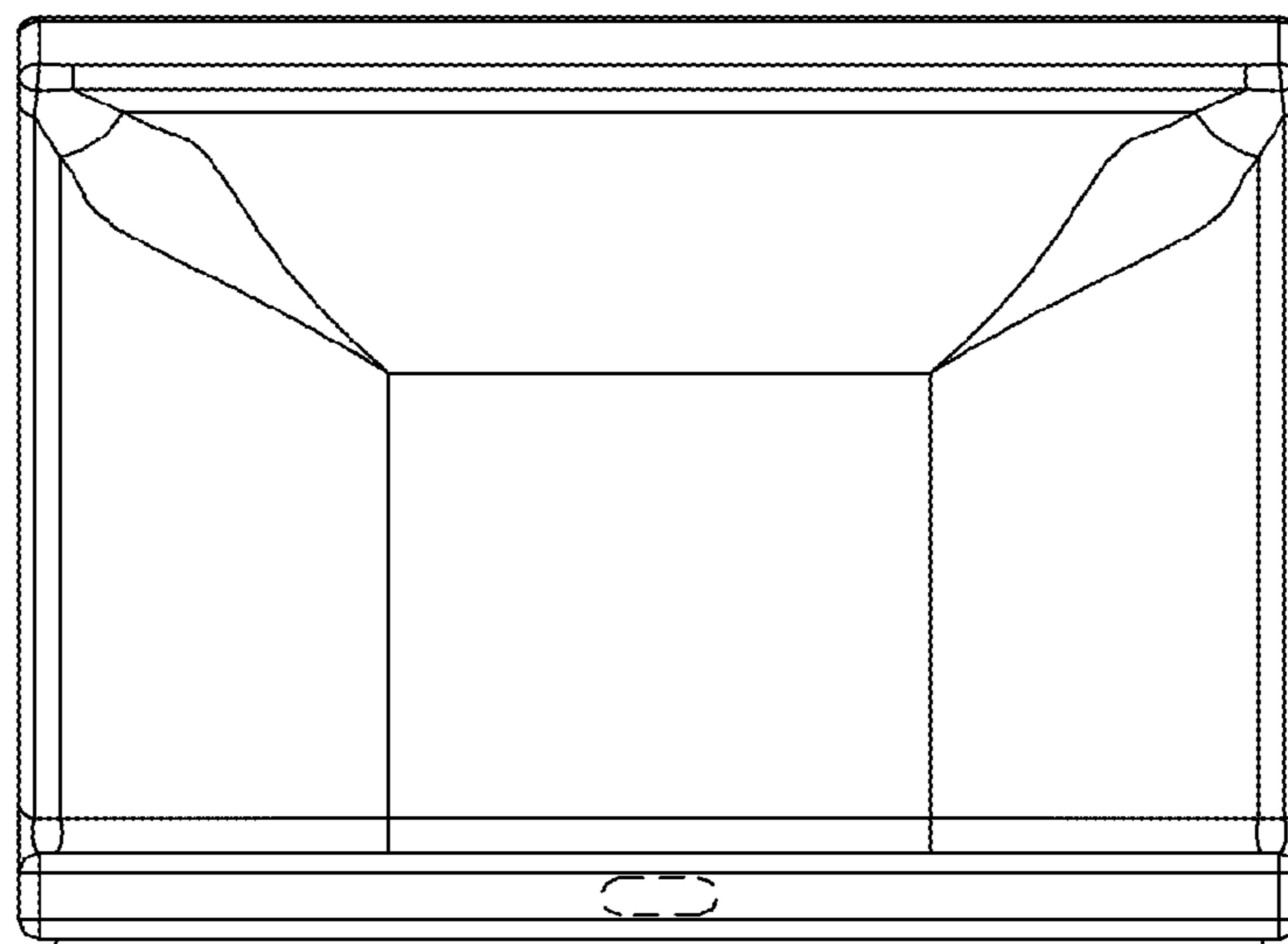


Fig. 12