



US00D767507S

(12) **United States Design Patent** (10) **Patent No.:** **US D767,507 S**  
**Eastman et al.** (45) **Date of Patent:** **\*\* Sep. 27, 2016**

(54) **REMOTE CONTROL**

- (71) Applicant: **Abbott Medical Optics Inc.**, Santa Ana, CA (US)
- (72) Inventors: **Brian J. Eastman**, Irvine, CA (US); **Timothy L. Hunter**, Irvine, CA (US); **Edith W. Fung**, Diamond Bar, CA (US); **Mitch Mallough**, Irvine, CA (US); **Catherine P. Ha**, Westminster, CA (US); **Dustin P. Hassell**, Rancho Santa Margarita, CA (US); **Anna Iwaniec Hickerson**, Altadena, CA (US); **Meng-Hsin Lin**, Arcadia, CA (US); **Joshua Lawrence Miller**, Dallas, TX (US); **Jonathan Louis Weaver**, Westlake Village, CA (US); **Joy Catherine Wong**, Anaheim, CA (US)
- (73) Assignee: **Abbott Medical Optics Inc.**, Santa Ana, CA (US)
- (\*\*) Term: **14 Years**
- (21) Appl. No.: **29/506,926**
- (22) Filed: **Oct. 22, 2014**

**Related U.S. Application Data**

- (63) Continuation-in-part of application No. 29/448,033, filed on Mar. 8, 2013, now abandoned, which is a continuation-in-part of application No. 29/416,068, filed on Mar. 17, 2012, now Pat. No. Des. 680,972.
- (51) **LOC (10) Cl.** ..... **14-03**
- (52) **U.S. Cl.**  
USPC ..... **D13/168**
- (58) **Field of Classification Search**  
USPC ..... D13/168; D14/218; D24/138, 186  
CPC ..... H03J 1/0025; H03J 9/00; H03J 9/02; H03J 9/04; H03J 9/06; H04B 1/202; G05B 11/01; A61M 5/14244; A61M 5/172; A61M 2505/3553; A61M 2505/3592  
See application file for complete search history.

(56) **References Cited**

U.S. PATENT DOCUMENTS

D348,435 S *	7/1994	Farinelli .....	D13/168
D349,677 S *	8/1994	Avitan .....	D12/192
D364,350 S *	11/1995	Pasquarette .....	D10/50
5,810,770 A	9/1998	Chin et al.	
D421,986 S	3/2000	Foote	
D460,052 S	7/2002	Olen	
D460,053 S	7/2002	Choi	
D475,026 S	5/2003	Buczek et al.	
D480,056 S	9/2003	Arcieri	
D482,664 S	11/2003	Hunt et al.	
6,689,091 B2	2/2004	Bui et al.	
6,872,200 B2	3/2005	Mann et al.	
D526,623 S	8/2006	Yin et al.	
D614,145 S	4/2010	Arosio	
D614,587 S	4/2010	Yodfat et al.	
D633,910 S	3/2011	Cacioppo et al.	
8,029,459 B2	10/2011	Rush et al.	

(Continued)

*Primary Examiner* — Selina Sikder

(74) *Attorney, Agent, or Firm* — Abbott Medical Optics Inc.

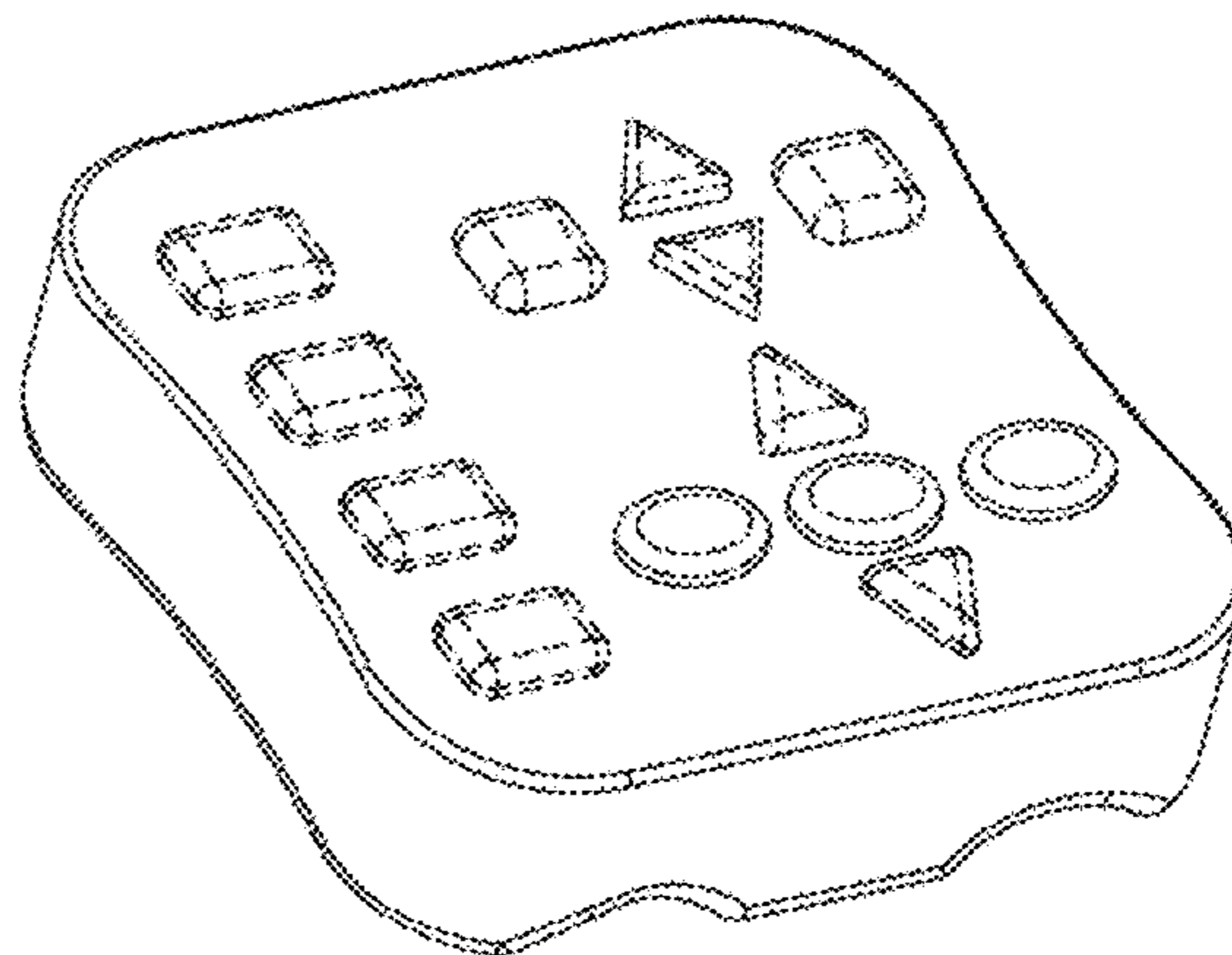
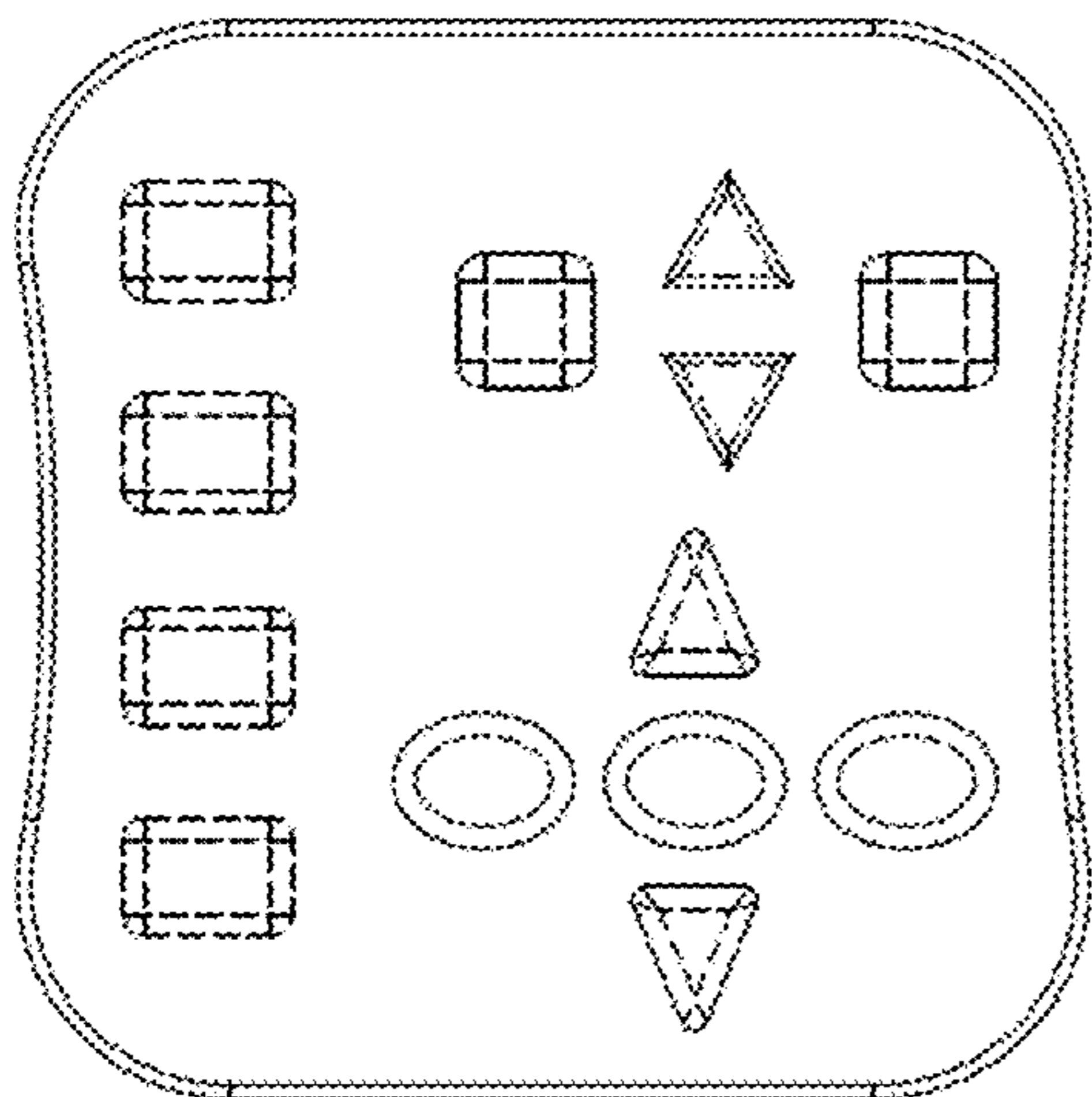
(57) **CLAIM**

We claim the ornamental design for a remote control, substantially as shown and described.

**DESCRIPTION**

FIG. 1 is a top view of a remote control showing our new design;  
 FIG. 2 is a perspective view thereof;  
 FIG. 3 is a side view thereof; and,  
 FIG. 4 is bottom perspective view thereof.  
 FIGS. 1-3 show features of a remote control with broken lines. These features are for illustrating reference or environmental structure only and do not form any part of the claim design.  
 Remote control for use with a surgical system.

**1 Claim, 4 Drawing Sheets**



# US D767,507 S

Page 2

---

(56)

## References Cited

### U.S. PATENT DOCUMENTS

D680,972 S \* 4/2013 Hunter ..... D13/168  
D721,814 S \* 1/2015 Creed ..... D13/168

D725,606 S \* 3/2015 Eastman ..... D13/168  
2003/0055406 A1 3/2003 Lebel et al.  
2005/0137530 A1 6/2005 Campbell et al.  
2008/0312585 A1 12/2008 Brukalo et al.

\* cited by examiner

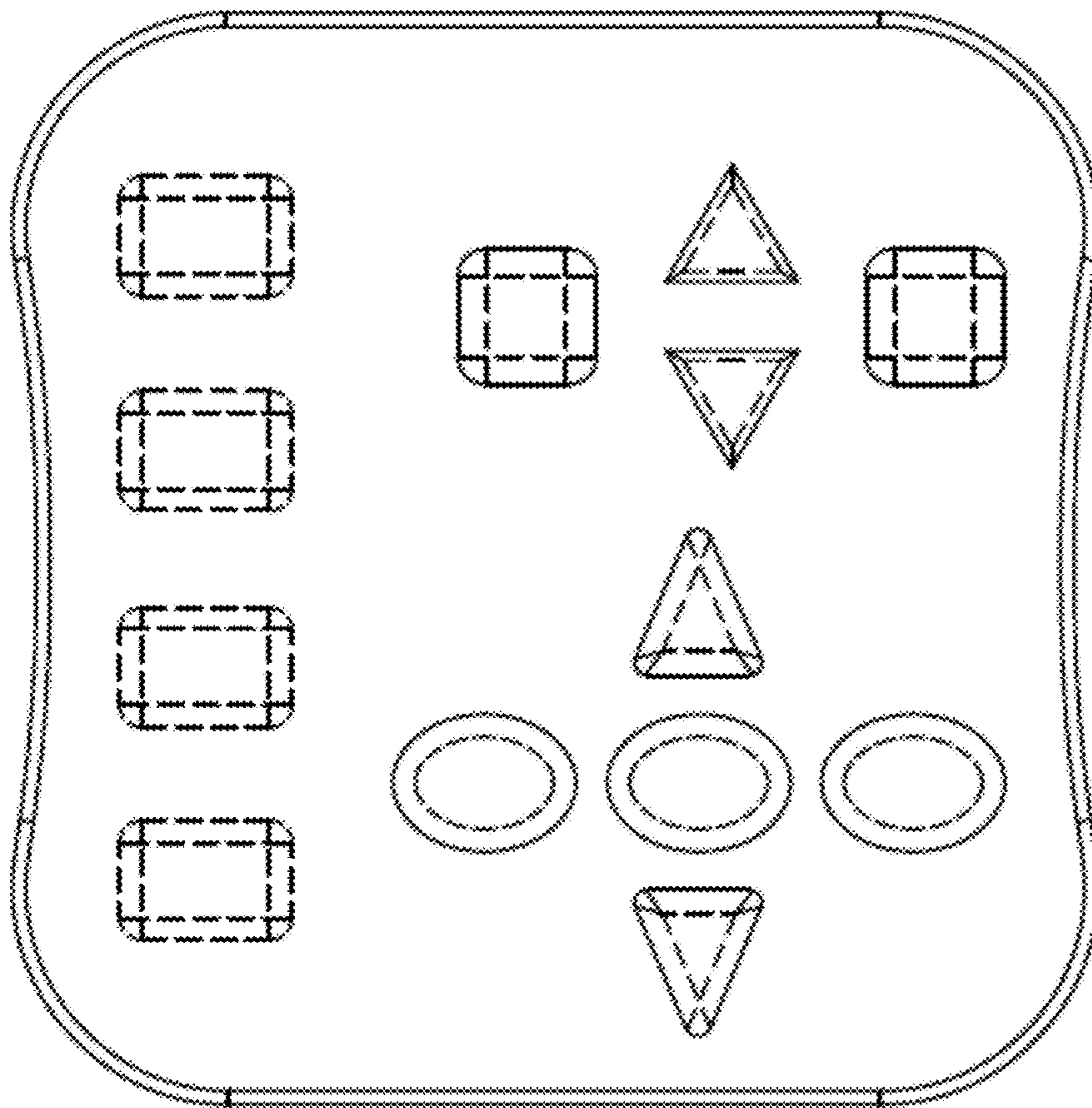


FIG. 1

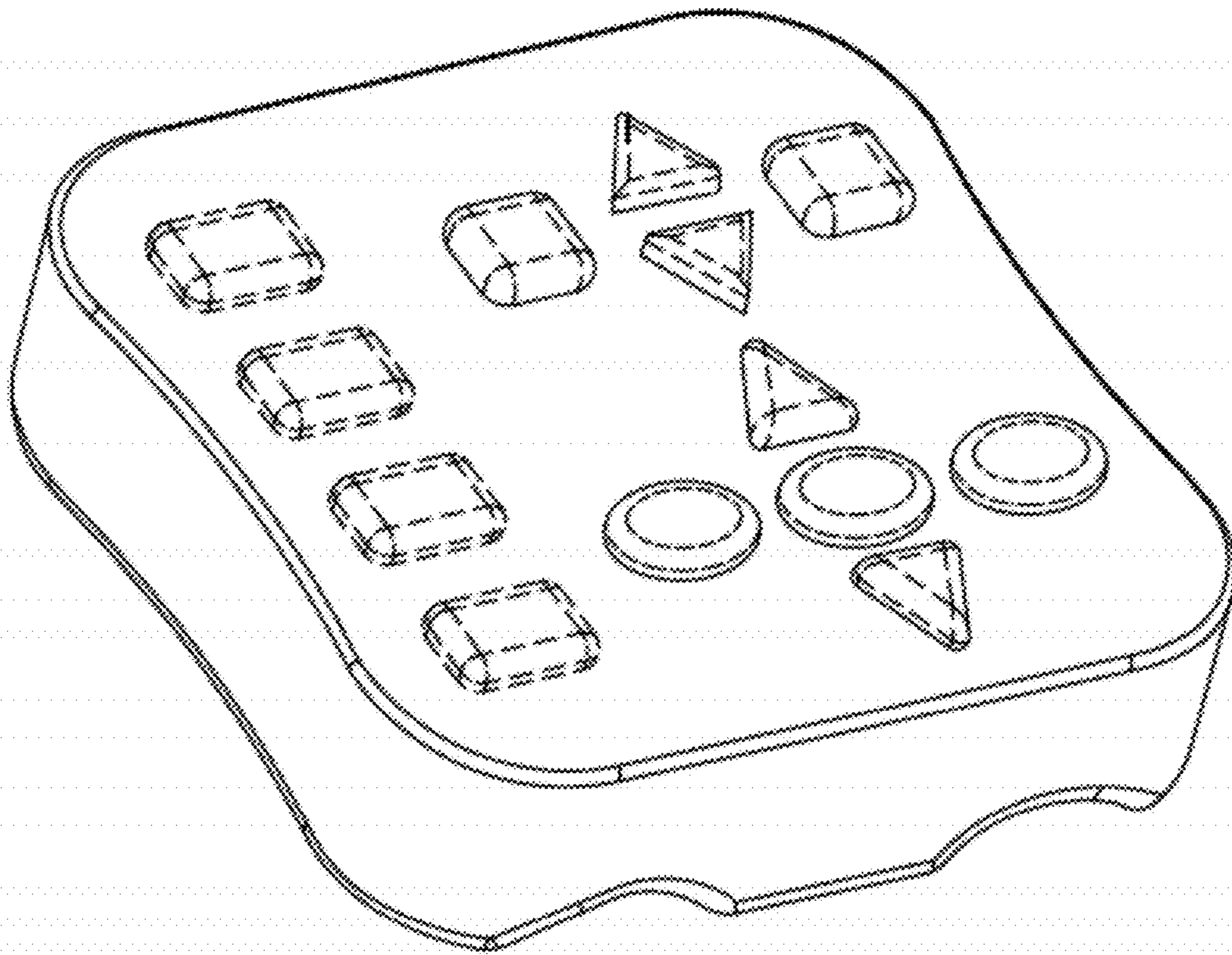


FIG. 2

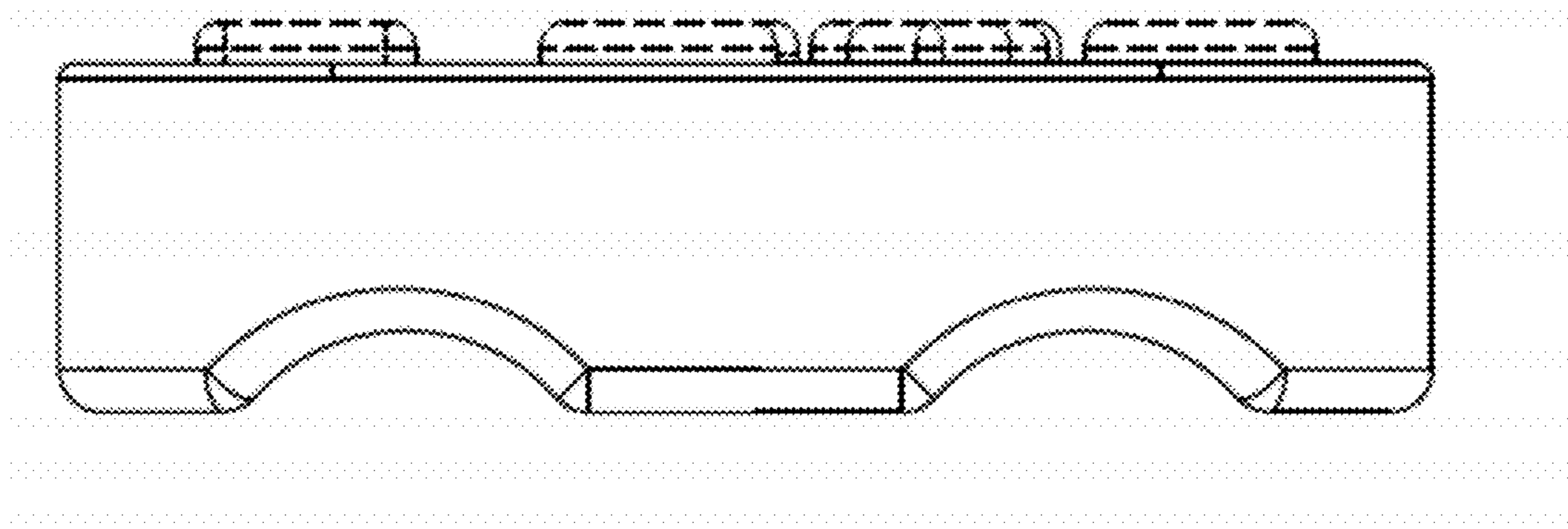


FIG. 3

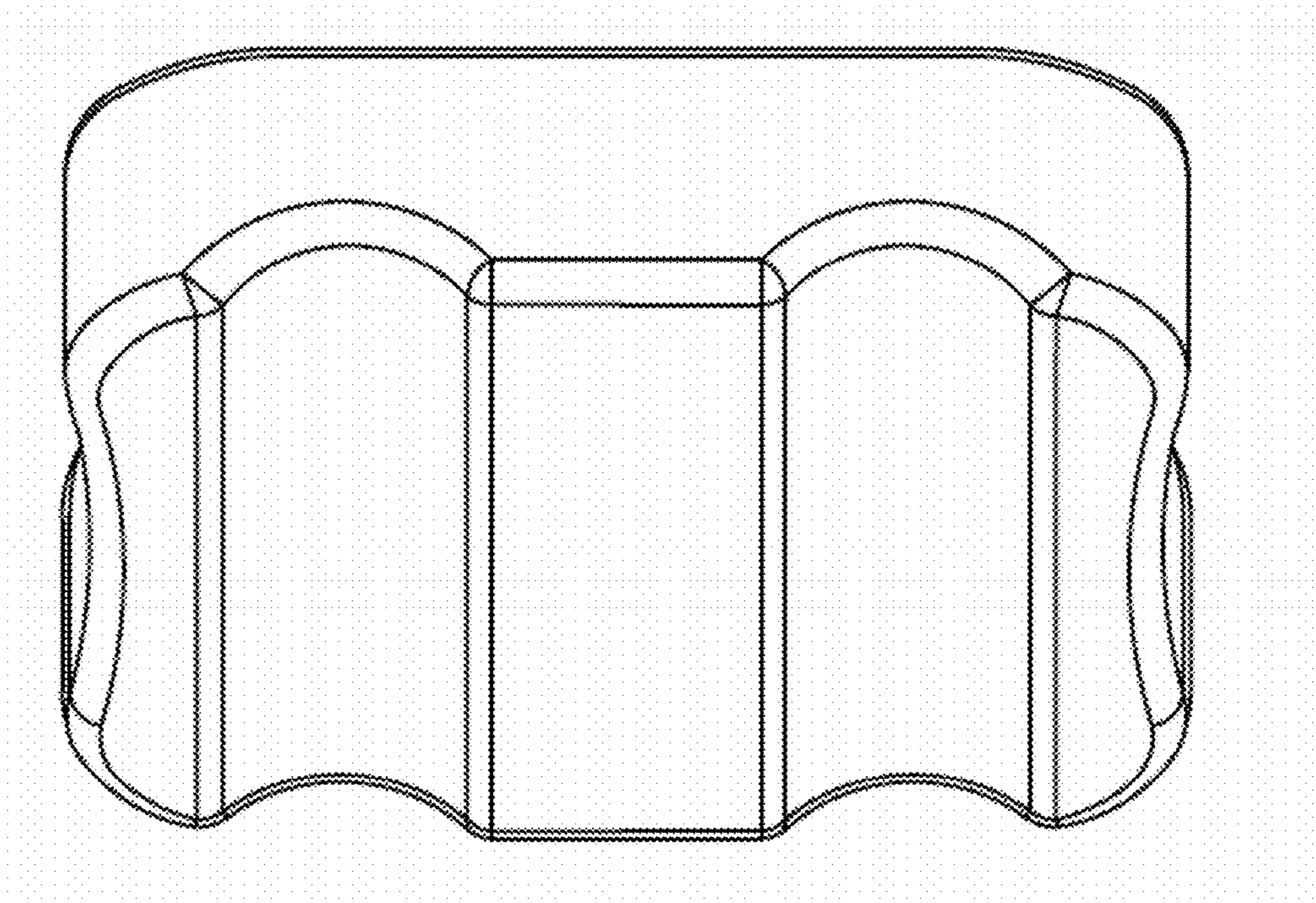


FIG. 4

UNITED STATES PATENT AND TRADEMARK OFFICE  
**CERTIFICATE OF CORRECTION**

PATENT NO. : D767,507 S  
APPLICATION NO. : 29/506926  
DATED : September 27, 2016  
INVENTOR(S) : Eastman et al.

Page 1 of 1

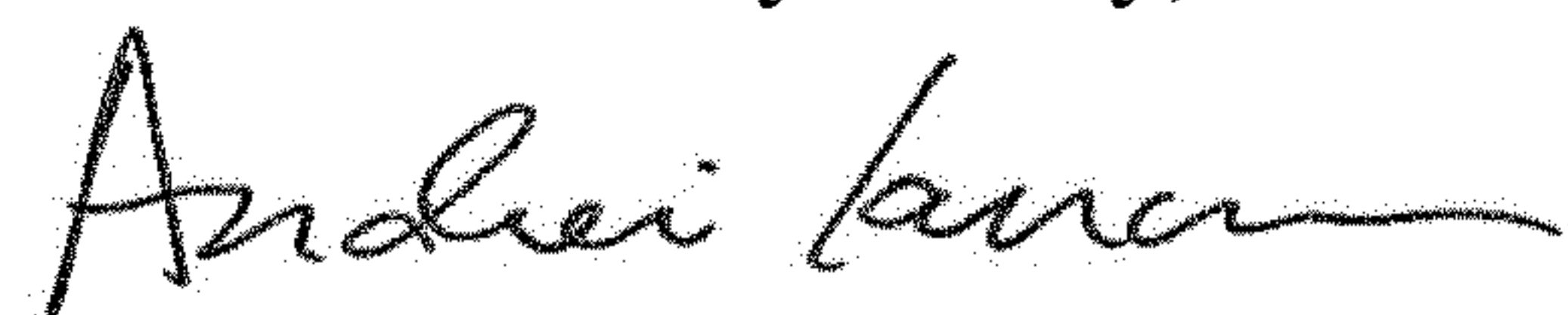
It is certified that error appears in the above-identified patent and that said Letters Patent is hereby corrected as shown below:

On the Title Page

Please add following inventor to item (72) Inventors:

--James Anthony Trzaskos, Greenville, TX (US)--

Signed and Sealed this  
Sixteenth Day of July, 2019



Andrei Iancu  
*Director of the United States Patent and Trademark Office*