



US00D767506S

(12) **United States Design Patent**  
**Lewis**

(10) **Patent No.:** **US D767,506 S**  
(45) **Date of Patent:** **\*\* Sep. 27, 2016**

(54) **SINGLE FOOT PEDAL CONTROL**

(71) Applicant: **Linemaster Switch Corporation,**  
Woodstock, CT (US)

(72) Inventor: **Sean Lewis,** Holland, MA (US)

(\*\*) Term: **15 Years**

(21) Appl. No.: **29/543,892**

(22) Filed: **Oct. 29, 2015**

(51) **LOC (10) Cl.** ..... **13-03**

(52) **U.S. Cl.**  
USPC ..... **D13/167**

(58) **Field of Classification Search**  
USPC ..... D13/167; D24/179; D17/20, 99  
CPC ..... A61B 17/00; A61B 2017/00973;  
A61C 1/0023; H01H 3/14; H01H 13/14;  
H01H 13/16; H01H 21/26; G06F 3/0334  
See application file for complete search history.

(56) **References Cited**

**U.S. PATENT DOCUMENTS**

D517,022 S *	3/2006	Pollard	.....	D13/167
D517,501 S *	3/2006	Kotyk	.....	D13/167
D542,739 S *	5/2007	Pollard	.....	D13/167
D542,740 S *	5/2007	Pollard	.....	D13/167
D559,200 S *	1/2008	Schurg	.....	D13/167
7,428,439 B1 *	9/2008	Reynolds	.....	G06F 3/0383 318/400.18
D589,460 S *	3/2009	Yang	.....	D13/167
7,498,532 B2 *	3/2009	Kuhner	.....	H01H 3/14 200/86.5
D592,157 S *	5/2009	Shields	.....	D13/167
D623,209 S *	9/2010	Matuschek	.....	D13/167
D665,756 S *	8/2012	Tseng	.....	D13/167
D669,441 S *	10/2012	Naef	.....	D13/167
D713,529 S *	9/2014	Li	.....	D13/167
8,853,571 B2 *	10/2014	Tseng	.....	H01H 13/16 200/86.5
9,035,165 B2 *	5/2015	Cho	.....	G10H 1/0008 84/746

2005/0172404 A1 *	8/2005	Diller	.....	A61G 13/02 5/616
2009/0205937 A1 *	8/2009	Kuehner	.....	H01H 21/26 200/86.5
2010/0123604 A1 *	5/2010	Shields	.....	A61B 1/00016 341/20
2010/0241115 A1 *	9/2010	Benamou	.....	A61B 18/1233 606/33
2011/0011708 A1 *	1/2011	Ellafrits	.....	A61B 6/00 200/86.5
2013/0168212 A1 *	7/2013	Tseng	.....	H01H 13/16 200/86.5
2015/0216513 A1 *	8/2015	Hamel	.....	A61B 17/32002 340/12.5
2016/0067010 A1 *	3/2016	Nam	.....	A61C 1/084 433/27

\* cited by examiner

*Primary Examiner* — Selina Sikder

(57) **CLAIM**

The ornamental design for a single foot pedal control, as shown and described.

**DESCRIPTION**

FIG. 1 is a perspective view of the single foot pedal control showing my new design;

FIG. 2 is a front view of the single foot pedal control of FIG. 1;

FIG. 3 is a rear view of the single foot pedal control of FIG. 1;

FIG. 4 is a left side view of the single foot pedal control of FIG. 1;

FIG. 5 is a right side view of the single foot pedal control of FIG. 1;

FIG. 6 is a top view of the single foot pedal control of FIG. 1; and,

FIG. 7 is a bottom view of the single foot pedal control of FIG. 1.

The broken lines in FIG. 7 are illustrative of environmental structure only and form no part of the claimed design.

**1 Claim, 7 Drawing Sheets**

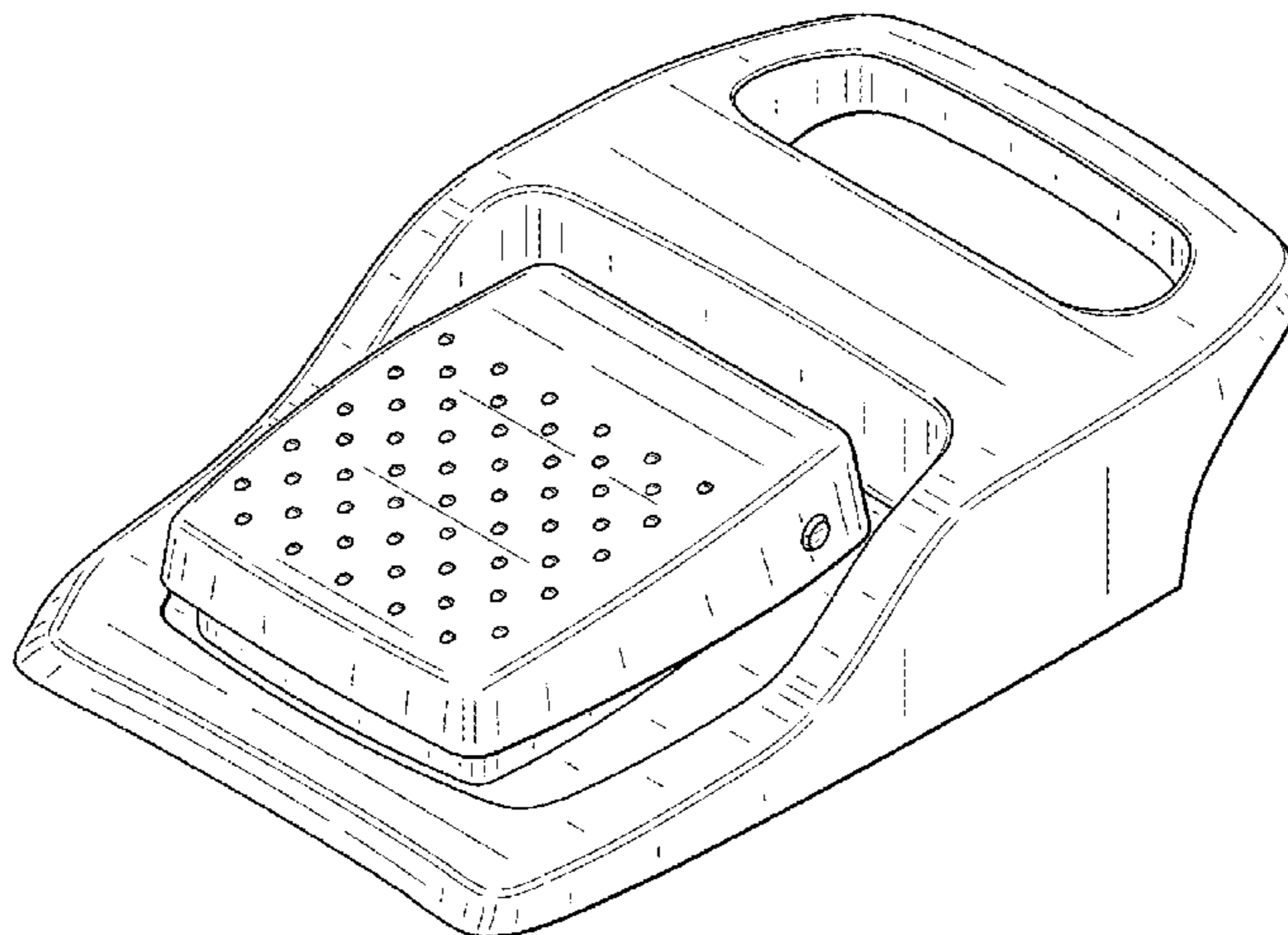


FIG. 1

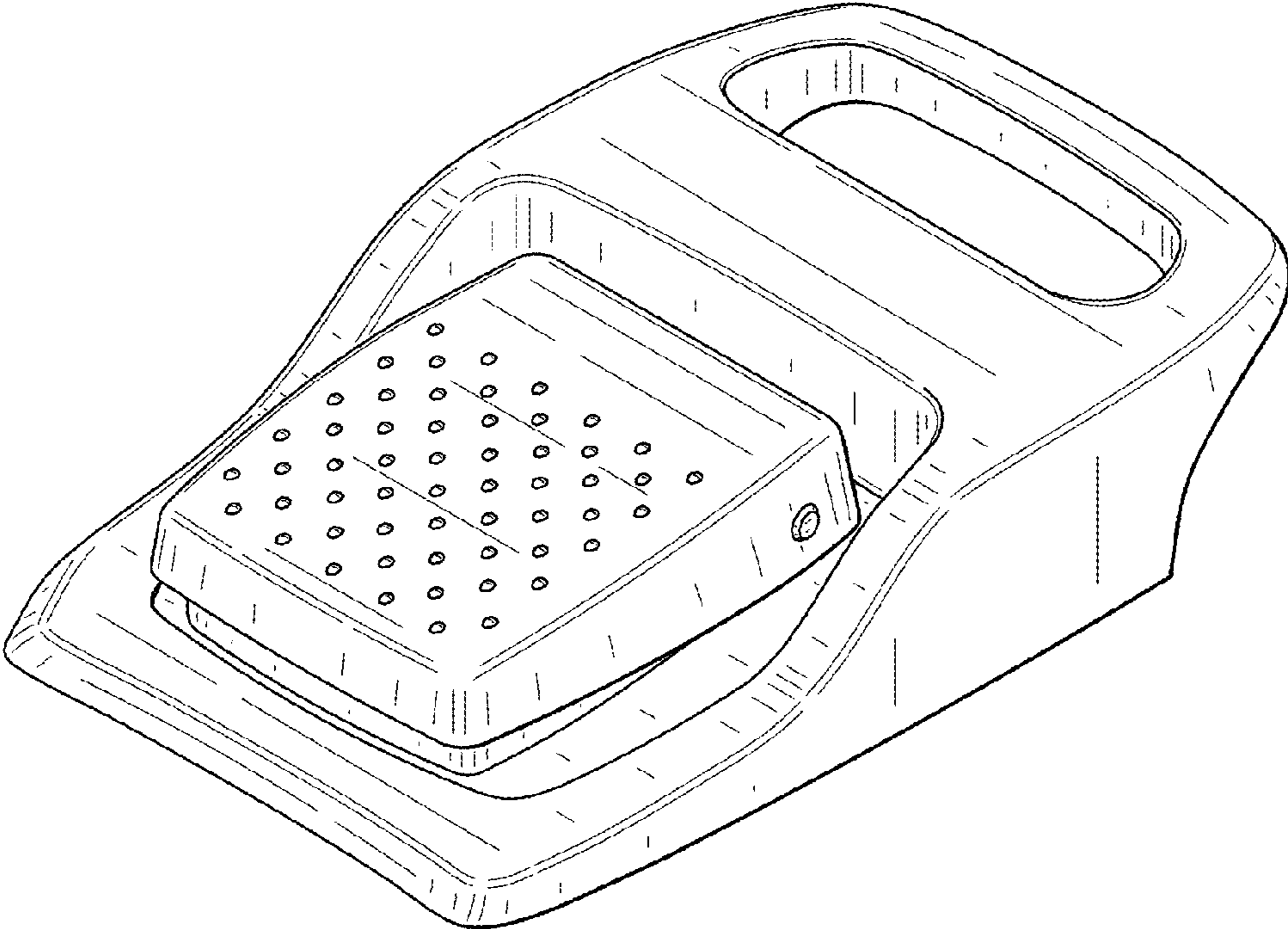


FIG. 2

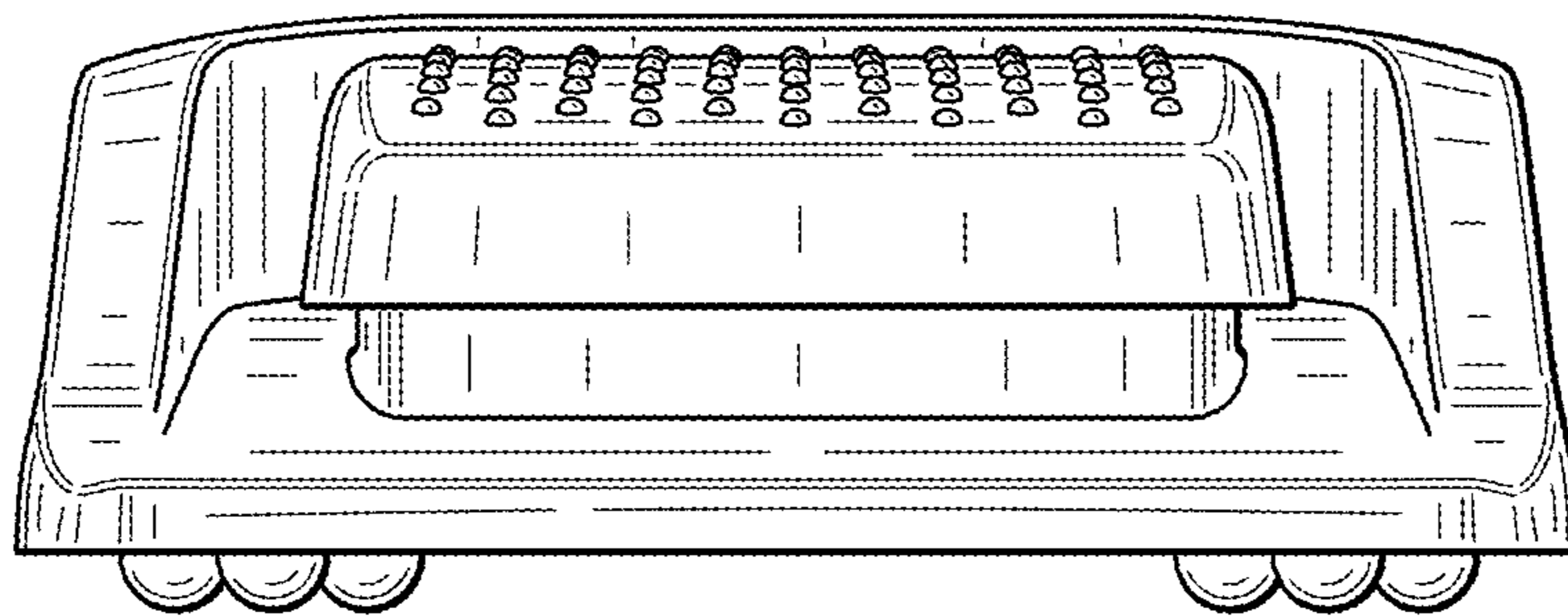


FIG. 3

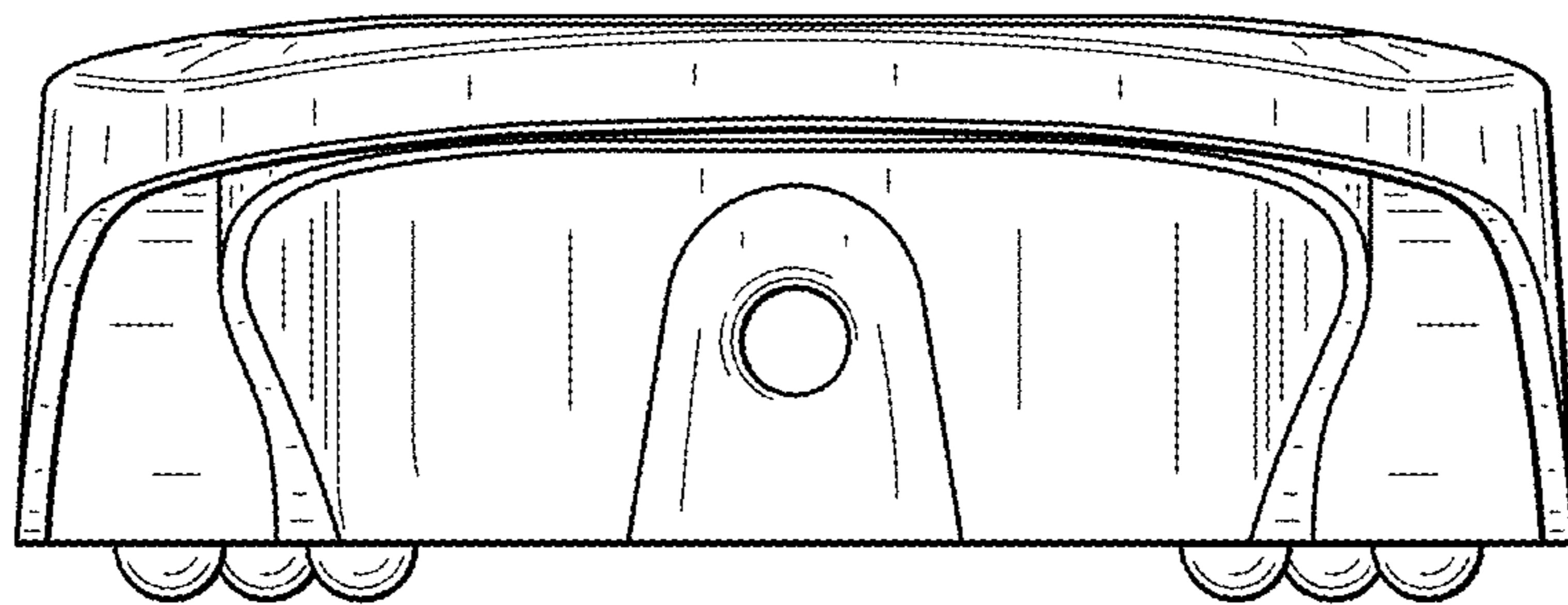


FIG. 4

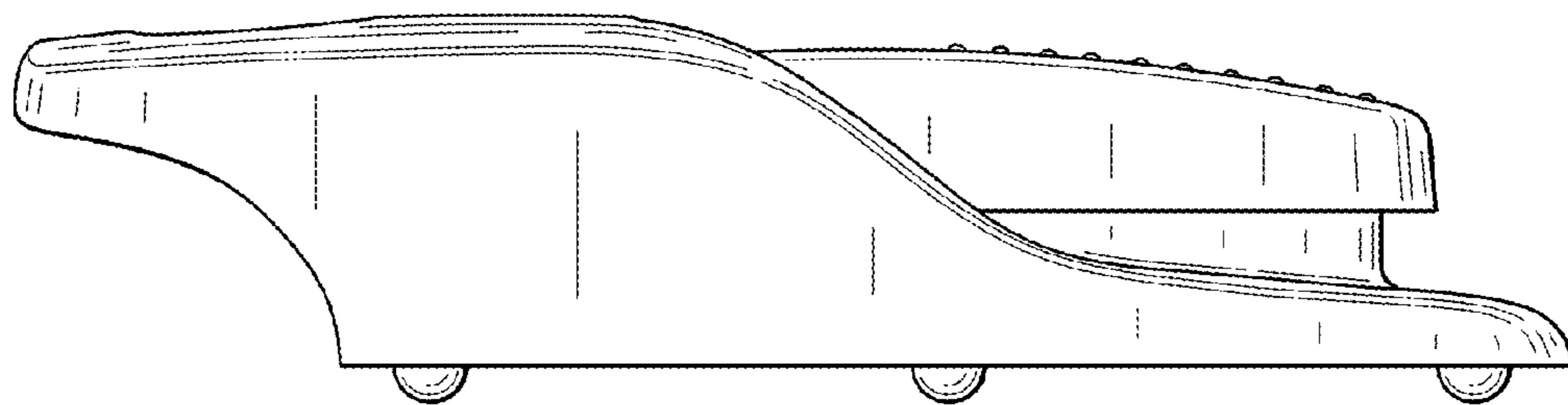


FIG. 5

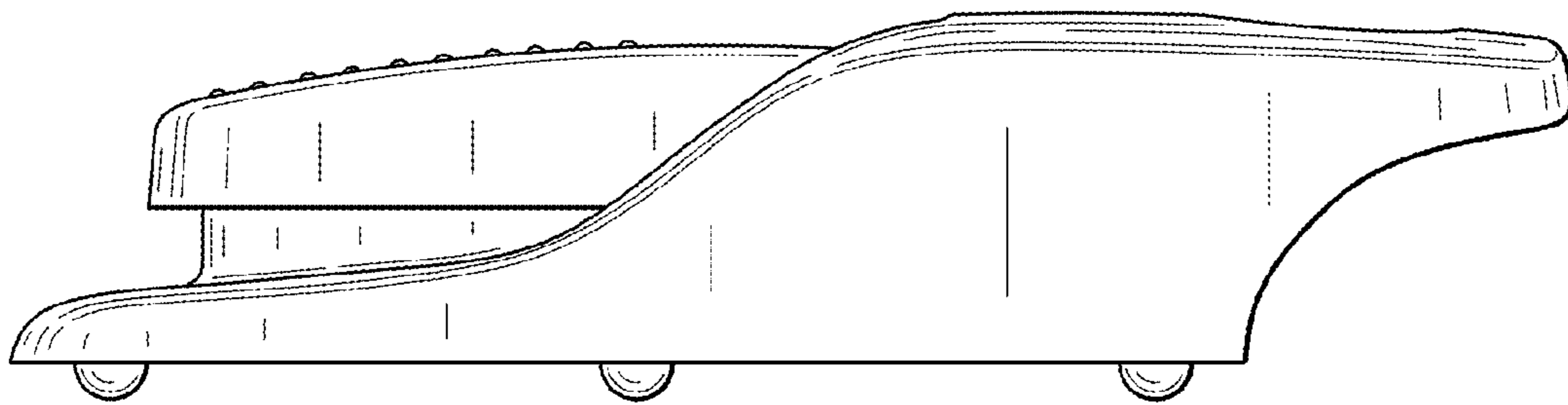




FIG. 6

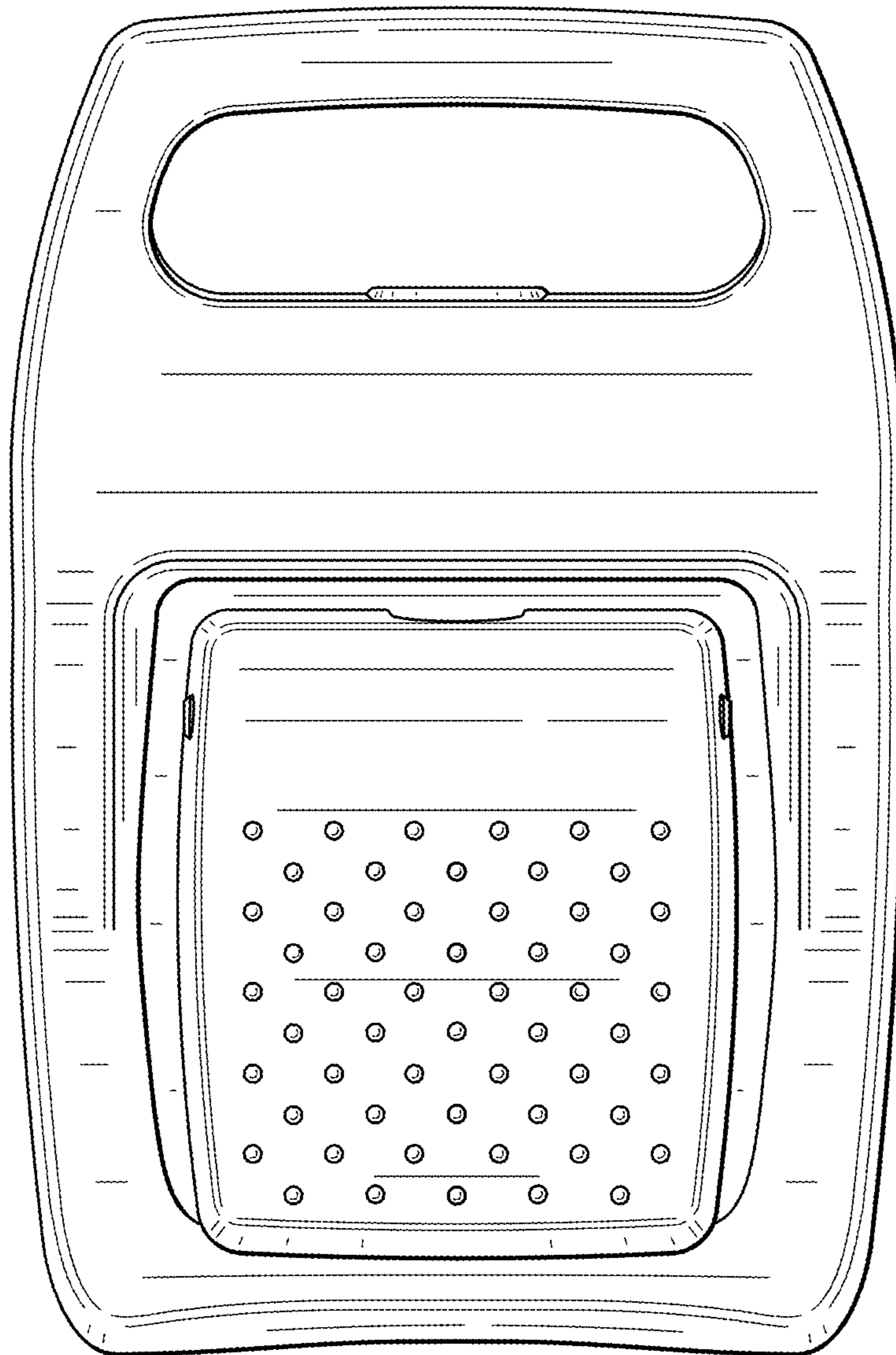


FIG. 7

