



US00D767500S

(12) **United States Design Patent**  
**Byrne et al.**

(10) **Patent No.:** **US D767,500 S**  
(45) **Date of Patent:** **\*\* Sep. 27, 2016**

(54) **STACKABLE ELECTRICAL TERMINALS**

(71) Applicants: **Norman R. Byrne**, Ada, MI (US);  
**Robert L. Knapp**, Rockford, MI (US);  
**Steven K. Meek**, Grand Rapids, MI (US);  
**Matthew R. Andree**, Rockford, MI (US)

(72) Inventors: **Norman R. Byrne**, Ada, MI (US);  
**Robert L. Knapp**, Rockford, MI (US);  
**Steven K. Meek**, Grand Rapids, MI (US);  
**Matthew R. Andree**, Rockford, MI (US)

(\*\*) Term: **14 Years**

(21) Appl. No.: **29/524,686**

(22) Filed: **Apr. 22, 2015**

(51) **LOC (10) Cl.** ..... **13-03**

(52) **U.S. Cl.**  
USPC ..... **D13/154**

(58) **Field of Classification Search**  
USPC ..... D13/133, 147, 154, 184, 199  
See application file for complete search history.

(56) **References Cited**

**U.S. PATENT DOCUMENTS**

2,917,724 A	12/1959	Jackson	
4,205,892 A	6/1980	Clement et al.	
4,313,646 A *	2/1982	Millhimes	H01R 31/02 439/215
RE31,033 E	9/1982	Wilson, Jr. et al.	
4,875,871 A	10/1989	Booty, Sr. et al.	
4,990,110 A *	2/1991	Byrne	H01R 13/11 439/861
5,434,749 A	7/1995	Nakayama	
6,733,331 B2	5/2004	McCoy et al.	
7,771,239 B1	8/2010	Hsiao	
8,262,401 B1 *	9/2012	Byrne	H01R 25/162 439/215
D668,620 S *	10/2012	Convert	D13/147
D714,227 S *	9/2014	Buck	D13/154

**FOREIGN PATENT DOCUMENTS**

JP H05176433 7/1993

\* cited by examiner

*Primary Examiner* — Daniel Bui

(74) *Attorney, Agent, or Firm* — Gardner, Linn, Burkhardt & Flory, LLP

(57) **CLAIM**

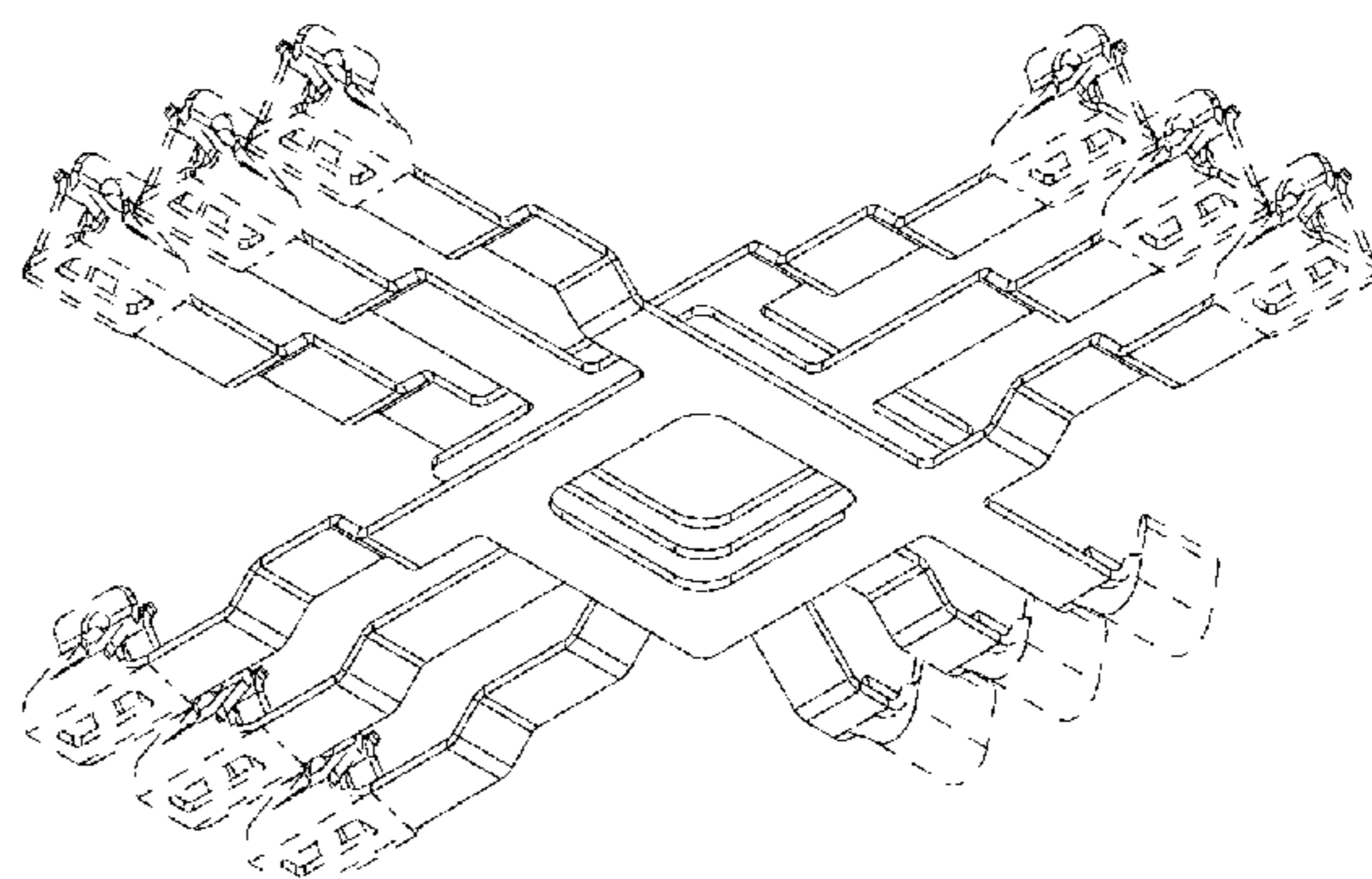
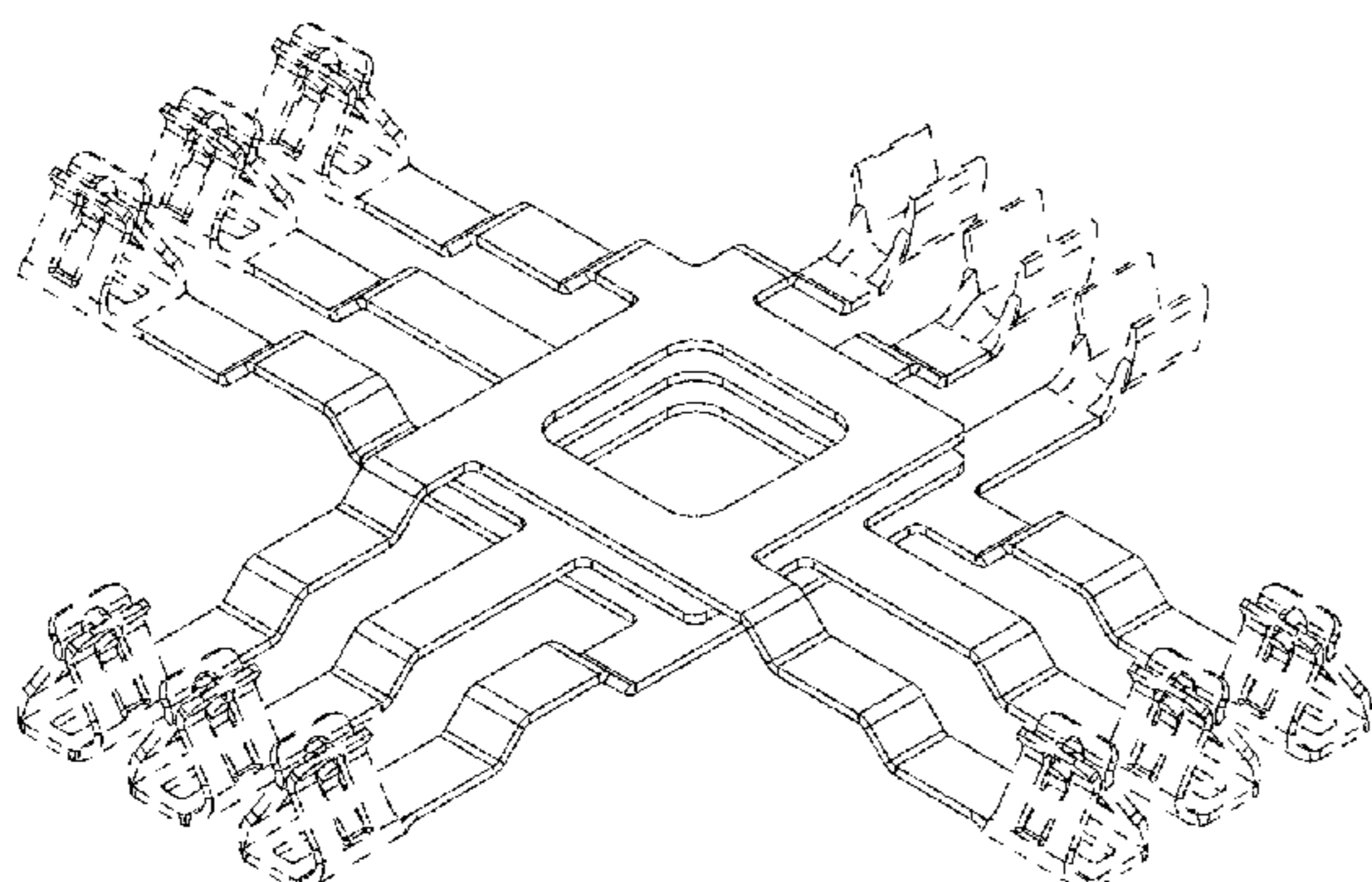
The ornamental design for stackable electrical terminals, as shown and described.

**DESCRIPTION**

FIG. 1 is a top perspective view of stackable electrical terminals showing our new design; FIG. 2 is another top perspective view thereof; FIG. 3 is a bottom perspective view thereof; FIG. 4 is another bottom perspective view thereof; FIG. 5 is a top plan view thereof; FIG. 6 is a bottom plan view thereof; FIG. 7 is a rear elevation thereof; FIG. 8 is a front elevation thereof; FIG. 9 is a right side elevation thereof; FIG. 10 is a left side elevation thereof; FIG. 11 is a top perspective view of the upper one of the stackable electrical terminals of FIG. 1; FIG. 12 is a top plan view thereof; FIG. 13 is a bottom plan view thereof; FIG. 14 is a rear elevation thereof; FIG. 15 is a front elevation thereof; FIG. 16 is a right side elevation thereof; FIG. 17 is a left side elevation thereof; FIG. 18 is a top perspective view of the middle one of the stackable electrical terminals of FIG. 1; FIG. 19 is a top plan view thereof; FIG. 20 is a bottom plan view thereof; FIG. 21 is a rear elevation thereof; FIG. 22 is a front elevation thereof; FIG. 23 is a right side elevation thereof; FIG. 24 is a left side elevation thereof; FIG. 25 is a top perspective view of the lower one of the stackable electrical terminals of FIG. 1; FIG. 26 is a top plan view thereof; FIG. 27 is a bottom plan view thereof; FIG. 28 is a rear elevation thereof; FIG. 29 is a front elevation thereof; FIG. 30 is a right side elevation thereof; and, FIG. 31 is a left side elevation thereof.

The even-broken lines in the drawing views are included for the purpose of illustrating unclaimed portions of the terminals only and form no part of the claimed design. The dash-dot lines represent the boundary of the claimed design.

**1 Claim, 10 Drawing Sheets**



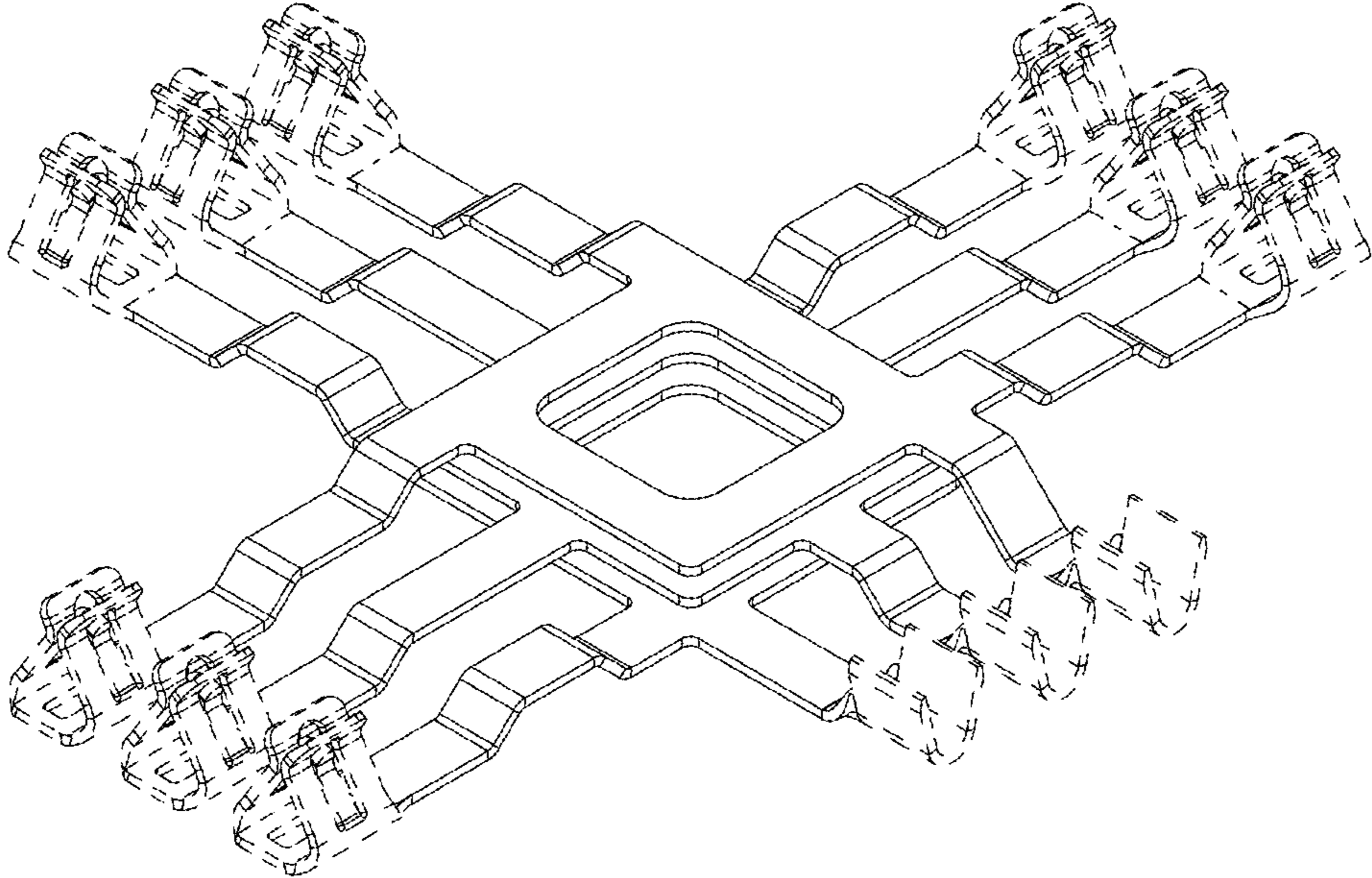


FIG. 1

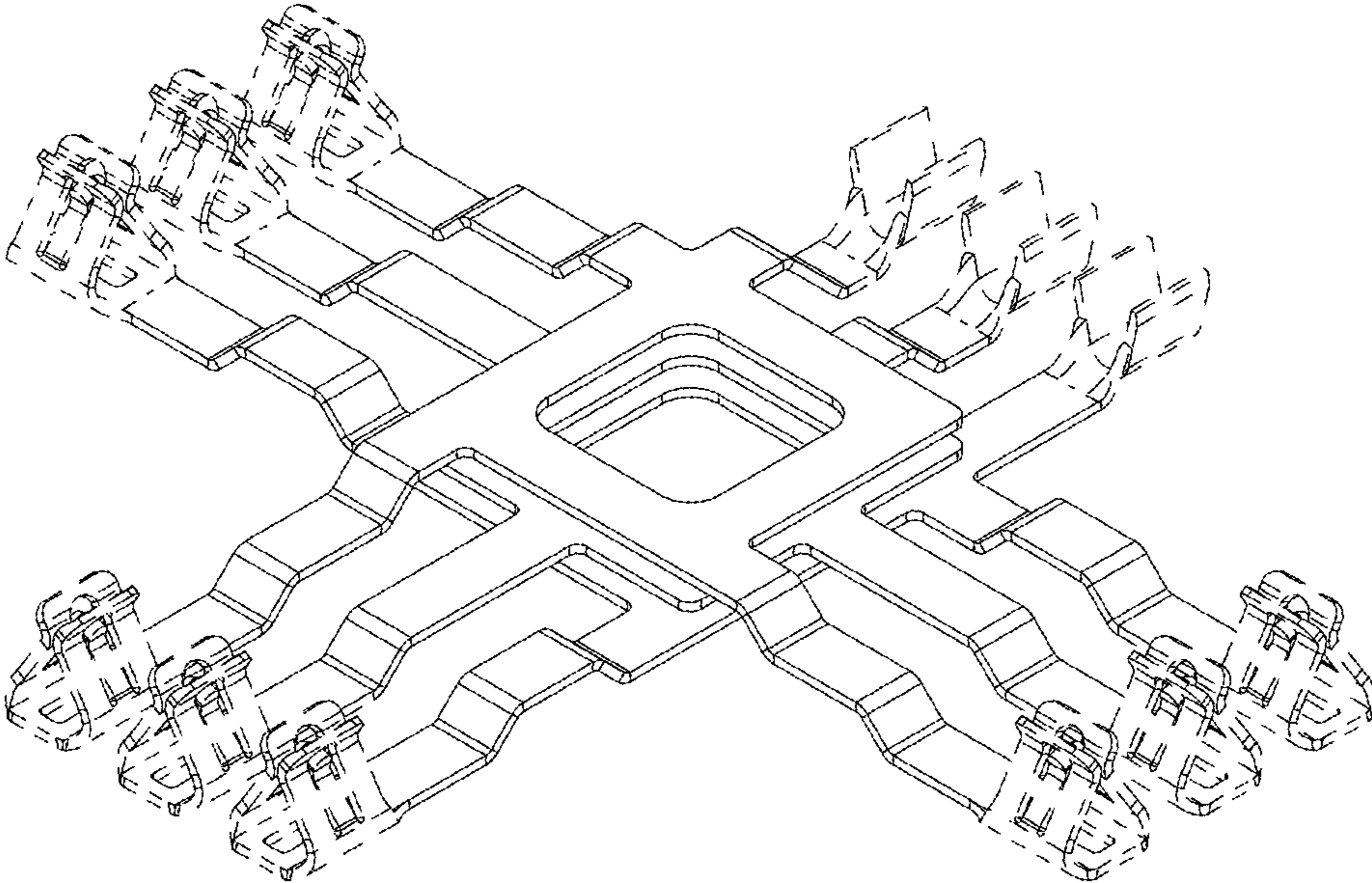


FIG. 2

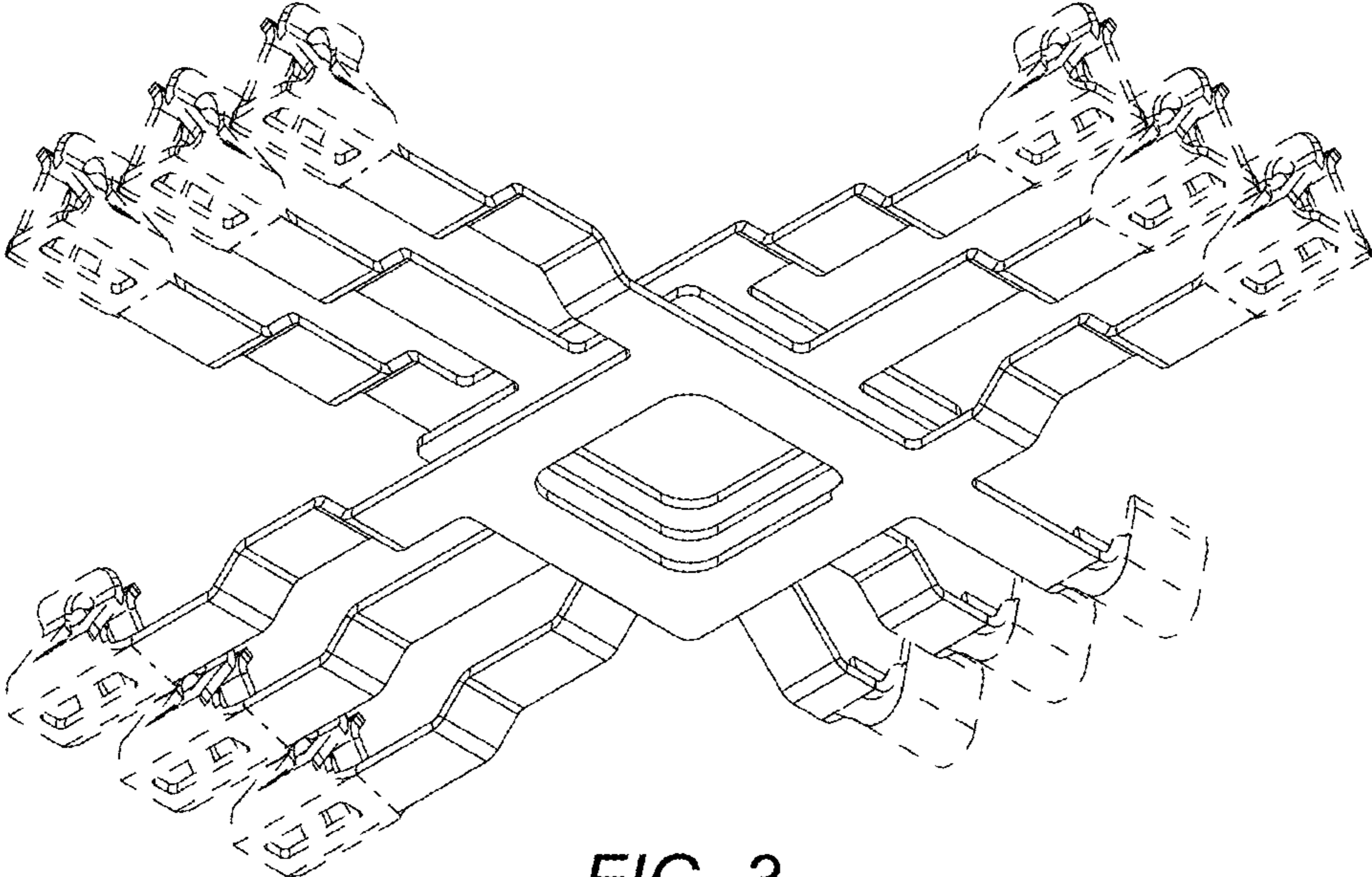


FIG. 3

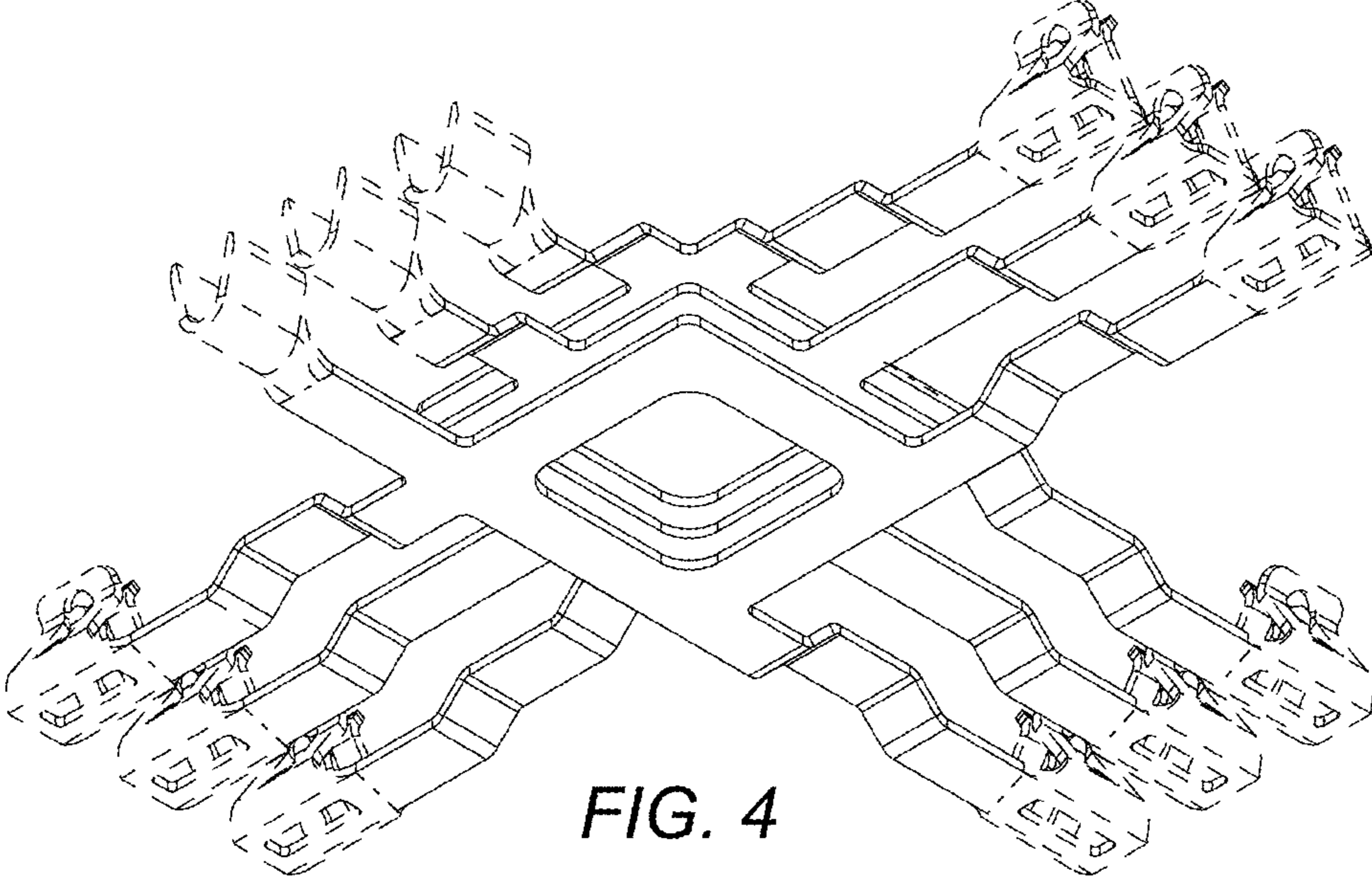


FIG. 4

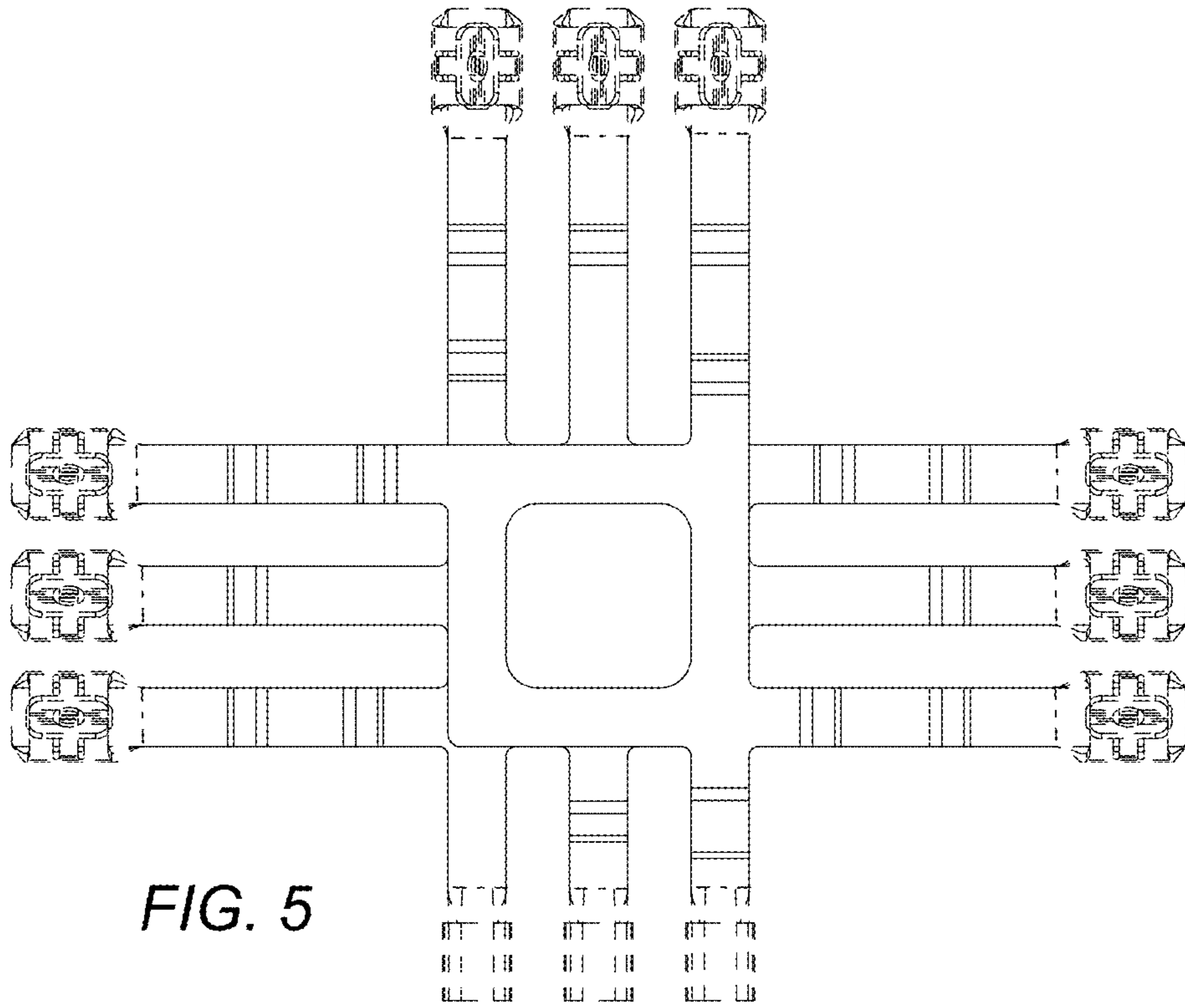


FIG. 5

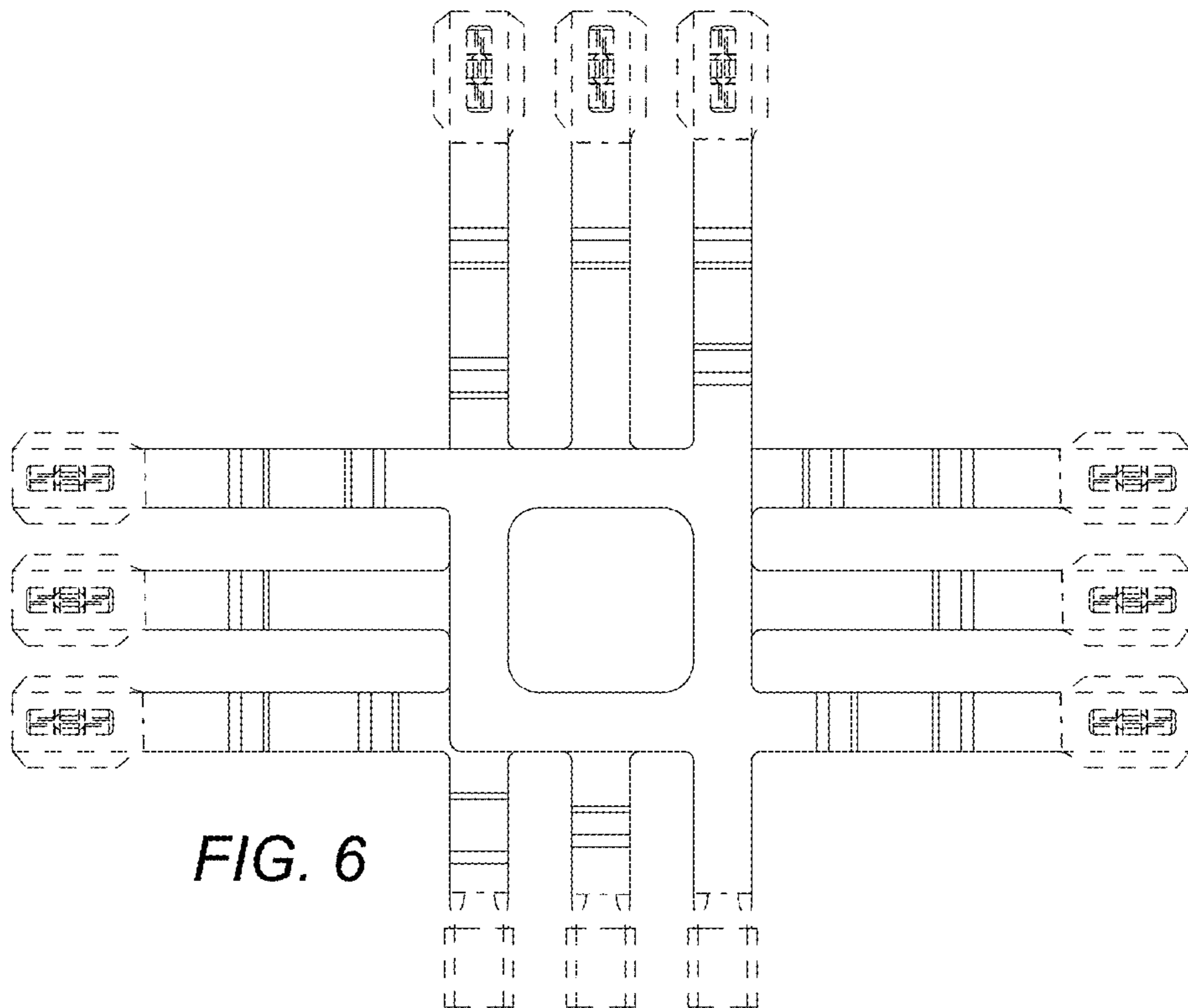


FIG. 6

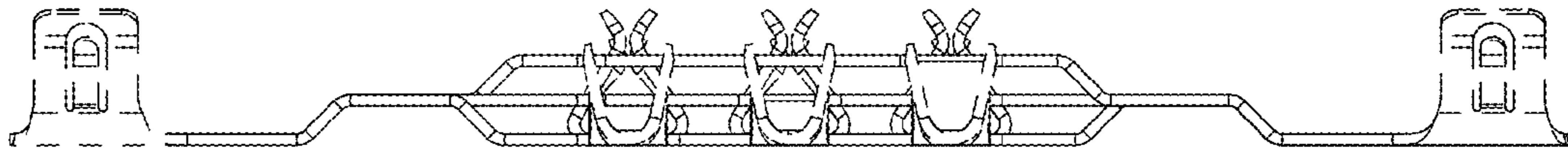


FIG. 7

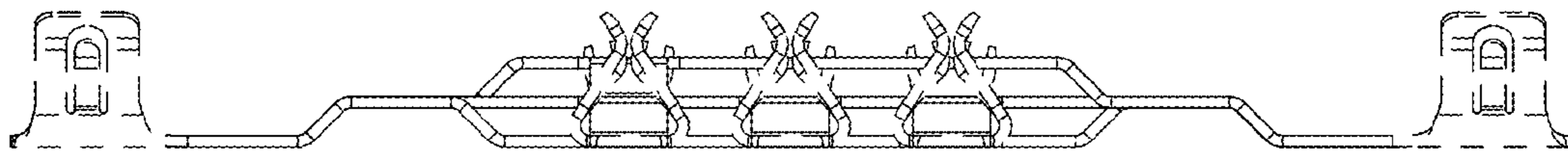


FIG. 8

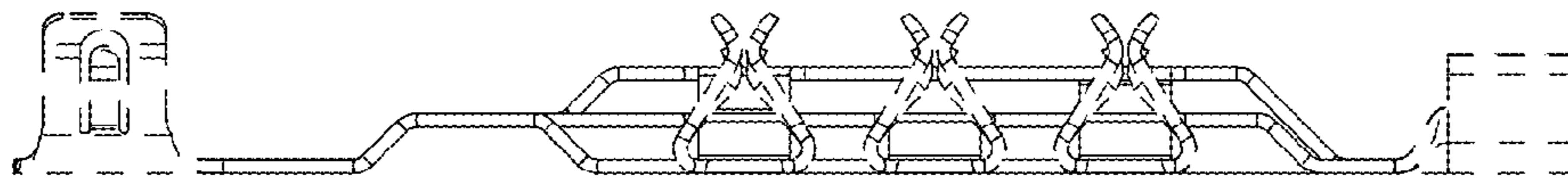


FIG. 9

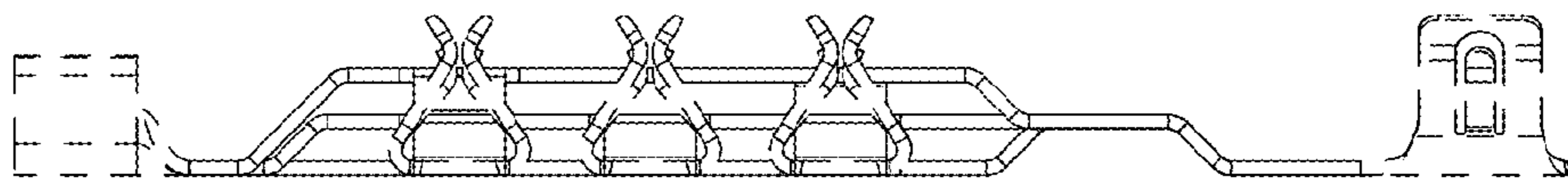
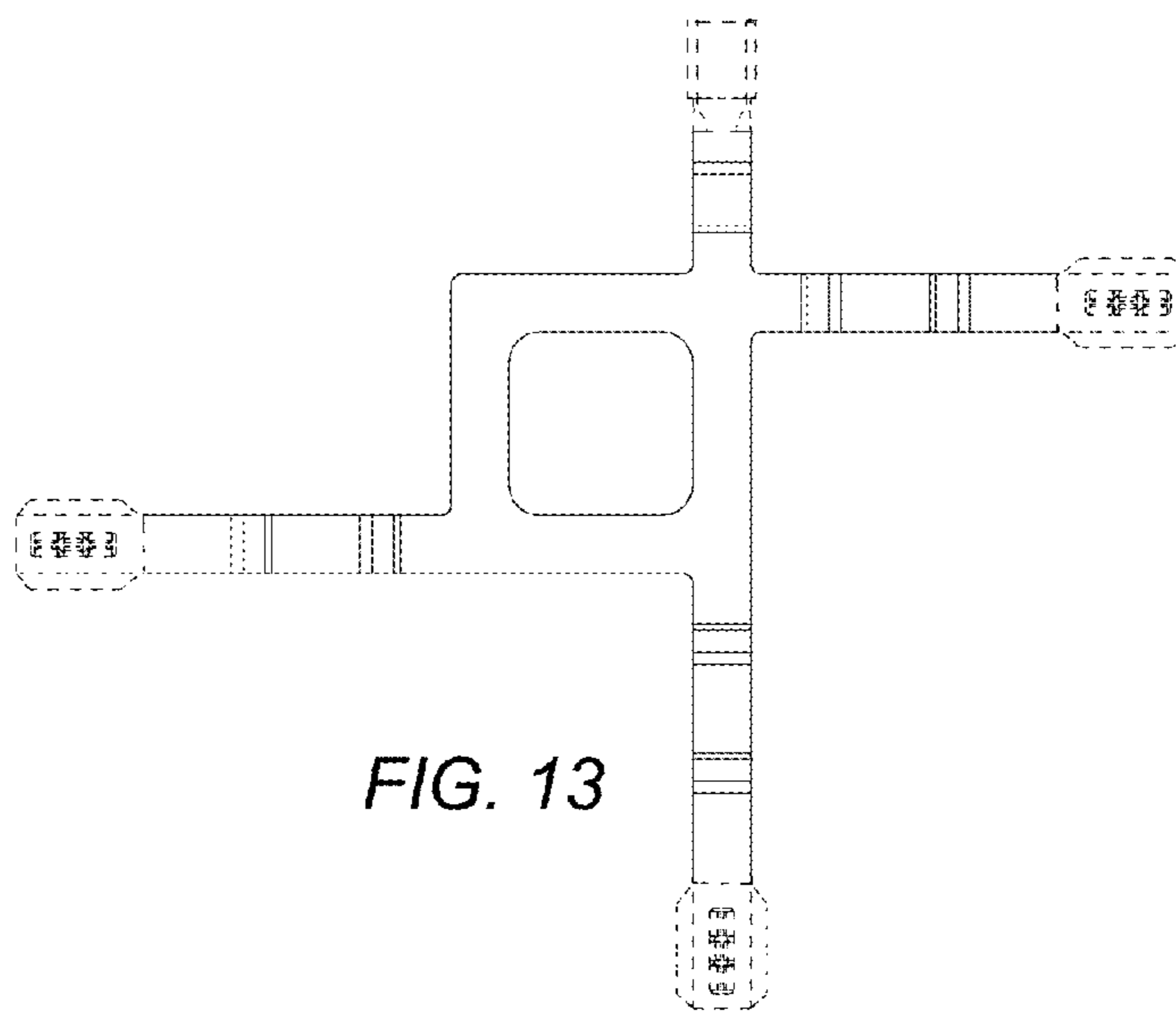
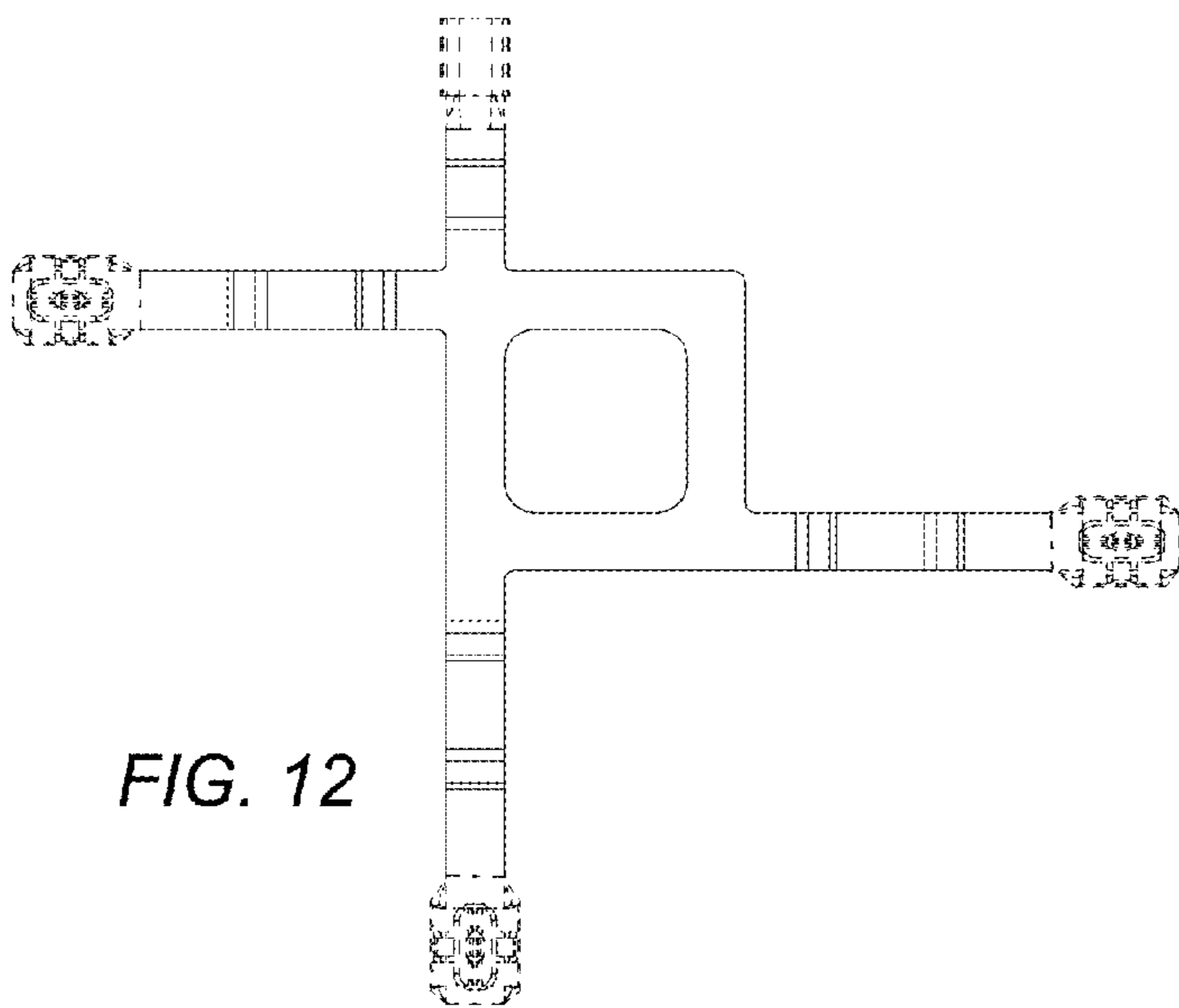
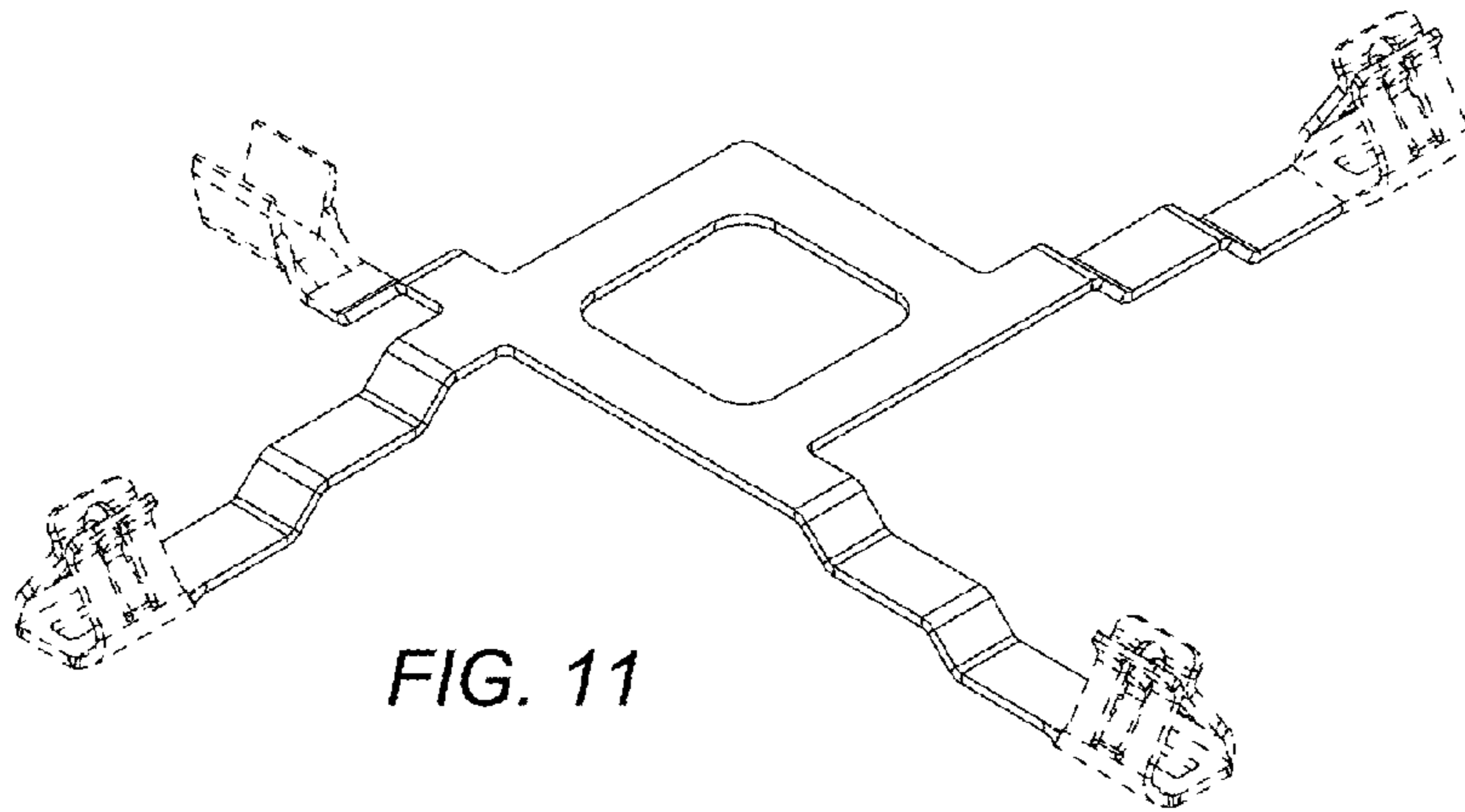


FIG. 10



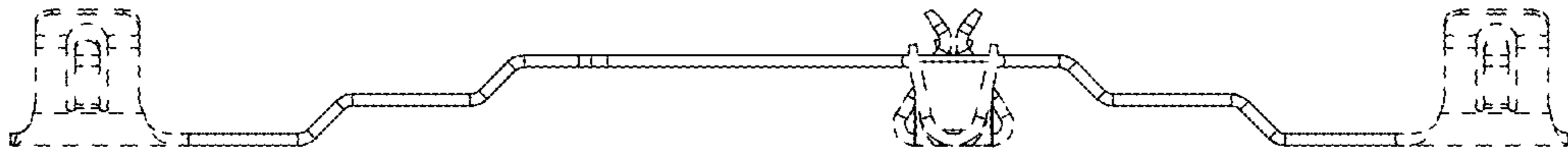


FIG. 14

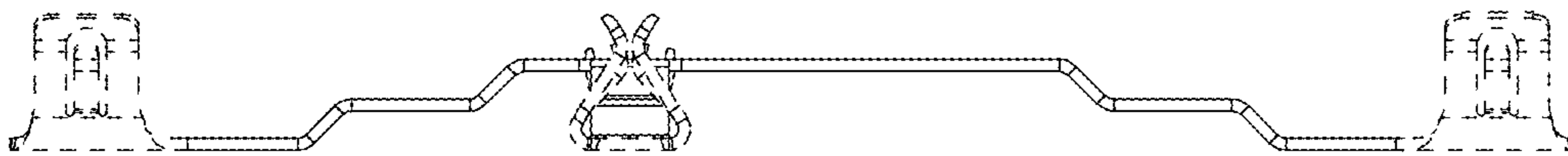


FIG. 15

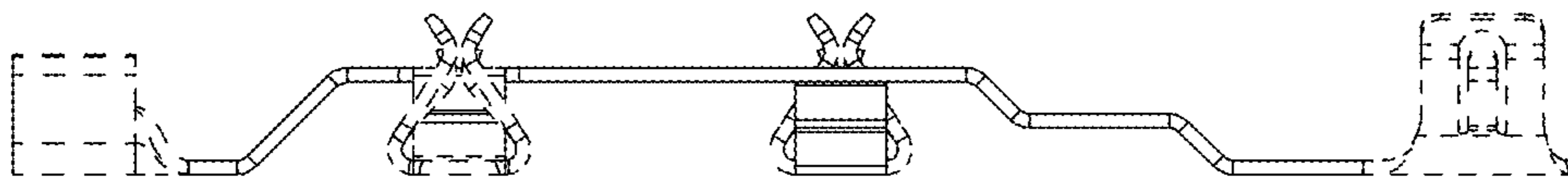


FIG. 16

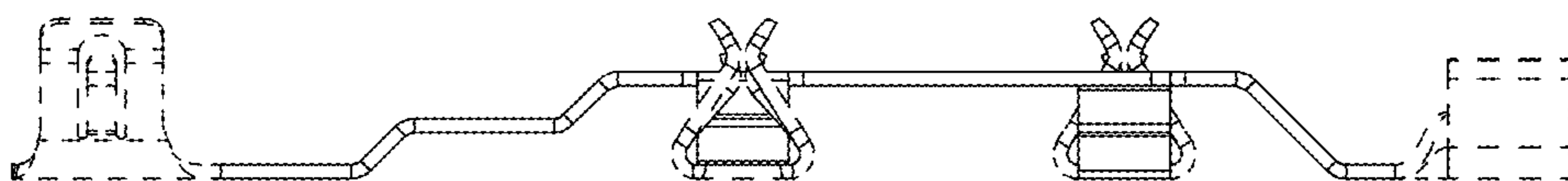
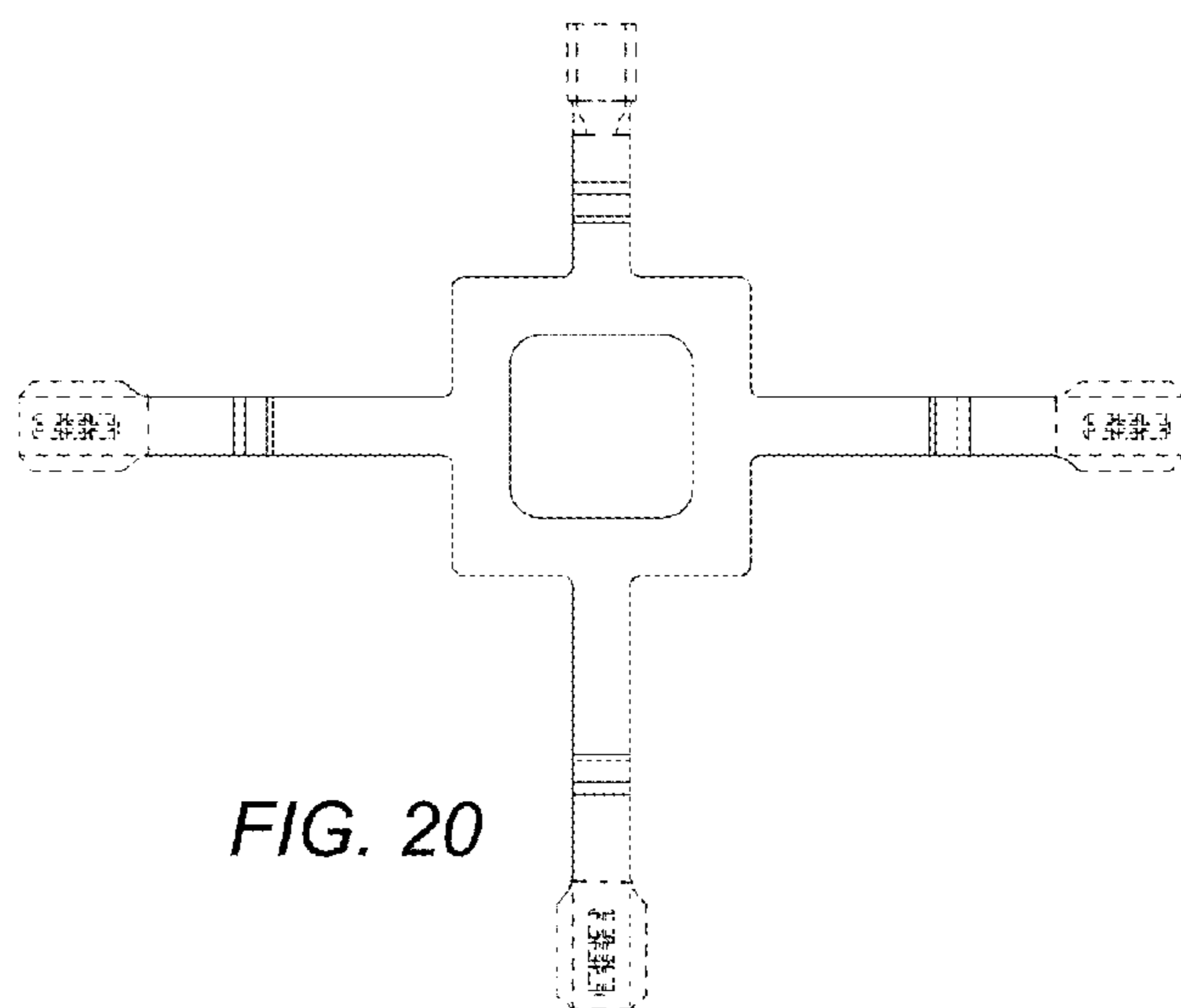
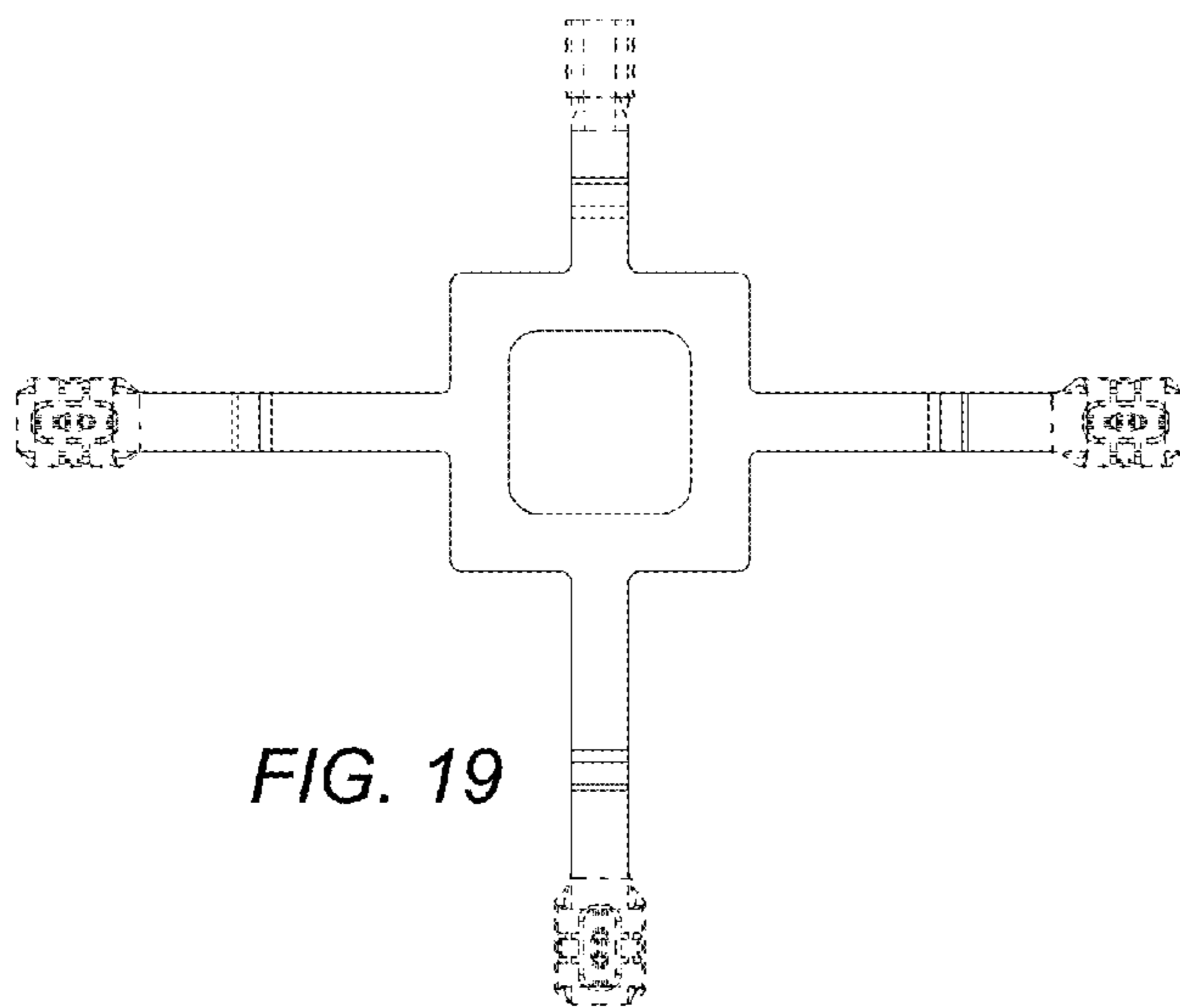
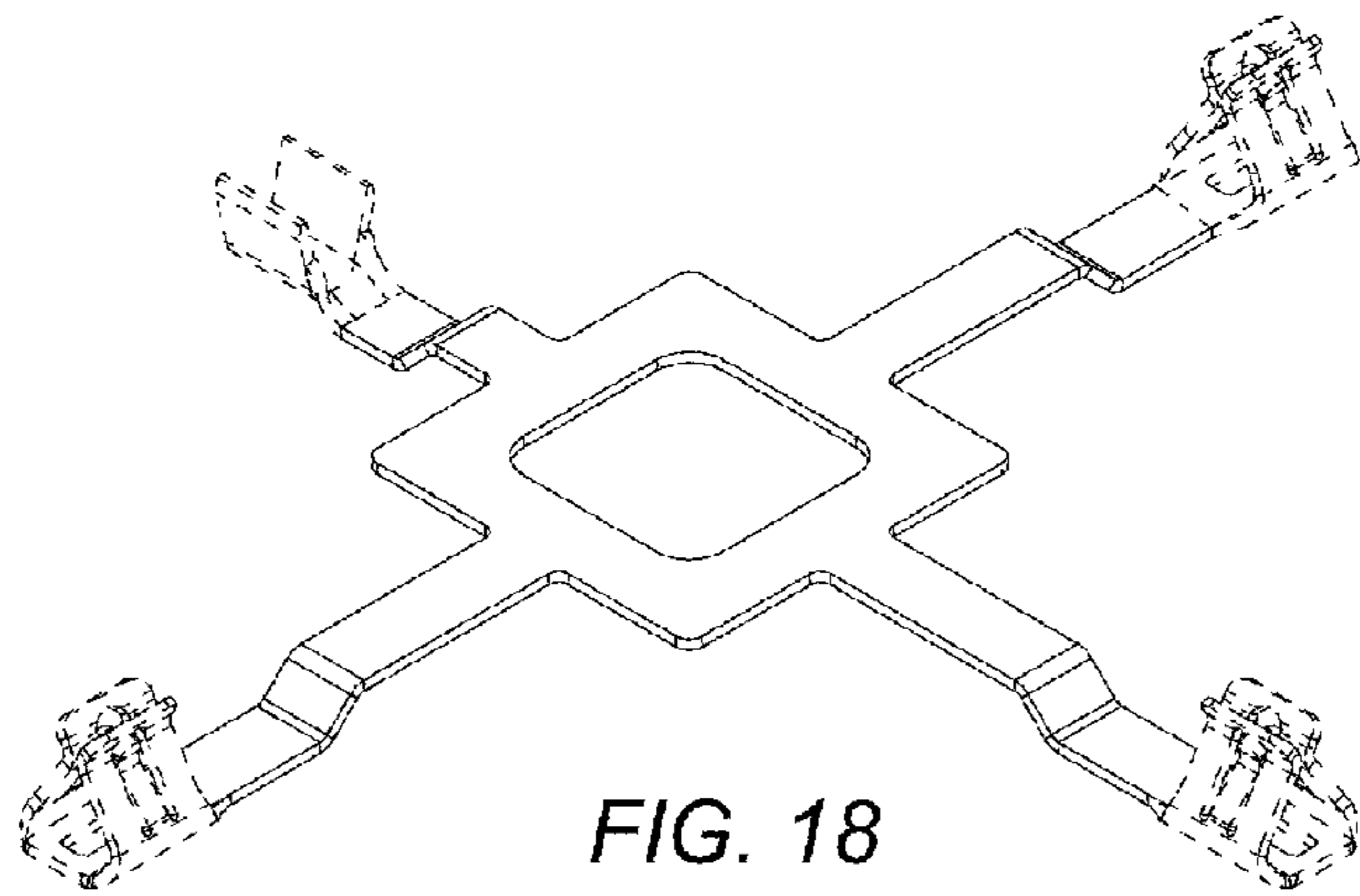


FIG. 17





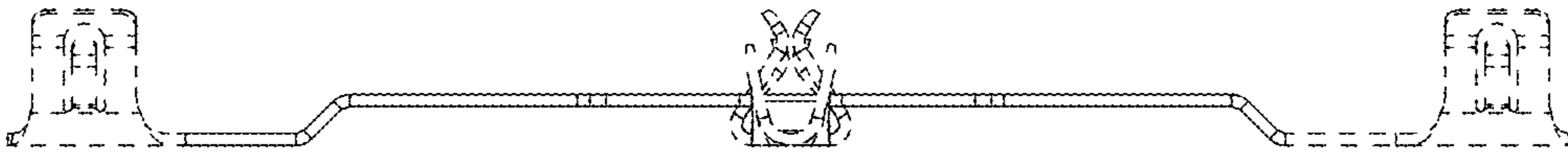


FIG. 21

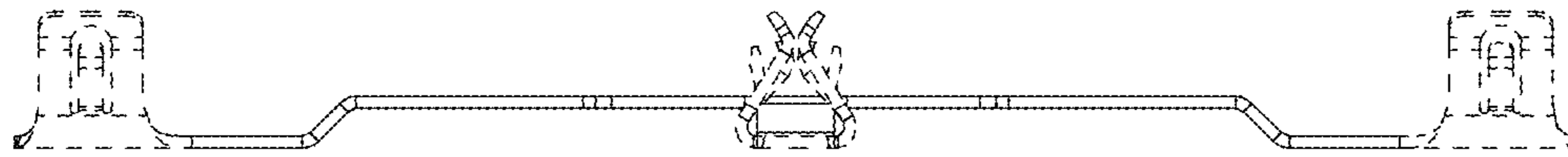


FIG. 22

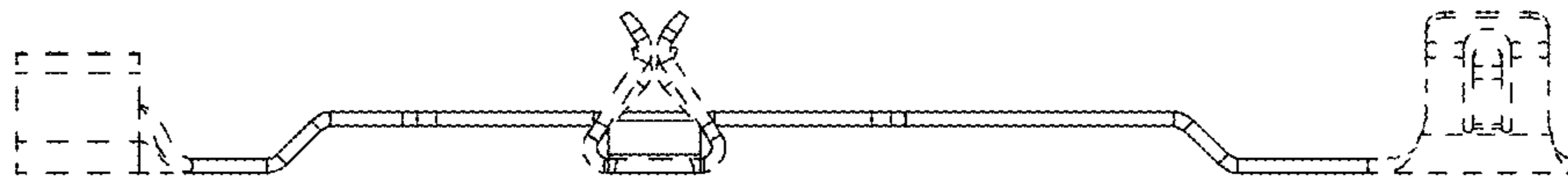


FIG. 23

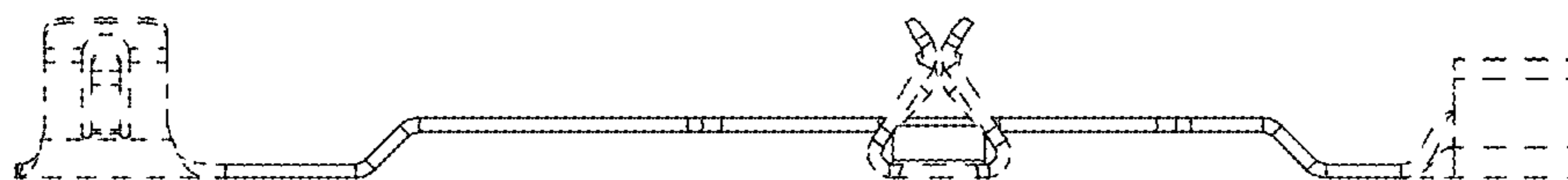


FIG. 24

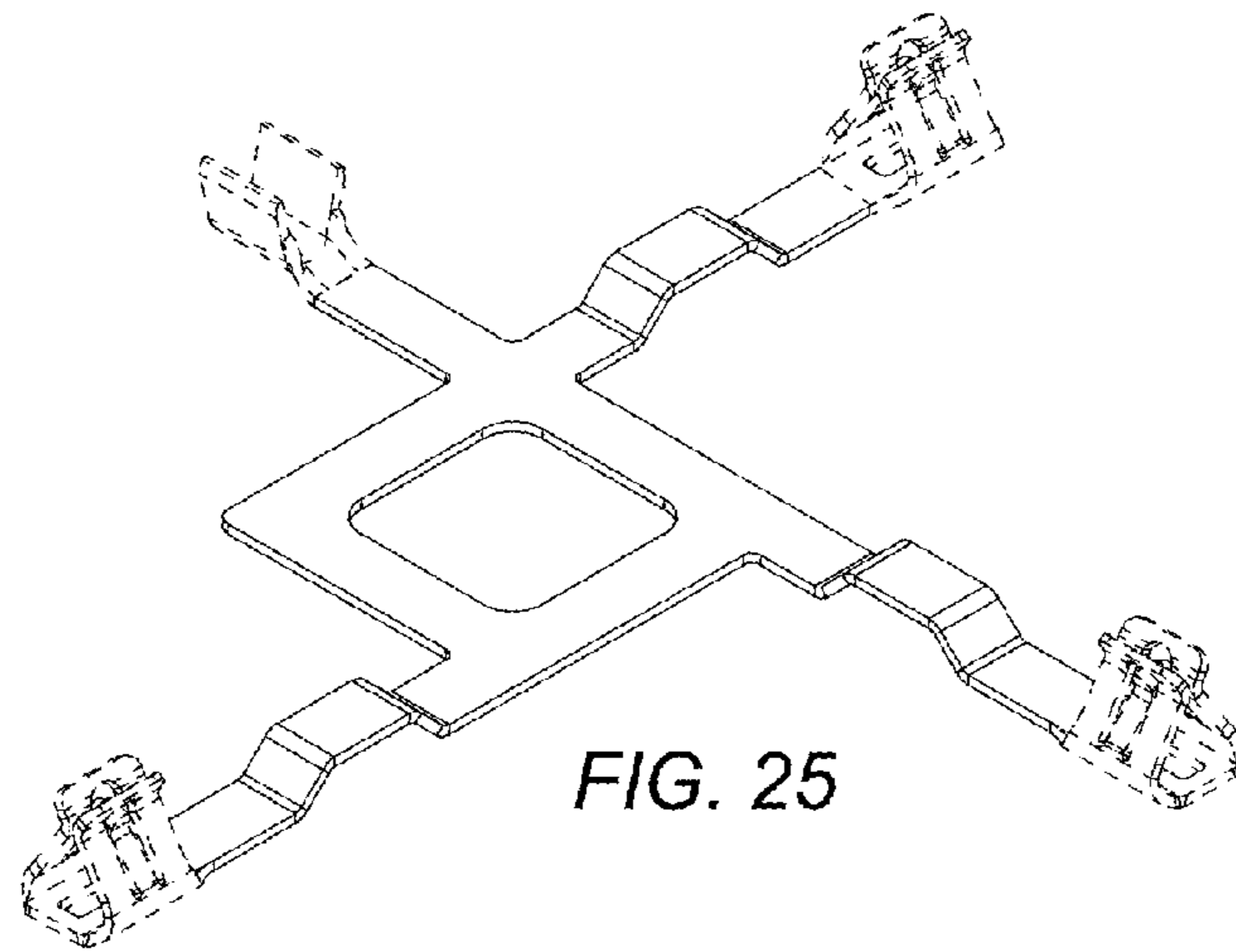


FIG. 25

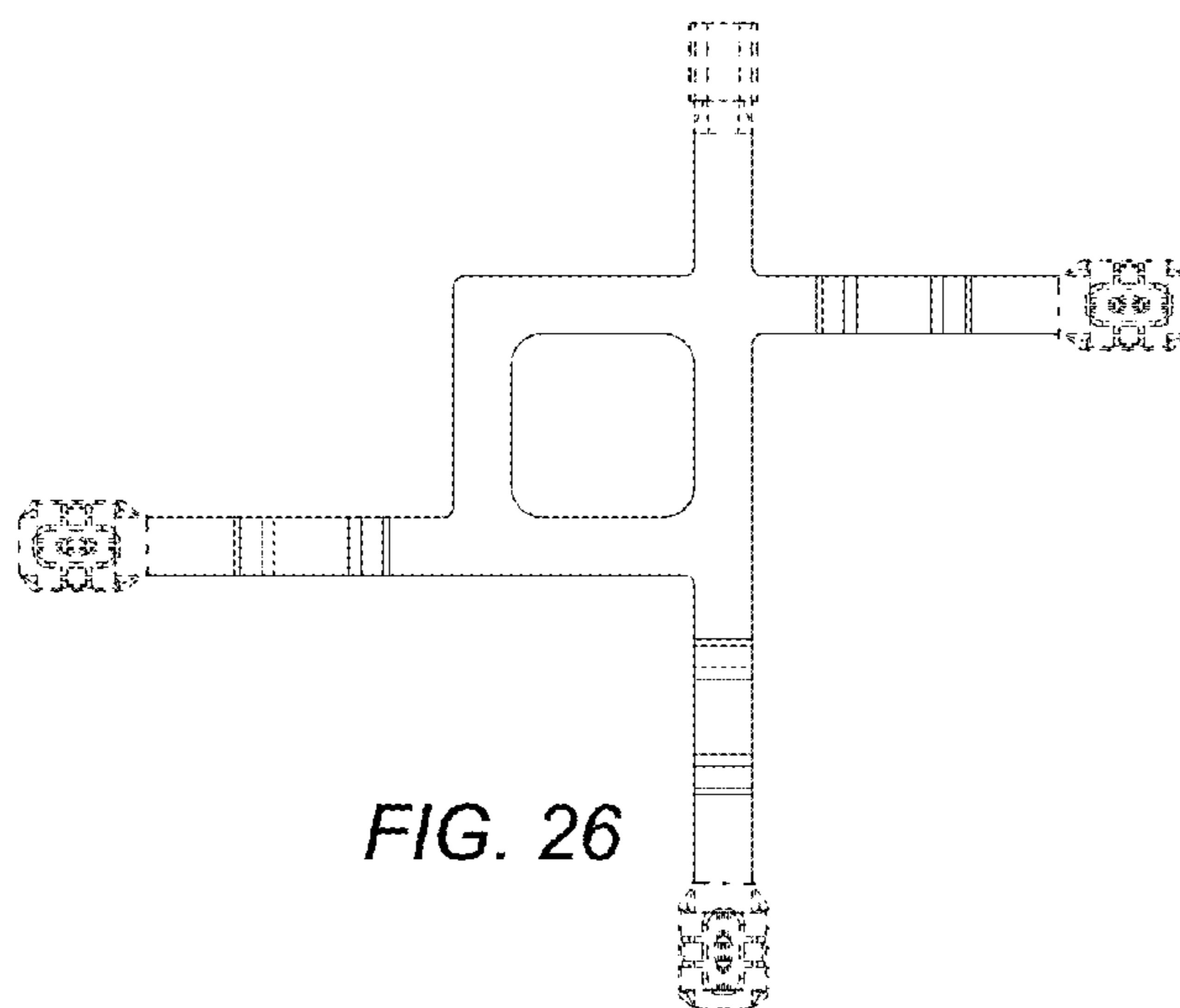


FIG. 26

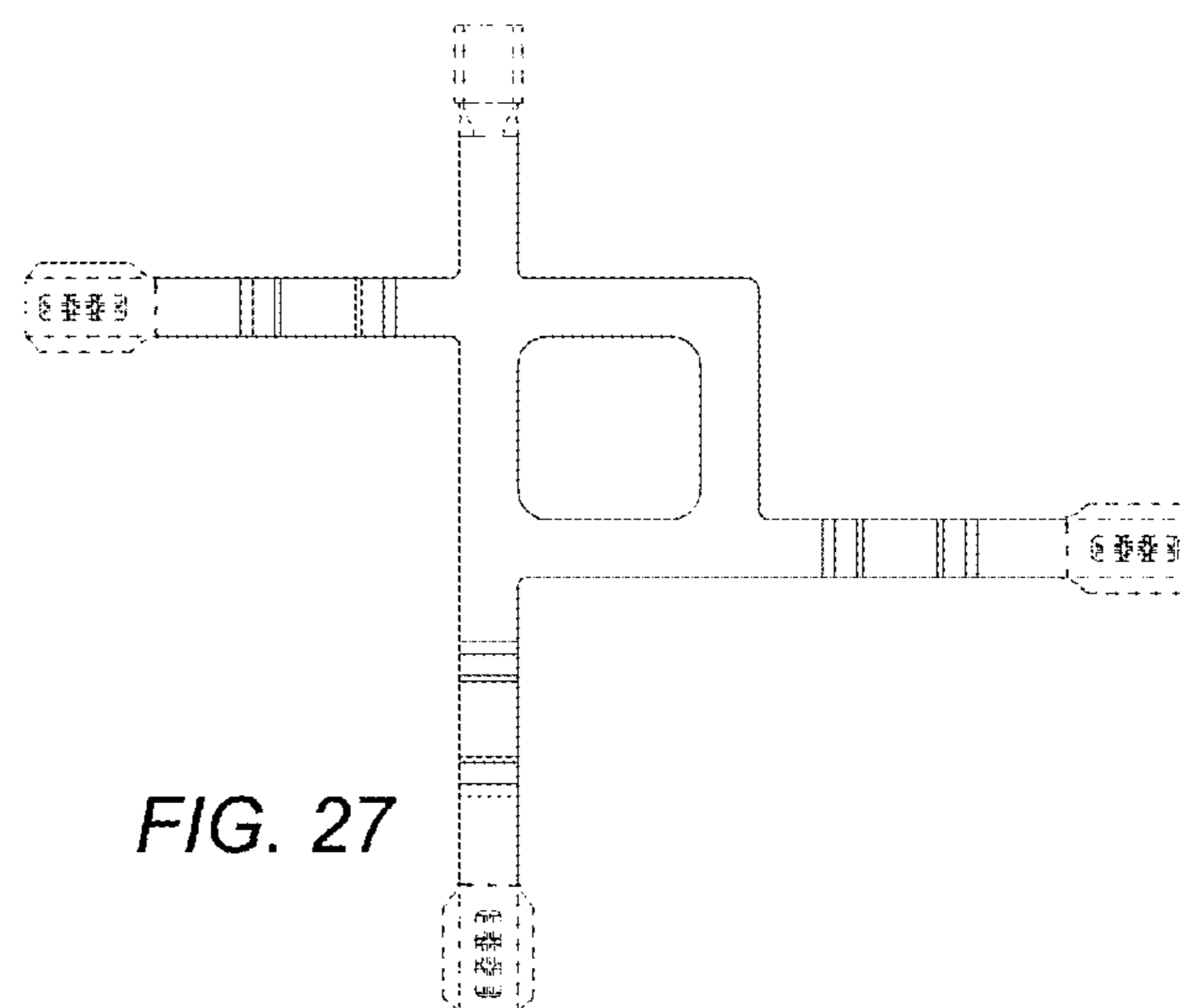


FIG. 27

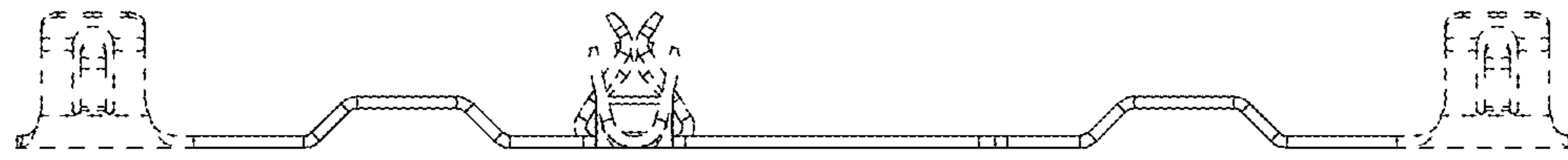


FIG. 28



FIG. 29

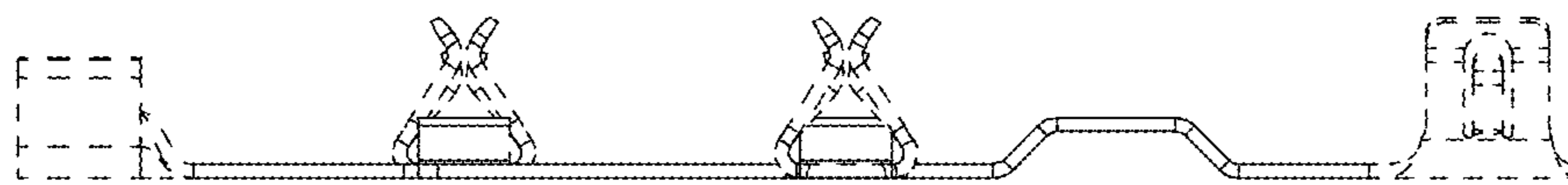


FIG. 30

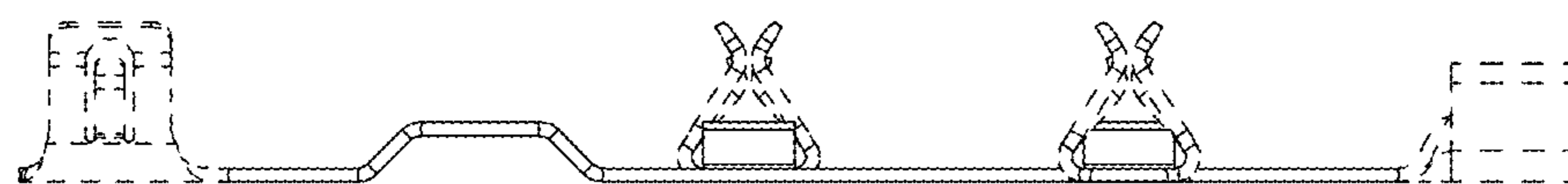


FIG. 31