



US00D767499S

(12) **United States Design Patent**
Goto et al.

(10) **Patent No.:** **US D767,499 S**
(45) **Date of Patent:** **** Sep. 27, 2016**

- (54) **ELECTRIC CONNECTOR**
- (71) Applicant: **Molex, LLC**, Lisle, IL (US)
- (72) Inventors: **Satoshi Goto**, Yamato (JP); **Ryotaro Takeuchi**, Yokohama (JP)
- (73) Assignee: **Molex, LLC**, Lisle, IL (US)
- (**) Term: **15 Years**
- (21) Appl. No.: **29/550,403**
- (22) Filed: **Jan. 4, 2016**

D603,801 S *	11/2009	Obikane	D13/147
7,901,218 B2	3/2011	Sato et al.	
D642,534 S	8/2011	Nishimura et al.	
D681,557 S	5/2013	Miyazaki et al.	
D684,120 S	6/2013	Miyazaki et al.	
D684,541 S	6/2013	Miyazaki et al.	
D687,383 S	8/2013	Miyazaki et al.	
D695,692 S	12/2013	Takenaga et al.	
D696,201 S *	12/2013	Takenaga	D13/147
D703,146 S *	4/2014	Takenaga	D13/147
D722,564 S	2/2015	Yoshida et al.	
D722,974 S	2/2015	Ueda et al.	
D723,471 S	3/2015	Miyazaki	
D733,058 S	6/2015	Miyazaki	
D735,675 S *	8/2015	Yoshioka	D13/147
D737,213 S	8/2015	Yoshioka	

(Continued)

Related U.S. Application Data

- (63) Continuation of application No. 29/512,370, filed on Dec. 18, 2014, now abandoned.

(30) **Foreign Application Priority Data**

- Jun. 18, 2014 (JP) 2014-013144
- (51) **LOC (10) Cl.** **13-03**
- (52) **U.S. Cl.**
USPC **D13/147**
- (58) **Field of Classification Search**
USPC D13/147, 154, 184, 199
CPC H01R 12/51; H01R 12/52; H01R 12/592;
H01R 12/61; H01R 12/70; H01R 12/7005;
H01R 12/71; H01R 12/72; H01R 12/73;
H01R 12/732; H01R 12/737; H01R 12/77;
H01R 12/774; H01R 12/777; H01R 12/778;
H01R 12/79; H01R 13/516
See application file for complete search history.

(56) **References Cited**

U.S. PATENT DOCUMENTS

D589,898 S	4/2009	Chen et al.
D603,798 S	11/2009	Obikane et al.

FOREIGN PATENT DOCUMENTS

JP	05-291769 A	11/1993
JP	06-007258 U	1/1994

(Continued)

Primary Examiner — Daniel Bui

(74) *Attorney, Agent, or Firm* — James A. O'Malley

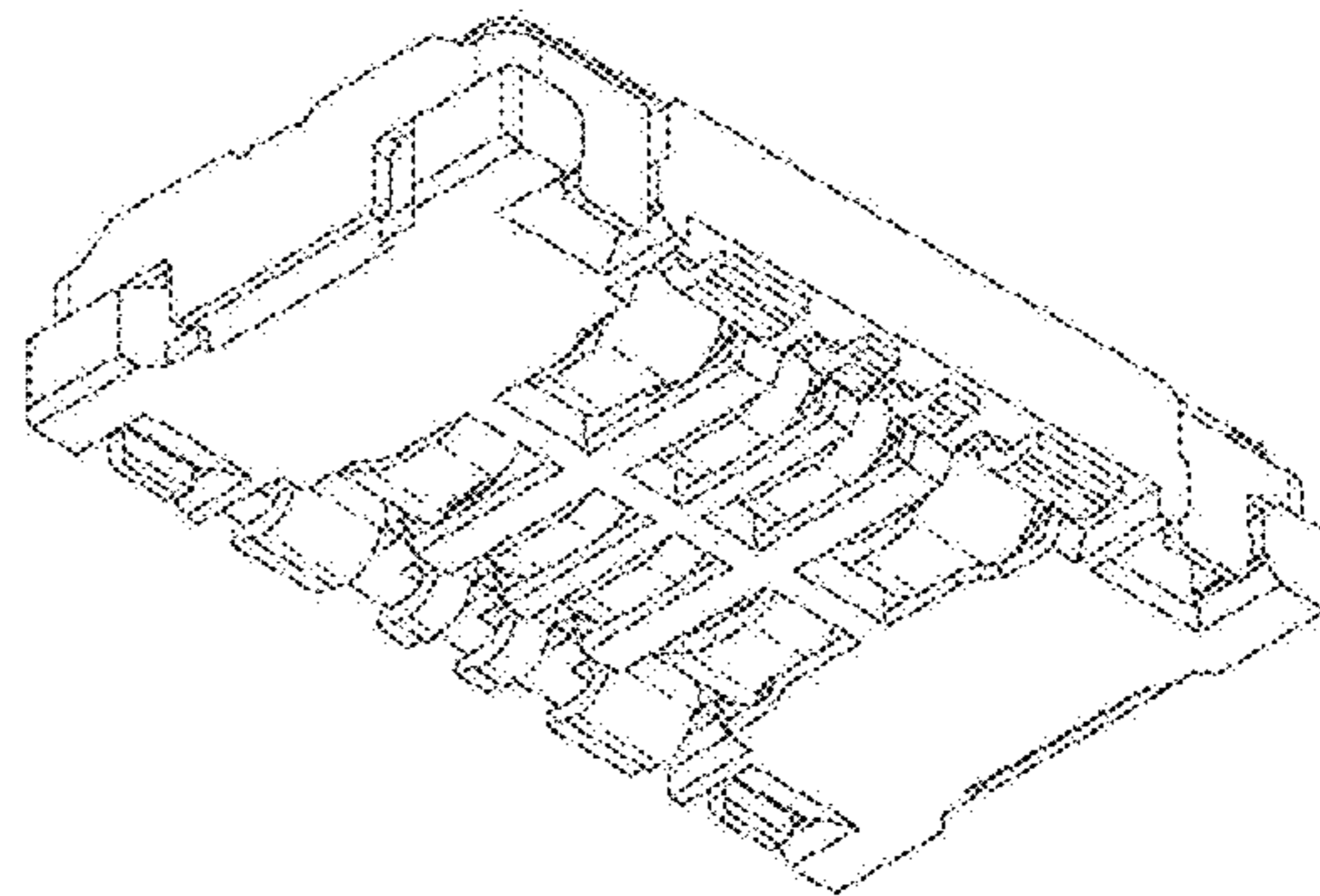
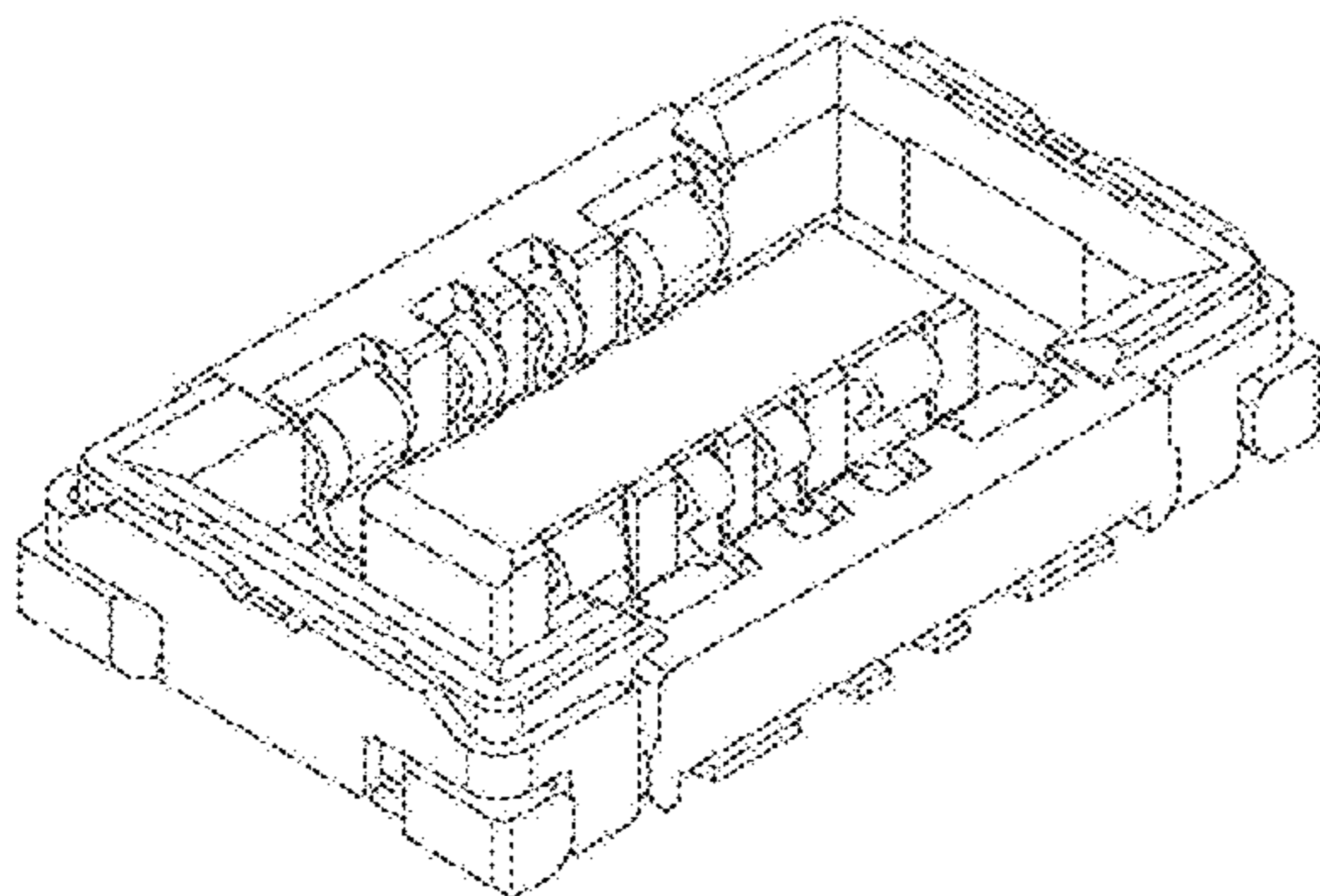
(57) **CLAIM**

The ornamental design for an electric connector, as shown and described.

DESCRIPTION

FIG. 1 is a top, front and side perspective view of an electric connector showing our new design;
 FIG. 2 is a bottom, front and side perspective view thereof;
 FIG. 3 is a front elevation view thereof;
 FIG. 4 is rear elevation view thereof;
 FIG. 5 is a top plan view thereof;
 FIG. 6 is a bottom plan view thereof;
 FIG. 7 is a left side elevation view thereof; and,
 FIG. 8 is a right side elevation view thereof.

1 Claim, 3 Drawing Sheets



US D767,499 S

Page 2

(56)

References Cited

FOREIGN PATENT DOCUMENTS

U.S. PATENT DOCUMENTS

D737,781 S 9/2015 Yoshioka
D738,316 S 9/2015 Yoshioka
D748,583 S * 2/2016 Kobuchi D13/147

JP 06-176807 A 6/1994
TW D163503 S 10/2014
TW D163504 S 10/2014

* cited by examiner

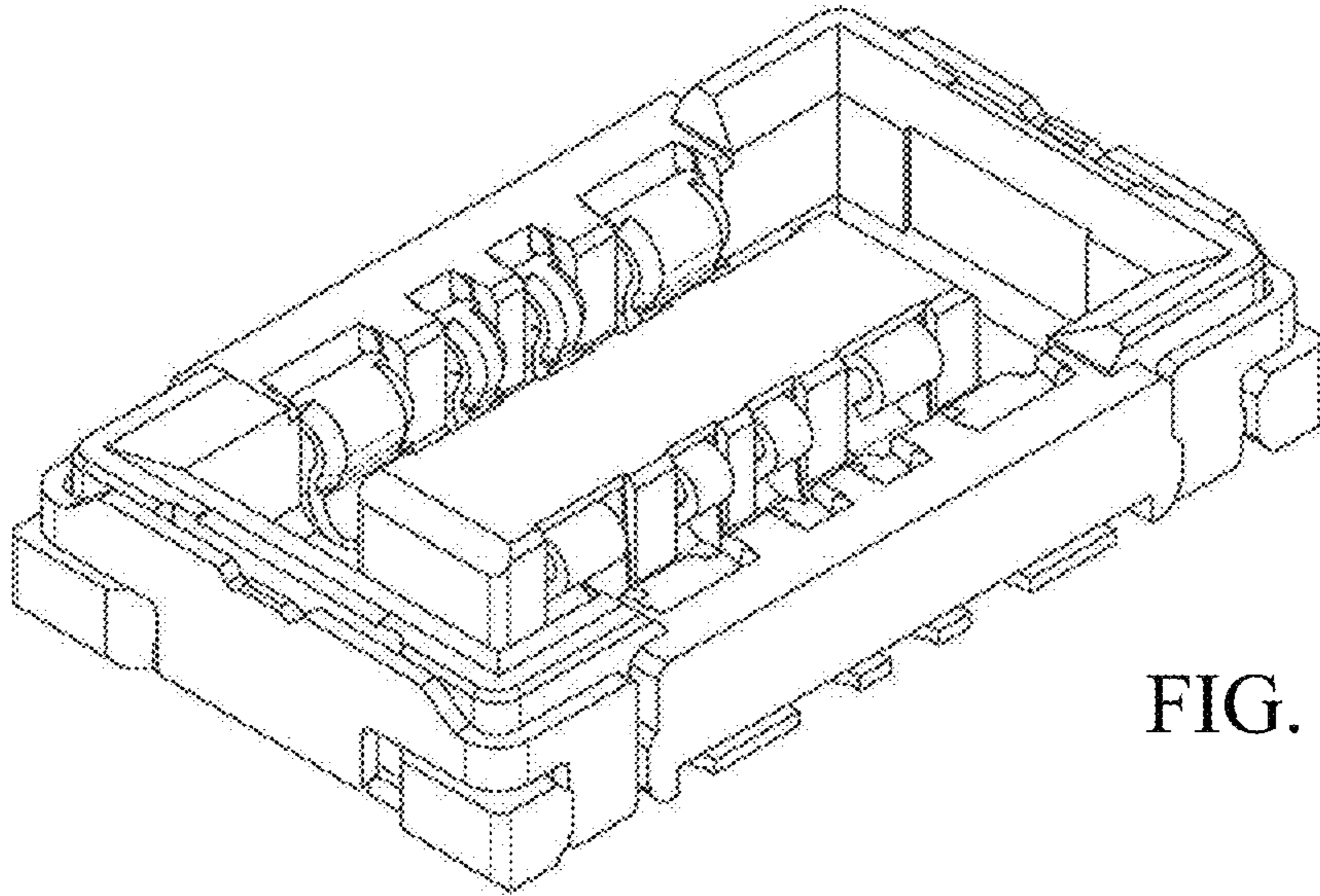


FIG. 1

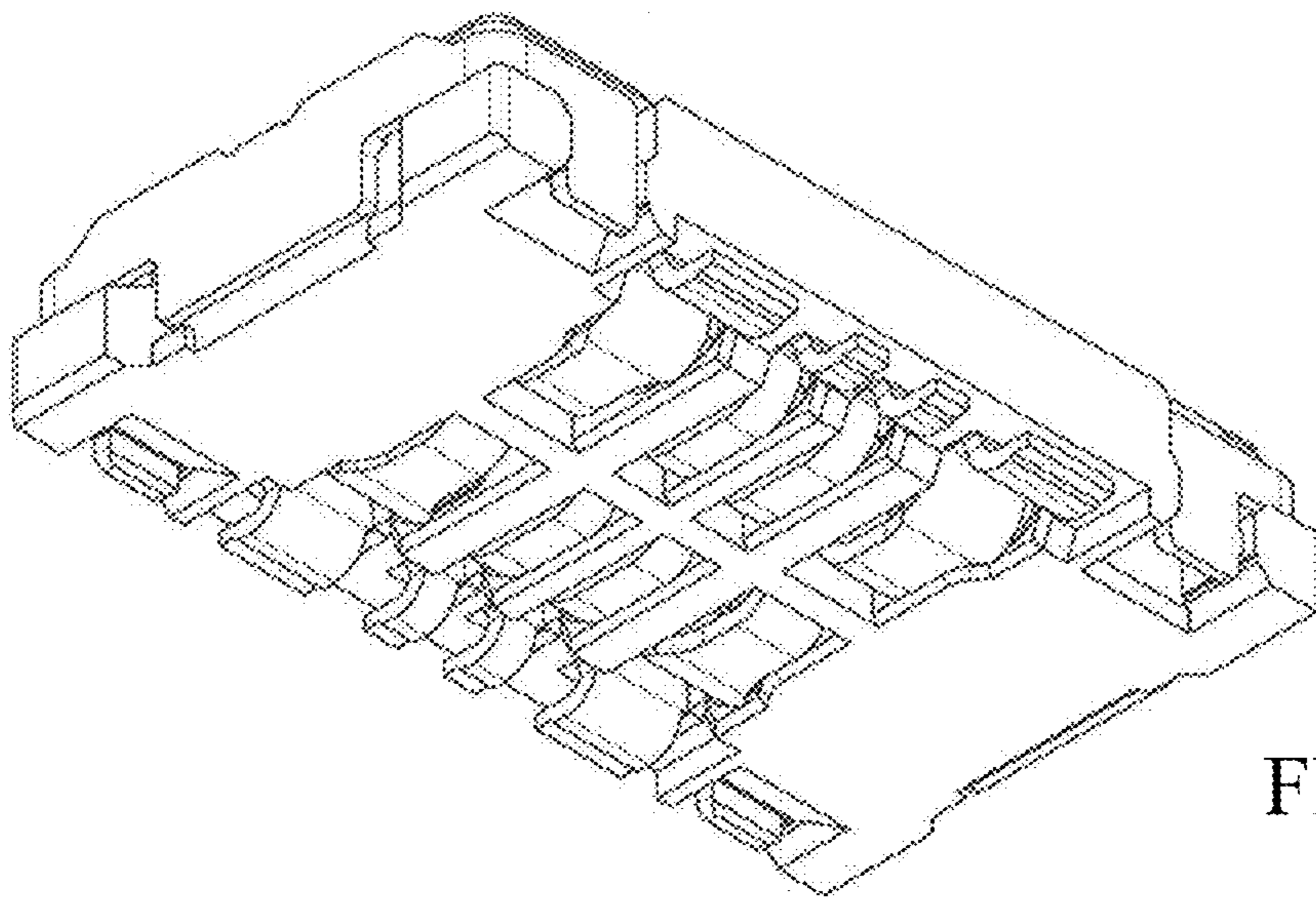


FIG. 2

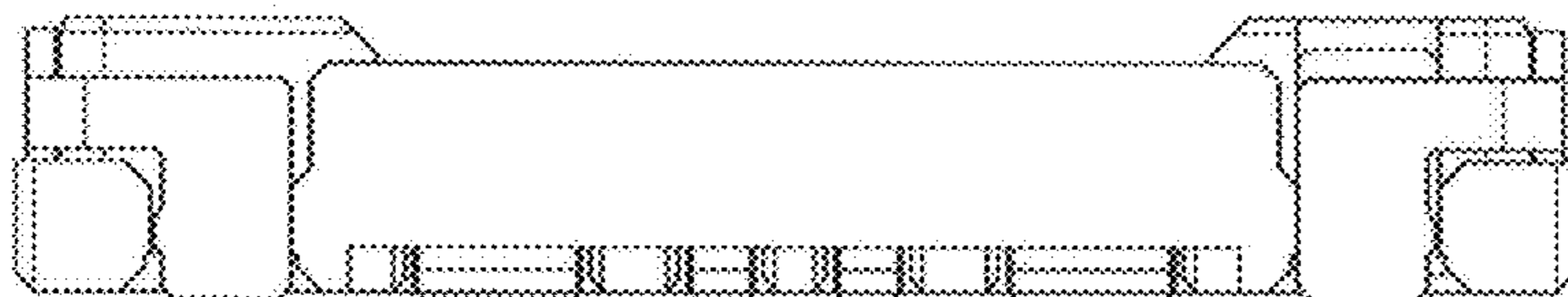


FIG. 3

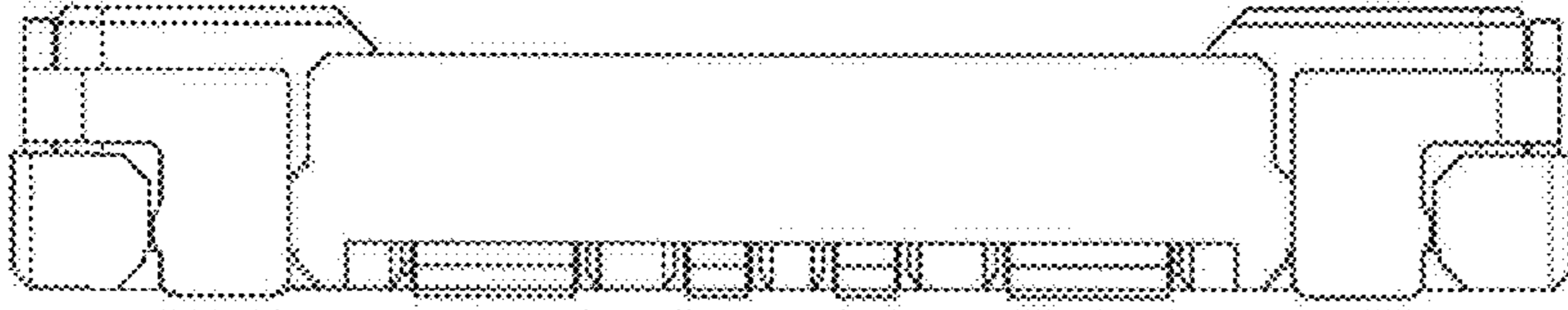


FIG. 4

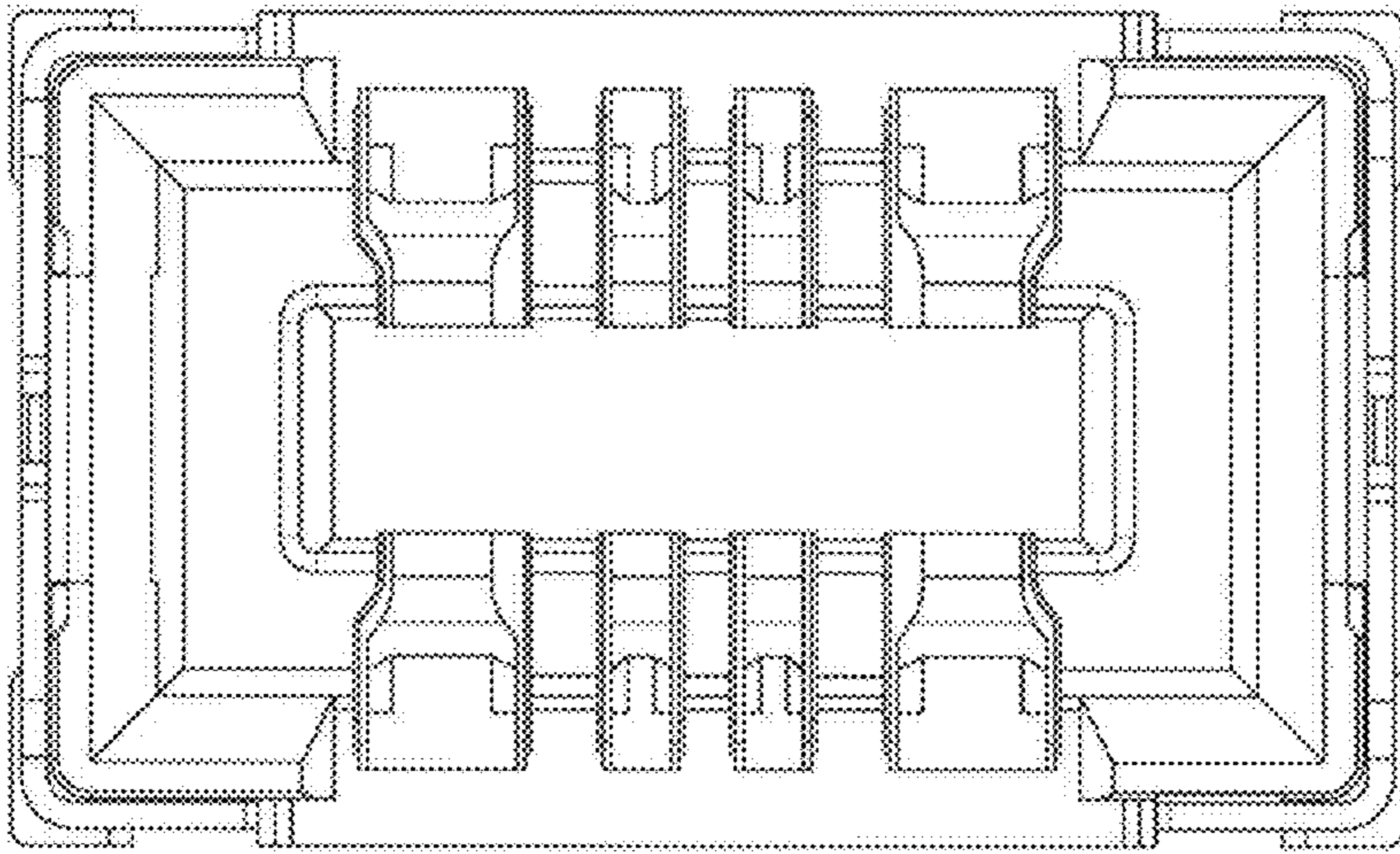


FIG. 5

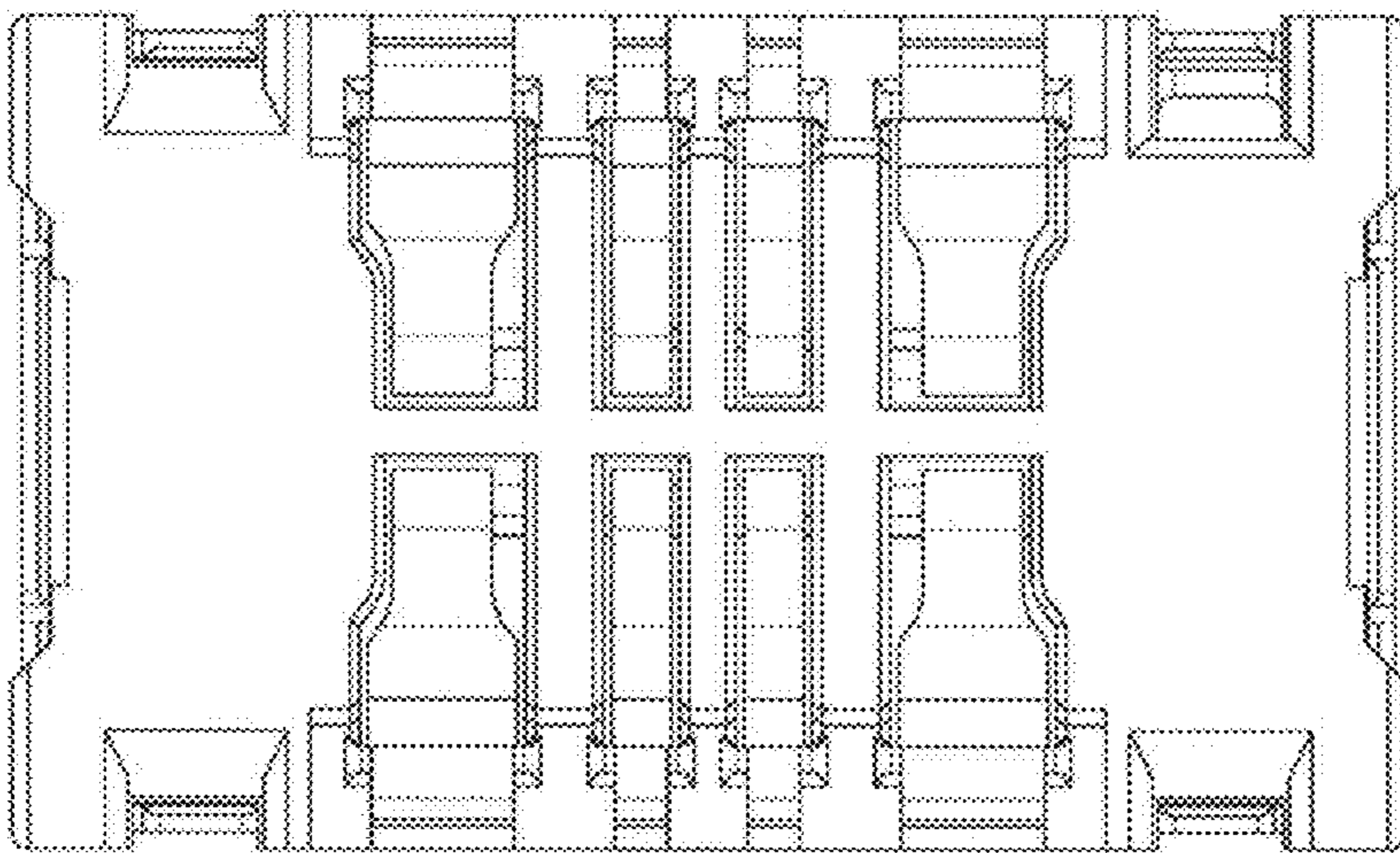


FIG. 6

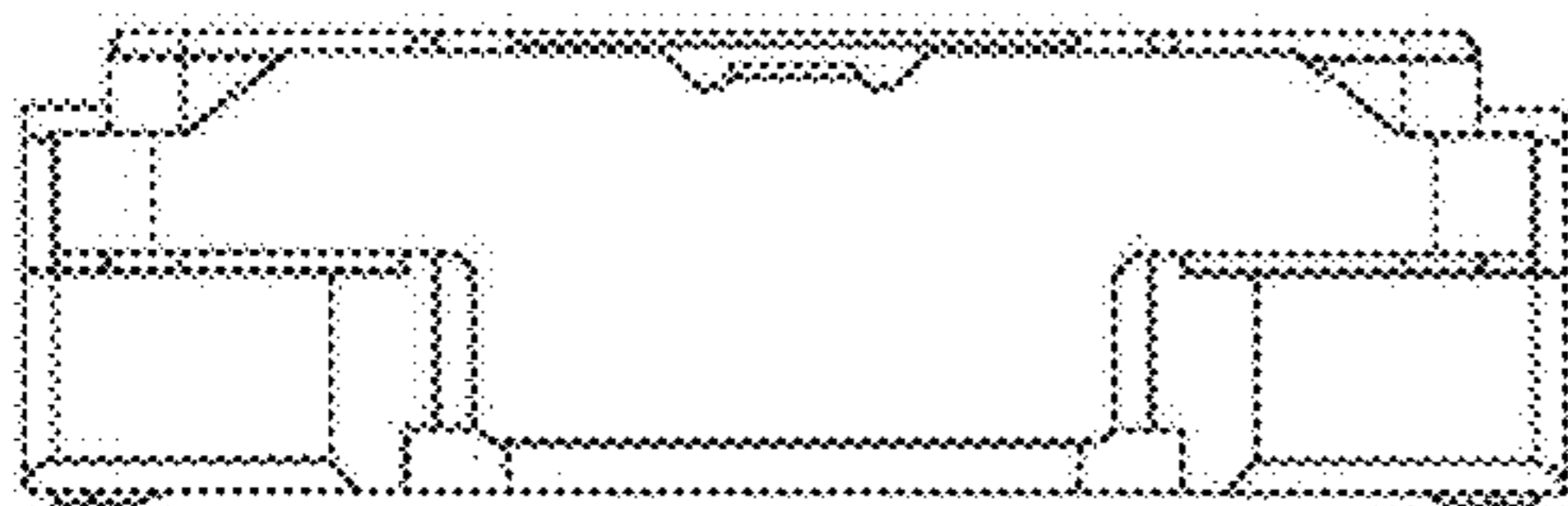


FIG. 7



FIG. 8