



US00D767497S

(12) **United States Design Patent**
Su et al.

(10) **Patent No.:** **US D767,497 S**
(45) **Date of Patent:** **** Sep. 27, 2016**

(54) **RECEPTACLE CONNECTOR**

(71) Applicant: **Cheng Uei Precision Industry Co., Ltd.**, New Taipei (TW)

(72) Inventors: **Yu-Hung Su**, New Taipei (TW);
Chin-Chou Wang, New Taipei (TW)

(73) Assignee: **CHENG UEI PRECISION INDUSTRY CO., LTD.**, New Taipei (TW)

(**) Term: **15 Years**

(21) Appl. No.: **29/535,512**

(22) Filed: **Aug. 6, 2015**

(51) **LOC (10) Cl.** **13-03**

(52) **U.S. Cl.**
USPC **D13/147**

(58) **Field of Classification Search**
USPC D13/147, 154, 184, 199
CPC H01R 24/00; H01R 24/60; H01R 13/00;
H01R 13/516; H01R 13/64; H01R 13/6474;
H01R 13/6582; H01R 13/6595; H01R
13/65275; H01R 13/6581; H01R 13/6591;
H01R 13/6597

See application file for complete search history.

(56) **References Cited**

U.S. PATENT DOCUMENTS

D626,080 S * 10/2010 Zong D13/147
2014/0030920 A1 * 1/2014 Lan H01R 13/506
439/607.01

2016/0013593 A1 * 1/2016 Kao H01R 13/6585
439/607.01
2016/0104975 A1 * 4/2016 Guo H01R 43/16
439/607.05
2016/0118750 A1 * 4/2016 Guo H01R 12/7005
439/78
2016/0141805 A1 * 5/2016 Zhao H01R 13/6581
439/607.01
2016/0141806 A1 * 5/2016 Guo H01R 13/6581
439/607.01

* cited by examiner

Primary Examiner — Daniel Bui

(74) *Attorney, Agent, or Firm* — Cheng-Ju Chiang

(57) **CLAIM**

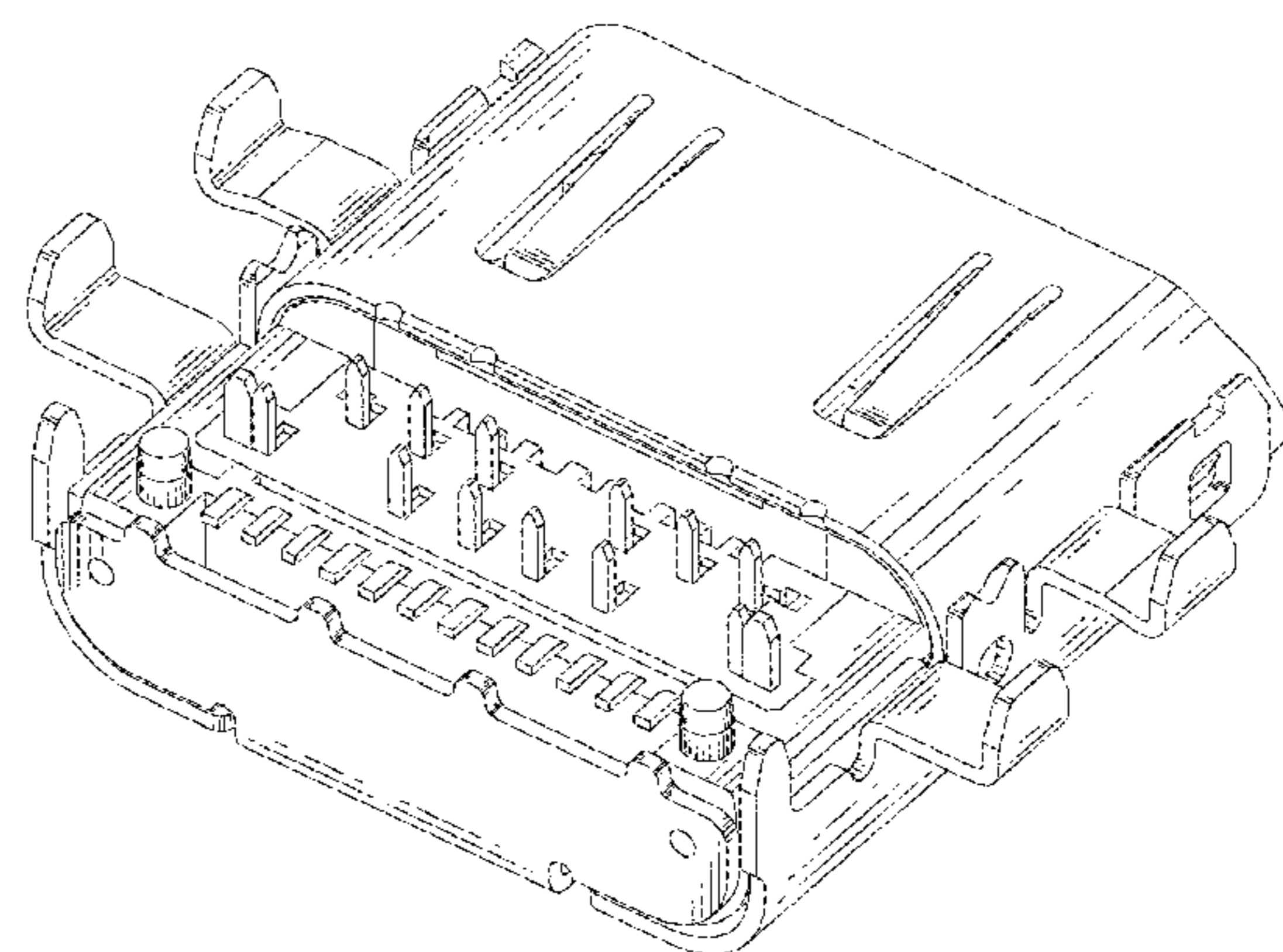
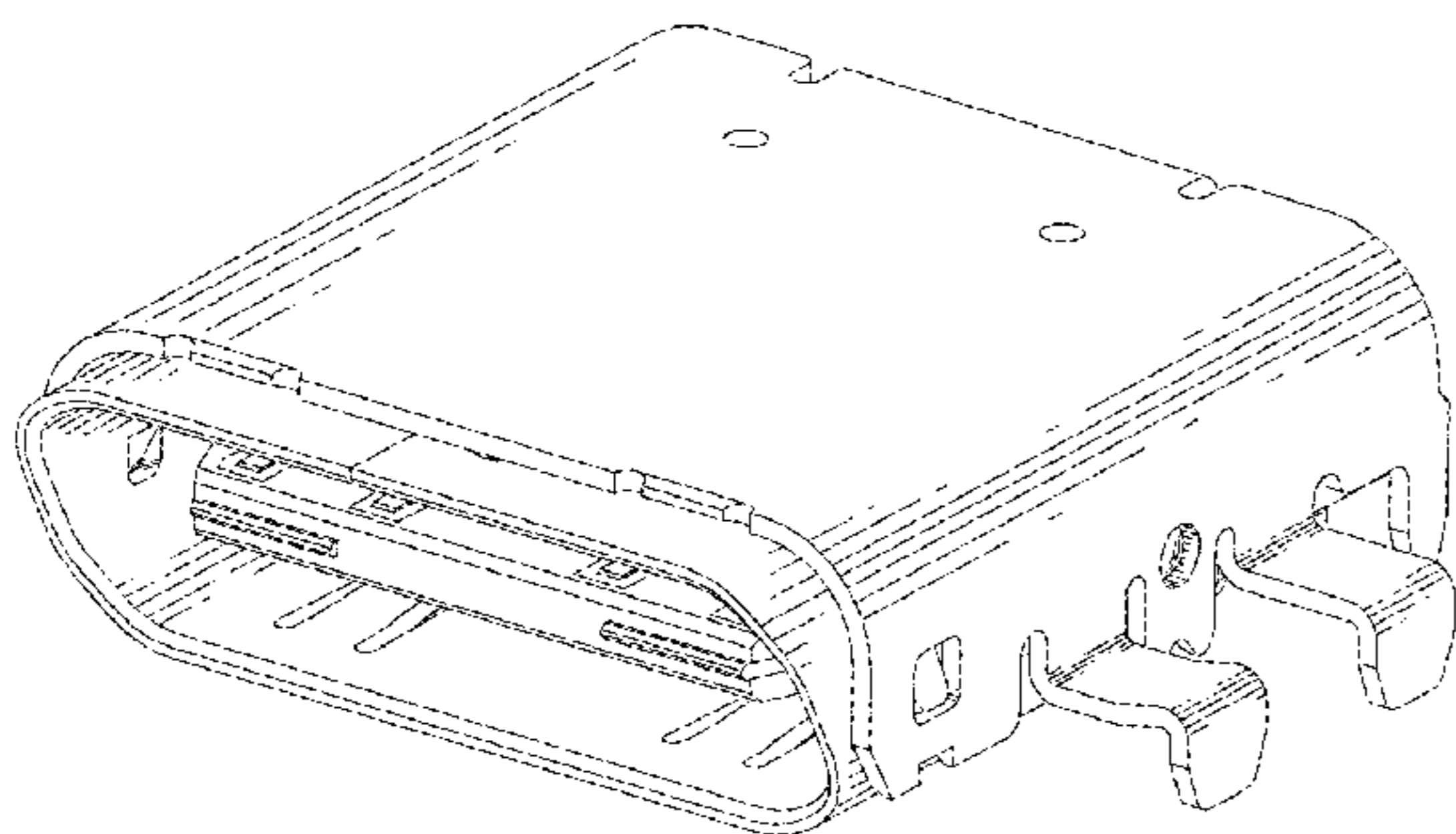
The ornamental design for a receptacle connector, as shown and described.

DESCRIPTION

FIG. 1 is a perspective view of a receptacle connector showing our new design; FIG. 2 is a front elevational view thereof; FIG. 3 is a rear elevational view thereof; FIG. 4 is a left side elevational view thereof; FIG. 5 is a right side elevational view thereof; FIG. 6 is a top plan view thereof; and FIG. 7 is a bottom plan view thereof; and, FIG. 8 is another perspective view of the receptacle connector showing our new design.

The broken line portion of the figure drawings is included to show unclaimed subject matter only and forms no part of the claimed design.

1 Claim, 8 Drawing Sheets



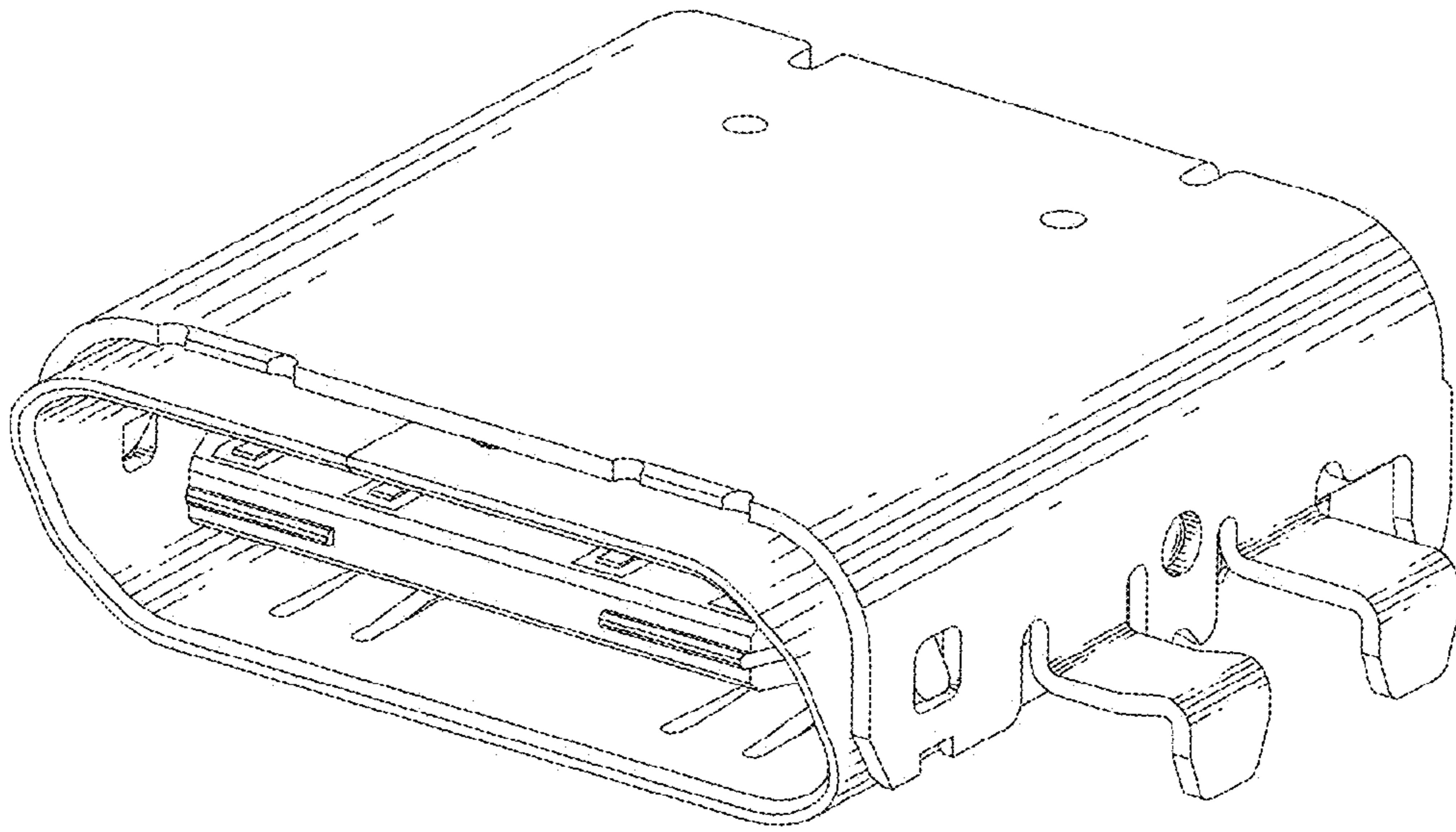


FIG. 1

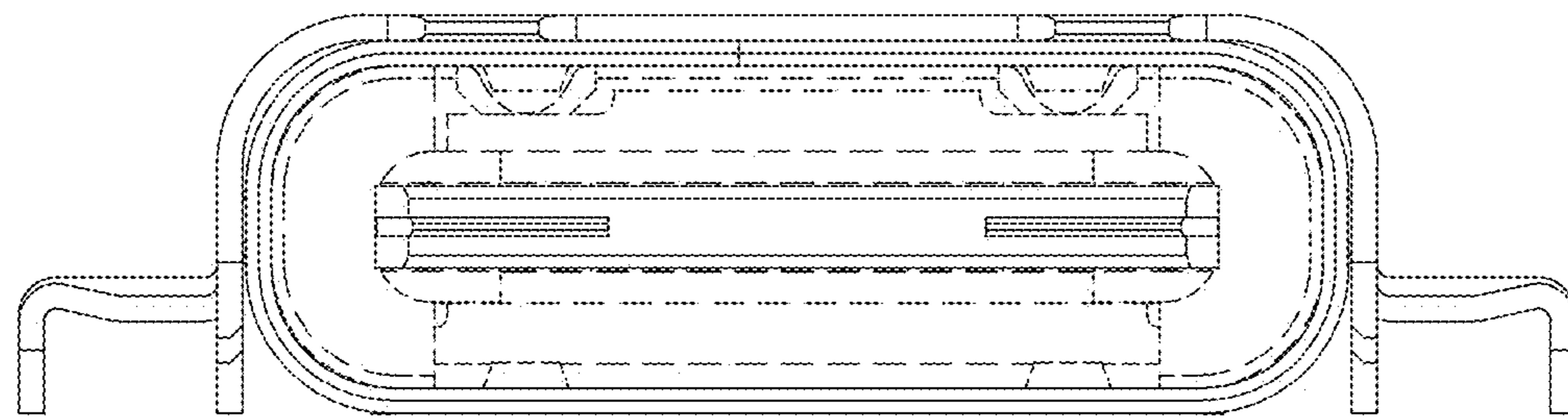


FIG. 2

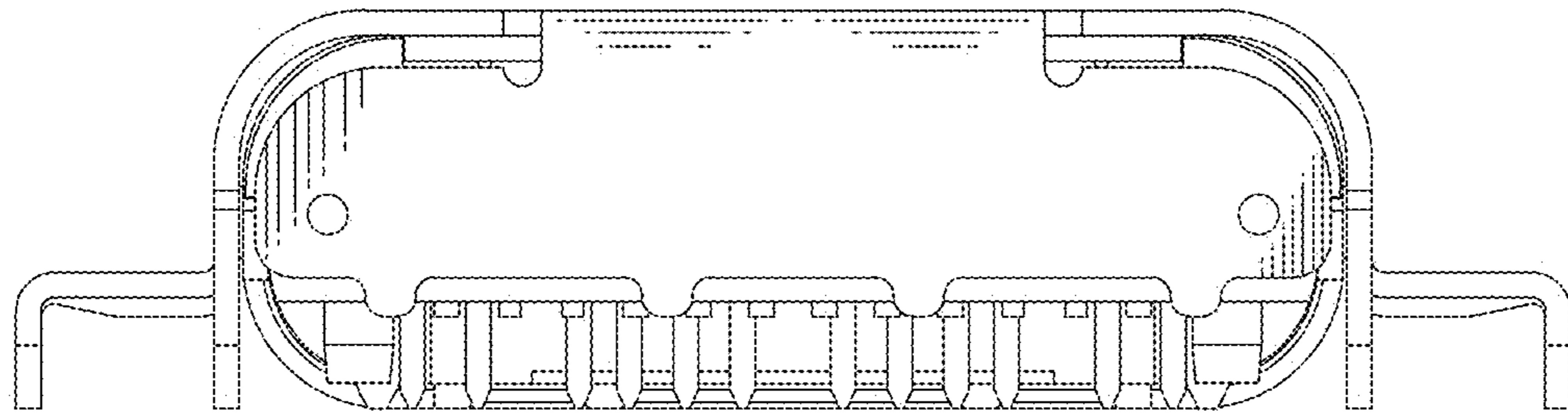


FIG. 3

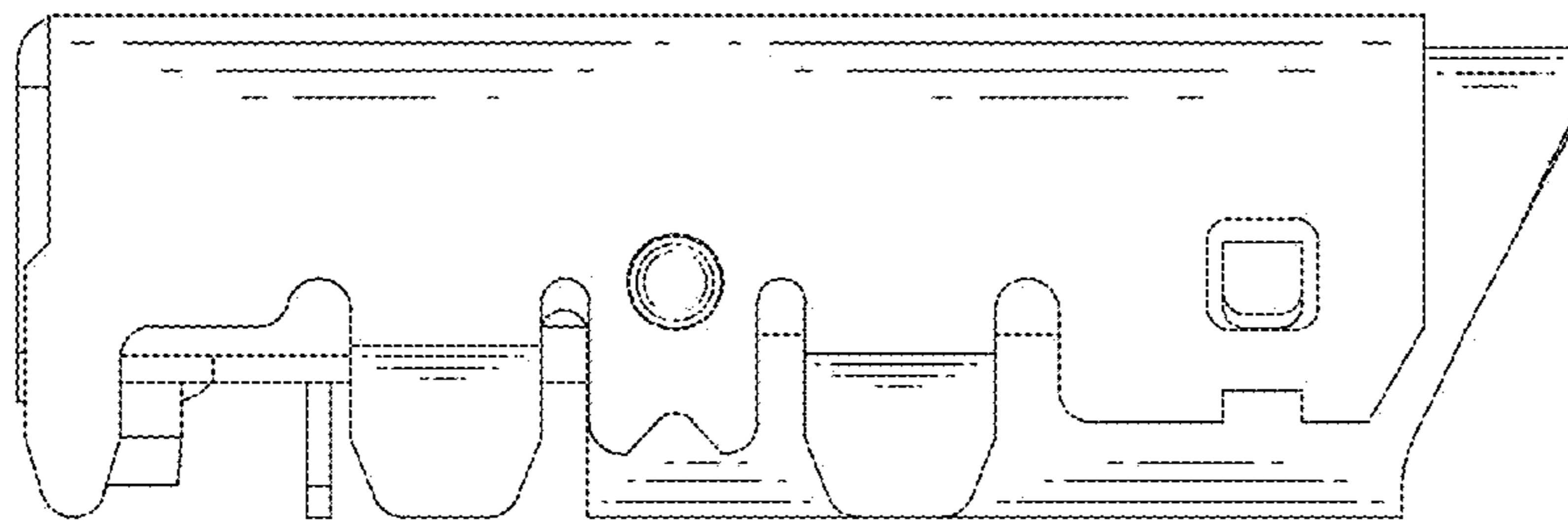


FIG. 4

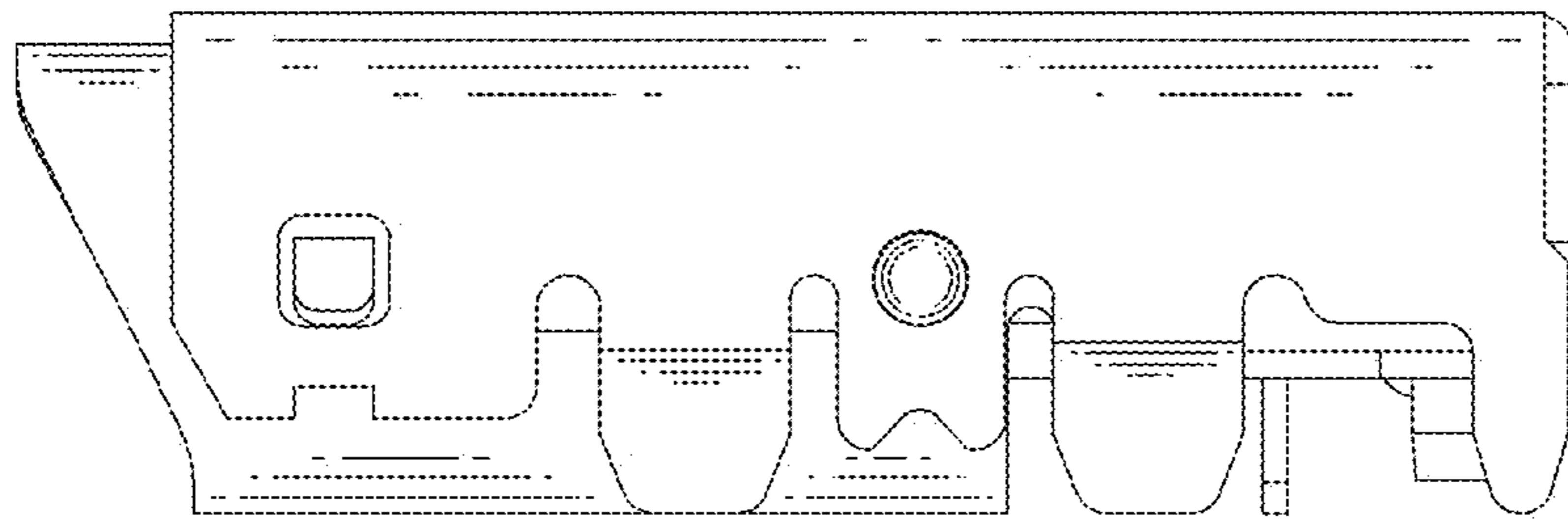


FIG. 5

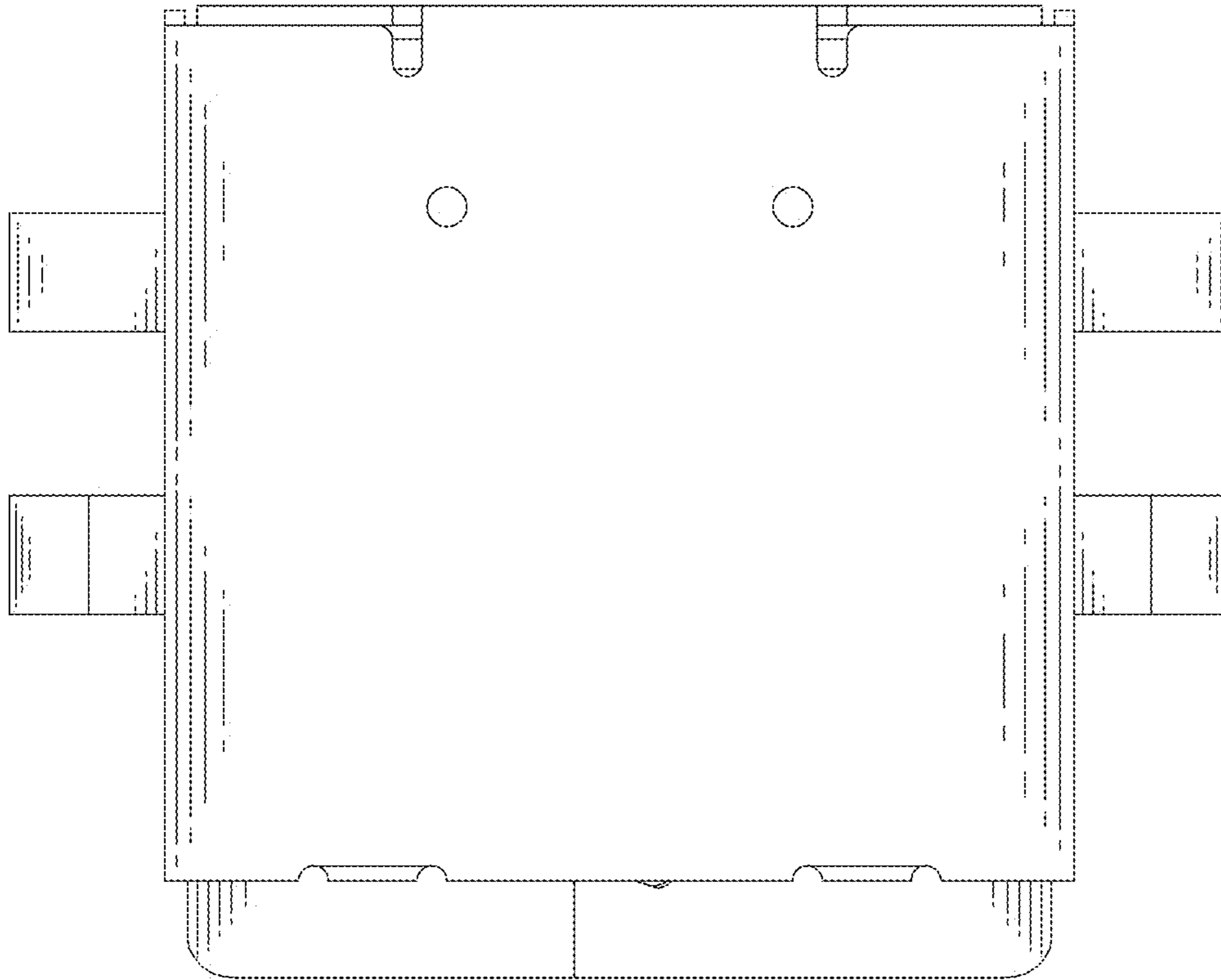


FIG. 6

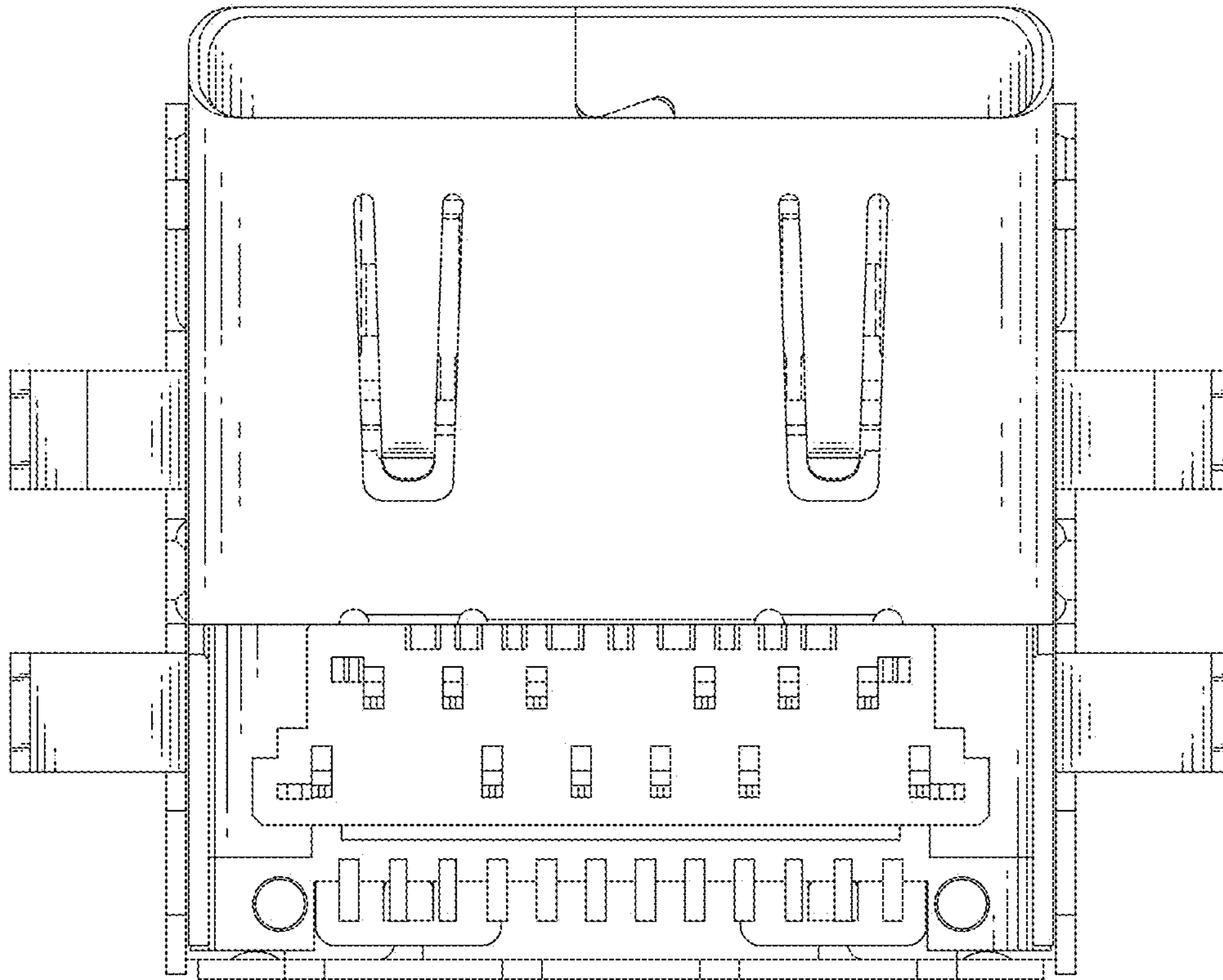


FIG. 7

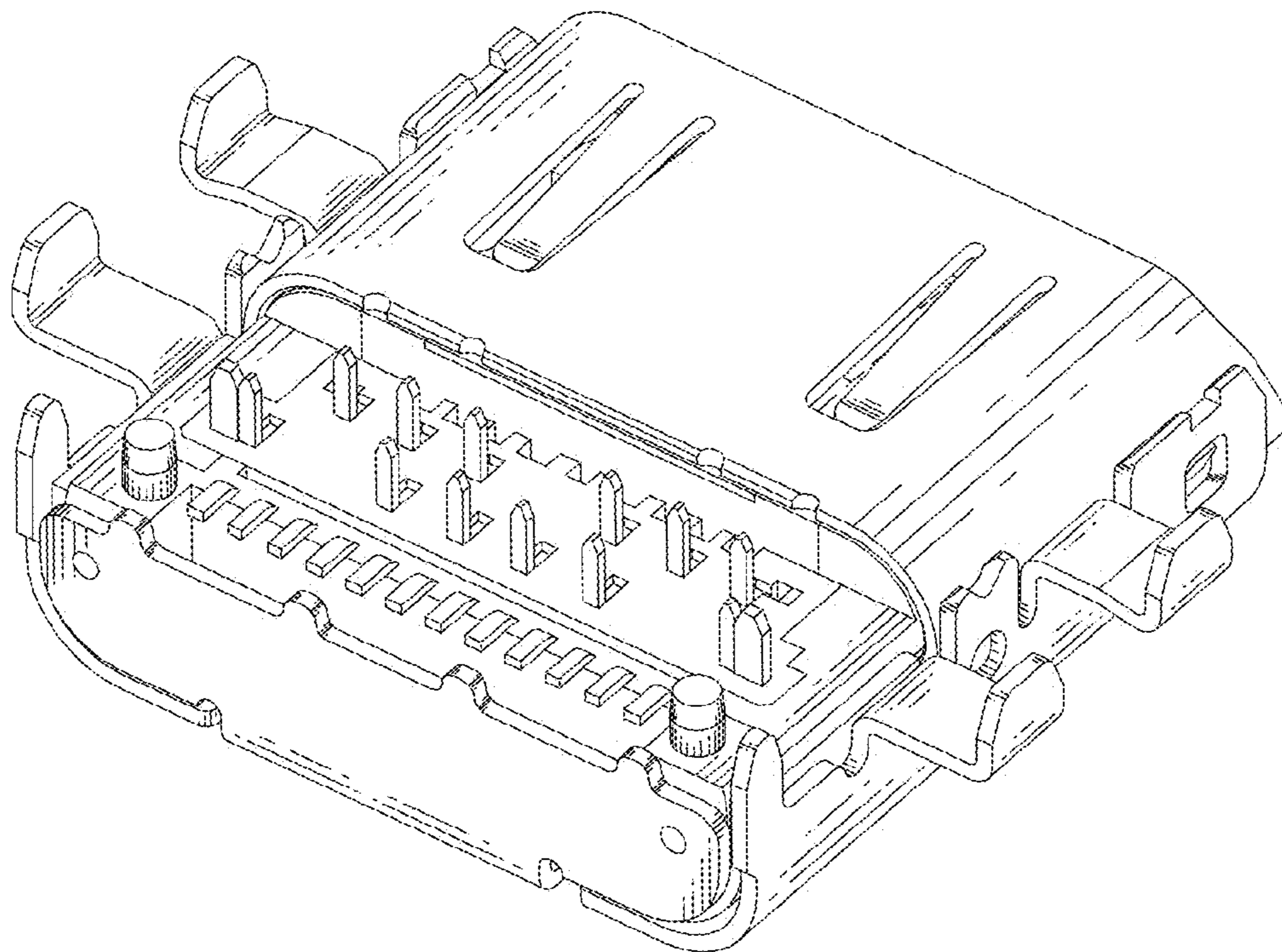


FIG. 8