



US00D767496S

(12) **United States Design Patent**
Su et al.

(10) **Patent No.:** **US D767,496 S**
(45) **Date of Patent:** **** Sep. 27, 2016**

(54) **RECEPTACLE CONNECTOR**

(71) Applicant: **Cheng Uei Precision Industry Co., Ltd.**, New Taipei (TW)

(72) Inventors: **Yu-Hung Su**, New Taipei (TW);
Chin-Chou Wang, New Taipei (TW)

(73) Assignee: **CHENG UEI PRECISION INDUSTRY CO., LTD.**, New Taipei (TW)

(**) Term: **15 Years**

(21) Appl. No.: **29/532,015**

(22) Filed: **Jun. 30, 2015**

(51) **LOC (10) Cl.** **13-03**

(52) **U.S. Cl.**
USPC **D13/147**

(58) **Field of Classification Search**
USPC D13/147, 154, 184, 199
CPC H01R 24/00; H01R 24/60; H01R 13/00;
H01R 13/516; H01R 13/64; H01R 13/6474;
H01R 13/6582; H01R 13/6595; H01R
13/6275; H01R 13/6581; H01R 13/6591;
H01R 13/6597
See application file for complete search history.

(56) **References Cited**

U.S. PATENT DOCUMENTS

D616,371 S * 5/2010 Ma D13/147
D618,623 S * 6/2010 Peng D13/147

D744,430 S * 12/2015 Yokoyama D13/147
2015/0194770 A1 * 7/2015 Little H01R 13/6582
439/607.27
2015/0200504 A1 * 7/2015 Little H01R 24/60
439/345
2016/0104976 A1 * 4/2016 Yu H01R 13/6585
439/607.05
2016/0156145 A1 * 6/2016 Kao H01R 24/60
439/676

* cited by examiner

Primary Examiner — Daniel Bui

(74) *Attorney, Agent, or Firm* — Cheng-Ju Chiang

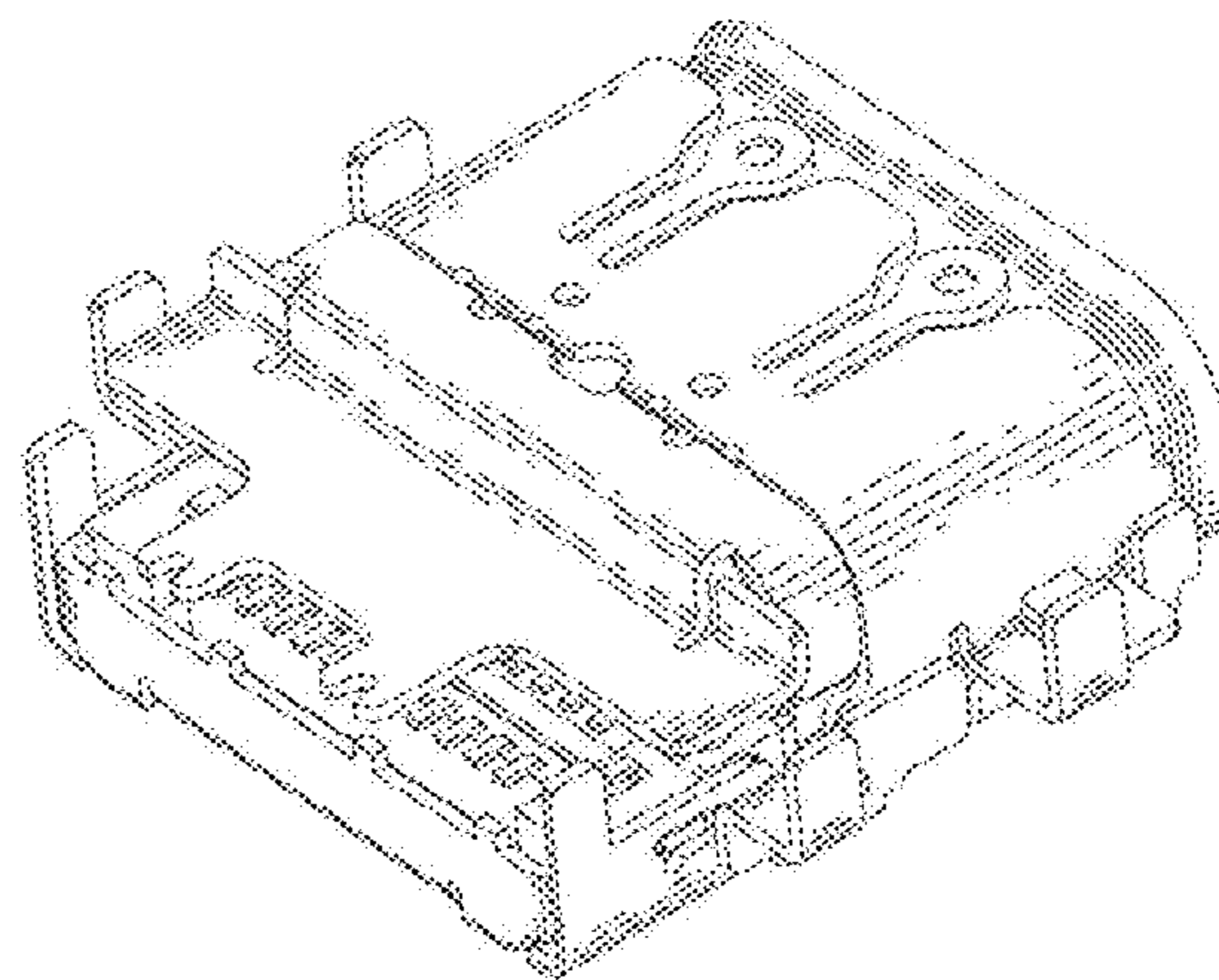
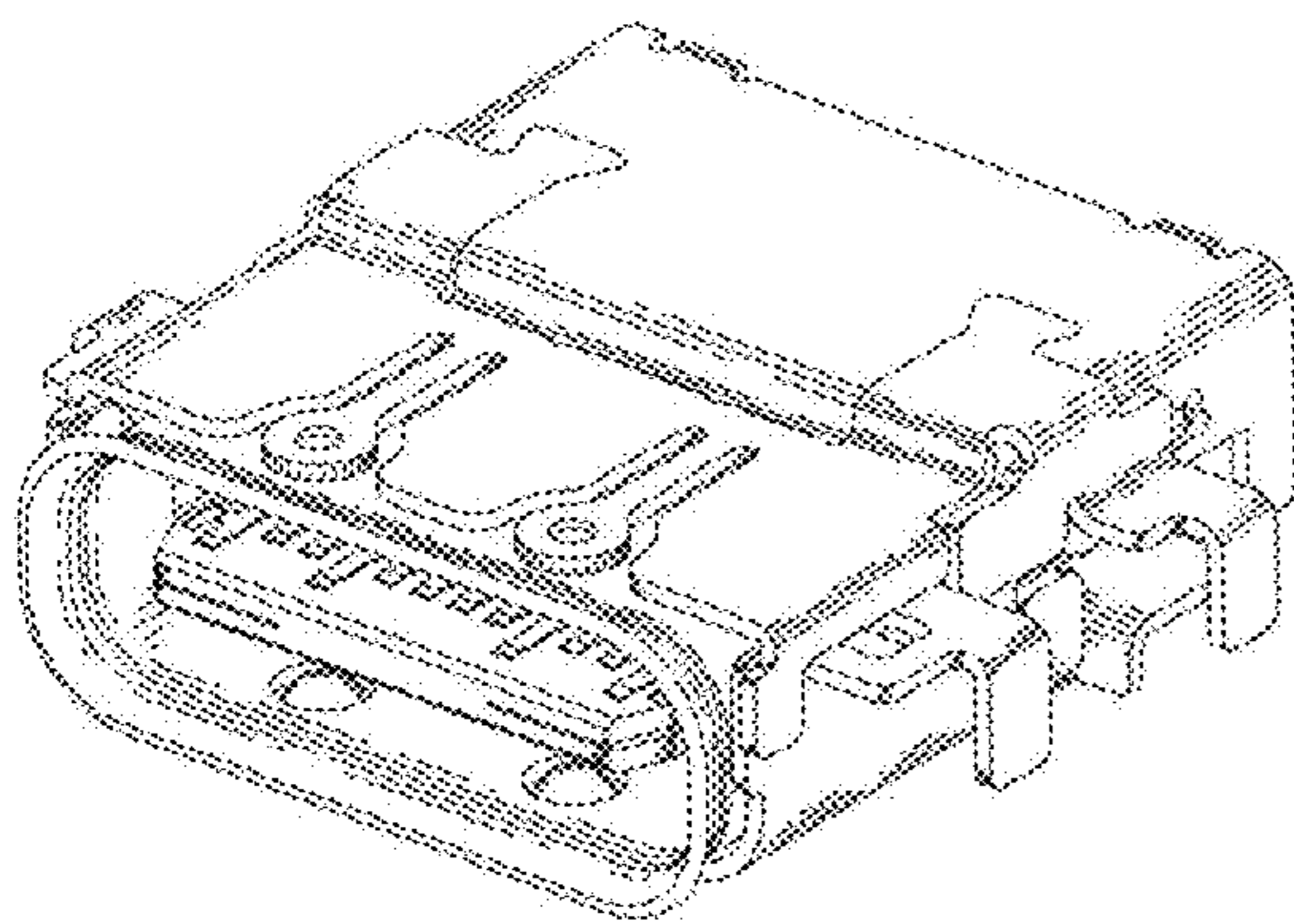
(57) **CLAIM**

The ornamental design for a receptacle connector, as shown and described.

DESCRIPTION

FIG. 1 is a perspective view of a receptacle connector showing our new design; FIG. 2 is a front elevational view thereof; FIG. 3 is a rear elevational view thereof; FIG. 4 is a left side elevational view thereof; FIG. 5 is a right side elevational view thereof; FIG. 6 is a top plan view thereof; and FIG. 7 is a bottom plan view thereof; and, FIG. 8 is another perspective view of the receptacle connector showing our new design. The broken line portion of the figure drawings is included to show unclaimed subject matter only and forms no part of the claimed design.

1 Claim, 8 Drawing Sheets



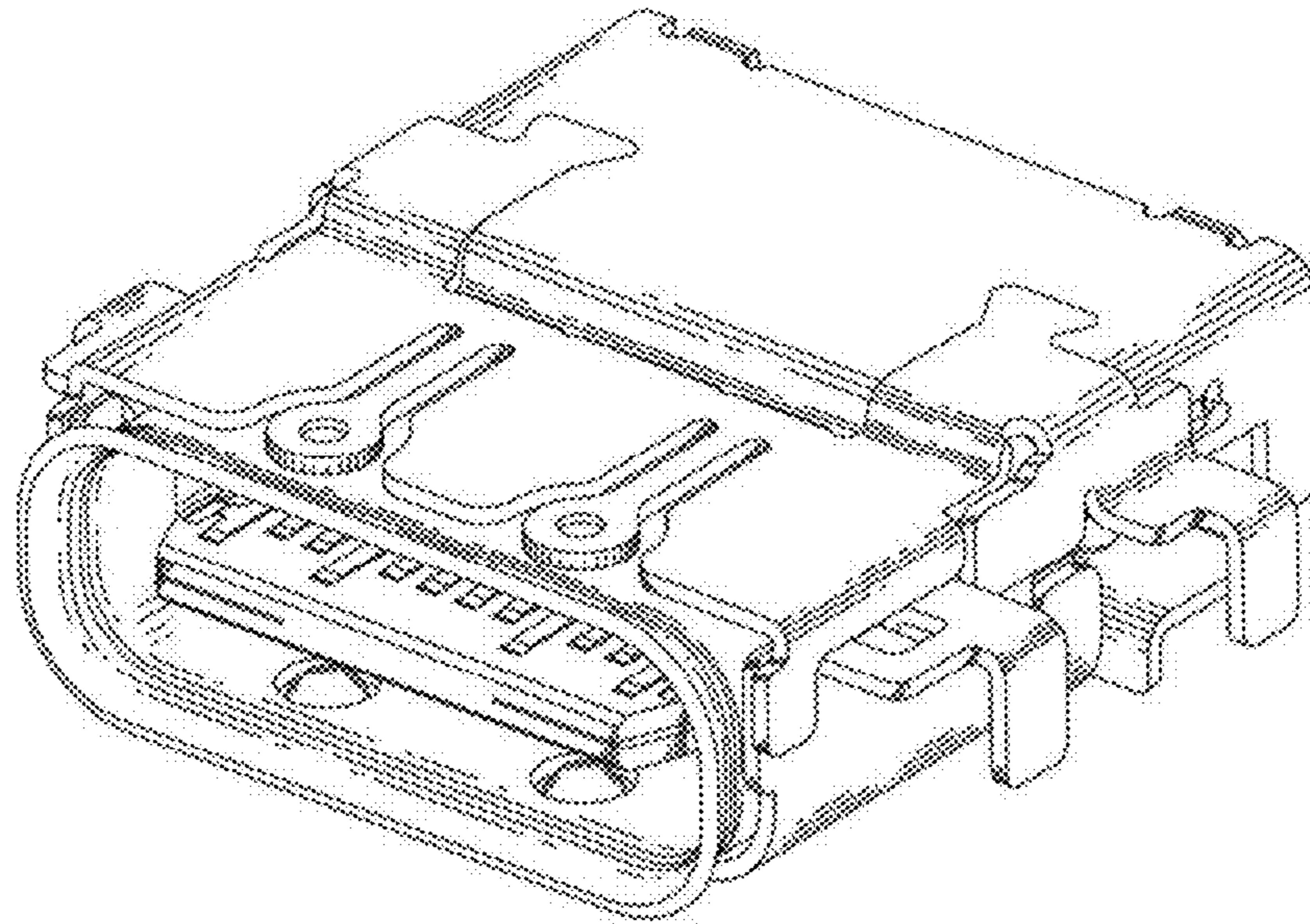


FIG. 1

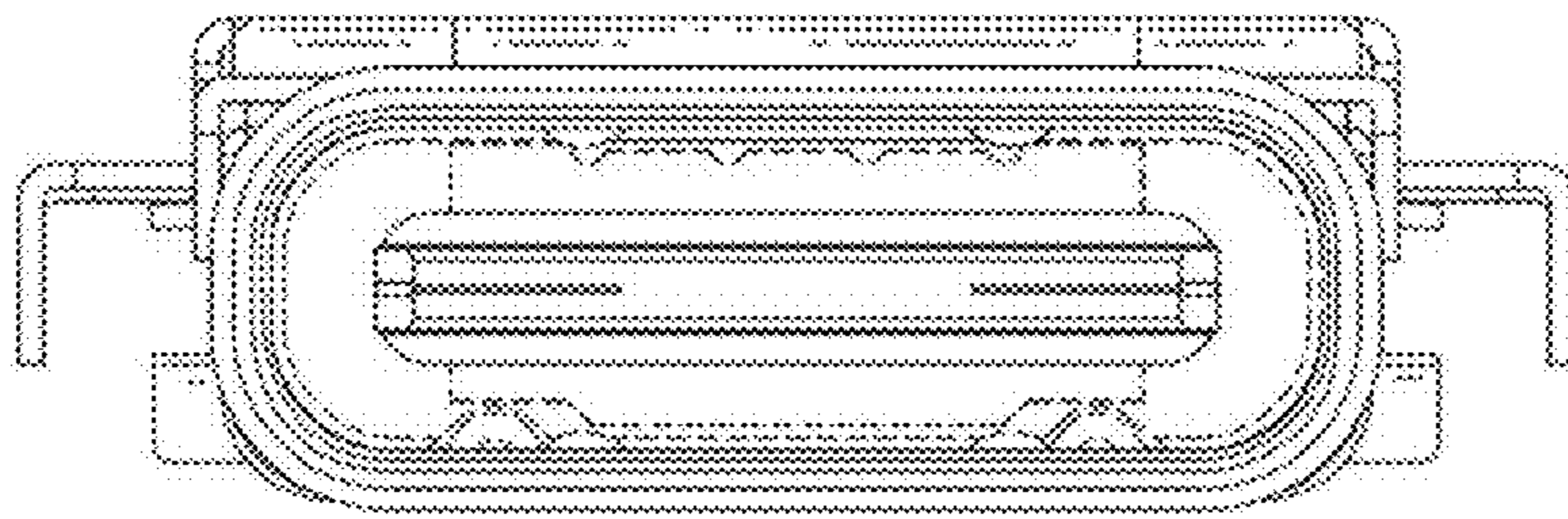


FIG. 2



FIG. 3

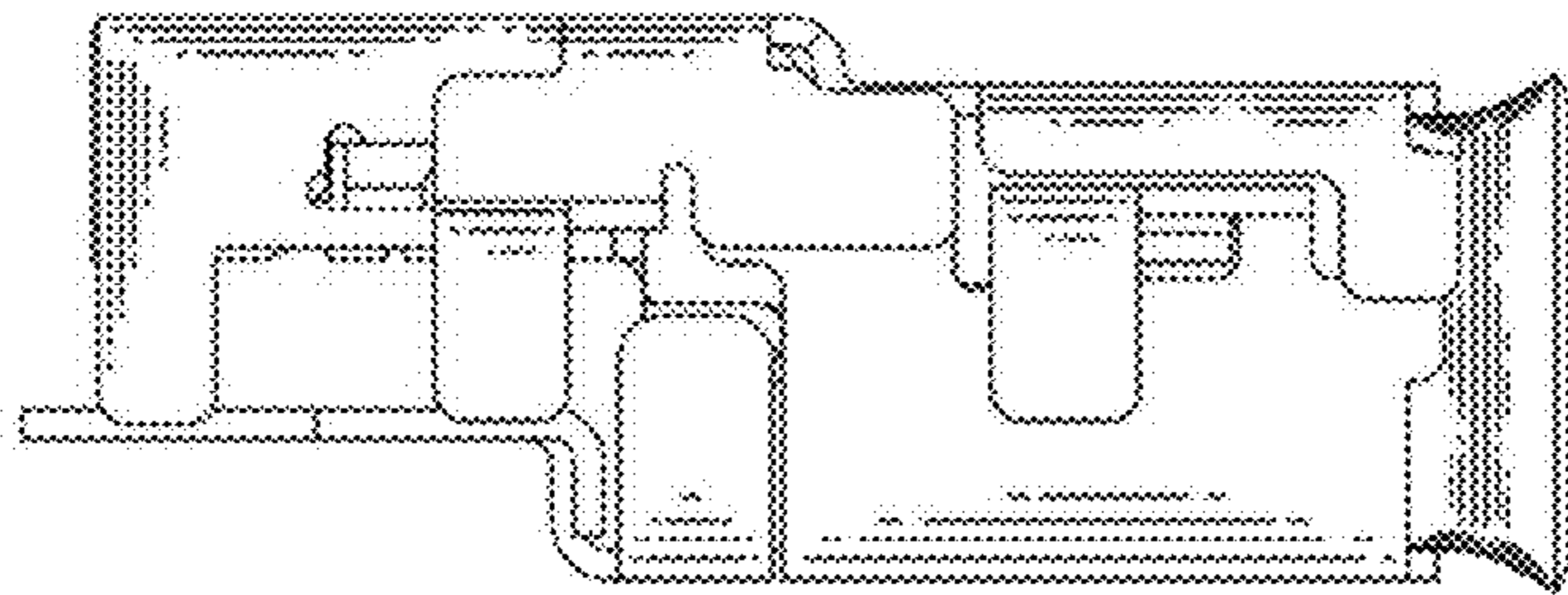


FIG. 4

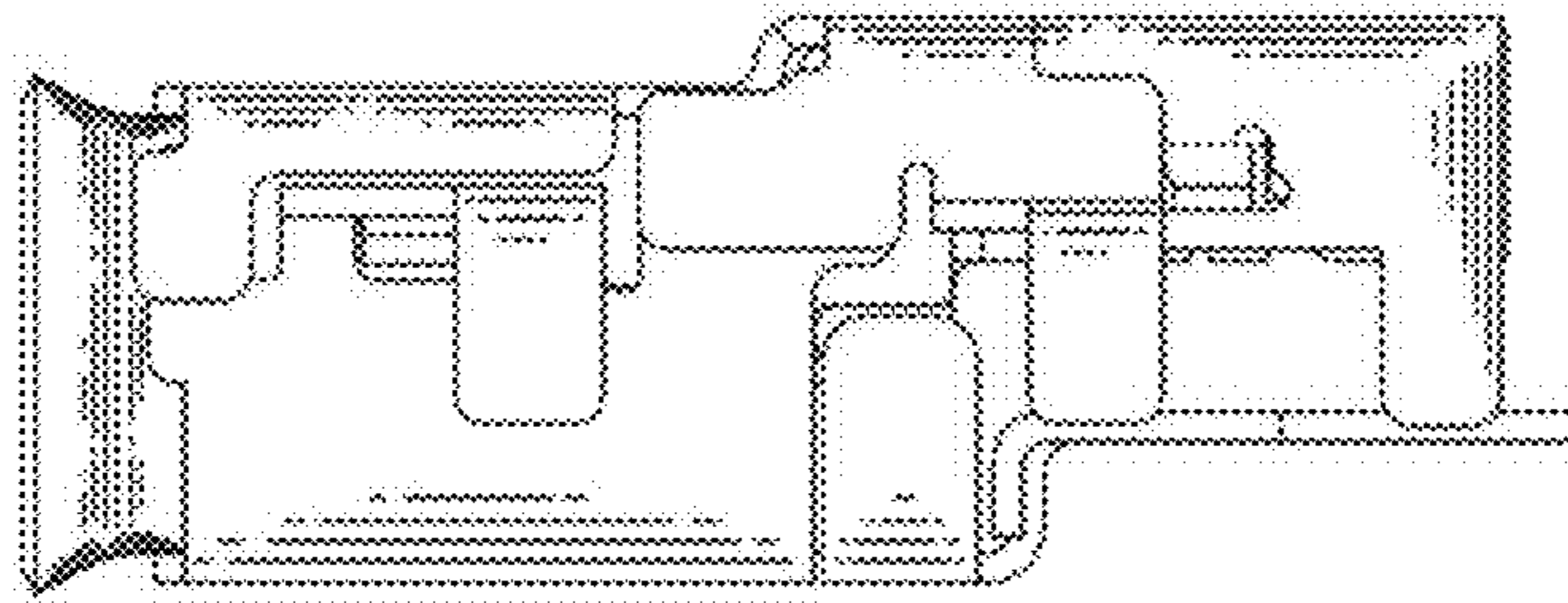


FIG. 5

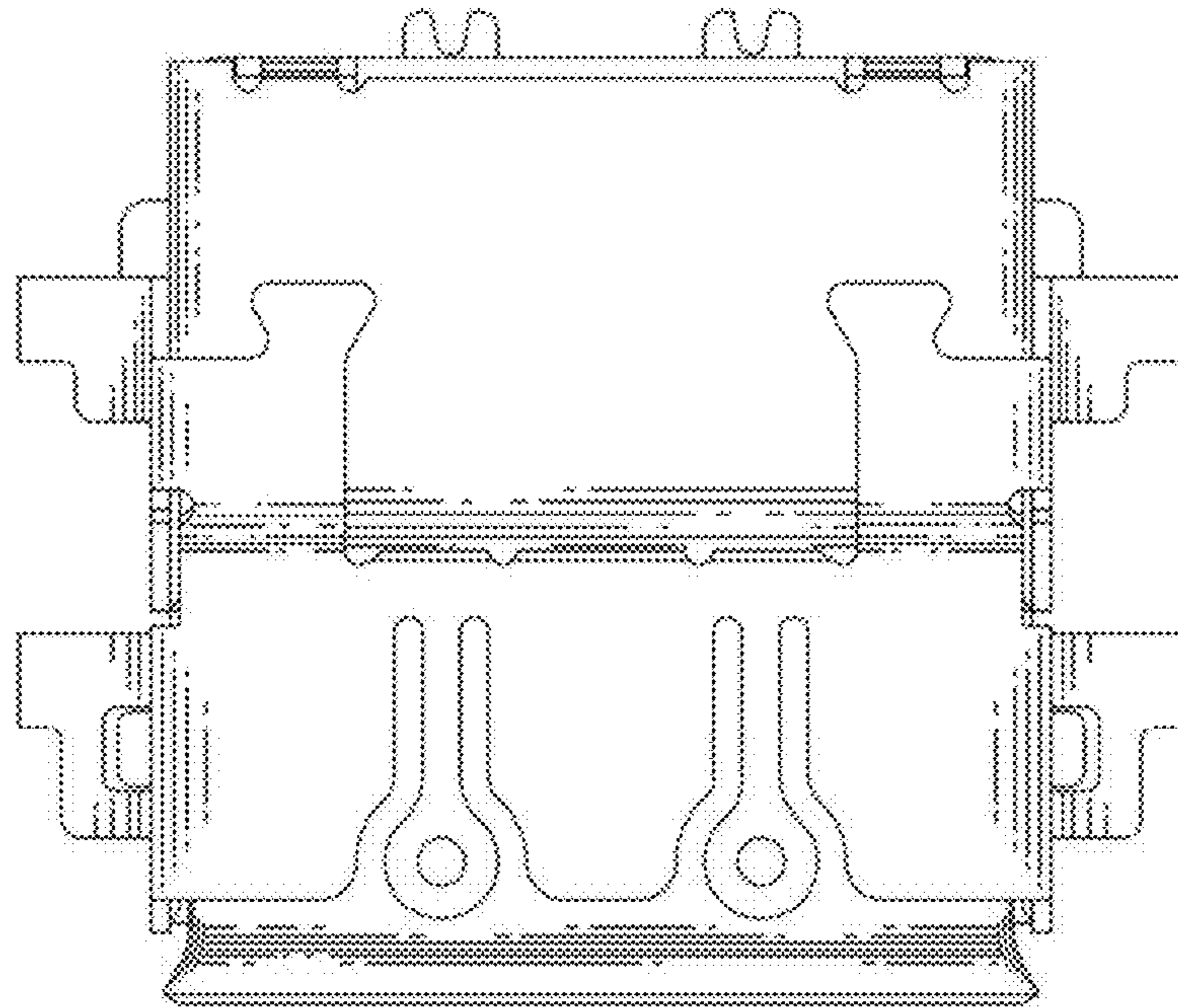


FIG. 6

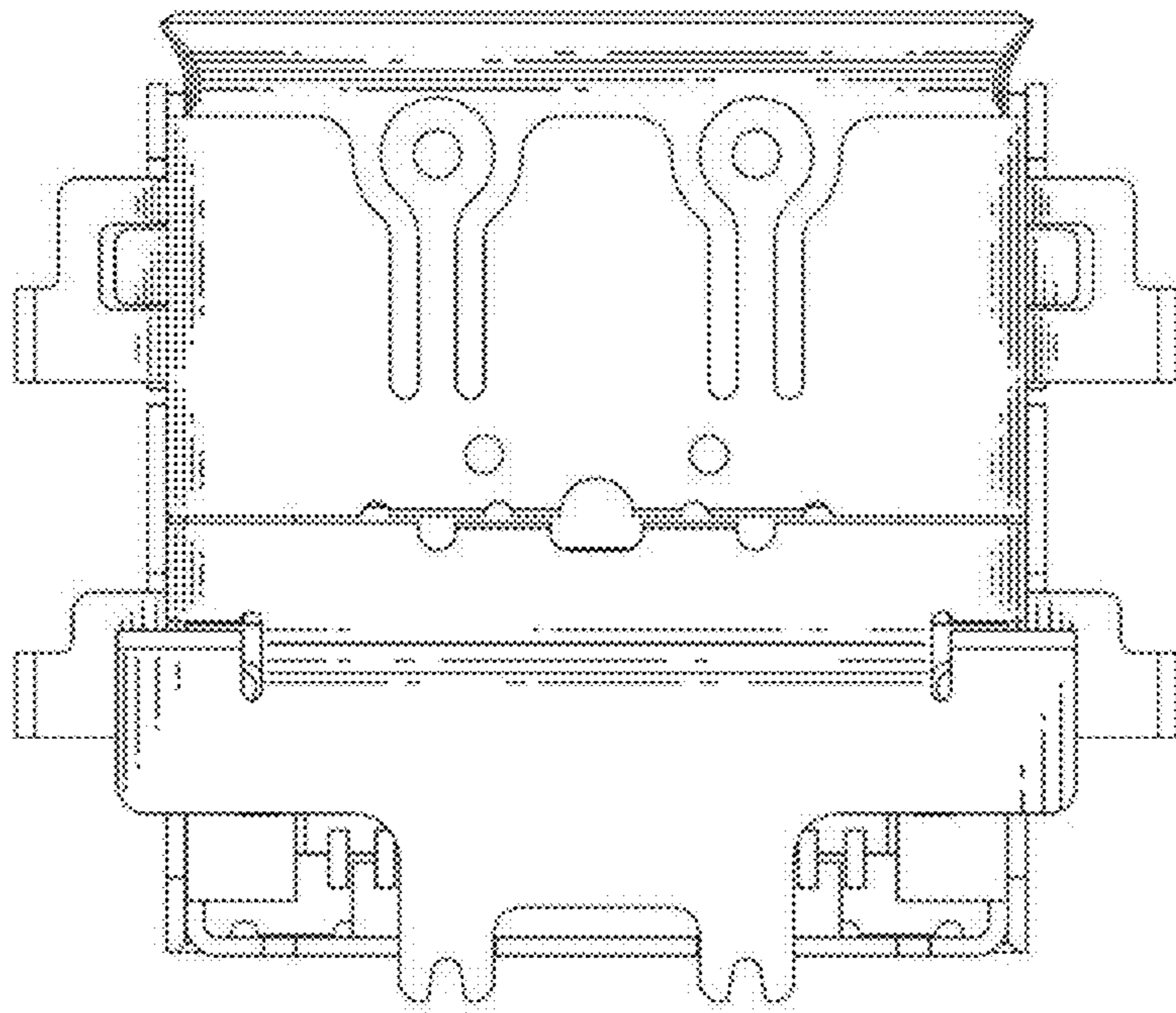


FIG. 7

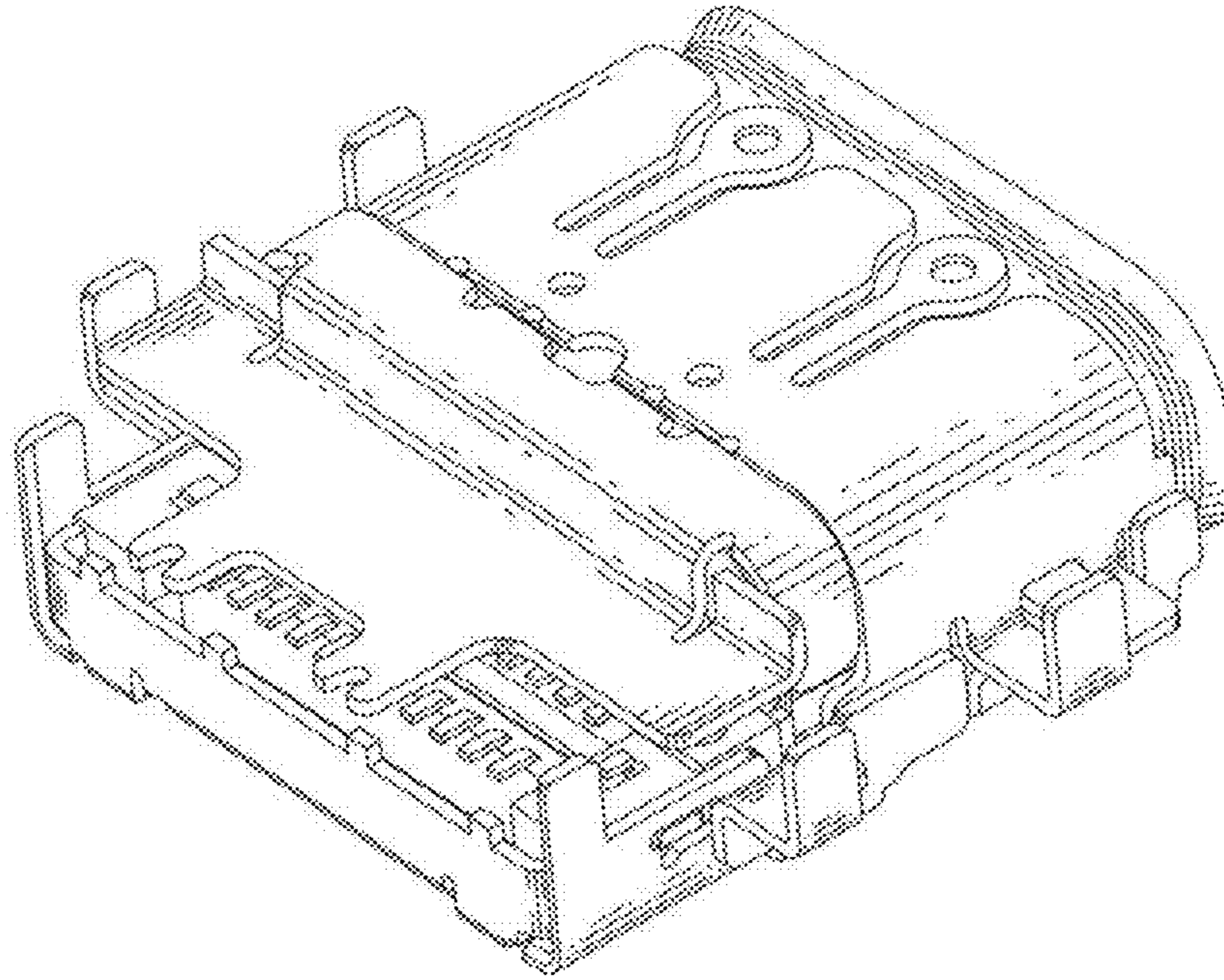


FIG. 8