



US00D767495S

(12) **United States Design Patent** (10) **Patent No.:** **US D767,495 S**
Halleck et al. (45) **Date of Patent:** **** Sep. 27, 2016**

(54) **VIDEO CAMERA CABLE ADAPTER/CONNECTOR**

(71) Applicants: **Kevin E. Halleck**, Santa Barbara, CA (US); **Greg M. Chambers**, San Luis Obispo, CA (US)

(72) Inventors: **Kevin E. Halleck**, Santa Barbara, CA (US); **Greg M. Chambers**, San Luis Obispo, CA (US)

(73) Assignee: **Karl Storz Imaging, Inc.**, Goleta (DE)

(**) Term: **15 Years**

(21) Appl. No.: **29/530,972**

(22) Filed: **Jun. 22, 2015**

(51) **LOC (10) Cl.** **13-03**

(52) **U.S. Cl.**
USPC **D13/147**

(58) **Field of Classification Search**
USPC D13/146, 147, 154, 184, 199
CPC H01R 12/70; H01R 12/7005; H01R 12/7006; H01R 12/71; H01R 2/716; H01R 12/718; H01R 12/72; H01R 12/73; H01R 12/732; H01R 12/77; H01R 12/774; H01R 12/775; H01R 12/778; H01R 12/79; H01R 12/85; H01R 12/87; H01R 12/89; H01R 12/91; H01R 13/02; H01R 13/03; H01R 13/05; H01R 13/11; H01R 13/15; H01R 13/20; H01R 13/213; H01R 13/24; H01R 13/2464; H01R 13/2471; H01R 13/2492; H01R 13/26; H01R 13/405; H01R 13/41; H01R 13/422; H01R 13/4223; H01R 13/426; H01R 13/428; H01R 13/44; H01R 13/506; H01R 13/516; H01R 24/20; H01R 24/22; H01R 24/28; H01R 24/30; H01R 24/40; H01R 24/48; H01R 24/50; H01R 24/58; H01R 24/60; H01R 24/62; H01R 24/64; H01R 24/78; H01R 43/16; H01R 43/256; H01R 43/263

See application file for complete search history.

(56) **References Cited**

U.S. PATENT DOCUMENTS

D474,276 S	5/2003	Greise et al.	
D474,745 S	5/2003	Amling et al.	
D482,334 S	11/2003	Amling et al.	
D501,864 S	2/2005	Greise et al.	
D523,455 S	6/2006	Greise et al.	
D581,051 S	11/2008	Melder	
D587,804 S	3/2009	Ruiz et al.	
D607,032 S	12/2009	Halleck et al.	
D643,534 S	8/2011	Halleck et al.	
D651,312 S	12/2011	Halleck et al.	
D687,476 S	8/2013	Halleck et al.	
D695,228 S	12/2013	Halleck et al.	
D713,349 S *	9/2014	Igarashi	D13/147
D713,795 S *	9/2014	Yang	D13/147
D733,658 S *	7/2015	Yang	D13/147
2003/0133011 A1 *	7/2003	Amling	A61B 1/00119 348/141
2005/0267329 A1	12/2005	Konstorum et al.	
2007/0276183 A1	11/2007	Melder	
2010/0069711 A1	3/2010	Deng et al.	

OTHER PUBLICATIONS

U.S. Appl. No. 29/441,115, filed Dec. 31, 2012, Mirrer, et al.

* cited by examiner

Primary Examiner — Daniel Bui

(74) *Attorney, Agent, or Firm* — Whitmyer IP Group LLC

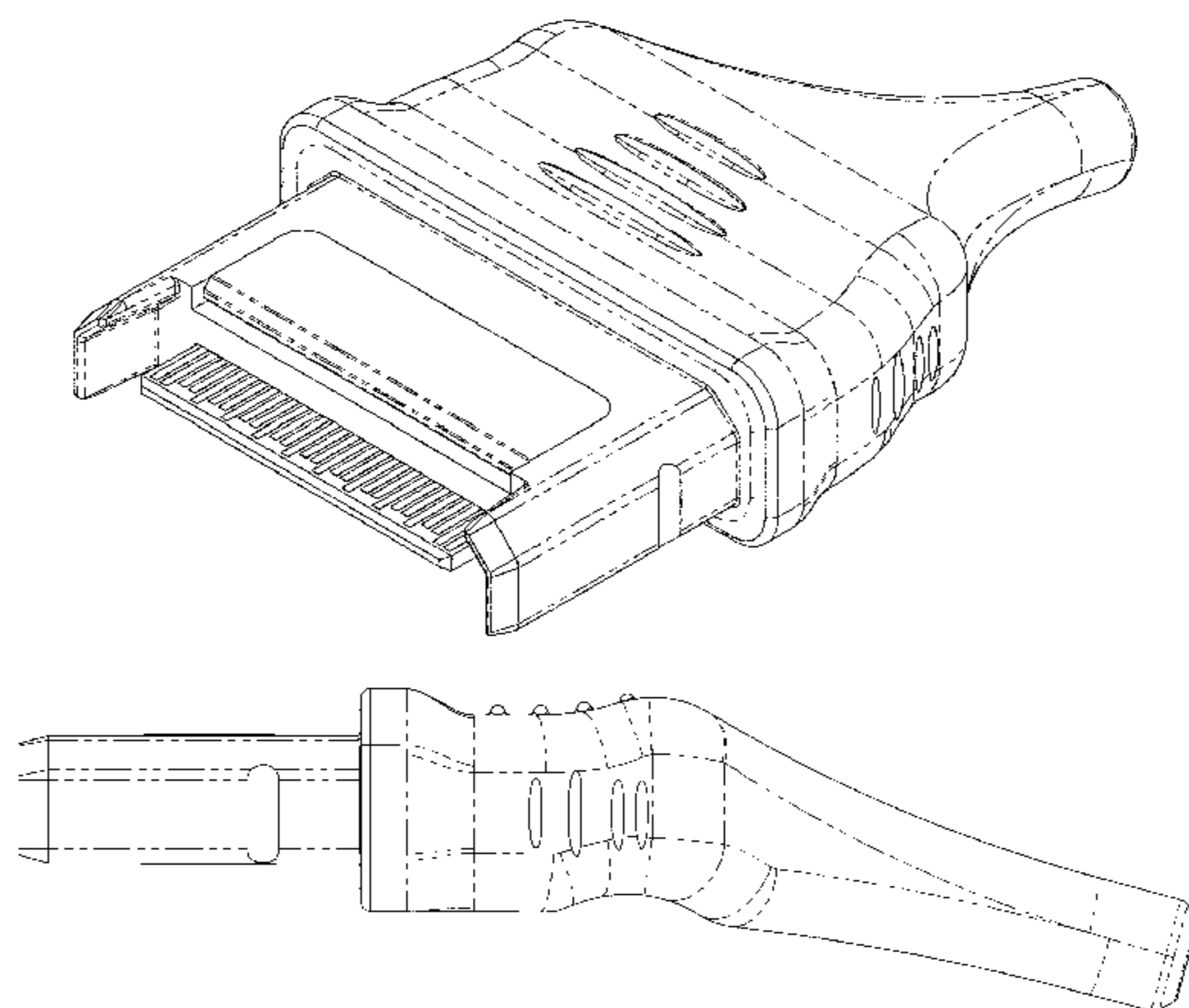
(57) **CLAIM**

The ornamental design for a video camera cable adapter/connector, as shown and described.

DESCRIPTION

FIG. 1 is a top, front and right side perspective view of a video camera cable adapter/connector showing our new design;
FIG. 2 is a top plan view thereof;
FIG. 3 is a bottom plan view thereof;
FIG. 4 is a right side elevational view thereof;
FIG. 5 is a left side elevational view thereof;
FIG. 6 is a front elevational view thereof; and,
FIG. 7 is a rear elevational view thereof.

1 Claim, 7 Drawing Sheets



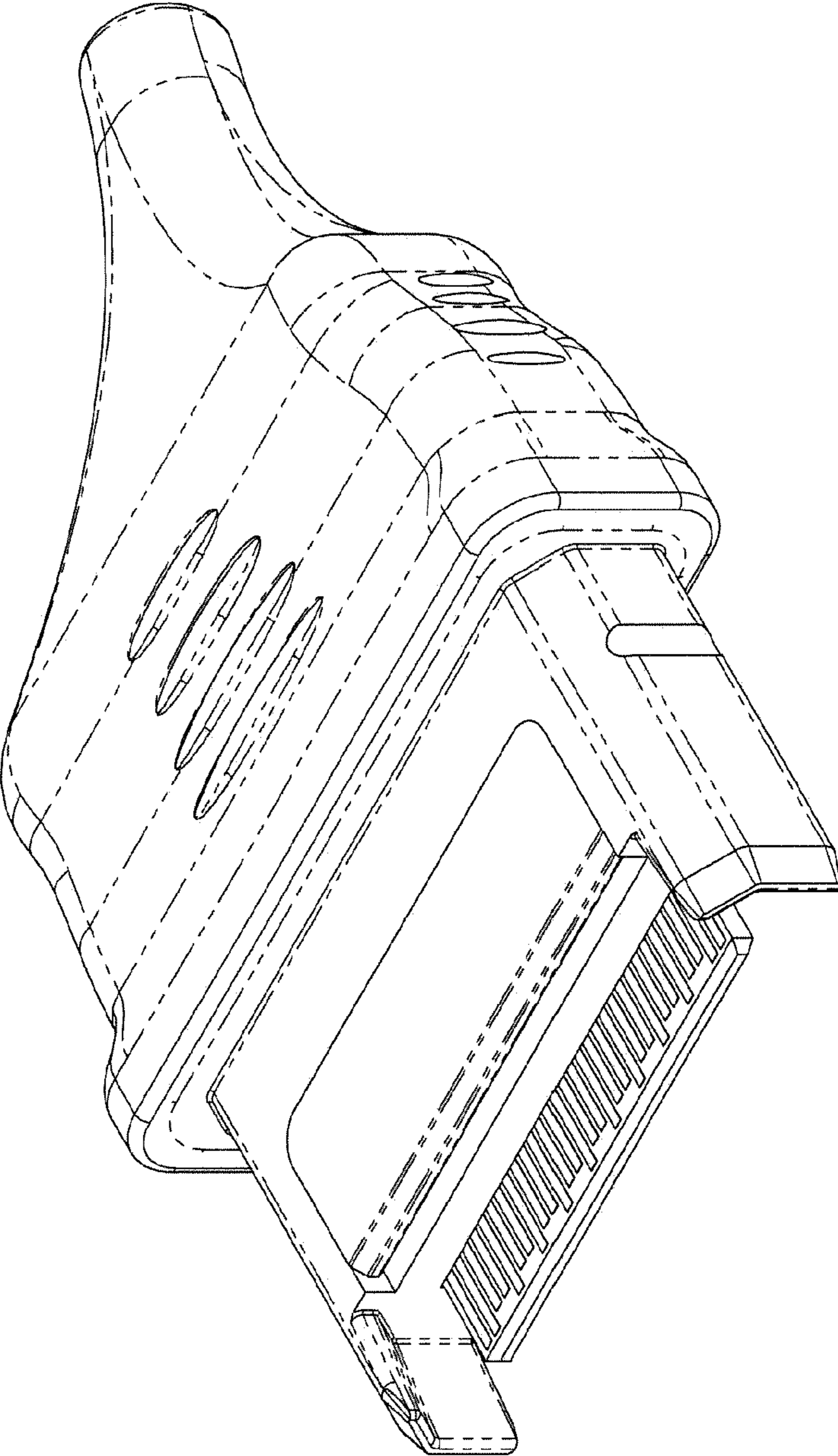


Fig. 1

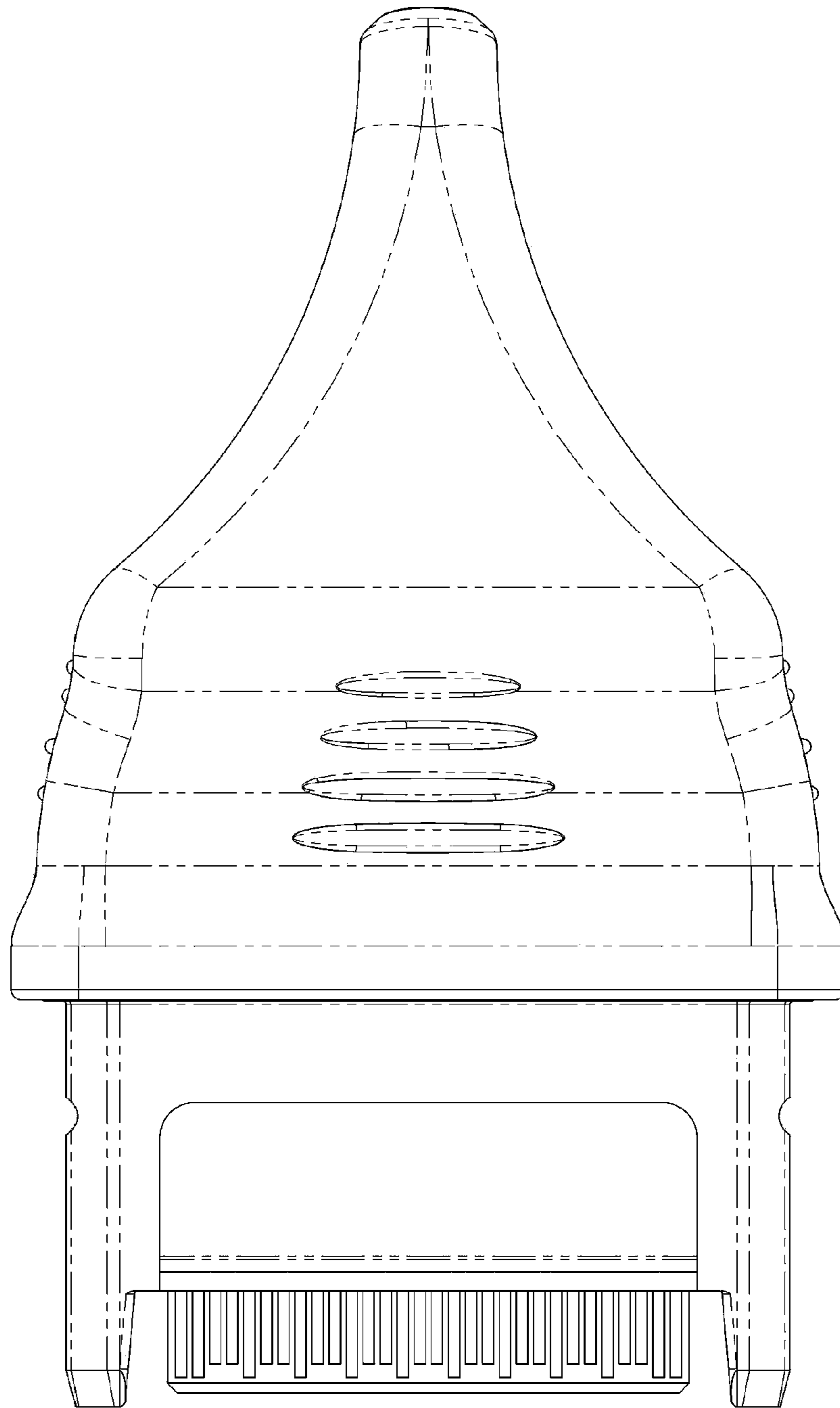


Fig. 2

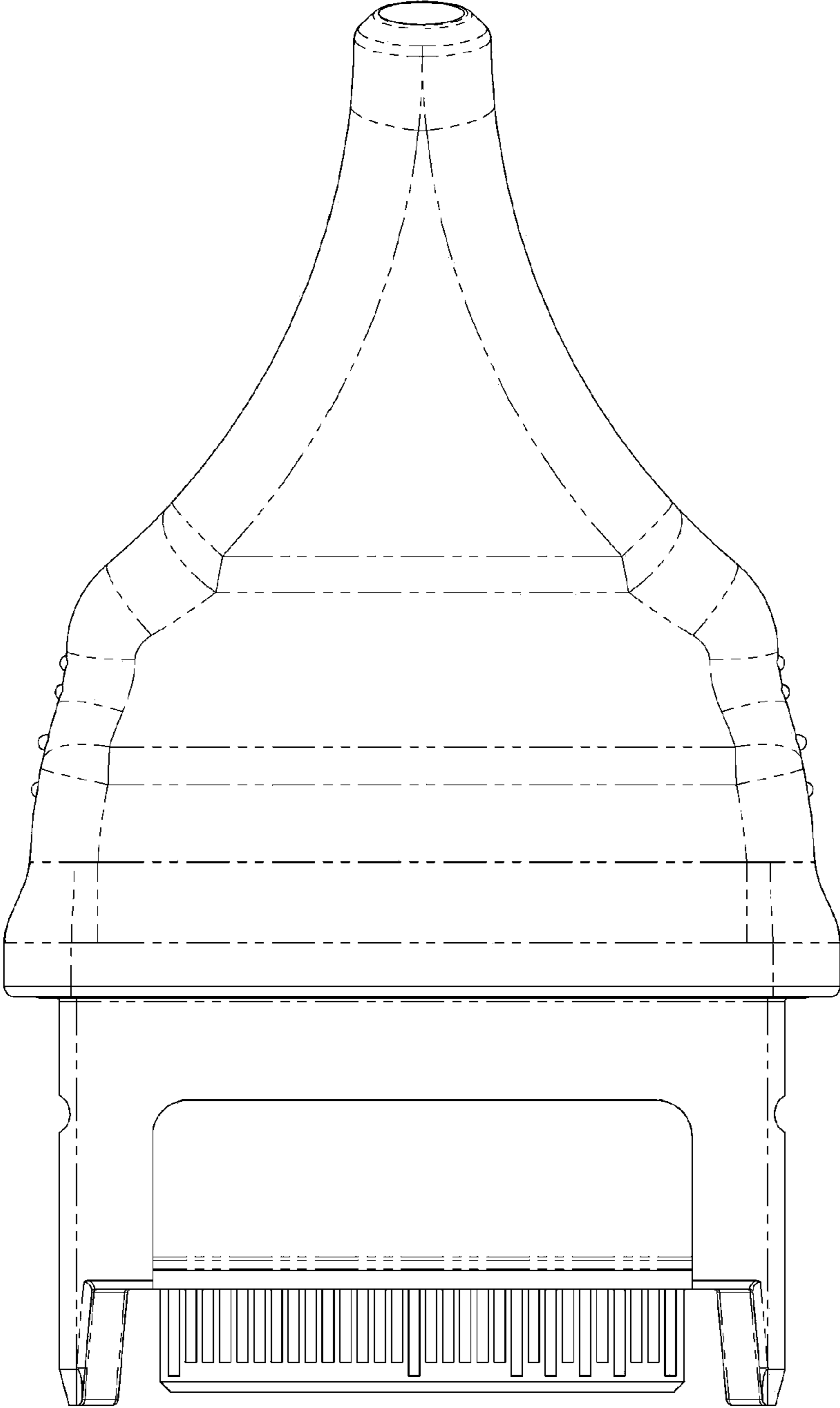


Fig. 3

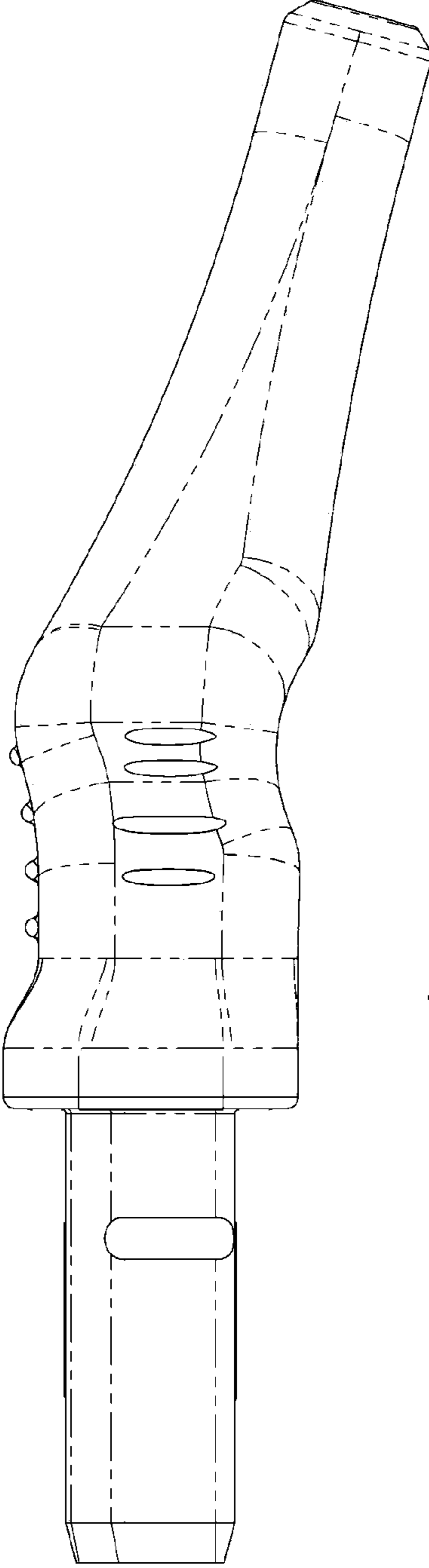


Fig. 4

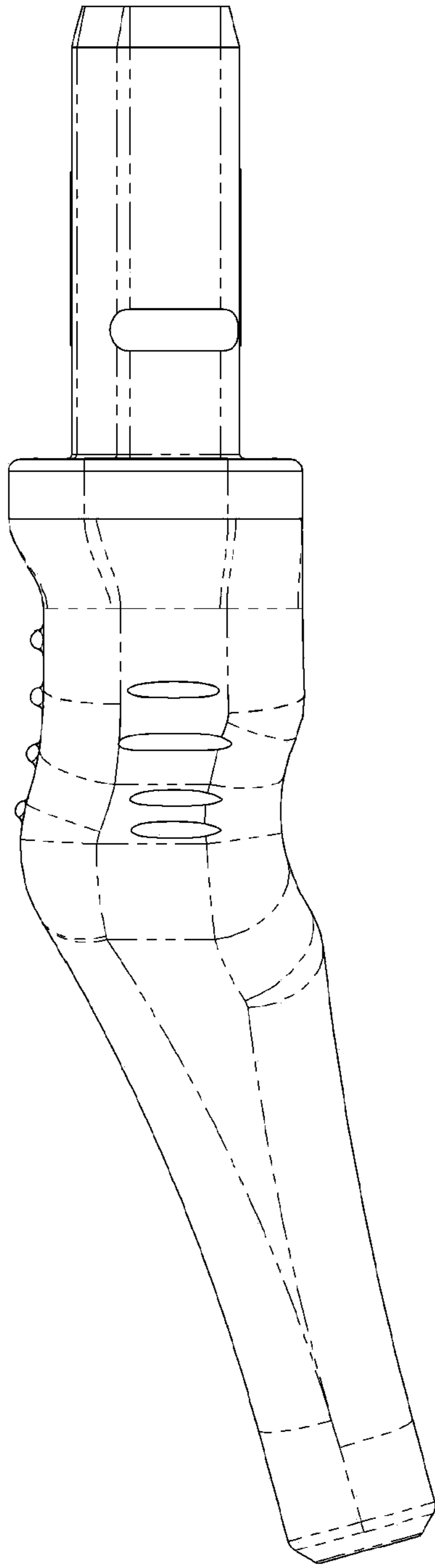


Fig. 5

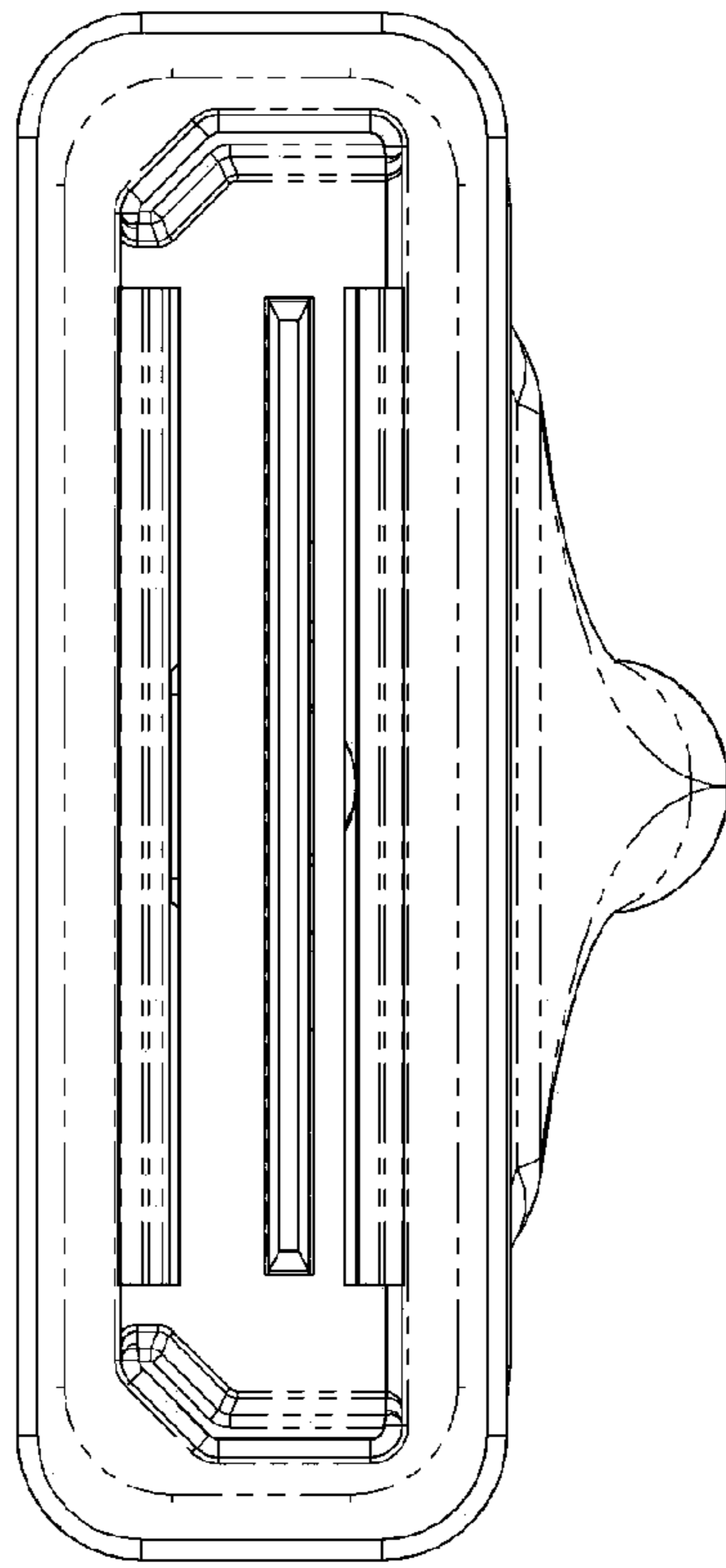


Fig. 6

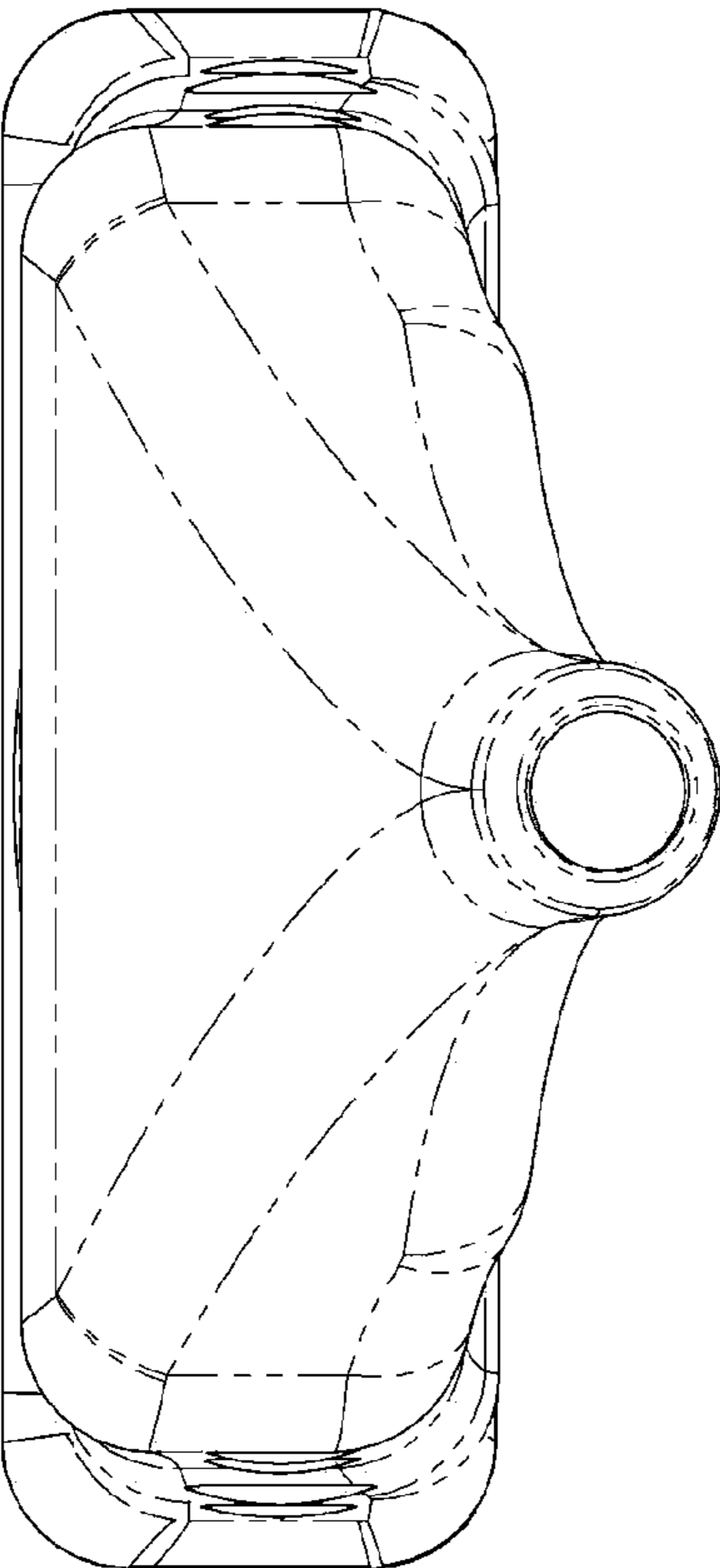


Fig. 7