



US00D767494S

(12) **United States Design Patent**
Tada

(10) **Patent No.:** **US D767,494 S**

(45) **Date of Patent:** **** Sep. 27, 2016**

(54) **ELECTRICAL CONNECTOR**

(71) Applicant: **Japan Aviation Electronics Industry, Limited, Tokyo (JP)**

(72) Inventor: **Takashi Tada, Tokyo (JP)**

(73) Assignee: **Japan Aviation Electronics Industry, Limited, Tokyo (JP)**

(**) Term: **15 Years**

(21) Appl. No.: **29/528,168**

(22) Filed: **May 27, 2015**

(30) **Foreign Application Priority Data**

Dec. 12, 2014 (JP) 2014-027753

(51) **LOC (10) Cl.** **13-03**

(52) **U.S. Cl.**
USPC **D13/147**

(58) **Field of Classification Search**

USPC D13/147, 154, 184, 199
CPC H01R 13/00; H01R 24/00; H01R 13/52;
H01R 13/5202; H01R 13/521; H01R 24/76
See application file for complete search history.

(56) **References Cited**

U.S. PATENT DOCUMENTS

D516,519 S * 3/2006 Nishio D13/147
D618,623 S * 6/2010 Peng D13/147
D744,430 S * 12/2015 Yokoyama D13/147
2015/0244101 A1* 8/2015 Chien H01R 13/5202
439/271

2015/0340815 A1* 11/2015 Gao H01R 13/6581
439/607.01
2016/0033198 A1* 2/2016 Hsiao F26B 3/28
439/485

FOREIGN PATENT DOCUMENTS

JP 1445437 S 7/2012
JP 1445438 S 7/2012
JP 1445439 S 7/2012
JP 1445440 S 7/2012
JP 1445441 S 7/2012
JP 1445442 S 7/2012

* cited by examiner

Primary Examiner — Daniel Bui

(74) *Attorney, Agent, or Firm* — aCermak Nakajima & McGowan LLP; Tomoko Nakajima

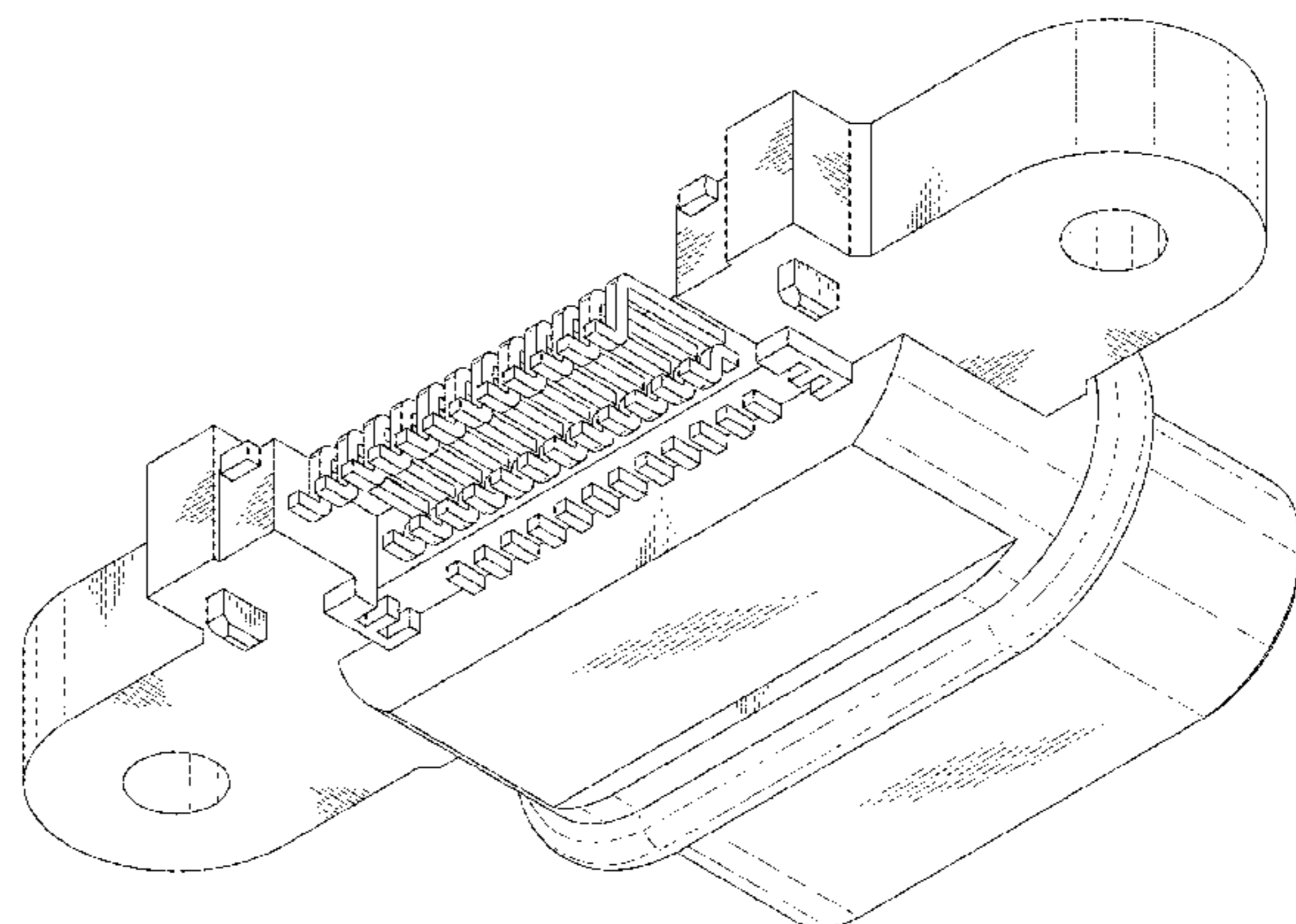
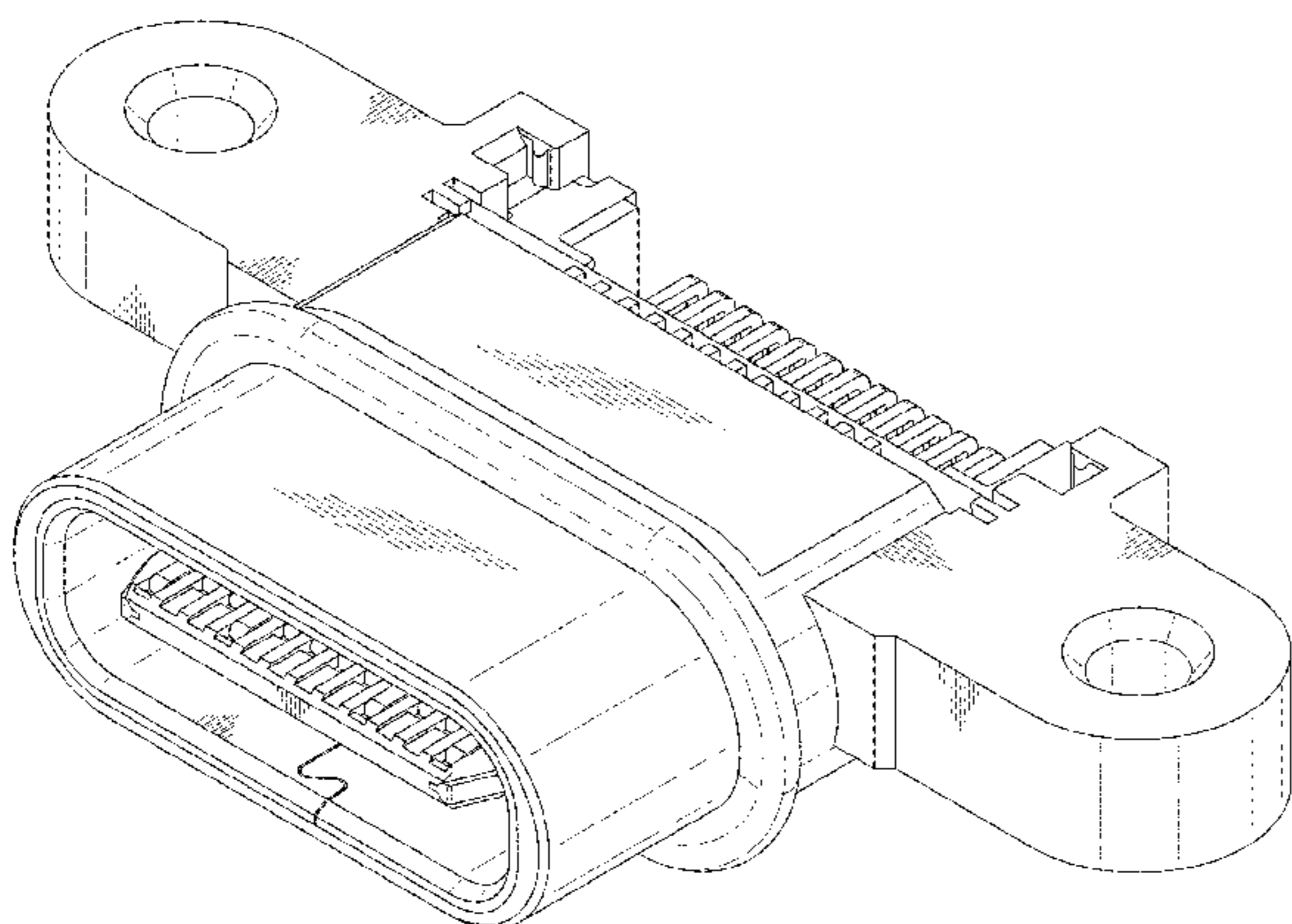
(57) **CLAIM**

The ornamental design for an electrical connector, as shown.

DESCRIPTION

FIG. 1 is a front elevational view of an electrical connector showing my new design;
FIG. 2 is a top plan view thereof;
FIG. 3 is a right side elevational view thereof;
FIG. 4 is a left side elevational view thereof;
FIG. 5 is a rear elevational view thereof; and
FIG. 6 is a bottom plan view thereof.
FIG. 7 is a front and top perspective view thereof;
FIG. 8 is a rear and top perspective view thereof;
FIG. 9 is a front and bottom perspective view thereof; and,
FIG. 10 is a rear and bottom perspective view thereof.

1 Claim, 10 Drawing Sheets



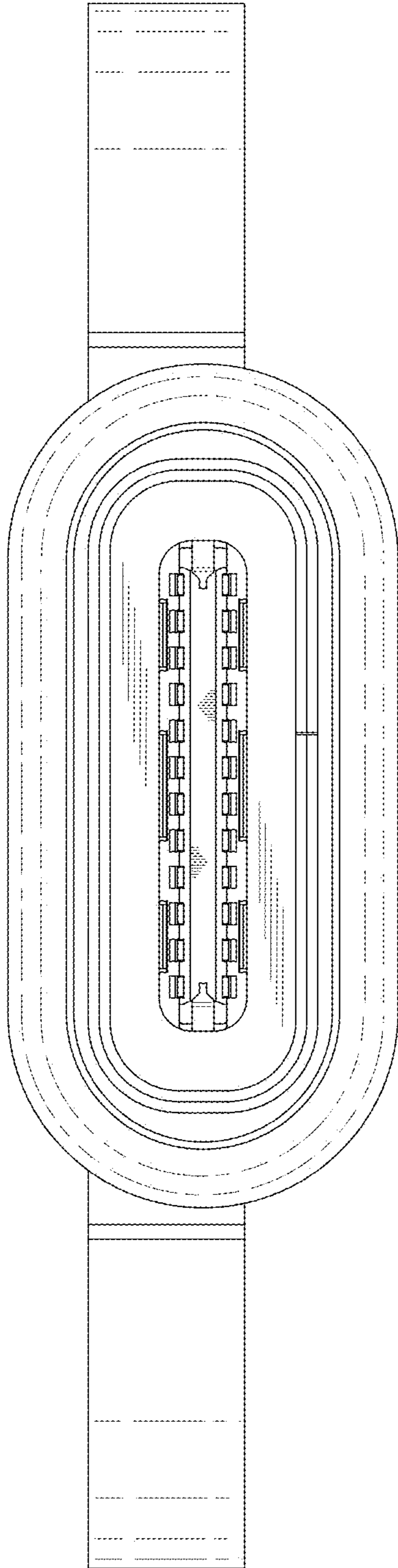


FIG.1

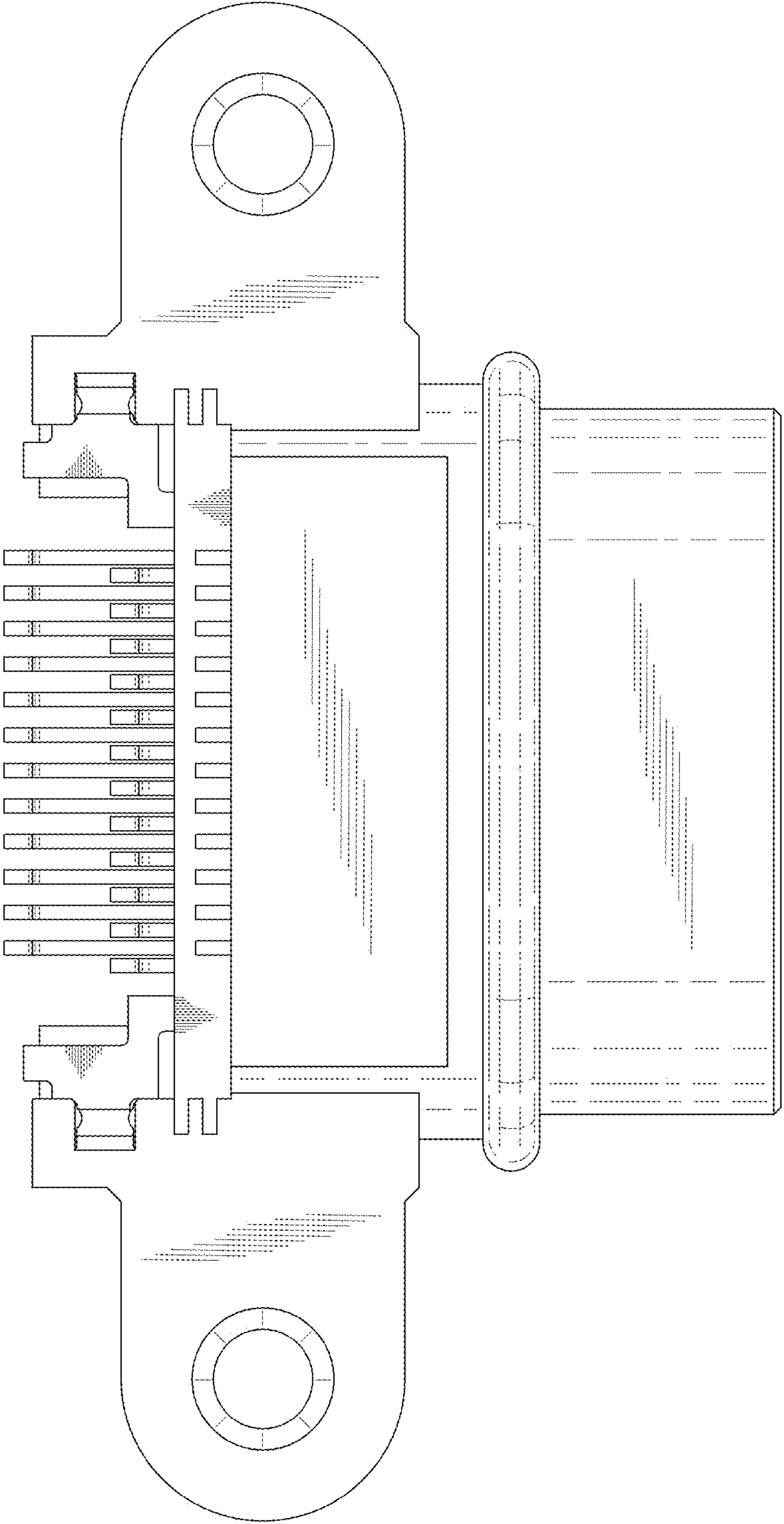


FIG.2

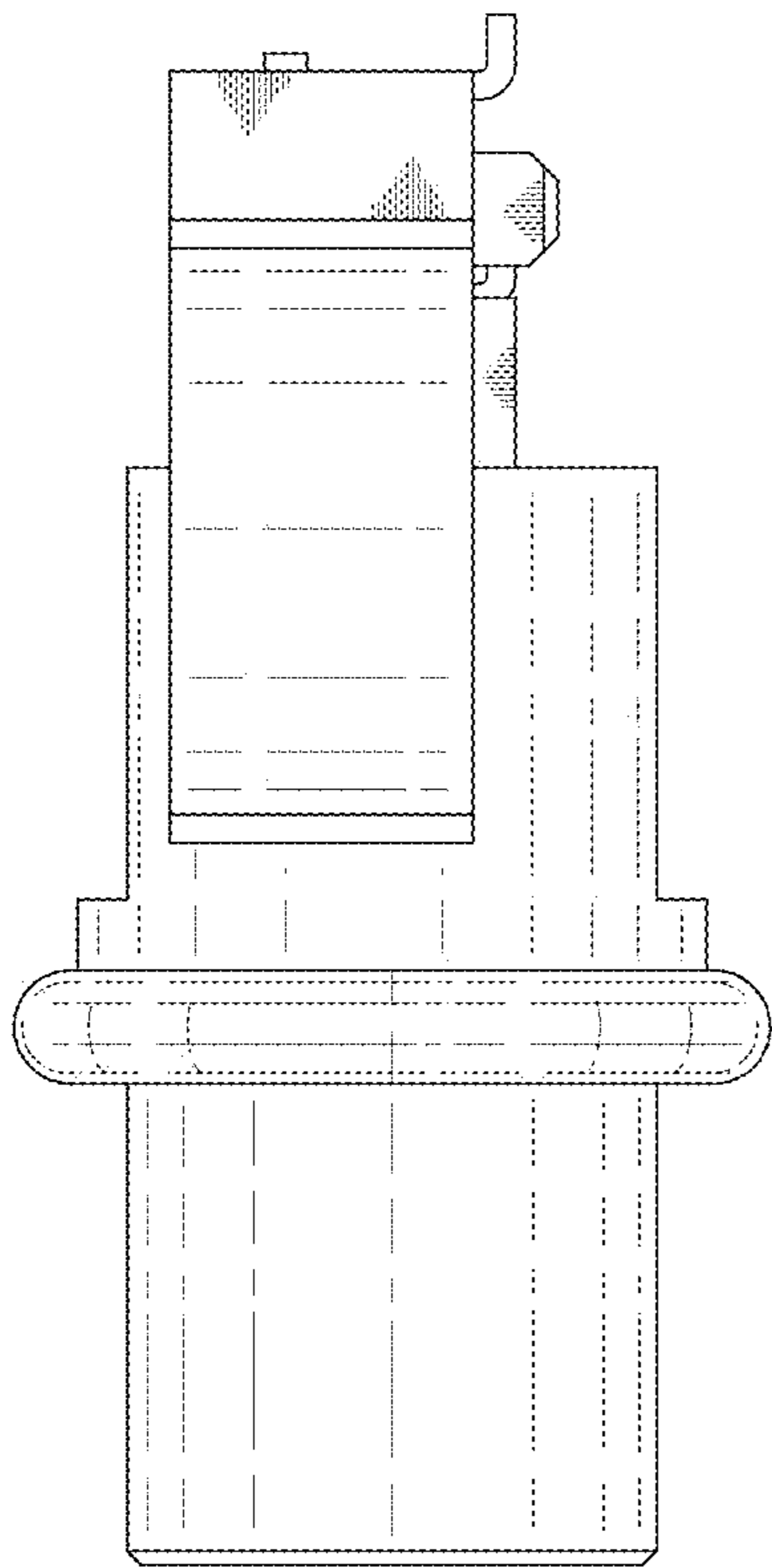


FIG.3

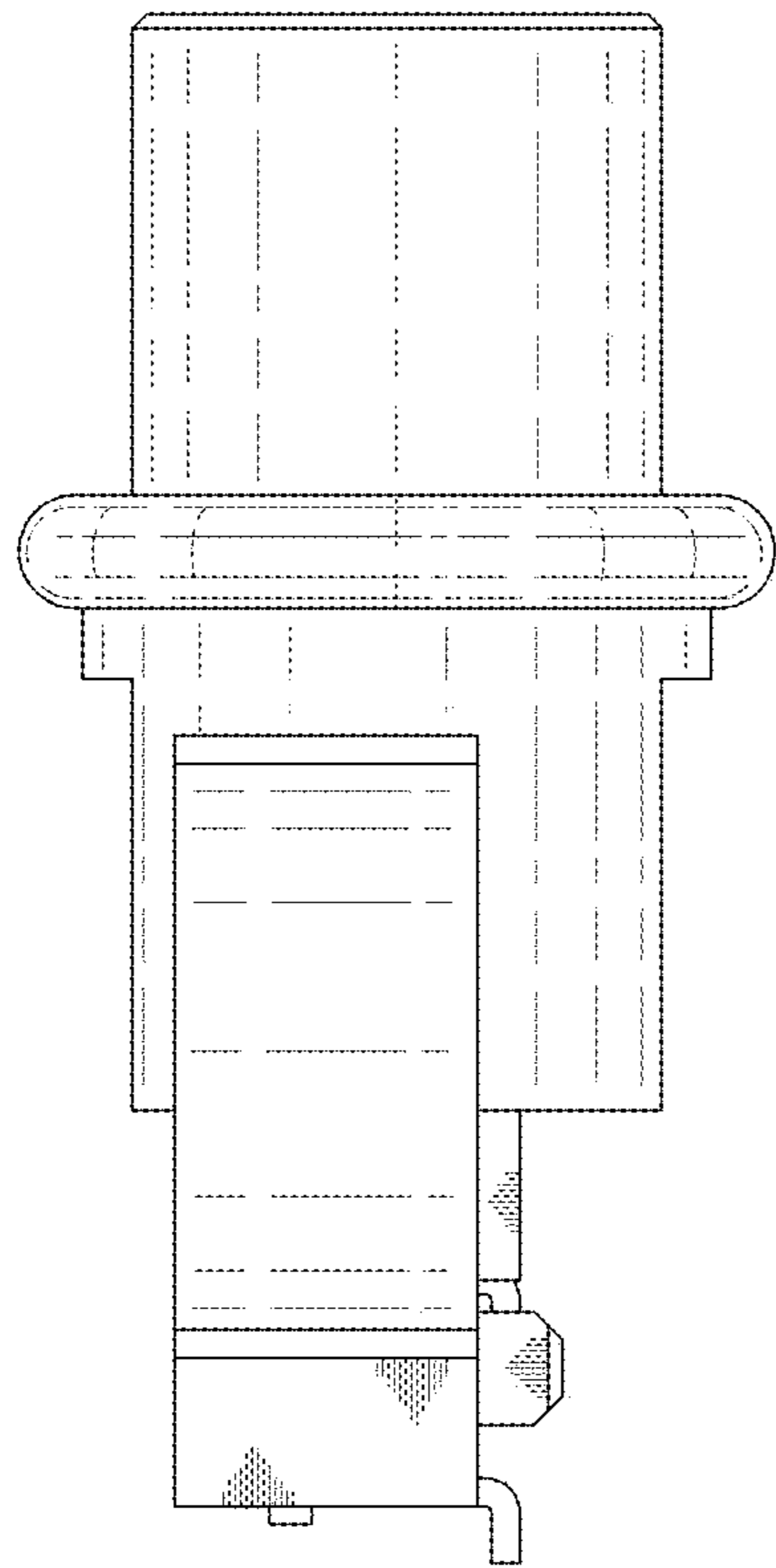


FIG.4

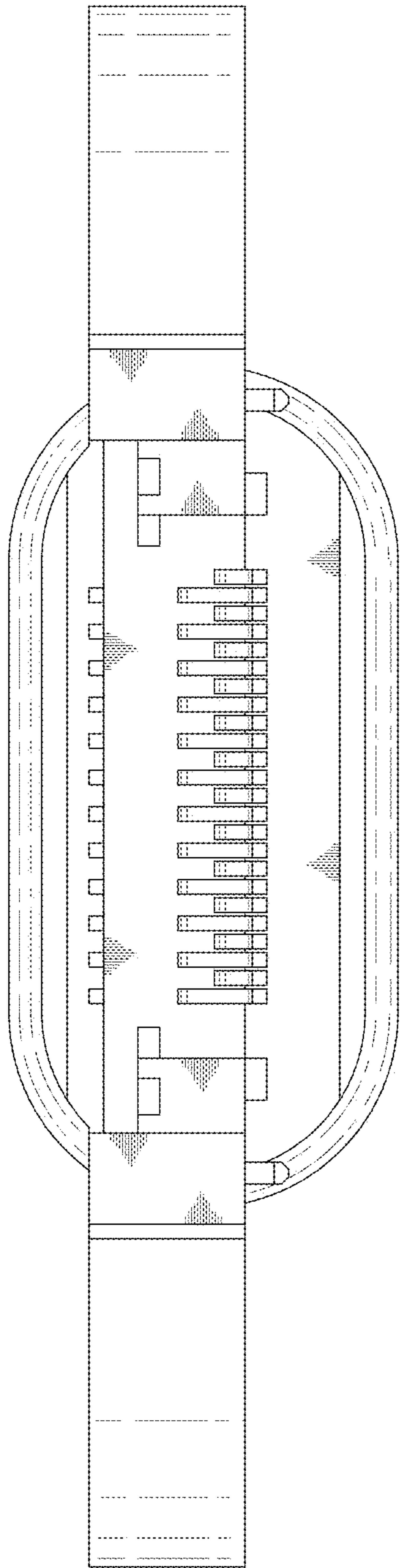


FIG.5

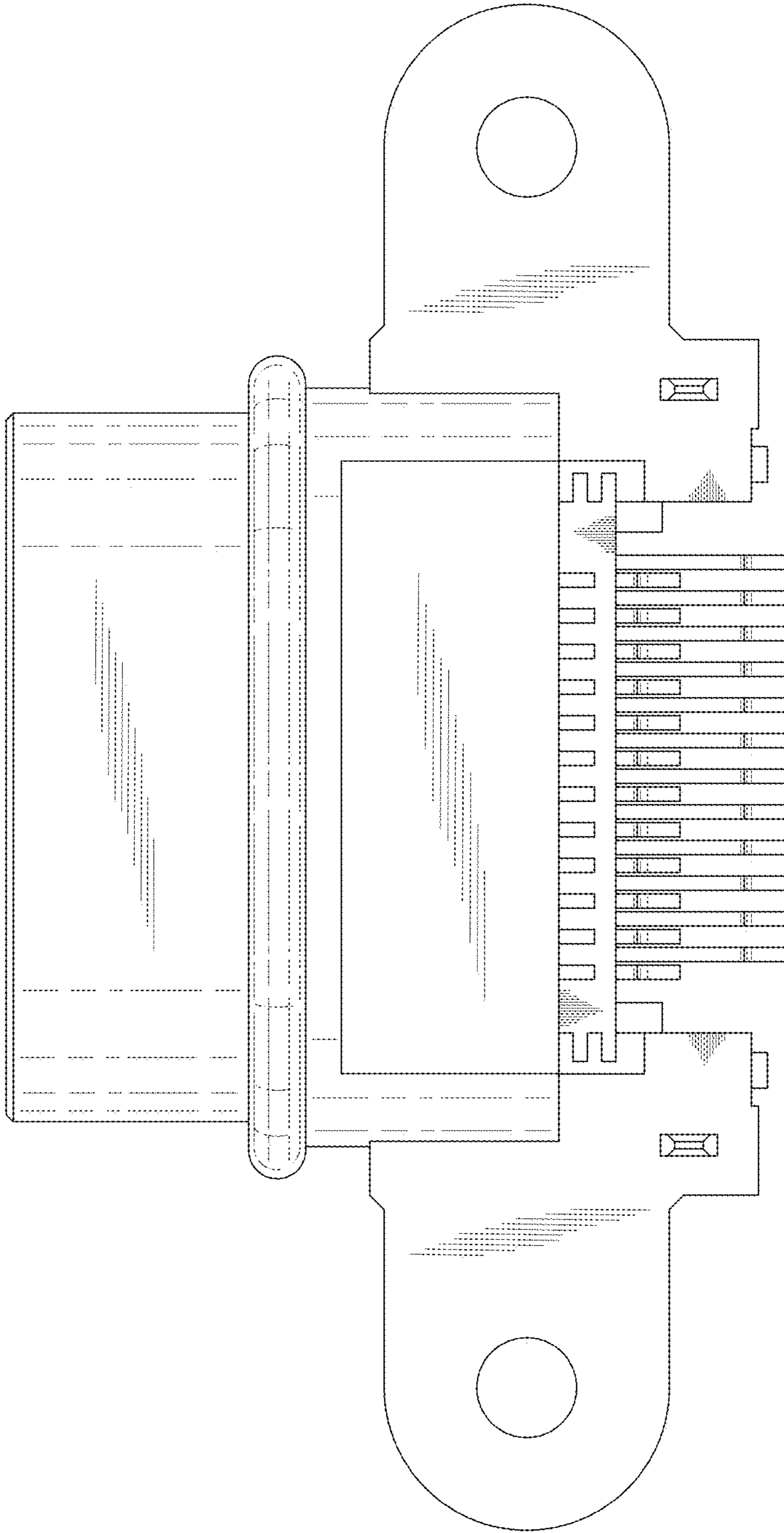


FIG.6

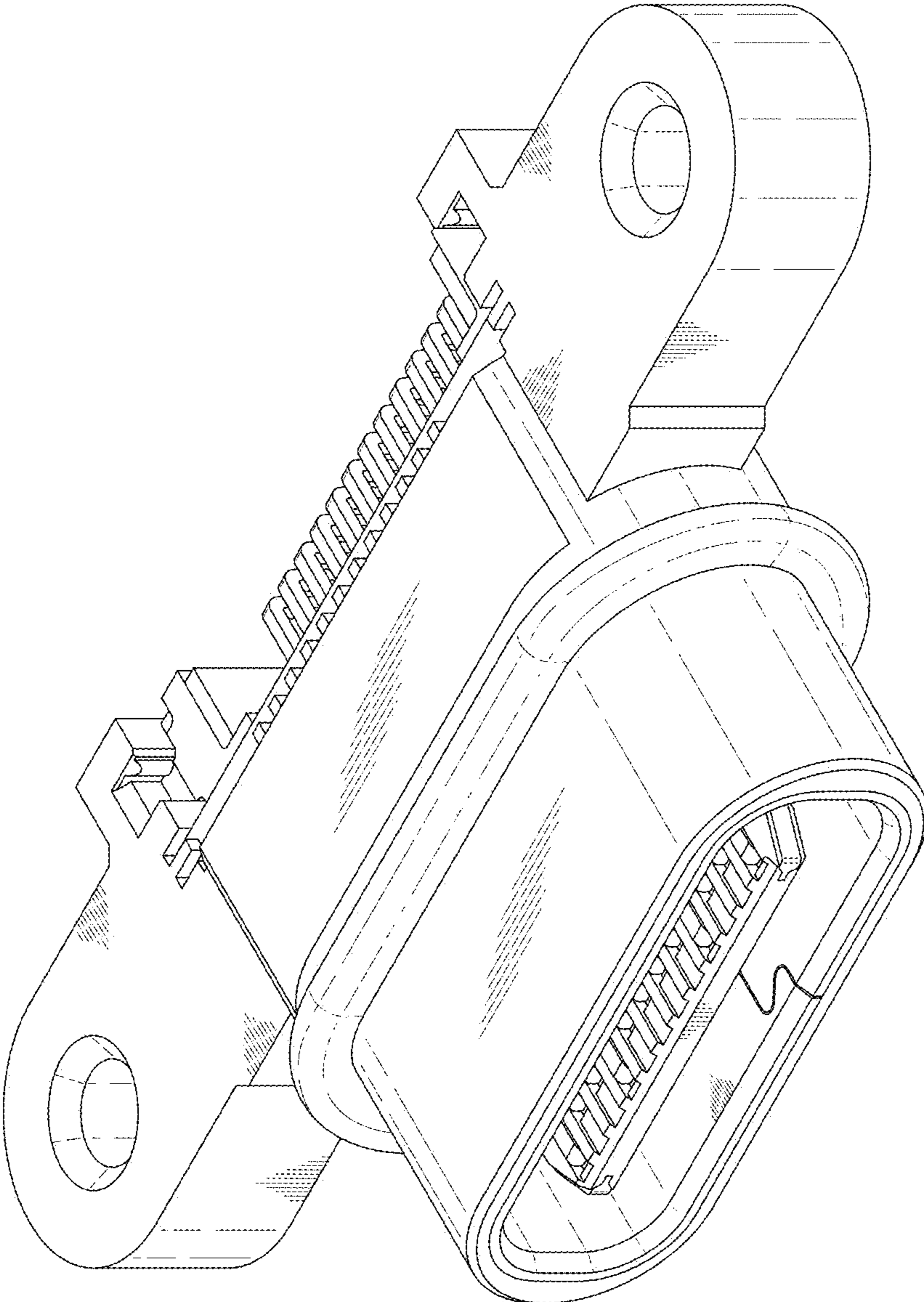


FIG.7

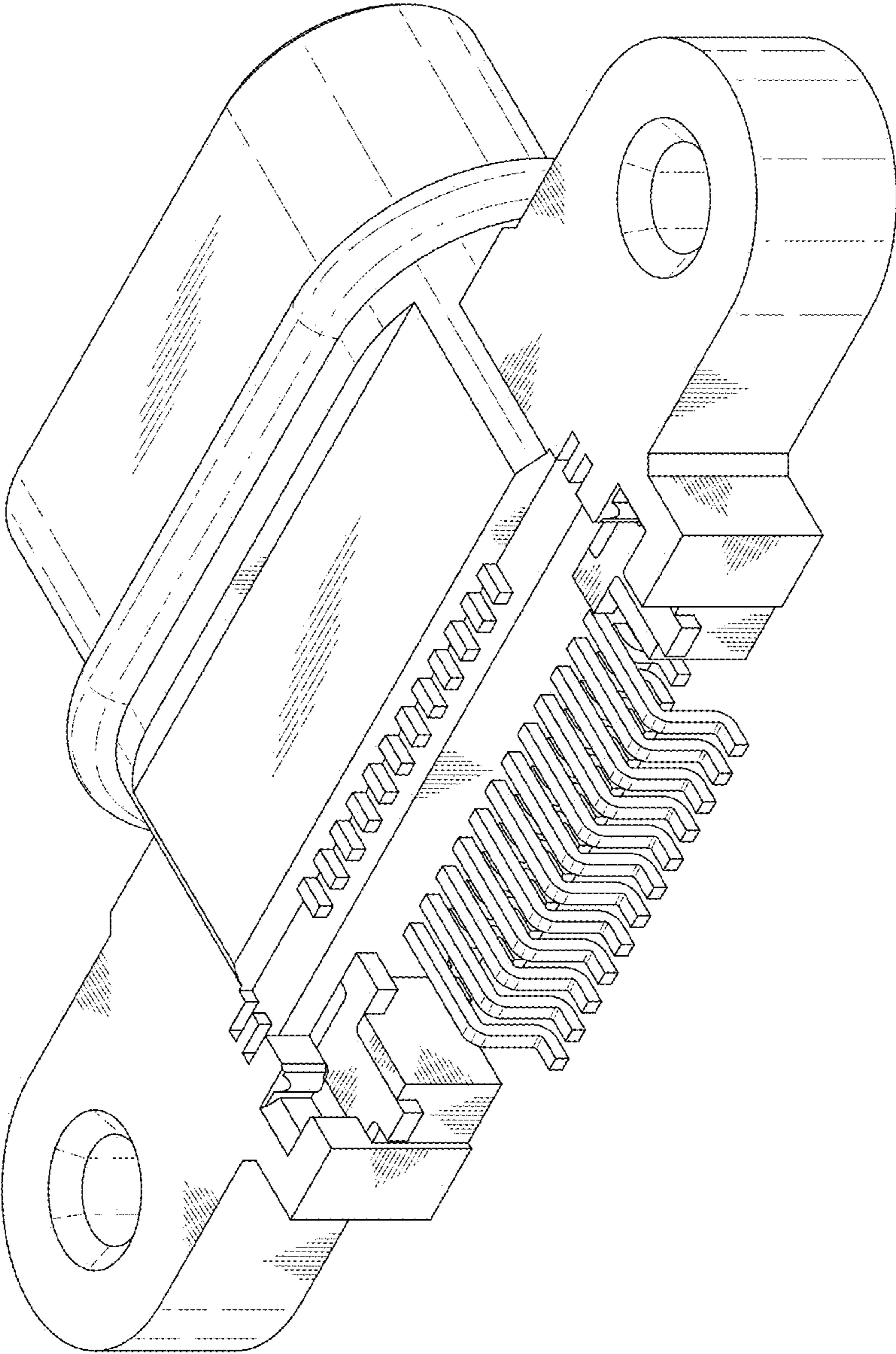


FIG.8

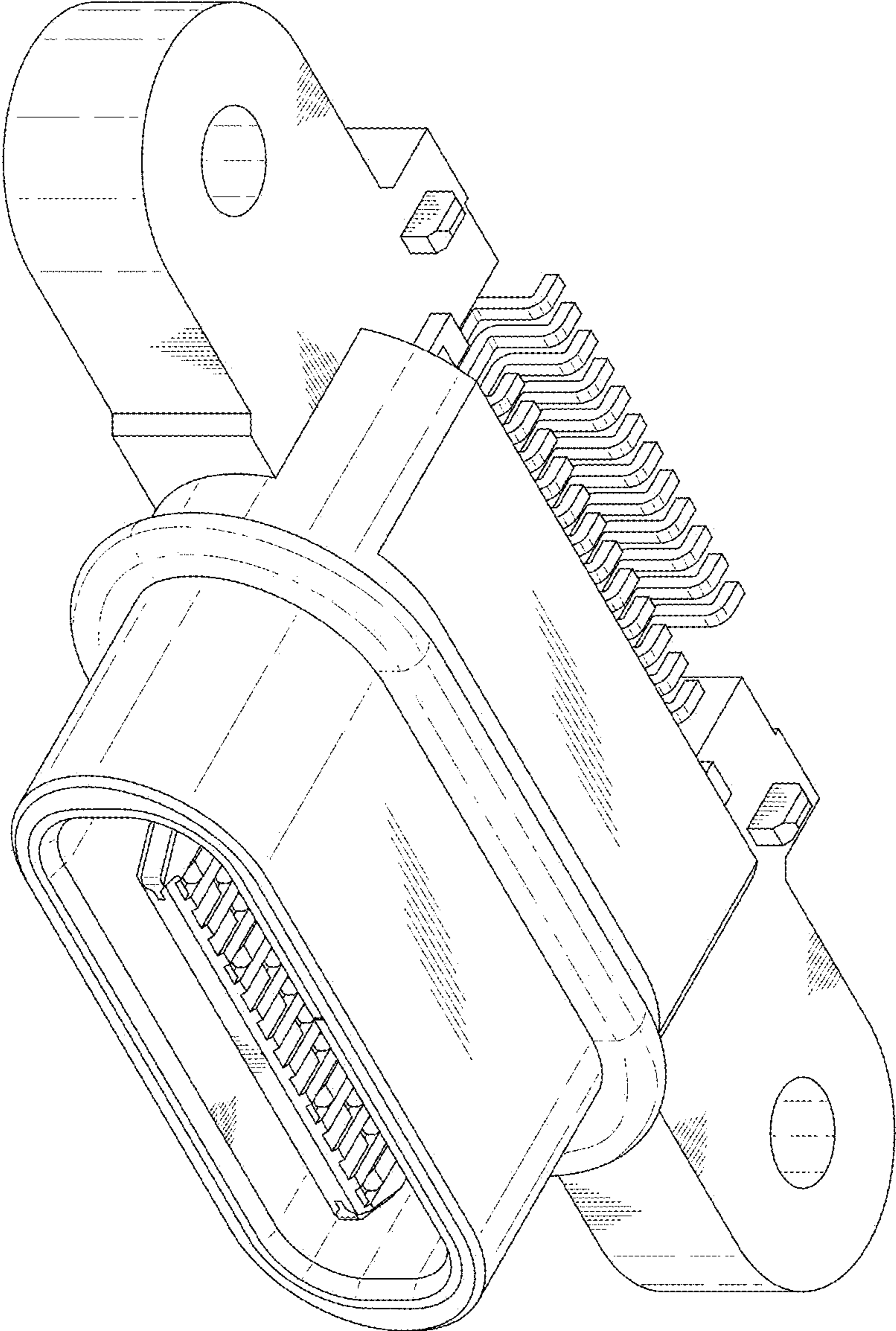


FIG.9

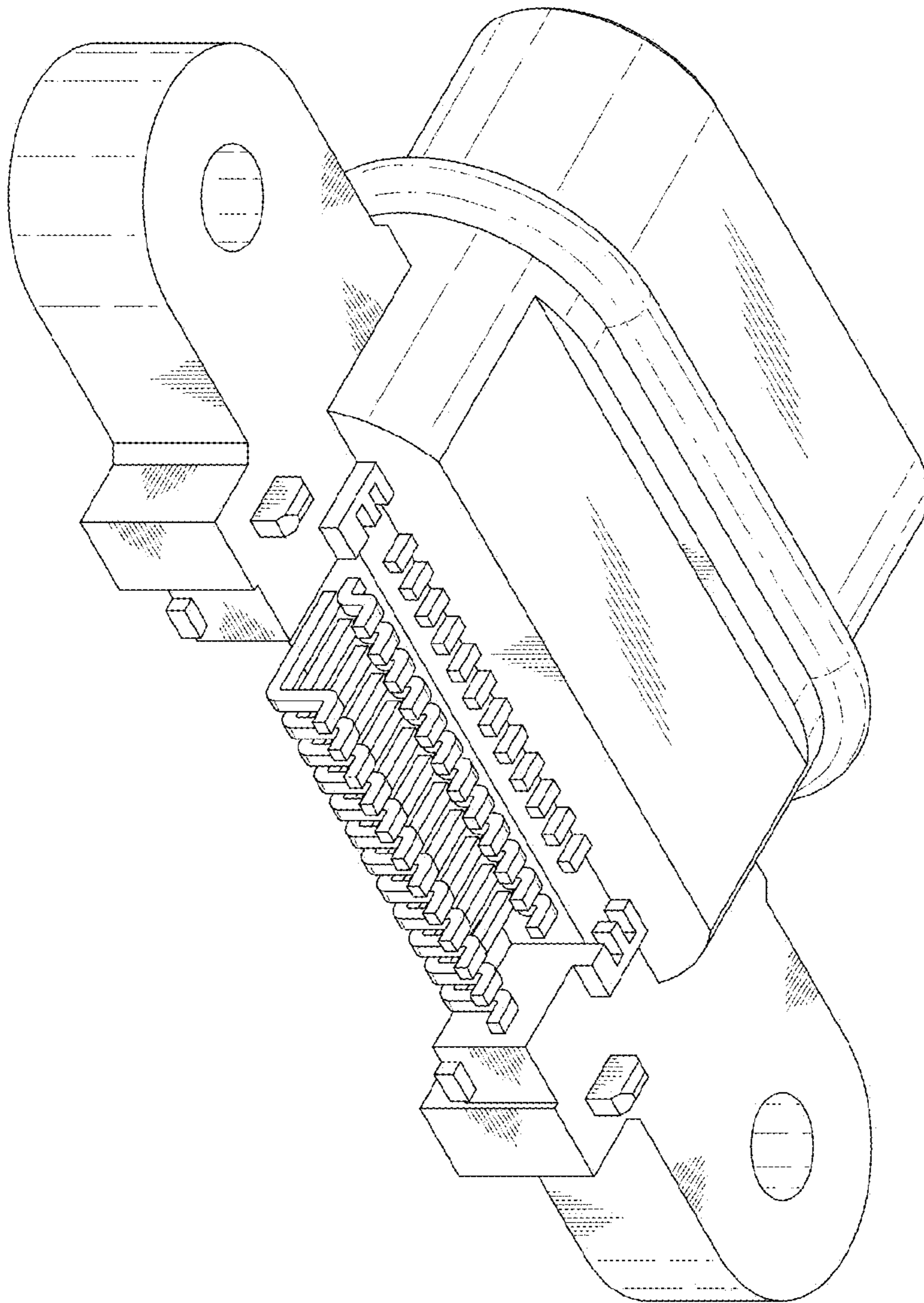


FIG.10