



US00D767492S

(12) **United States Design Patent Grant**

(10) **Patent No.:** **US D767,492 S**

(45) **Date of Patent:** **\*\* Sep. 27, 2016**

(54) **CONNECTOR**

(71) Applicant: **DEKA Products Limited Partnership**,  
Manchester, NH (US)

(72) Inventor: **Kevin L. Grant**, Litchfield, NH (US)

(73) Assignee: **DEKA Products Limited Partnership**,  
Manchester, NH (US)

(\*\*) Term: **14 Years**

(21) Appl. No.: **29/495,793**

(22) Filed: **Jul. 3, 2014**

(51) **LOC (10) Cl.** ..... **13-03**

(52) **U.S. Cl.**  
USPC ..... **D13/133**

(58) **Field of Classification Search**  
USPC ..... D13/101, 103, 110, 118, 122, 123, 133,  
D13/154, 155, 184, 199  
CPC ..... H01R 12/7005; H01R 13/422; H01R  
13/428; H01R 13/434; H01R 13/639; H01R  
23/7005

See application file for complete search history.

(56) **References Cited**

**U.S. PATENT DOCUMENTS**

D462,659 S \* 9/2002 Goto ..... D13/133

D470,820 S \* 2/2003 Goto ..... D13/133

\* cited by examiner

*Primary Examiner* — Thomas Johannes

*Assistant Examiner* — Shawn T Gingrich

(74) *Attorney, Agent, or Firm* — Michelle Saquet Temple

(57) **CLAIM**

The ornamental design for a connector, as shown and described.

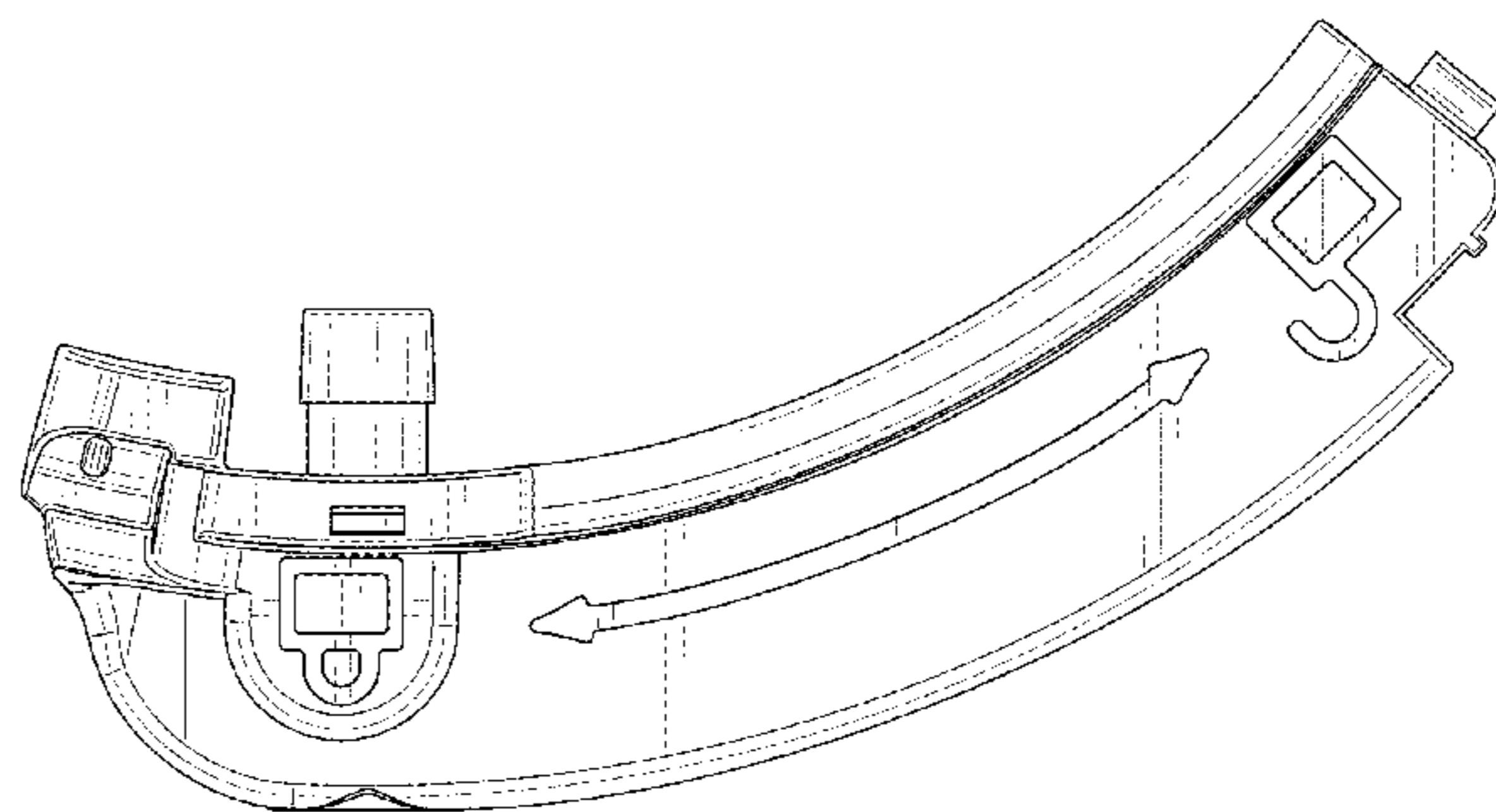
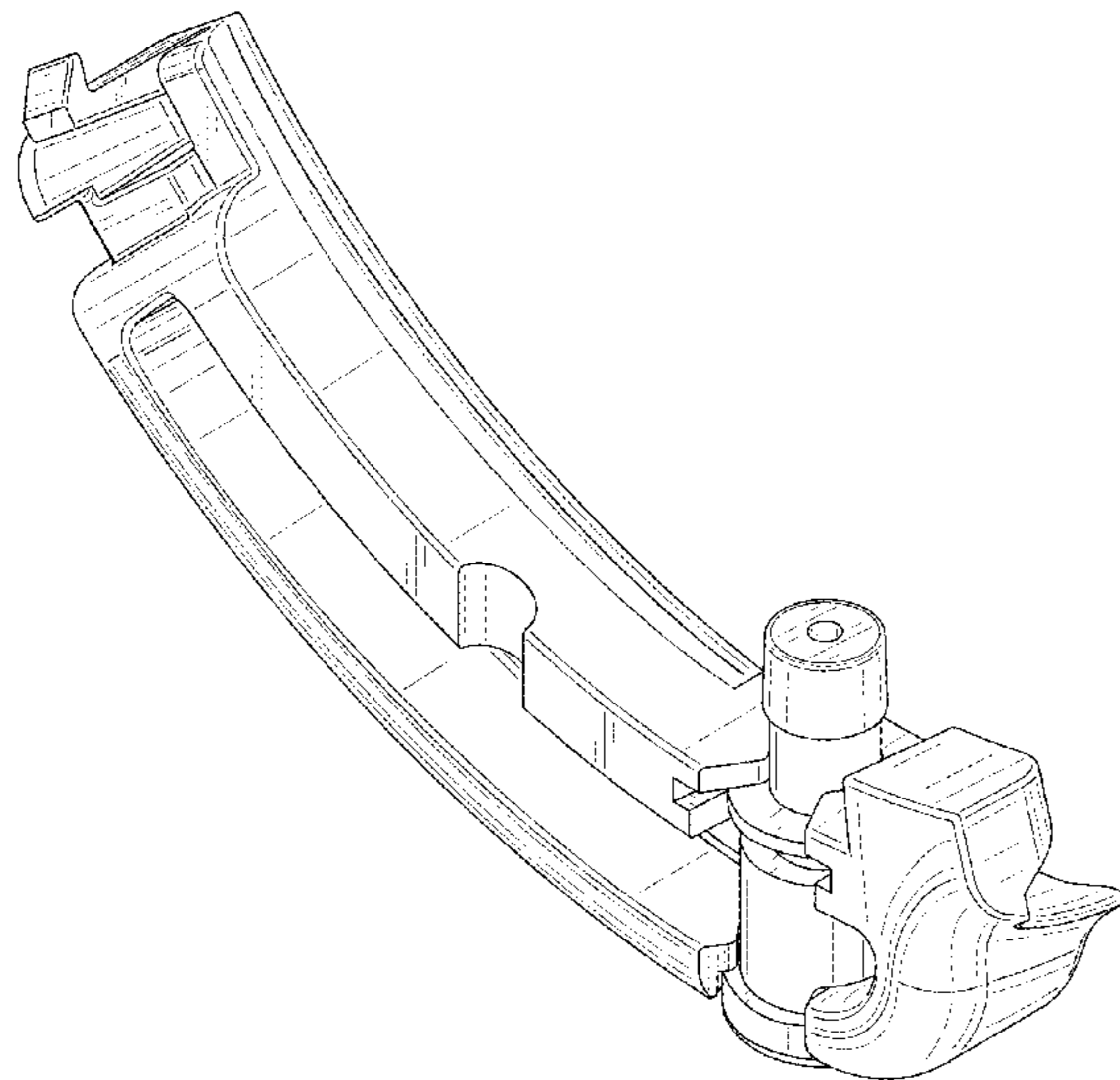
**DESCRIPTION**

FIG. 1 is a top-front perspective view of a connector showing the claimed design;  
FIG. 2 is a bottom view thereof;  
FIG. 3 is a top view thereof;  
FIG. 4 is a right side view thereof;  
FIG. 5 is a left side view thereof;  
FIG. 6 is a front view thereof; and,  
FIG. 7 is a rear view thereof.

The broken line portion of the figure drawings is included to show portions of the article that form no part of the claimed design.

The shade lines in the figures show contour and not surface ornamentation.

**1 Claim, 7 Drawing Sheets**



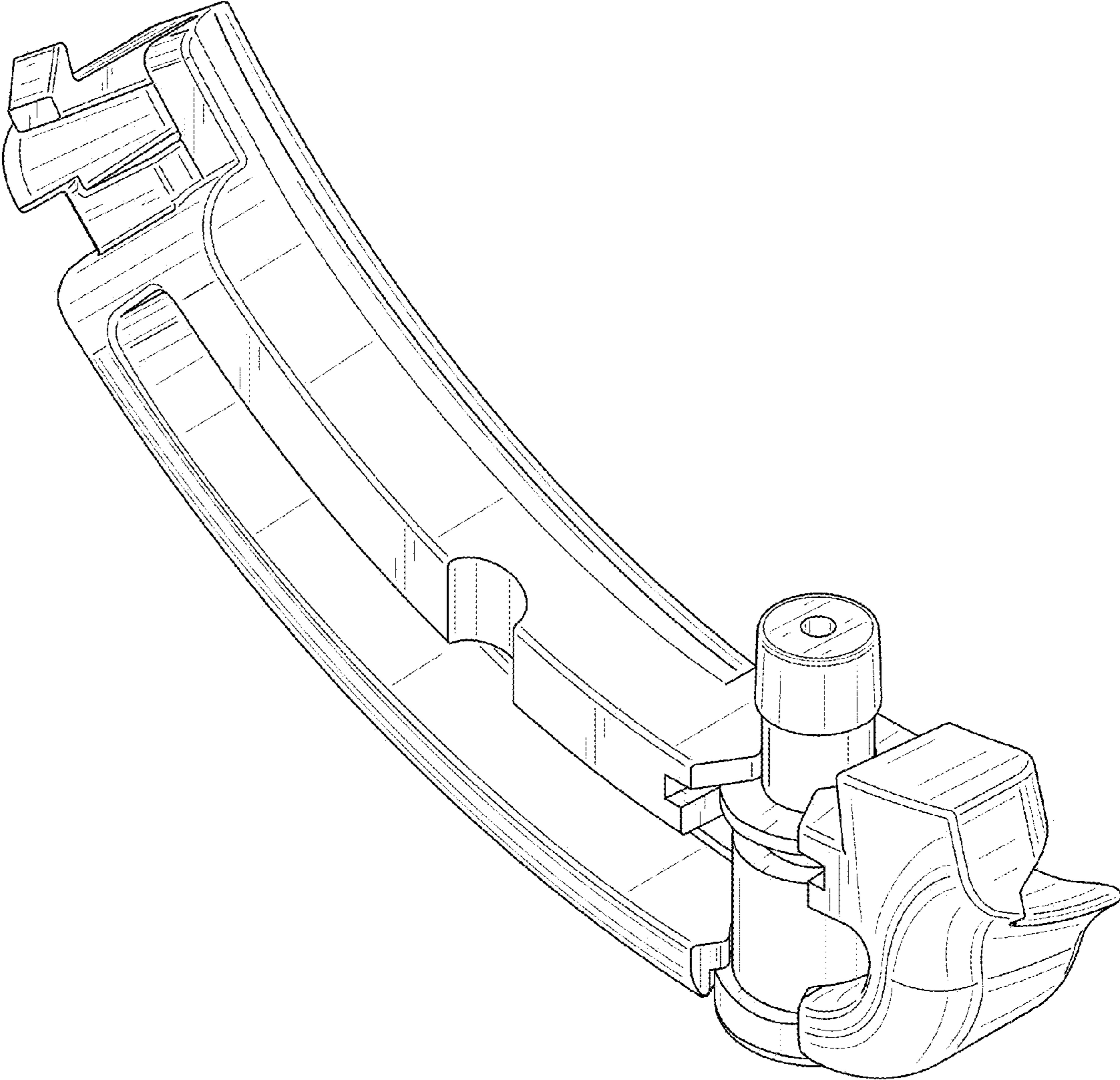


FIG. 1

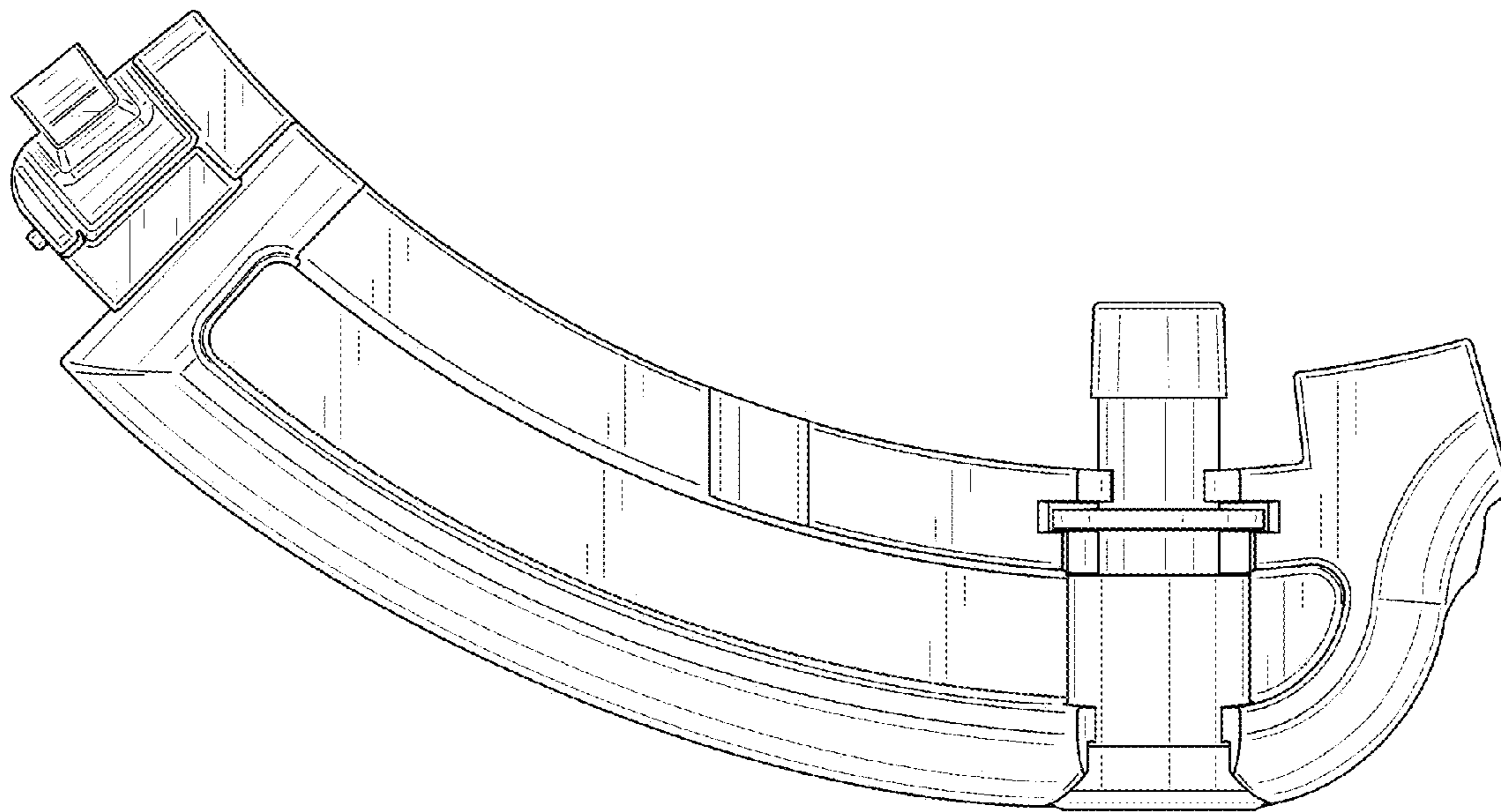


FIG. 2

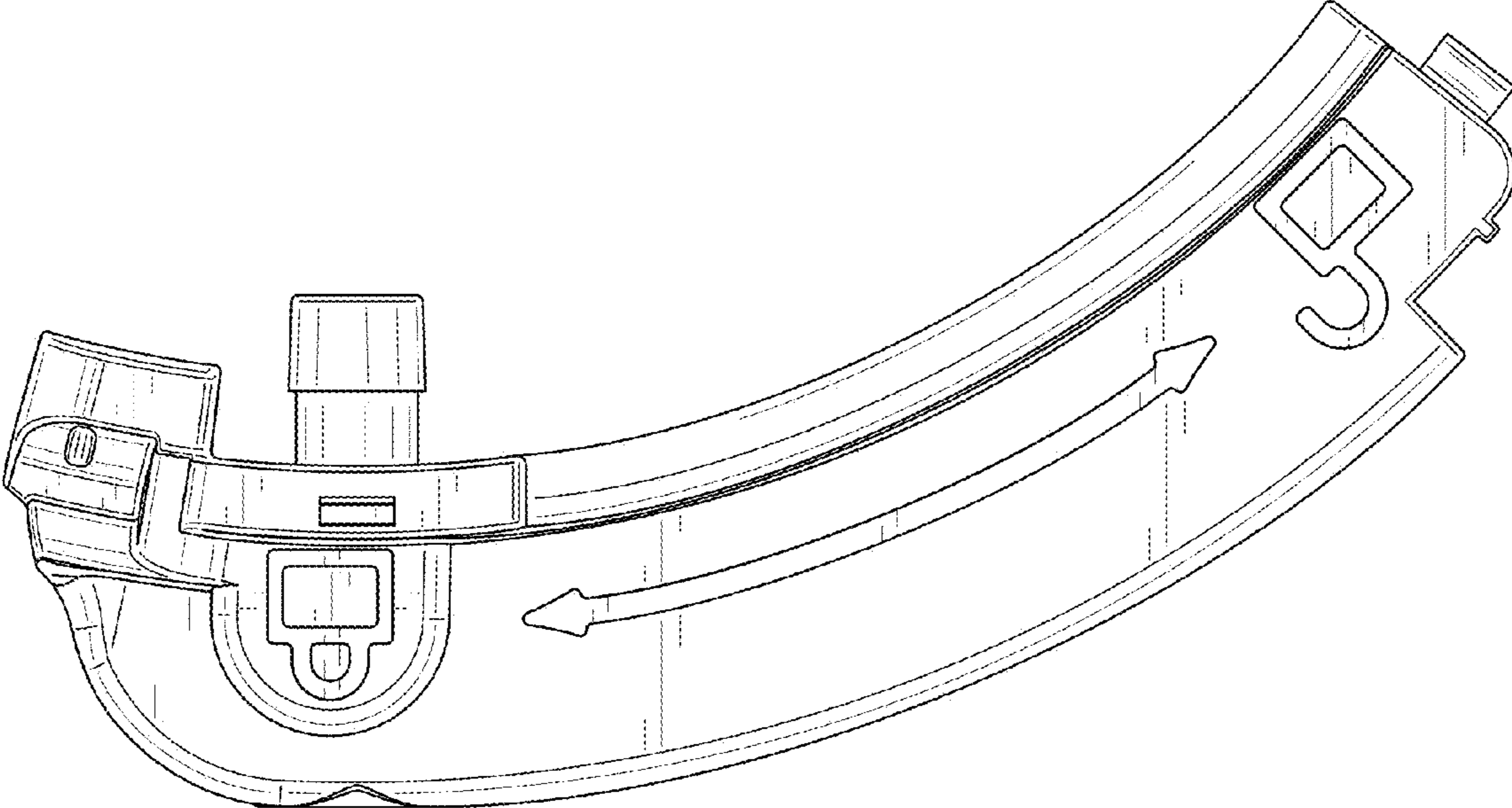


FIG. 3

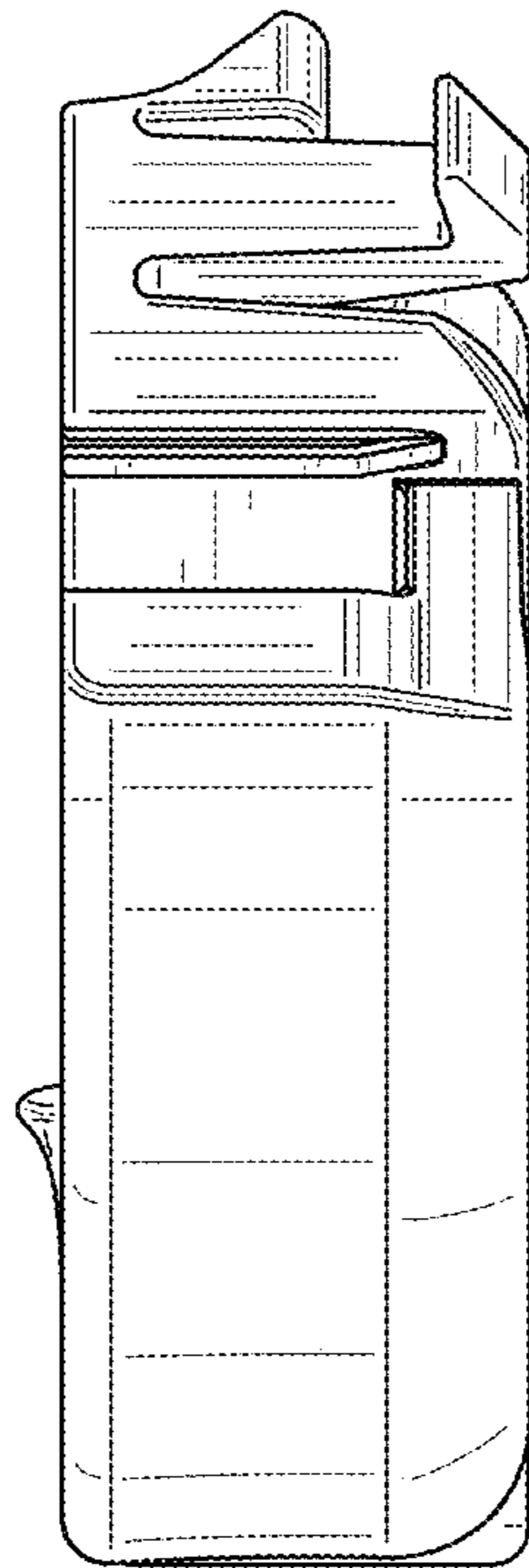


FIG. 4



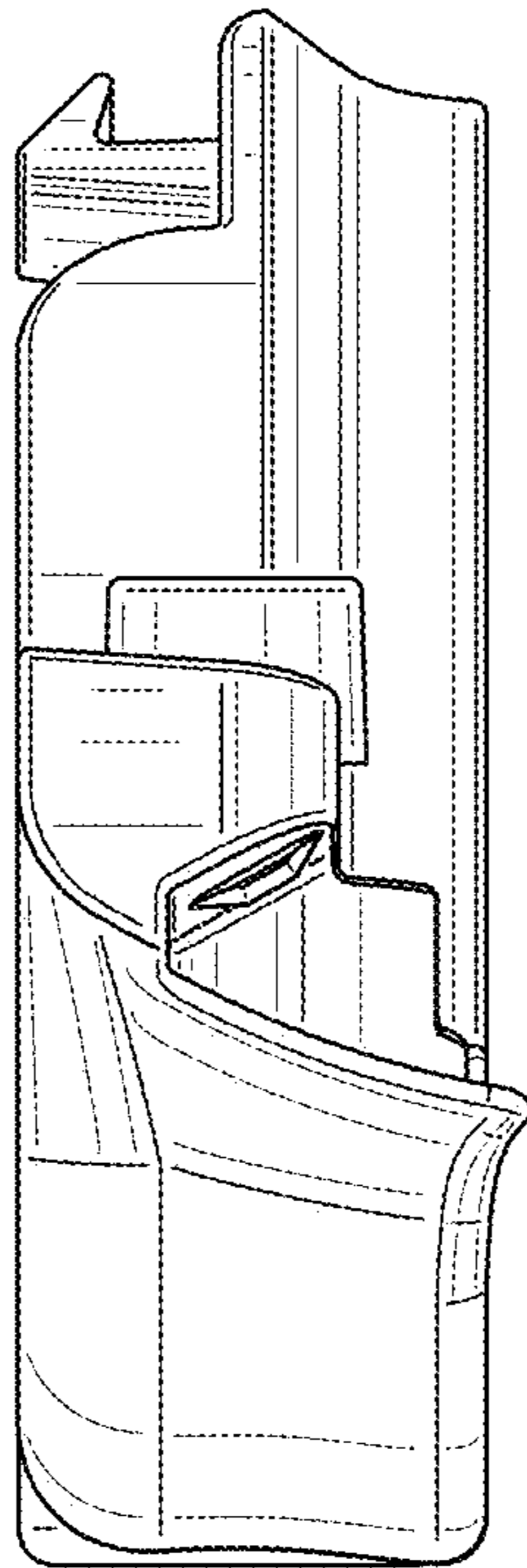


FIG. 5

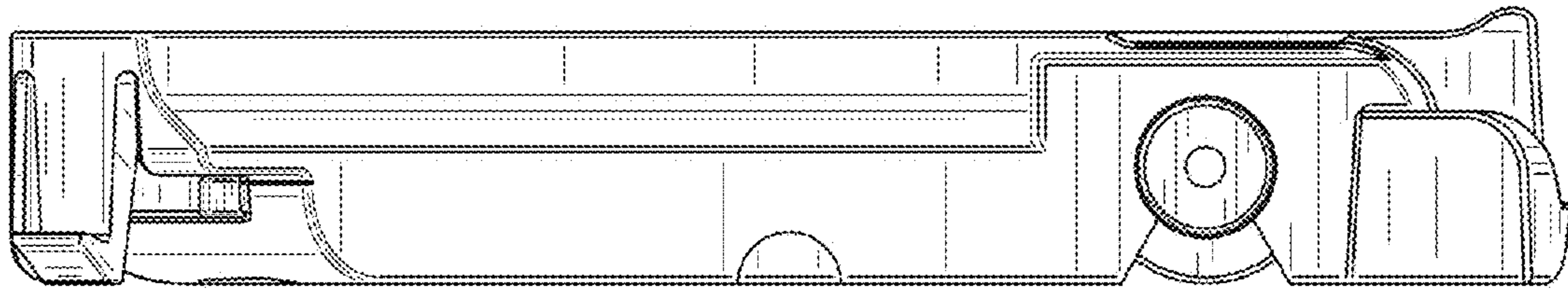


FIG. 6

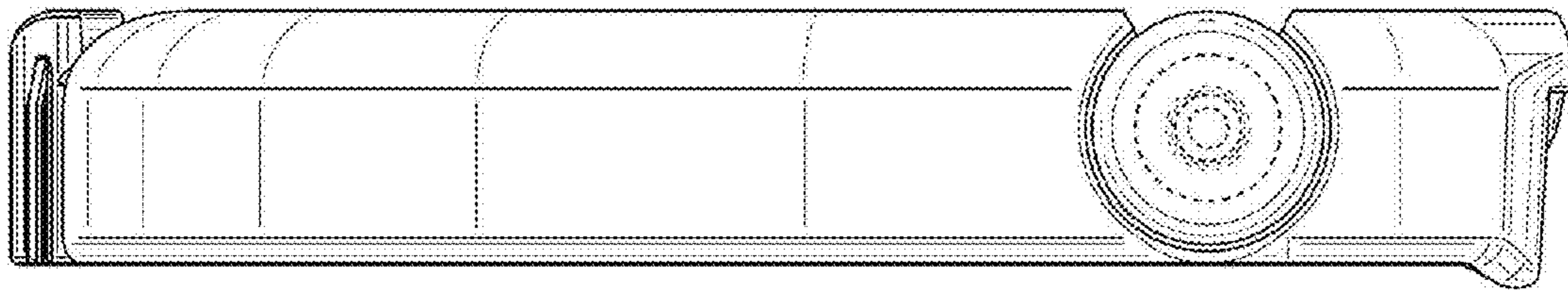


FIG. 7