



US00D767488S

(12) **United States Design Patent** (10) **Patent No.:** **US D767,488 S**
Esses (45) **Date of Patent:** **** Sep. 27, 2016**

(54) **CHARGING DEVICE**
(71) Applicant: **Premier Accessory Group LLC**,
Edison, NJ (US)
(72) Inventor: **Alfred Esses**, Brooklyn, NY (US)
(73) Assignee: **PREMIER ACCESSORY GROUP LLC**, Edison, NJ (US)

D368,328 S * 3/1996 Wacker D28/85
D409,568 S * 5/1999 Lindahl
D471,324 S * 3/2003 Kalin D28/77
D501,279 S * 1/2005 Dittmer D28/85
D595,223 S * 6/2009 Yamamoto D13/108
D632,653 S * 2/2011 Wikel D13/144
D644,108 S * 8/2011 Vila Calvo D9/529
D653,614 S * 2/2012 Au D13/108
D654,875 S 2/2012 Au
8,148,940 B2 4/2012 Liu

(Continued)

(**) Term: **15 Years**
(21) Appl. No.: **29/564,146**
(22) Filed: **May 11, 2016**

FOREIGN PATENT DOCUMENTS

DK 199700574 S 7/1997
EM 002450403-0002 S 6/2014

(Continued)

Related U.S. Application Data

(63) Continuation-in-part of application No. 29/551,614,
filed on Jan. 14, 2016.

(51) **LOC (10) Cl.** **13-02**
(52) **U.S. Cl.**
USPC **D13/107**

(58) **Field of Classification Search**
USPC D13/107-110, 118-119, 133, 144, 184;
D14/155, 251, 253, 432, 434; D28/85
CPC Y02E 60/12; Y02T 90/14; Y02T 90/122;
Y02T 90/128; Y02T 90/163; H02J 7/025;
H02J 7/0042; H02J 7/0044; H02J 7/0045;
H02J 7/0003; H02J 7/0054; H02J 7/0055;
H02J 7/0057; H01F 38/14; H01R 13/6675;
H01R 13/70; H01R 13/71; H01R 13/66;
H01R 2201/26; H01M 2/1022; H01M
2/1055; H01M 10/44; H01M 10/46; H01M
10/425; B60L 11/182; H05K 11/02
See application file for complete search history.

Primary Examiner — Rosemary K Tarcza
Assistant Examiner — Nathaniel D Buckner
(74) *Attorney, Agent, or Firm* — Gottlieb, Rackman &
Reisman, P.C.

(57) **CLAIM**

The ornamental design for a charging device, as shown and
described.

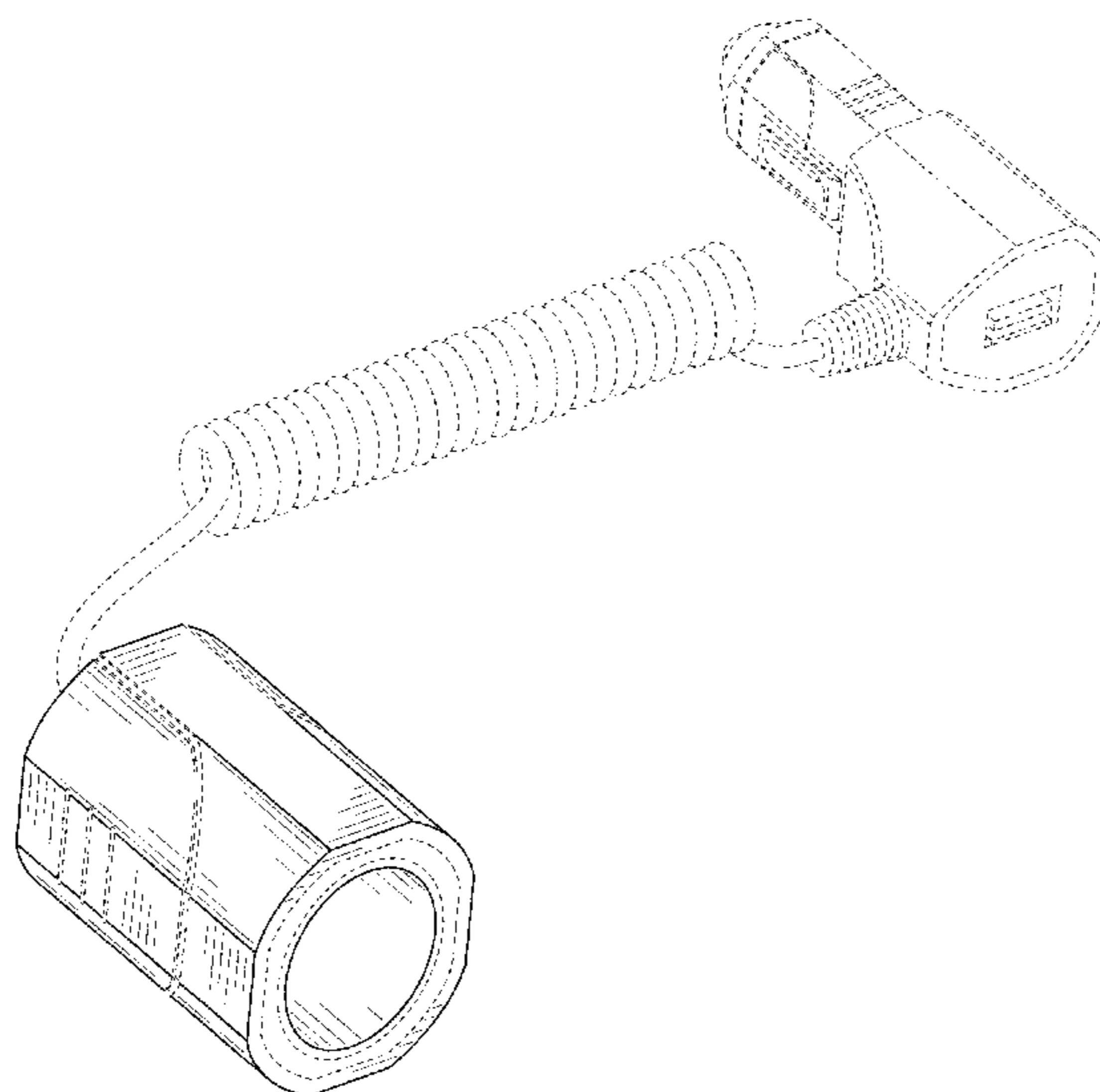
DESCRIPTION

FIG. 1 is a first perspective view of a charging device
showing my new design;
FIG. 2 is a front view thereof;
FIG. 3 is a rear view thereof;
FIG. 4 is a first side view thereof;
FIG. 5 is a second side view thereof;
FIG. 6 is a top view thereof;
FIG. 7 is a bottom view thereof; and,
FIG. 8 is a second perspective view thereof.
The broken lines shown in the drawings are included for the
purpose of illustrating portions of the article that form no
part of the claimed design.

(56) **References Cited**
U.S. PATENT DOCUMENTS

D262,152 S * 12/1981 Holloway D28/85
D303,302 S * 9/1989 McCready D28/85

1 Claim, 6 Drawing Sheets



(56)

References Cited

U.S. PATENT DOCUMENTS

D673,909 S * 1/2013 Zaslavsky D13/110
D678,191 S * 3/2013 Fitch D13/108
D704,639 S 5/2014 Alesi et al.
D713,405 S * 9/2014 Akana D14/349
D716,729 S * 11/2014 Kelly D13/110
D734,259 S * 7/2015 Cypress D13/110
D734,550 S * 7/2015 Schlatter D28/83
D738,302 S * 9/2015 Jeong D13/108
D740,751 S * 10/2015 Akana D13/110

D741,254 S * 10/2015 Kelly D13/101
D747,544 S * 1/2016 Taha D27/163
D749,506 S * 2/2016 Morgan D13/108
2002/0119708 A1 8/2002 Eisenbraun
2012/0081067 A1 4/2012 Burrell, IV

FOREIGN PATENT DOCUMENTS

GB 2060913 S 3/1997
KR 3003993050000 S 11/2005

* cited by examiner

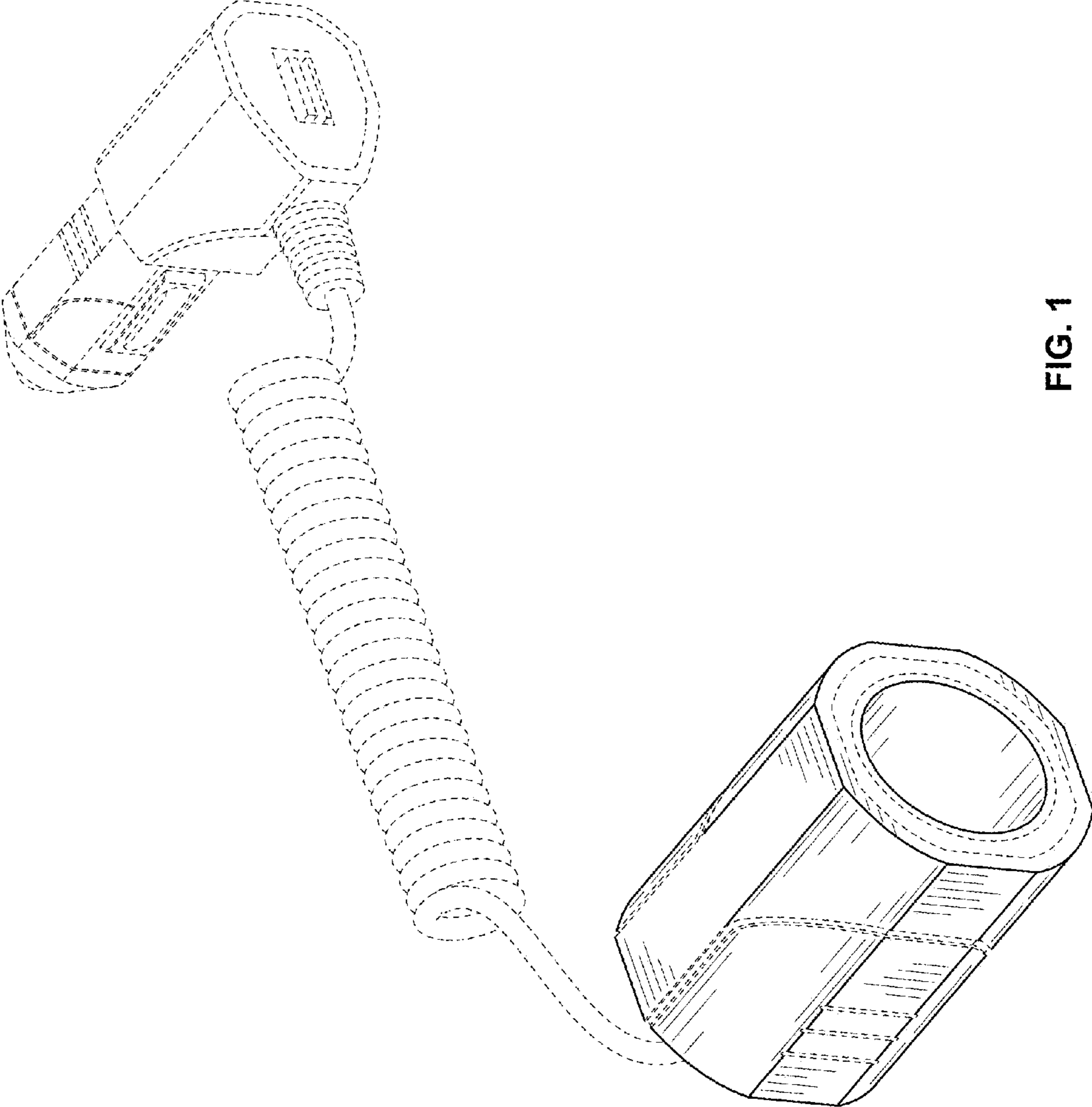


FIG. 1

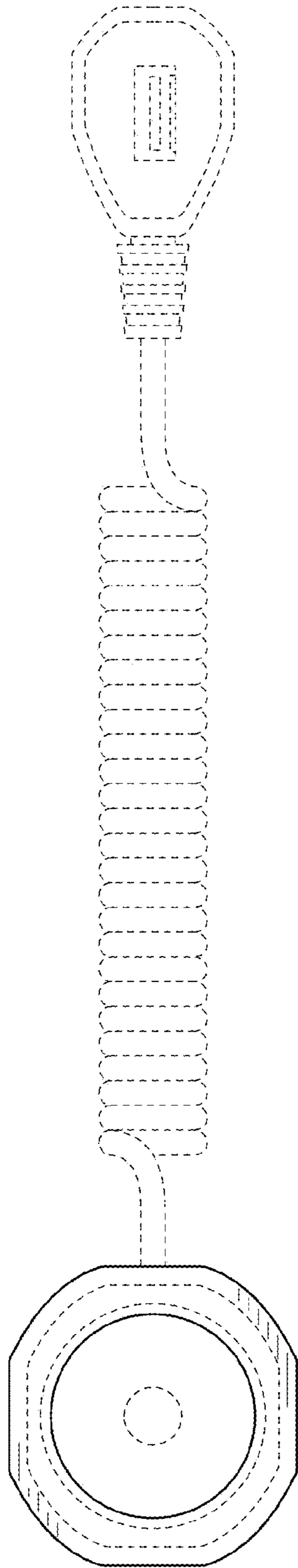


FIG. 2

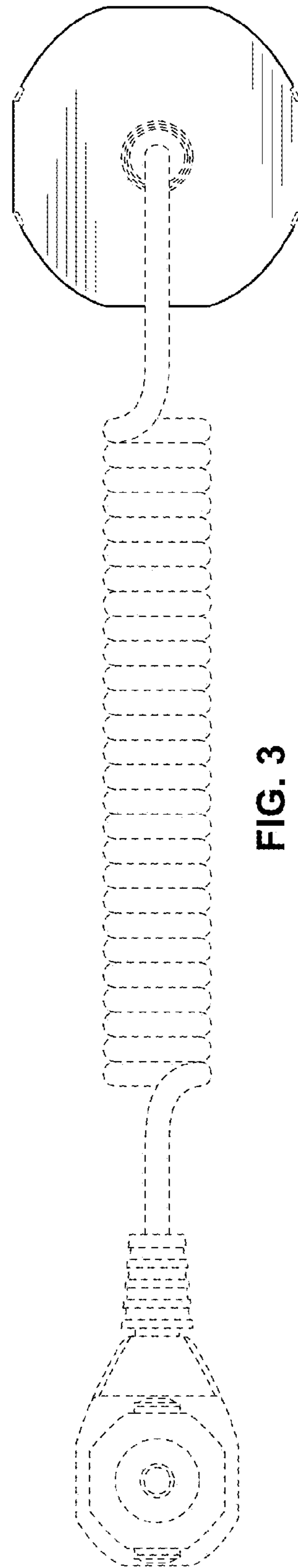


FIG. 3

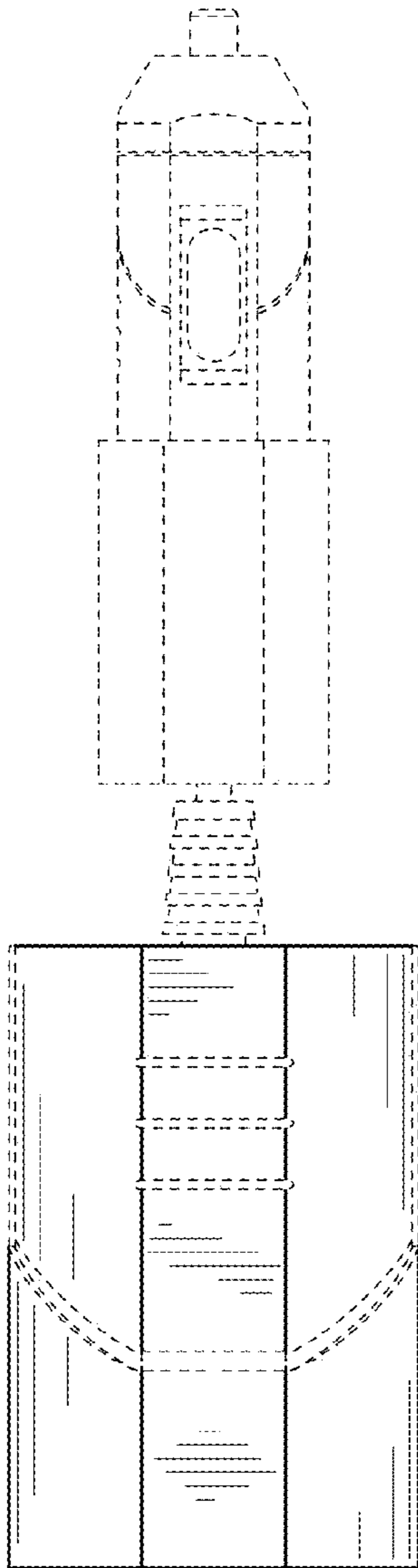


FIG. 4

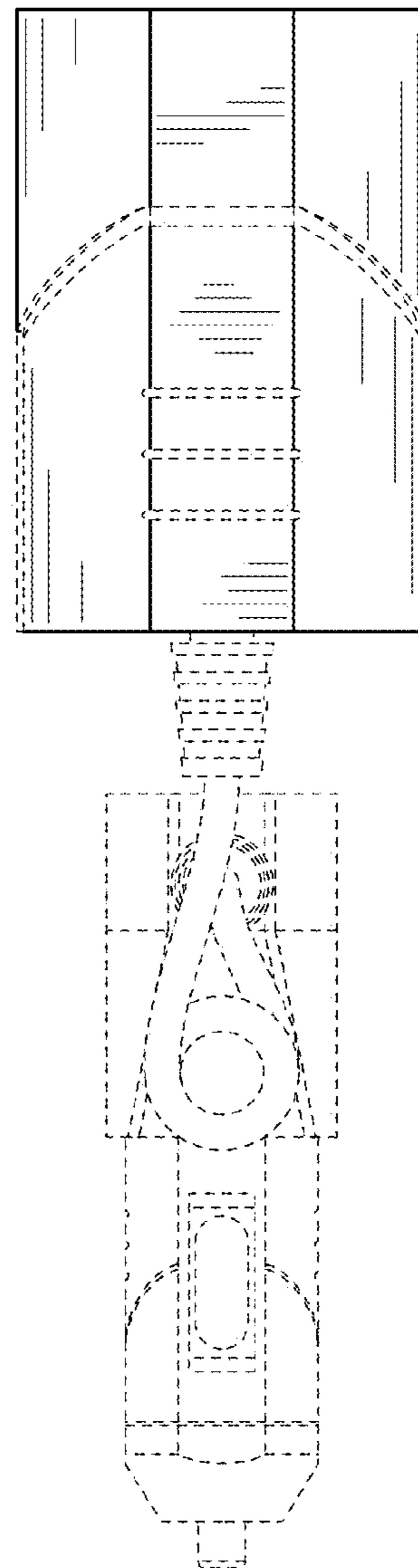


FIG. 5

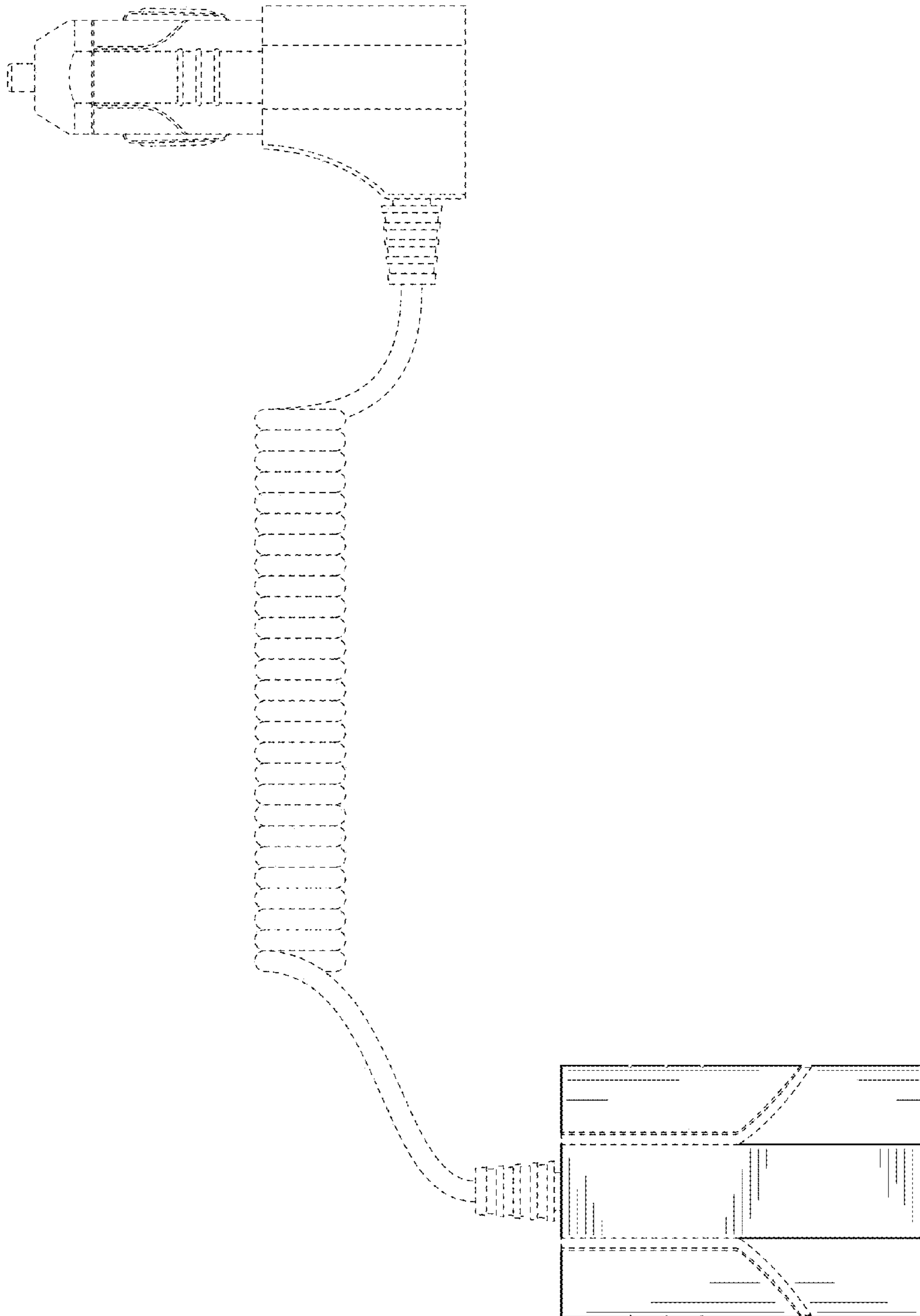


FIG. 6

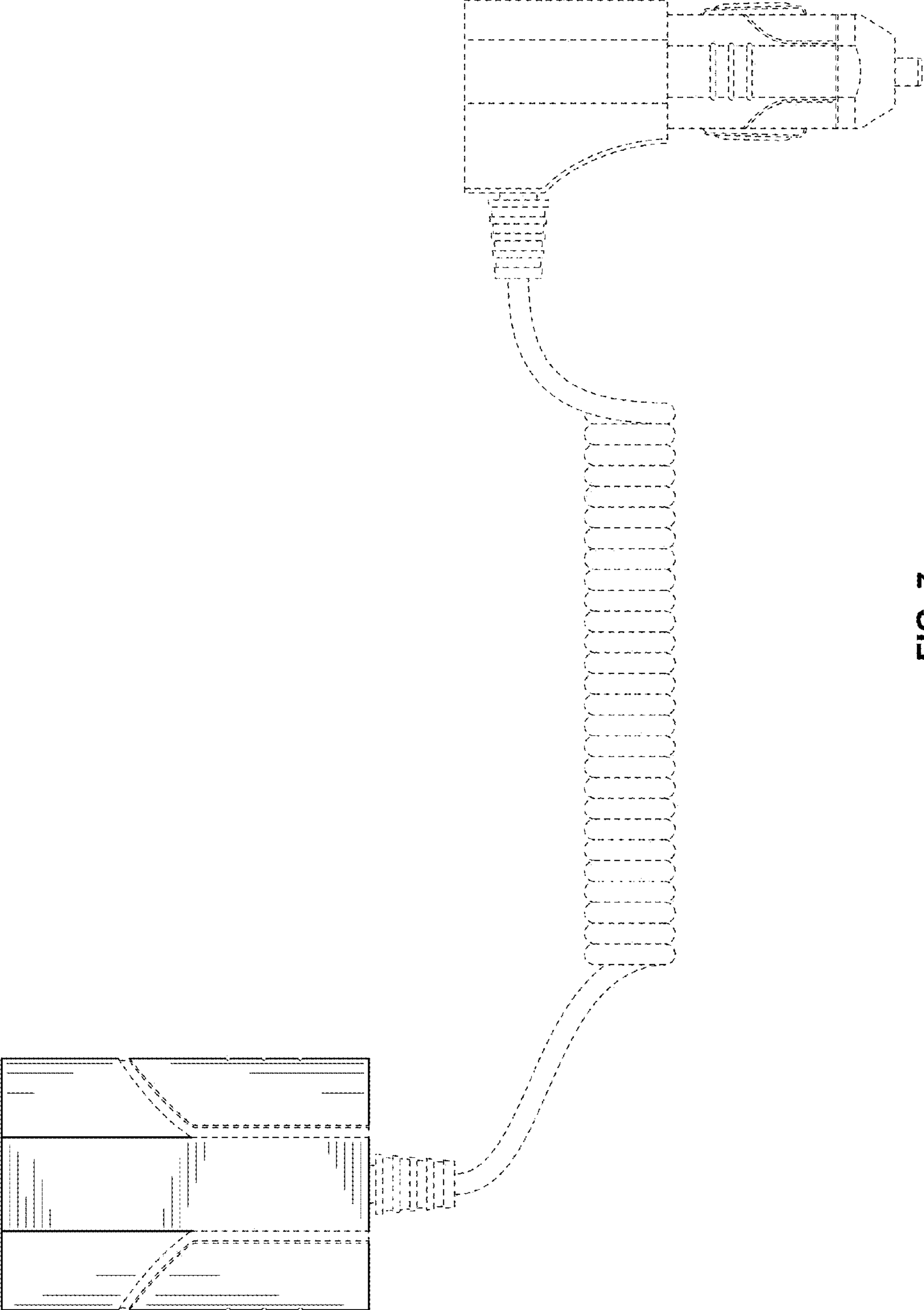


FIG. 7

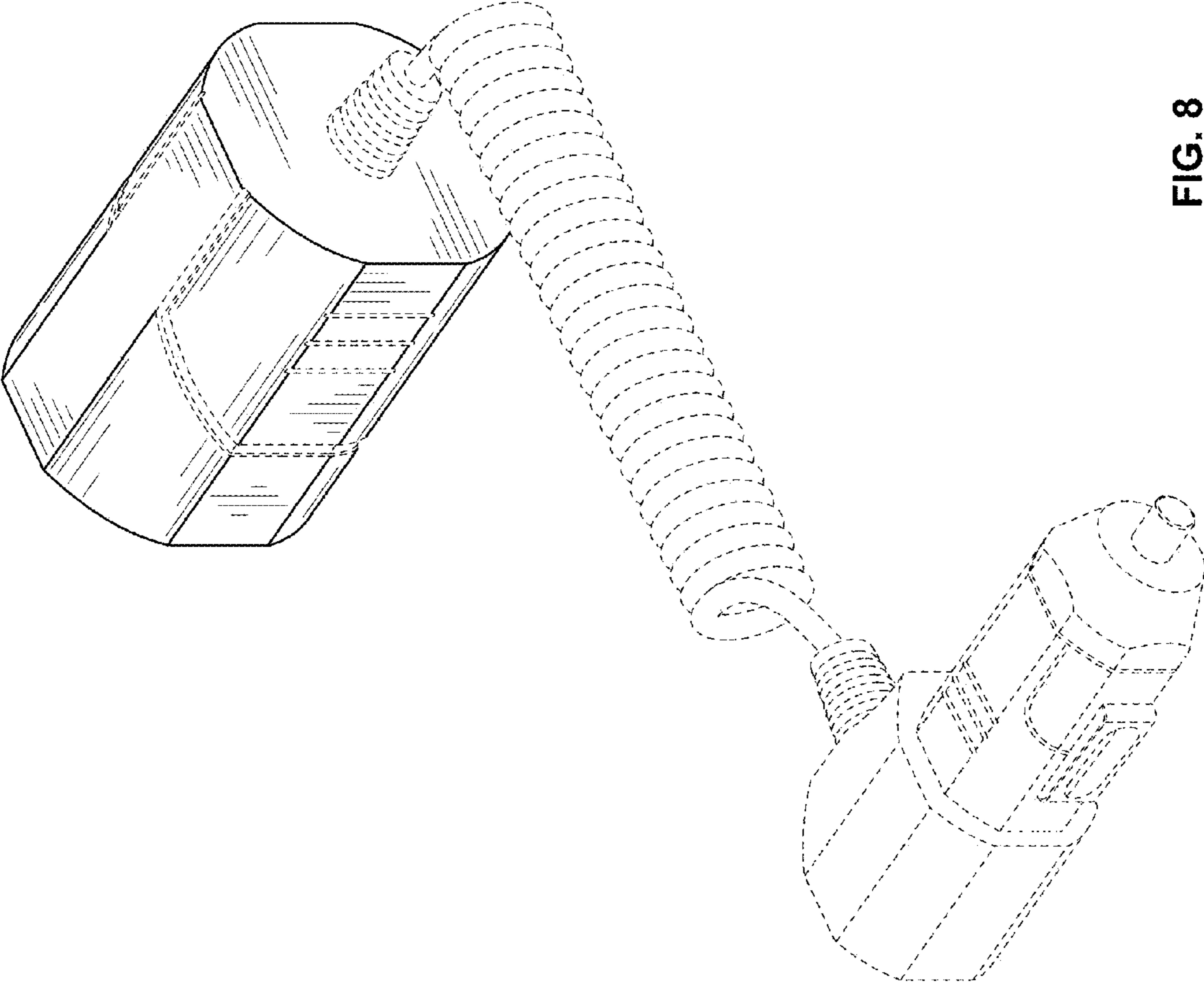


FIG. 8