

US00D767487S

(12) **United States Design Patent**  
**Huang**

(10) **Patent No.:** **US D767,487 S**

(45) **Date of Patent:** **\*\* Sep. 27, 2016**

(54) **BATTERY CHARGER**

(71) Applicant: **Shenzhen Enjoylife Technology Corporation Limited**, Shenzhen, Guangdong (CN)

(72) Inventor: **Shuanghua Huang**, Shenzhen (CN)

(73) Assignee: **SHENZHEN ENJOYLIFE TECHNOLOGY CORPORATION LIMITED**, Shenzhen (CN)

(\*\*) Term: **14 Years**

(21) Appl. No.: **29/512,919**

(22) Filed: **Dec. 23, 2014**

(51) **LOC (10) Cl.** ..... **13-02**

(52) **U.S. Cl.**  
USPC ..... **D13/107**

(58) **Field of Classification Search**  
USPC ..... D13/107, 108, 109, 110, 118, 119, 184, D13/199; D14/251, 253, 432, 434; 320/107, 320/108, 109, 110, 111, 112, 113, 114, 115, 320/128, 137, 138, 139, 140  
CPC ..... H02J 7/0042; H02J 7/0044; H02J 7/0047  
See application file for complete search history.

(56) **References Cited**

**U.S. PATENT DOCUMENTS**

D346,786 S *	5/1994	Nagele	.....	D13/108
D346,798 S *	5/1994	Nagele	.....	D13/108
D358,821 S *	5/1995	Hellier	.....	D13/108
D369,797 S *	5/1996	Hillier	.....	D13/108
5,834,920 A *	11/1998	Daniel	.....	H01R 13/60 320/111
D408,418 S *	4/1999	Pescetto	.....	D14/253
D417,189 S *	11/1999	Amero, Jr.	.....	D13/107
D420,323 S *	2/2000	Nakamura	.....	D13/107
D427,965 S *	7/2000	Wu	.....	D13/107
D471,907 S *	3/2003	Peiker	.....	D14/253
D483,016 S *	12/2003	Ma	.....	D13/108
D489,321 S *	5/2004	Krieger	.....	D13/108

D501,823 S *	2/2005	Johnson	.....	D13/107
D521,450 S *	5/2006	Stratford	.....	D13/108
D529,440 S *	10/2006	Lodato	.....	D13/108
D532,370 S *	11/2006	Shimizu	.....	D13/108
D548,687 S *	8/2007	Okuda	.....	D13/107
D555,589 S *	11/2007	Hussaini	.....	D13/108
D571,720 S *	6/2008	Yang	.....	D13/107
D571,721 S *	6/2008	Yang	.....	D13/107

(Continued)

**FOREIGN PATENT DOCUMENTS**

EM 002605113-0001 \* 12/2014

**OTHER PUBLICATIONS**

“Popular Low Price Digital Camera Battery NB-2LH/2L USB Charger” Accessed: Jan. 19, 2016. Oasis. [http://www.oasishkld.com/product/819202020-212324719/Popular\\_Low\\_Price\\_Digital\\_Camera\\_Battery\\_NB\\_2LH\\_2L\\_USB\\_Charger\\_Super\\_Slim.html](http://www.oasishkld.com/product/819202020-212324719/Popular_Low_Price_Digital_Camera_Battery_NB_2LH_2L_USB_Charger_Super_Slim.html).\*

(Continued)

*Primary Examiner* — Manpreet Matharu  
*Assistant Examiner* — Suzanne Tisdell

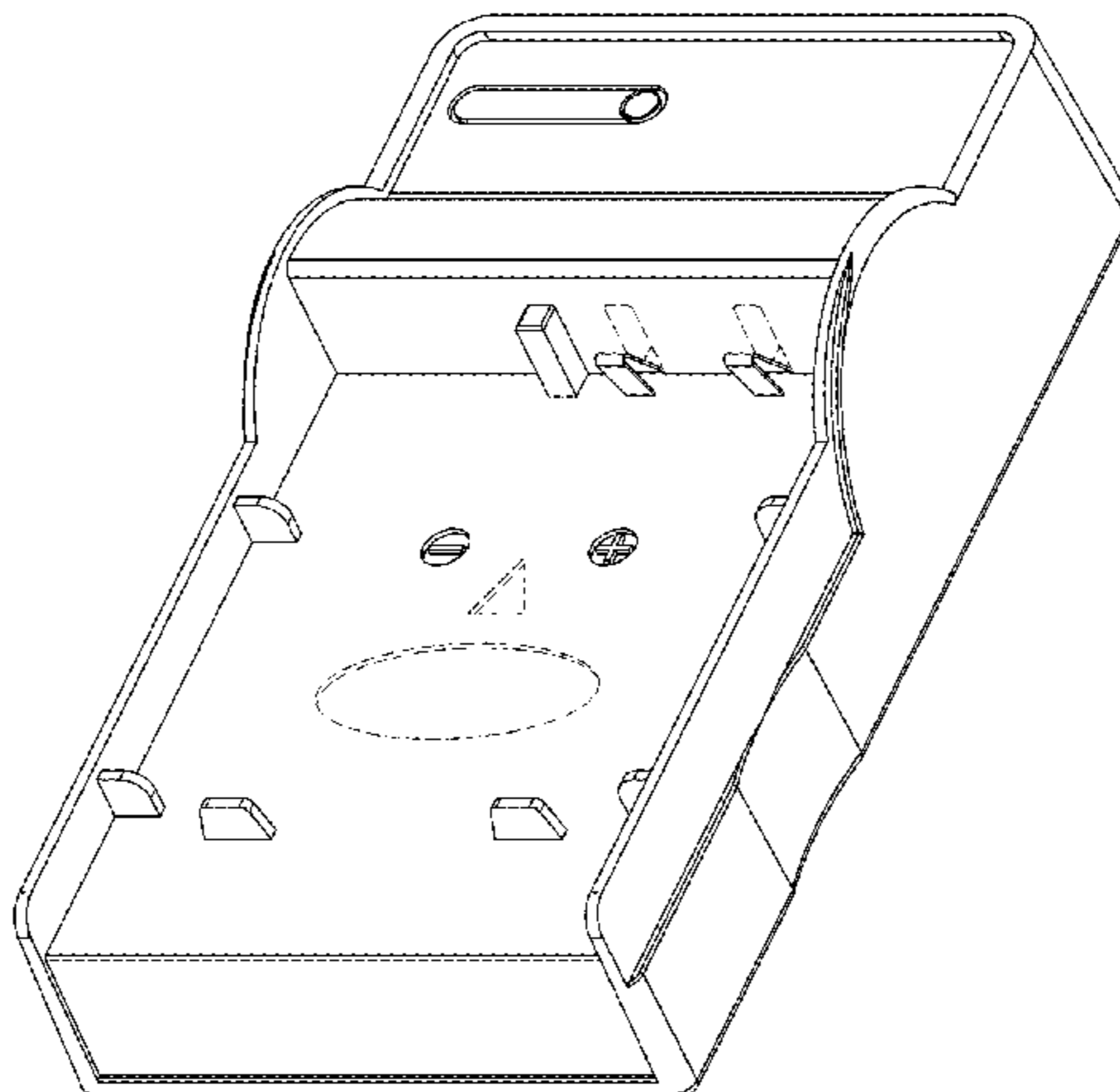
(57) **CLAIM**

The ornamental design for a “battery charger,” as shown and described.

**DESCRIPTION**

FIG. 1 is a front, top and left side perspective view of a battery charger showing my new design; FIG. 2 is a front elevational view thereof; FIG. 3 is a rear elevational view thereof; FIG. 4 is a left side elevational view thereof; FIG. 5 is a right side elevational view thereof; FIG. 6 is a top plan view thereof; and, FIG. 7 is a bottom plan view thereof. The broken lines depict portions of a battery charger that form no part of the claimed design.

**1 Claim, 7 Drawing Sheets**



(56)

**References Cited**

U.S. PATENT DOCUMENTS

D576,546 S \* 9/2008 Yang ..... D13/107  
 D599,287 S \* 9/2009 Kingston ..... D13/107  
 D605,645 S \* 12/2009 Kettula ..... D14/253  
 D623,131 S \* 9/2010 Kawakami ..... D13/107  
 D629,354 S \* 12/2010 Chang ..... D13/107  
 7,932,694 B2 \* 4/2011 Watanabe ..... H02J 7/0006  
 320/113  
 D645,815 S \* 9/2011 Wu ..... D13/108  
 D654,018 S \* 2/2012 Conley ..... D13/107  
 D668,219 S \* 10/2012 Zhao ..... D13/107  
 D718,235 S \* 11/2014 Uzuyama ..... D13/108  
 D718,710 S \* 12/2014 Rabalais ..... D13/107  
 D721,648 S \* 1/2015 Breines ..... D13/107  
 9,041,359 B2 \* 5/2015 Ro ..... H02J 7/0065  
 320/108  
 D742,887 S \* 11/2015 Ignomirello ..... D14/432  
 2005/0225285 A1 \* 10/2005 Cheng ..... H02J 7/0003  
 320/111

2006/0108984 A1 \* 5/2006 Johnson ..... B25F 5/02  
 320/128  
 2010/0171462 A1 \* 7/2010 Yang ..... H02J 7/0003  
 320/110  
 2012/0249062 A1 \* 10/2012 Chang ..... H01M 2/1022  
 320/107  
 2014/0340025 A1 \* 11/2014 Rief ..... H02J 7/0044  
 320/107

OTHER PUBLICATIONS

“Battery Charger for Nikon EN-EL 14 with USB line” Accessed: Jan. 19, 2016. DH Gate. <http://www.dhgate.com/product/battery-charger-for-nikon-en-el14-with-usb/247957423.html>.  
 “Compact Battery Charger Set for Nikon EN-EL 12” First Comment: Nov. 16, 2009. Amazon. <http://www.amazon.com/Compact-Battery-Charger-Nikon-EN-EL12/dp/B002GEVZPC>.  
 “Insten Compact Battery Charger/ Li-ion Battery for Nikon EN-EL 5” First Comment: Dec. 30, 2010. Overstock. <http://www.overstock.com/Electronics/Insten-Compact-Battery-Charger-Li-ion-Battery-for-Nikon-EN-EL5/5563587/product.html>.

\* cited by examiner

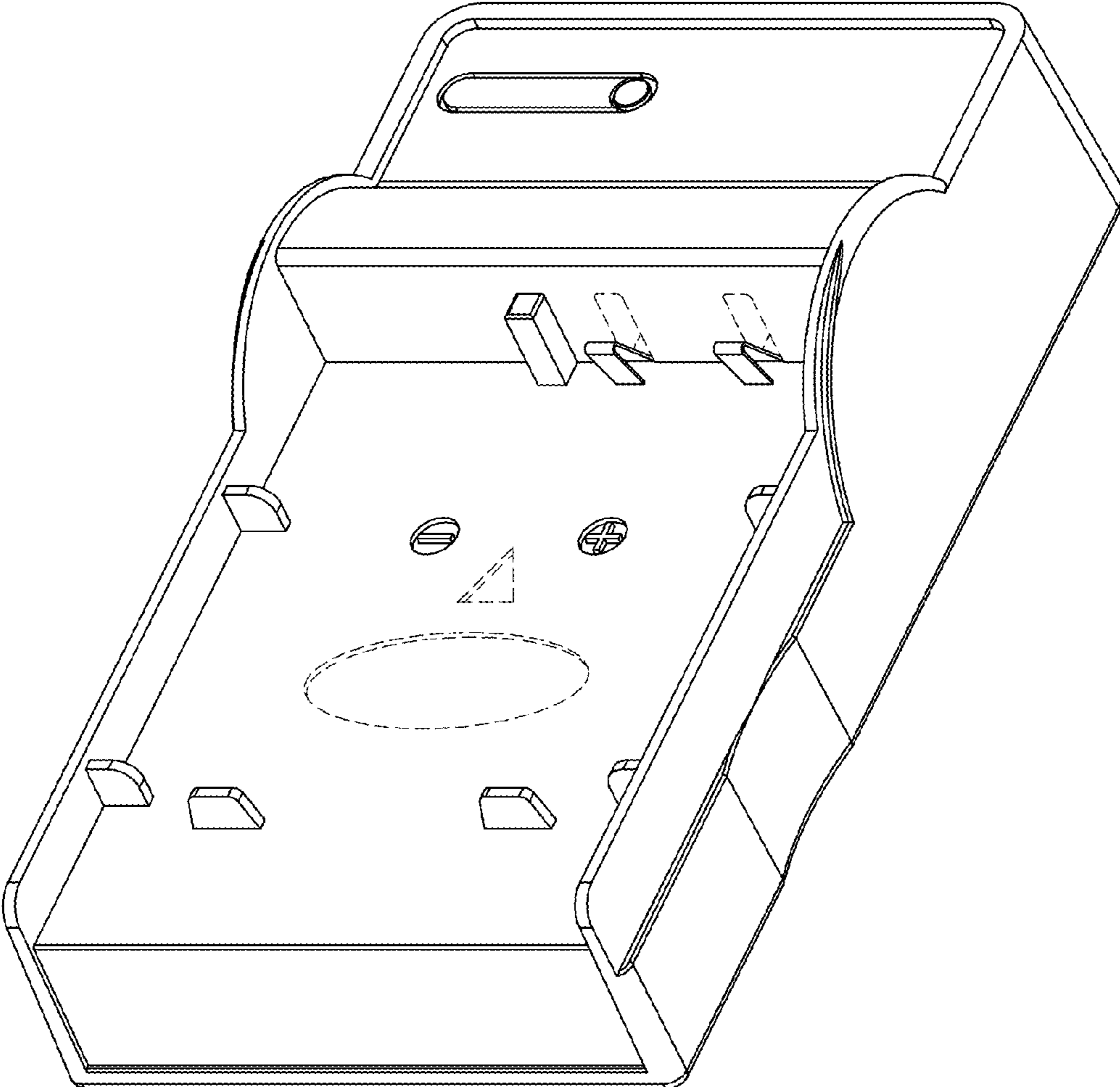


FIG. 1

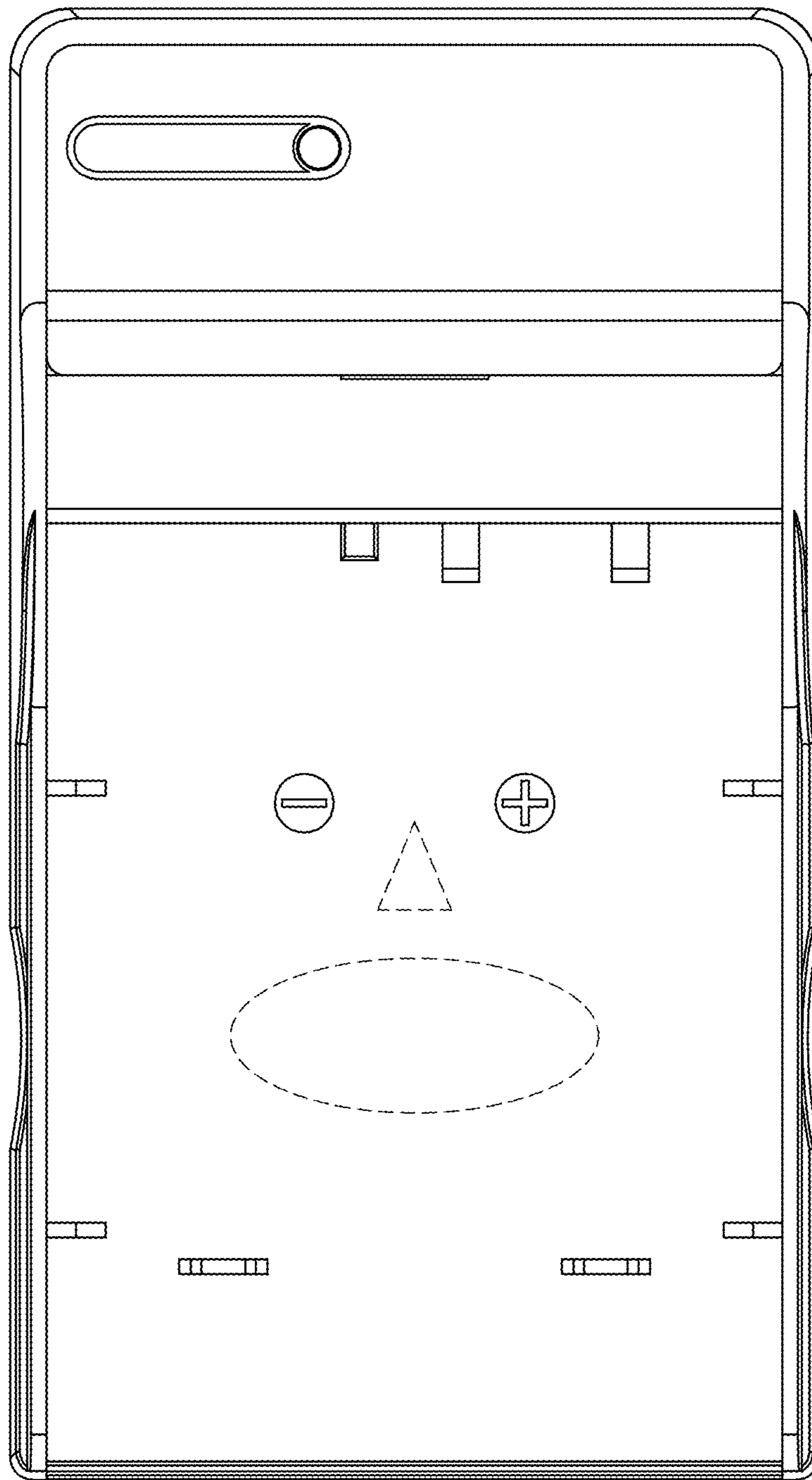


FIG. 2

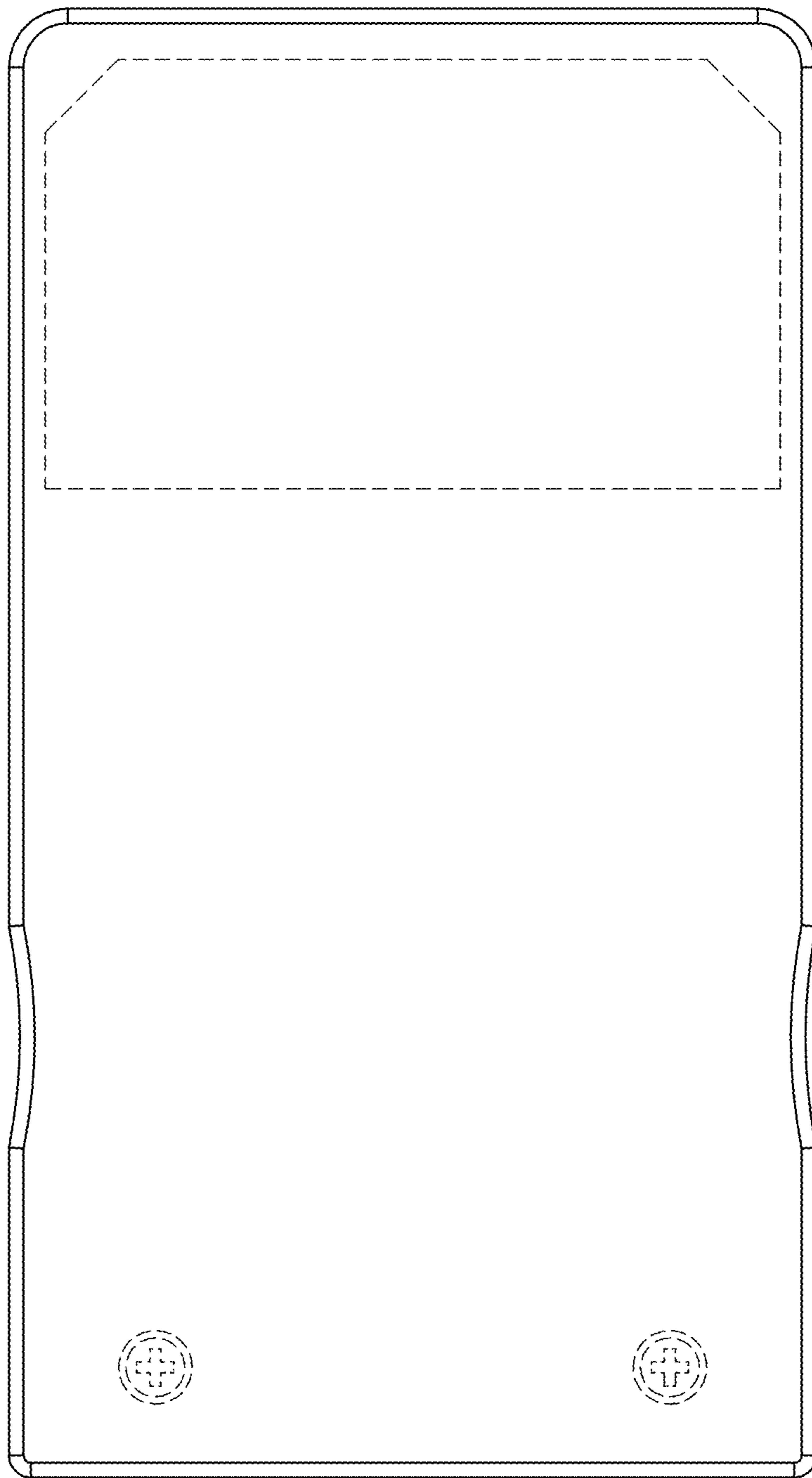


FIG. 3

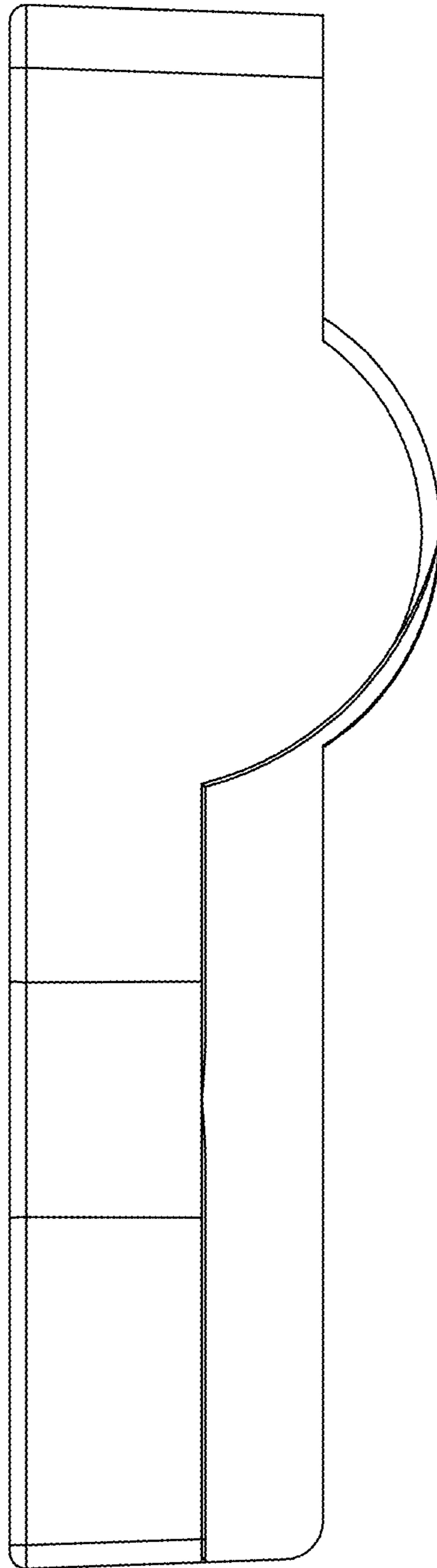


FIG. 4



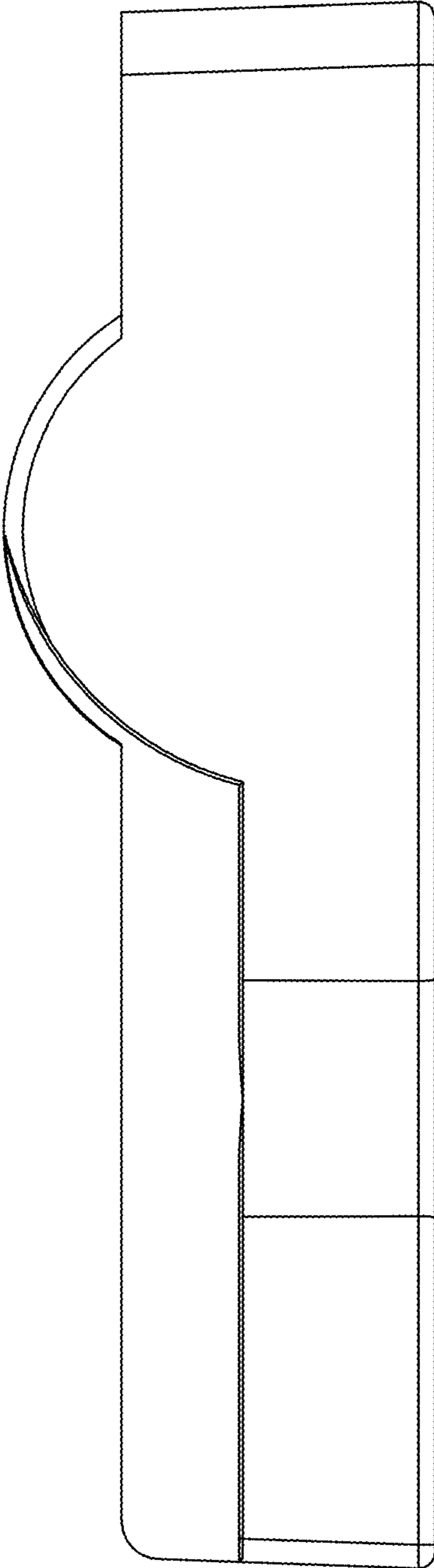


FIG. 5

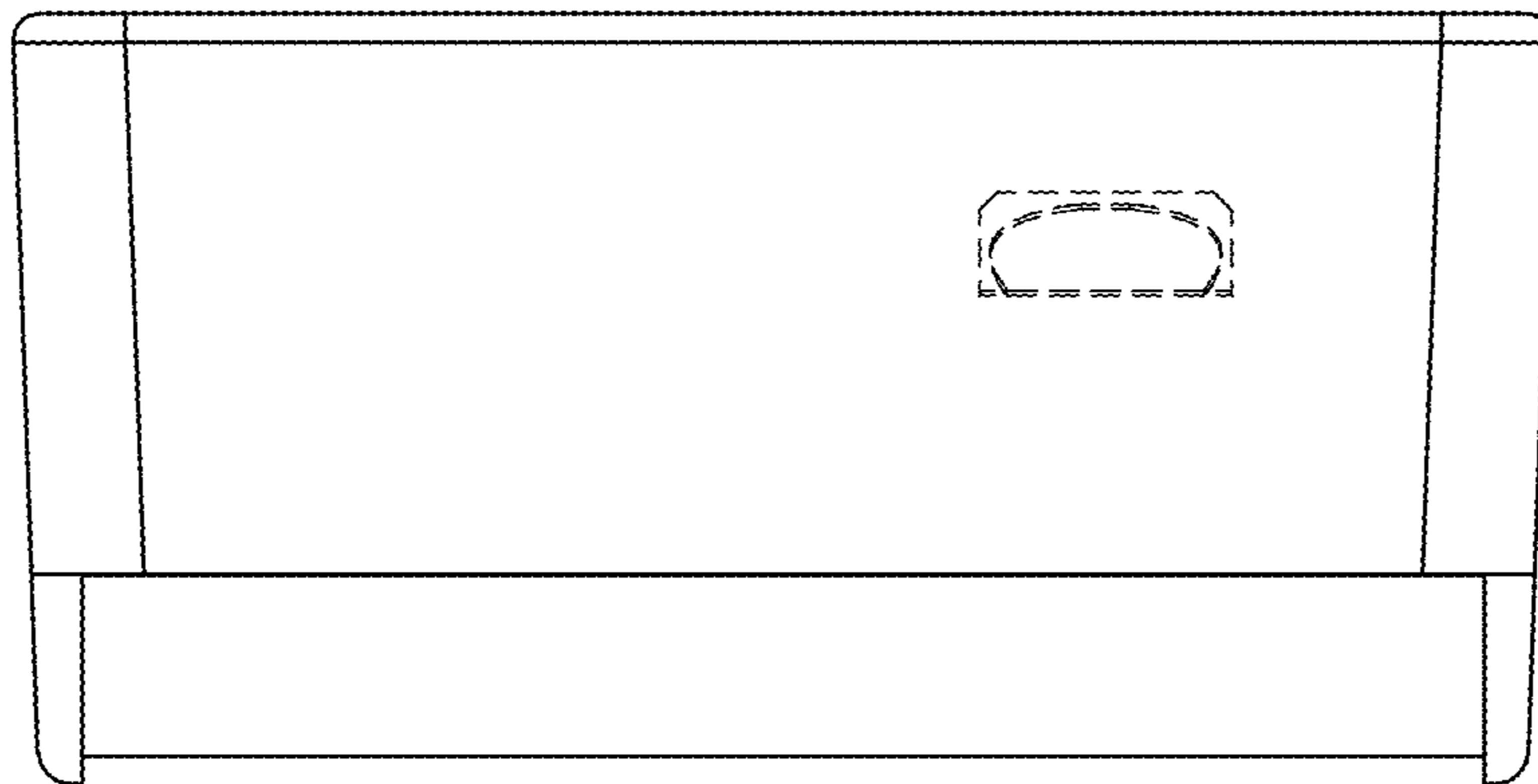


FIG. 6



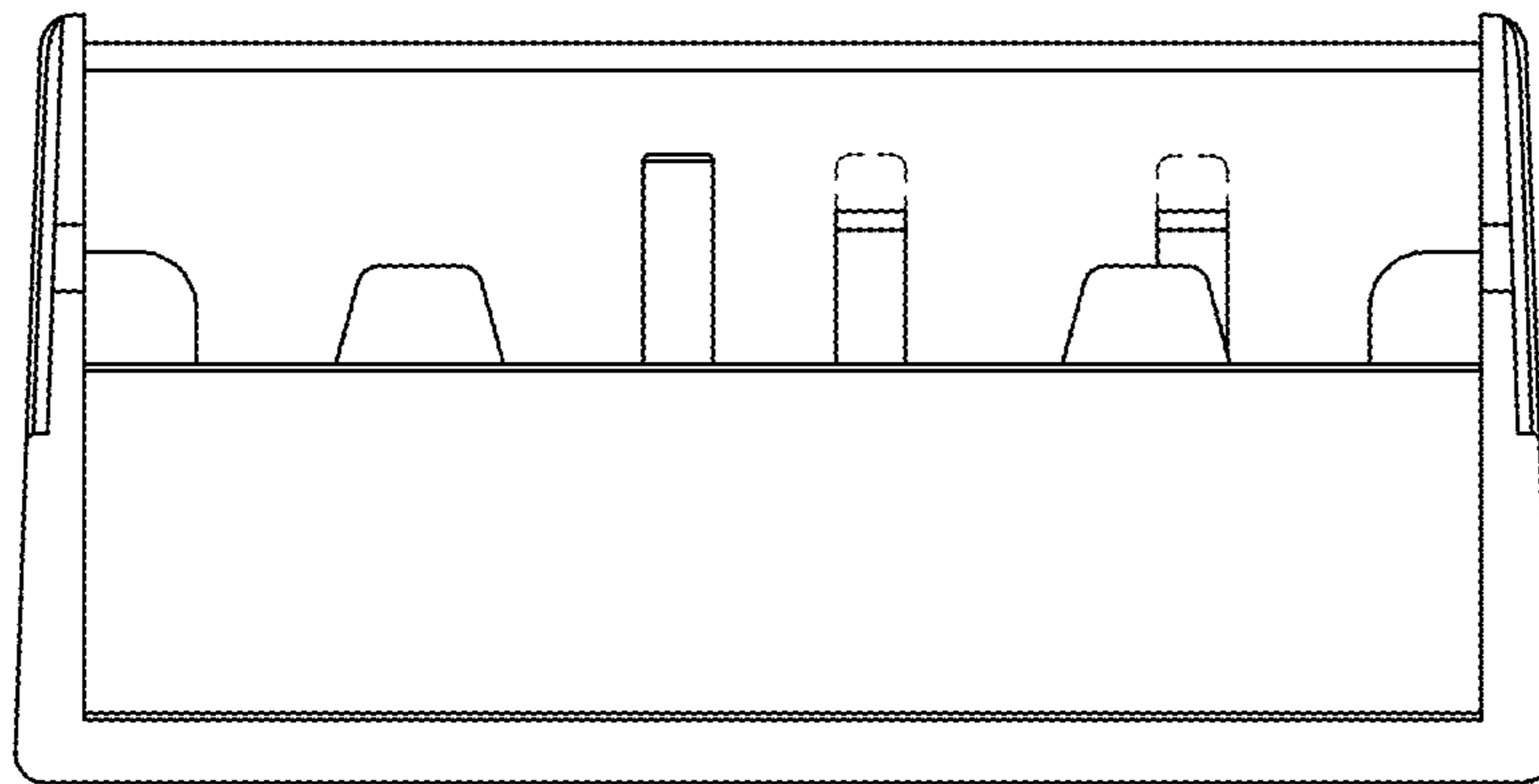


FIG. 7