



US00D767486S

(12) **United States Design Patent** (10) **Patent No.:** **US D767,486 S**
Yu (45) **Date of Patent:** **** Sep. 27, 2016**

(54) **MOBILE POWER PACK**
(71) Applicant: **LILPARTNER SCIENCE & TECHNOLOGIES CO., LTD.**,
Shenzhen, Guangdong (CN)
(72) Inventor: **Hongchang Yu**, Guangdong (CN)
(73) Assignee: **LILPARTNER SCIENCE & TECHNOLOGIES CO., LTD.**,
Shenzhen, Guangdong (CN)
(**) Term: **15 Years**
(21) Appl. No.: **29/539,726**
(22) Filed: **Sep. 17, 2015**
(51) **LOC (10) Cl.** **13-02**
(52) **U.S. Cl.**
USPC **D13/103**
(58) **Field of Classification Search**
USPC D13/102-110, 118-119, 184, 199;
D14/356, 432; 320/103, 111-115, 135,
320/138, 140
CPC Y02E 60/10; Y02E 60/12; Y02E 60/122;
Y02E 60/124; Y02E 60/50; H01M 2/02;
H01M 2/20; H01M 2/022; H01M 2/0202;
H01M 2/0207; H01M 2/0212; H01M 2/1061;
H01M 2/1022; H01M 2/1055; H01M 2/1066;
H01M 2/105; H01M 2/204; H01M 2/202;
H01M 2/206; H01M 10/4257; H01M
10/0436; H01M 10/48; H01M 10/44; H01M
10/46; H01M 10/465; H01M 10/482; H01M
2200/30; H01M 2250/30; H01M 2250/40;
H02J 7/00; H02J 7/0003; H02J 7/0011;
H02J 7/0013; H02J 7/0054; H02J 7/0055;
H02J 7/0057; H02J 2007/0062
See application file for complete search history.

(56) **References Cited**
U.S. PATENT DOCUMENTS
D661,249 S * 6/2012 Smith D13/110
D711,821 S * 8/2014 Wang D13/103
D720,687 S * 1/2015 Hasbrook D13/103
D726,106 S * 4/2015 Aber D13/103
D733,043 S * 6/2015 Hasbrook D13/103
2015/0171386 A1 * 6/2015 Yang H01M 2/1022
429/163

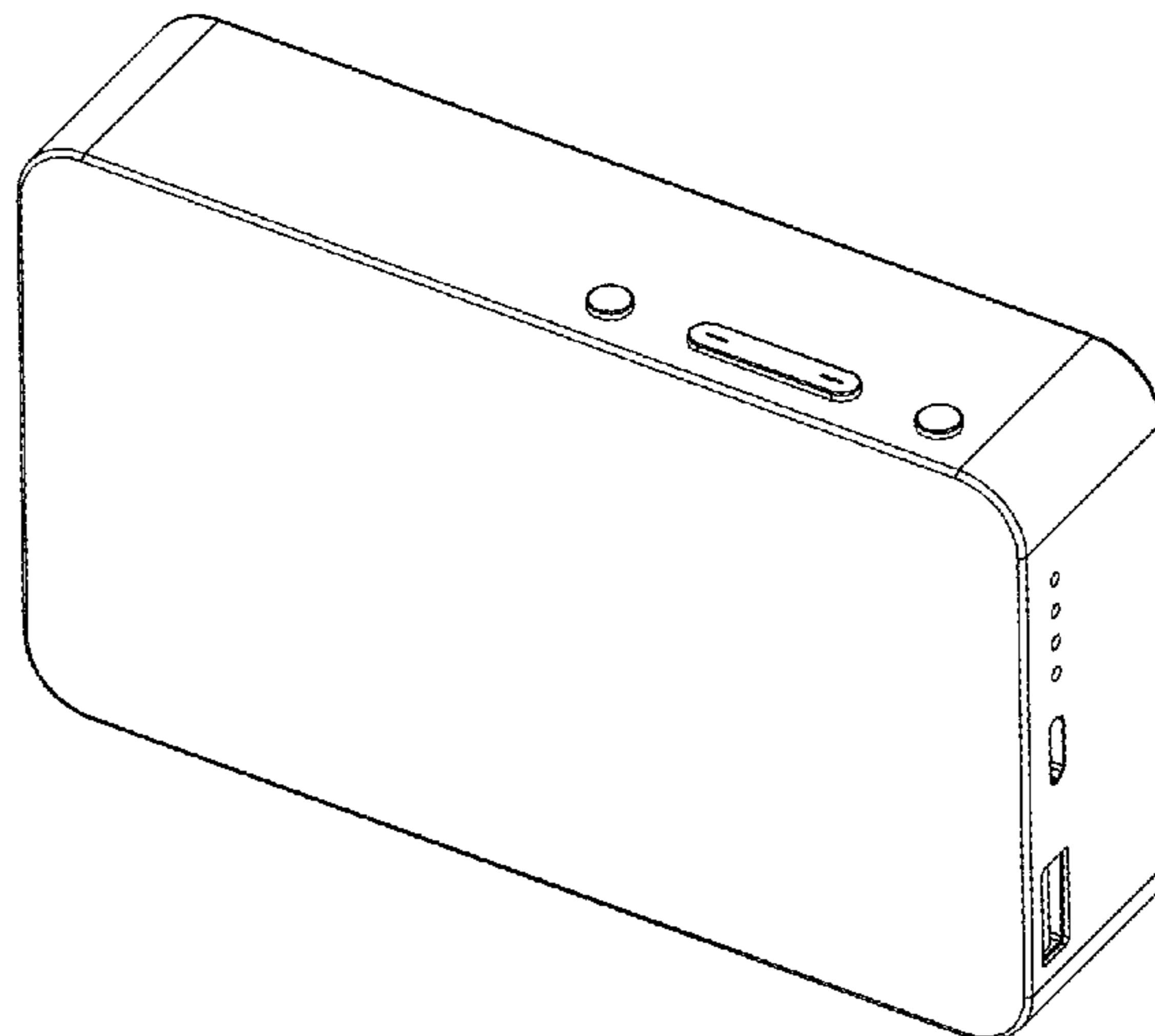
OTHER PUBLICATIONS
Amazon.com: Kayo Maxtar 13000mAh Dual USB 2.1A/1A Power Bank for Smart Phones, Black. Review published on Dec. 21, 2014. Retrieved from the internet at <<http://www.amazon.com/Maxtar-13000mAh-Power-Smart-Phones/dp/B00VE0YDOY/>>, Apr. 8, 2016. 5 pages.*

* cited by examiner
Primary Examiner — Rosemary K Tarcza
Assistant Examiner — Christy Nemeth
(74) *Attorney, Agent, or Firm* — Jackson IPG PLLC;
Demian K. Jackson

(57) **CLAIM**
The ornamental design for a mobile power pack, as shown and described.

DESCRIPTION
FIG. 1 is a front side perspective view of a mobile power pack showing my new design;
FIG. 2 is a front elevational view thereof;
FIG. 3 is a rear elevational view thereof;
FIG. 4 is a left side elevational view thereof;
FIG. 5 is a right side elevational view thereof;
FIG. 6 is a top plan view thereof; and,
FIG. 7 is a bottom plan view thereof.

1 Claim, 4 Drawing Sheets



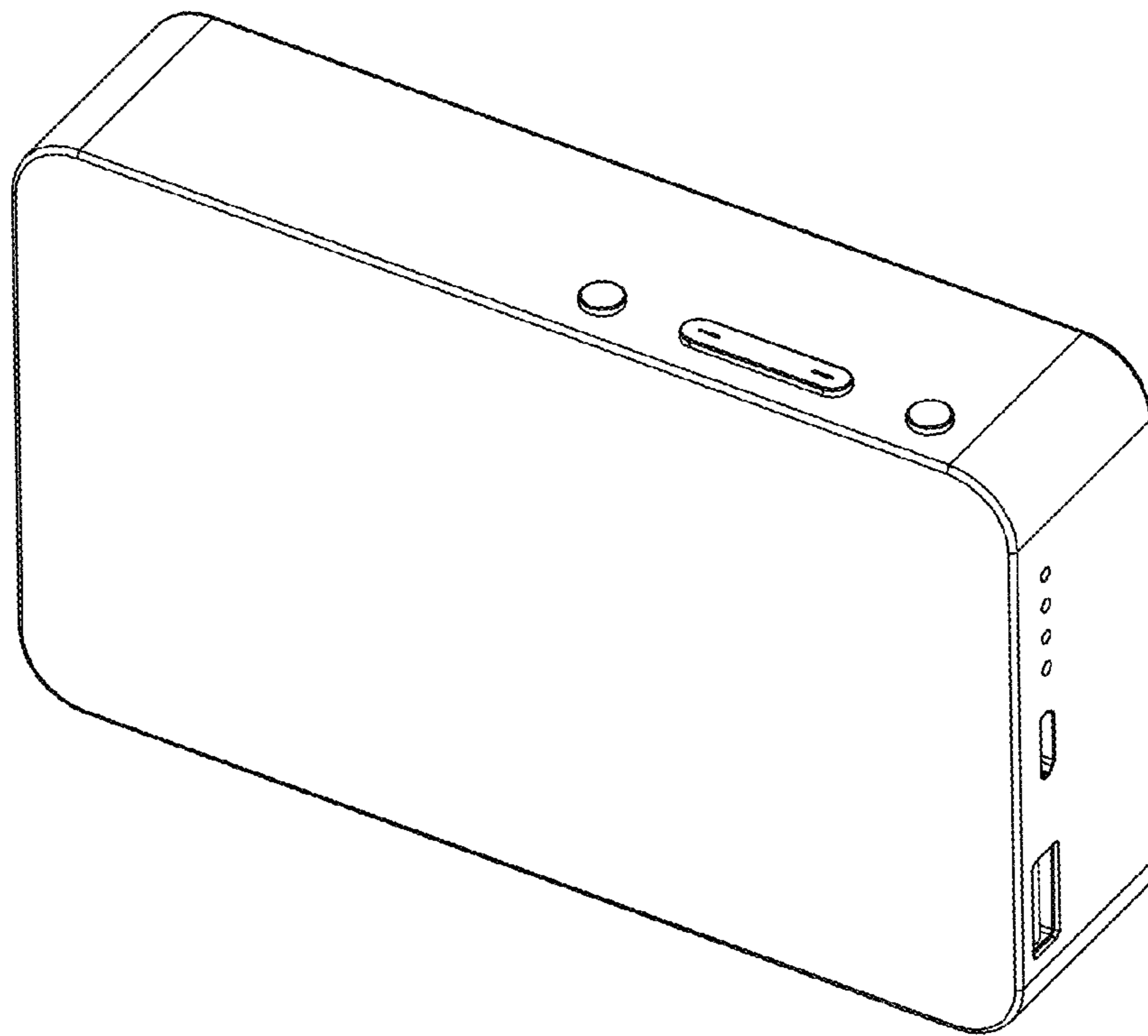


Fig. 1

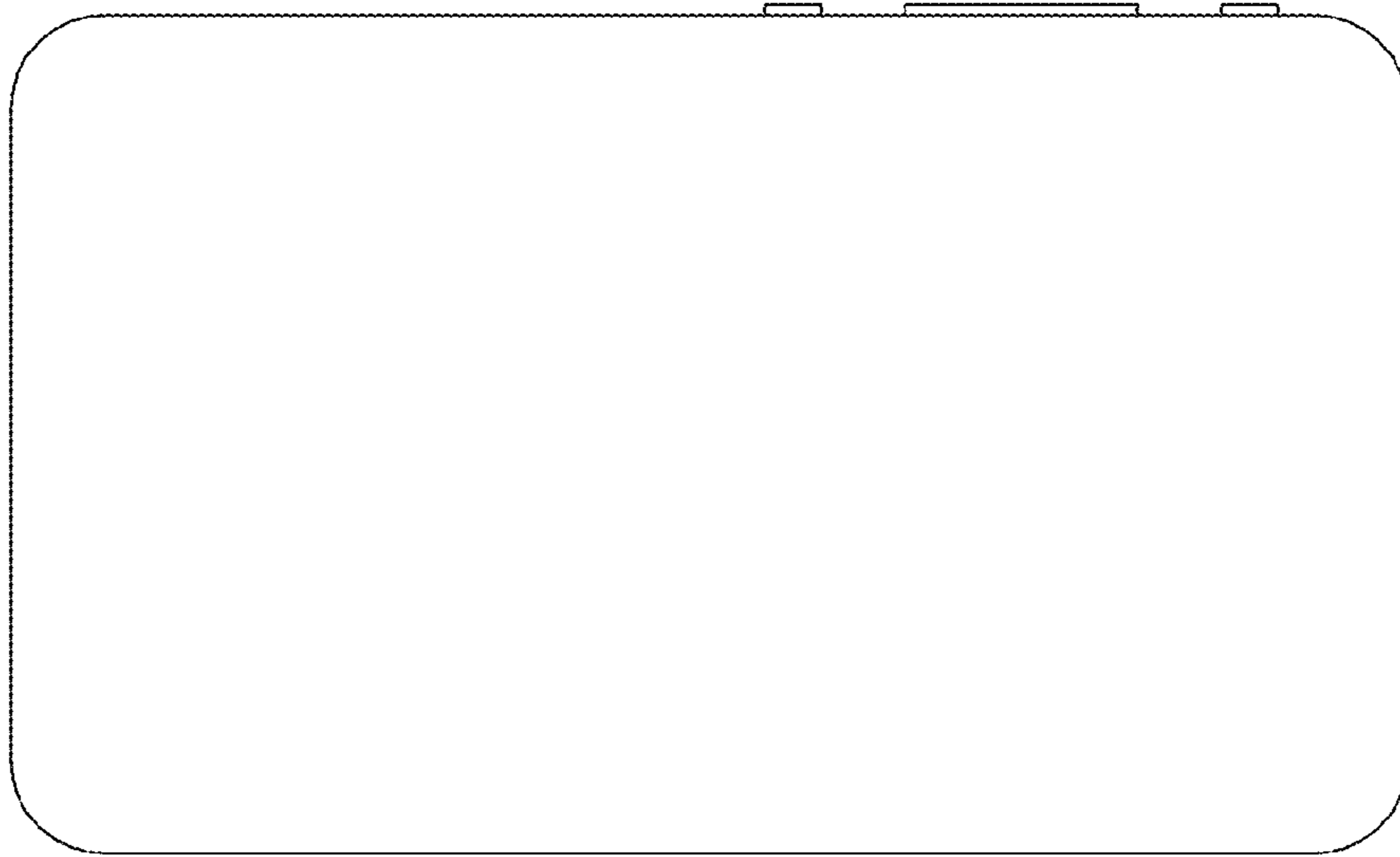


Fig. 2

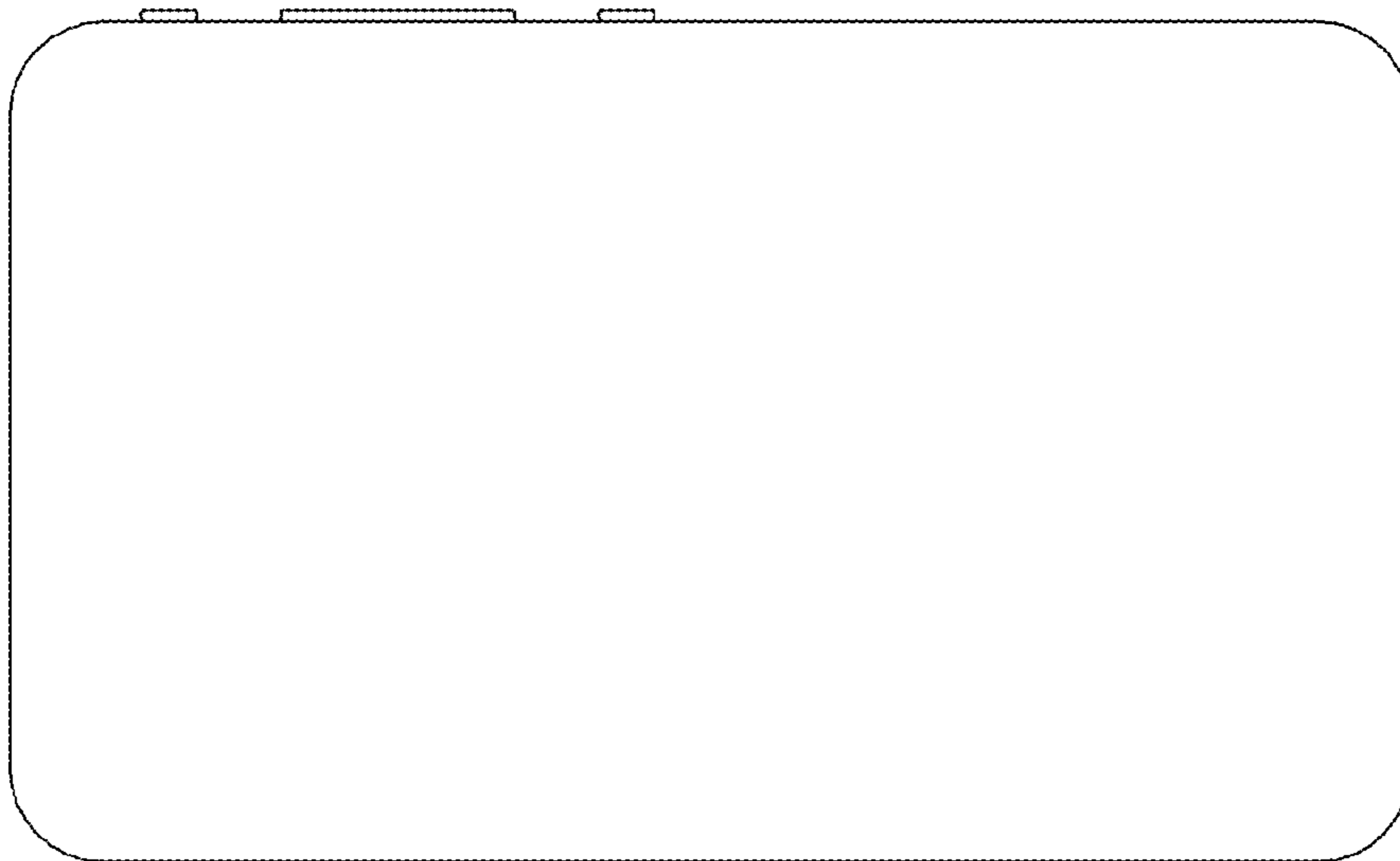


Fig. 3

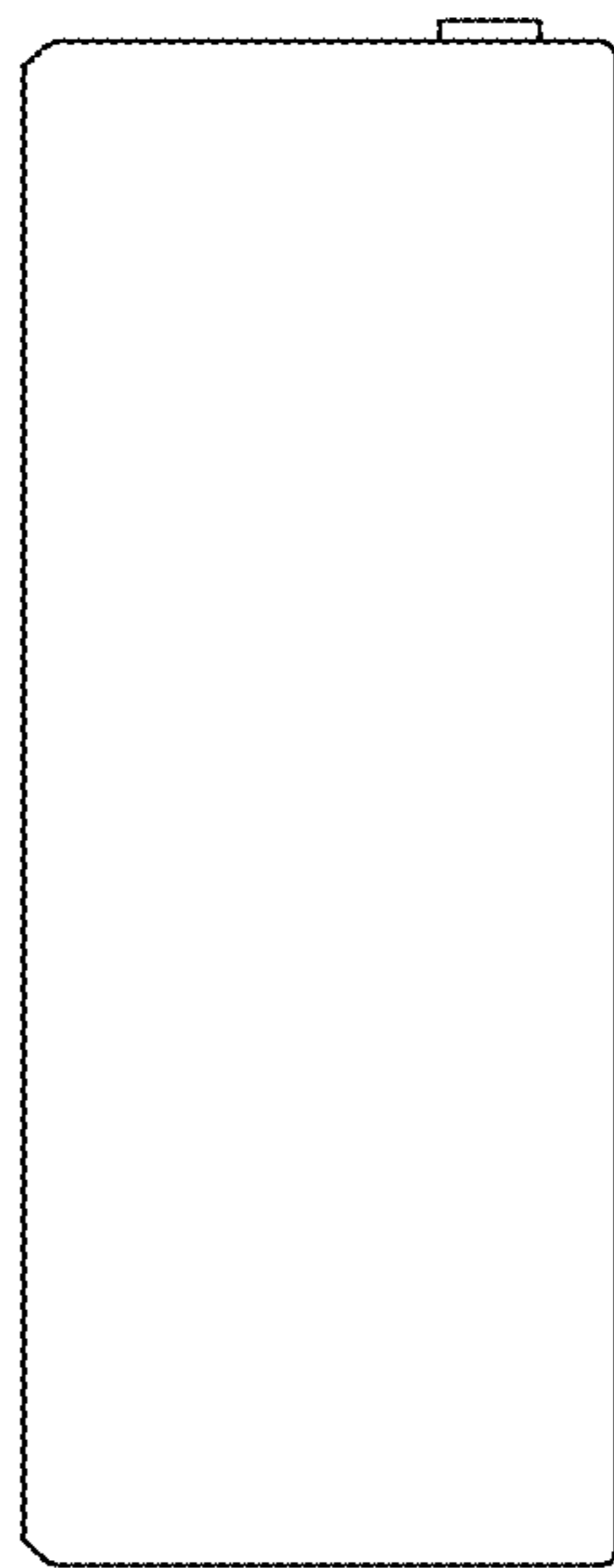


Fig. 4

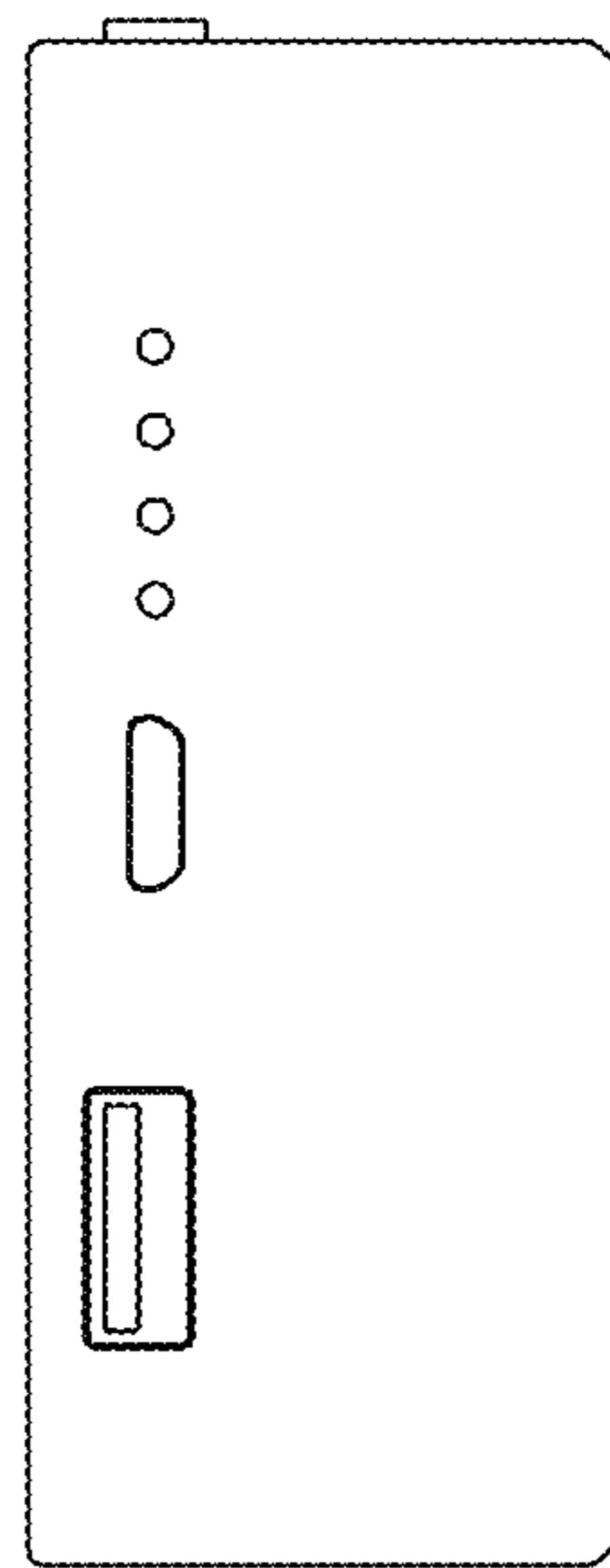


Fig. 5

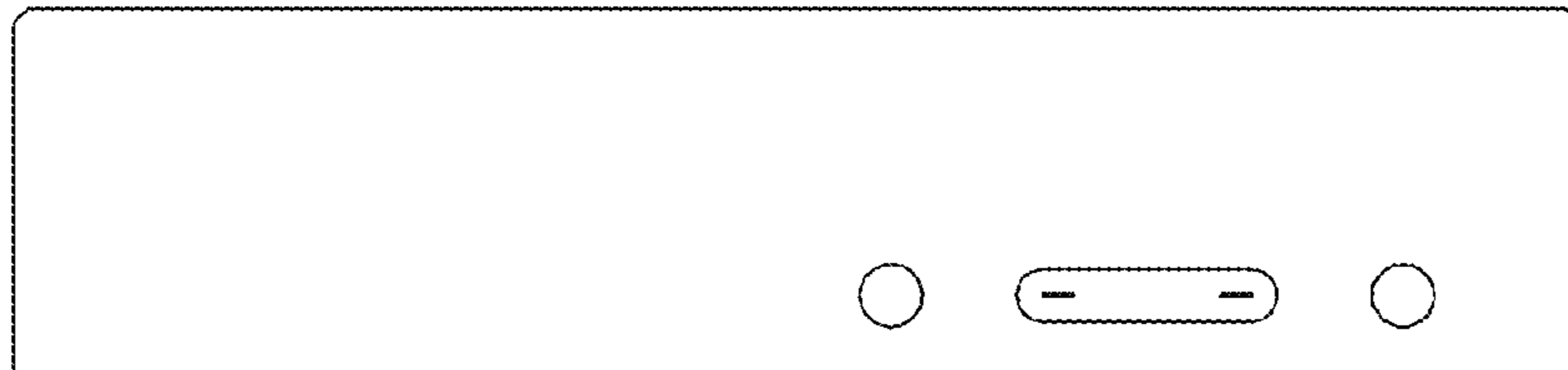


Fig. 6



Fig. 7