



US00D767479S

(12) **United States Design Patent**
Shimomura

(10) **Patent No.:** **US D767,479 S**
(45) **Date of Patent:** **** Sep. 27, 2016**

(54) **TIRE**

(71) Applicant: **Toyo Tire & Rubber Co., Ltd.**,
Osaka-shi, Osaka (JP)

(72) Inventor: **Kazuo Shimomura**, Osaka (JP)

(73) Assignee: **Toyo Tire & Rubber Co., Ltd.**, Osaka
(JP)

(**) Term: **15 Years**

(21) Appl. No.: **29/530,966**

(22) Filed: **Jun. 22, 2015**

(30) **Foreign Application Priority Data**

Mar. 4, 2015 (JP) 2015-004739

(51) **LOC (10) Cl.** **12-15**

(52) **U.S. Cl.**
USPC **D12/585**; D12/590

(58) **Field of Classification Search**
USPC D12/581, 582, 583, 584, 585, 600, 601,
D12/602, 603
CPC B60C 11/03; B60C 11/0344
See application file for complete search history.

(56) **References Cited**

U.S. PATENT DOCUMENTS

D404,694 S * 1/1999 Himuro D12/585
D430,830 S * 9/2000 Guspodin D12/585
D559,774 S * 1/2008 Kurata D12/585

D581,350 S * 11/2008 Froger D12/585
D613,237 S * 4/2010 Mukai D12/585
D645,808 S * 9/2011 Takemoto D12/585
D700,131 S * 2/2014 Miyazaki D12/582
9,242,511 B2 * 1/2016 Takemoto B60C 11/0306

FOREIGN PATENT DOCUMENTS

JP 1445337 S 7/2012

* cited by examiner

Primary Examiner — Robert M Spear

(74) *Attorney, Agent, or Firm* — Sterne, Kessler, Goldstein
& Fox P.L.L.C.

(57) **CLAIM**

The ornamental design for a tire, as shown and described.

DESCRIPTION

FIG. 1 is a perspective view of a tire showing my new design;

FIG. 2 is a front view thereof, the rear view being the same;
FIG. 3 is a top plan view thereof, the bottom view being the same;

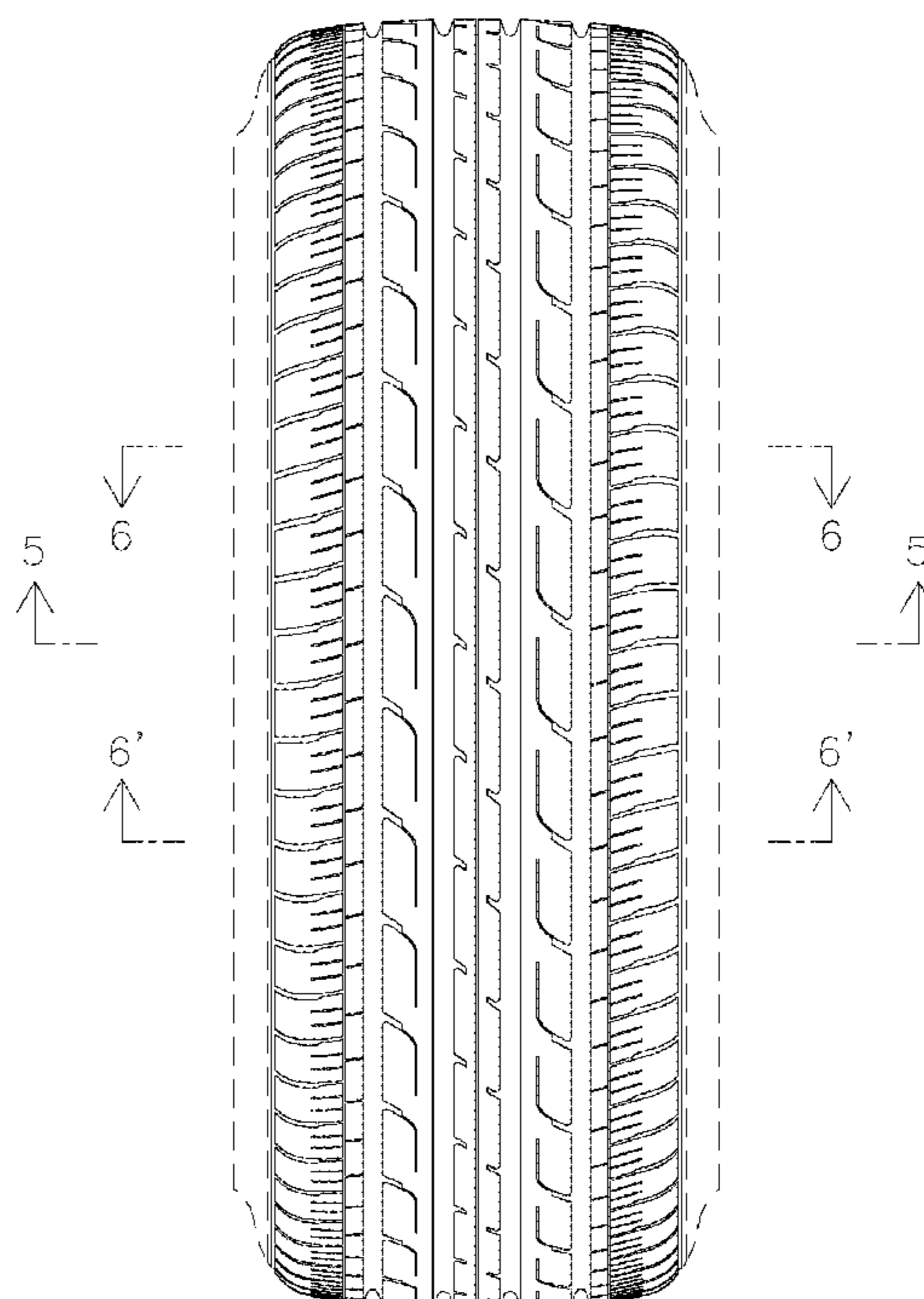
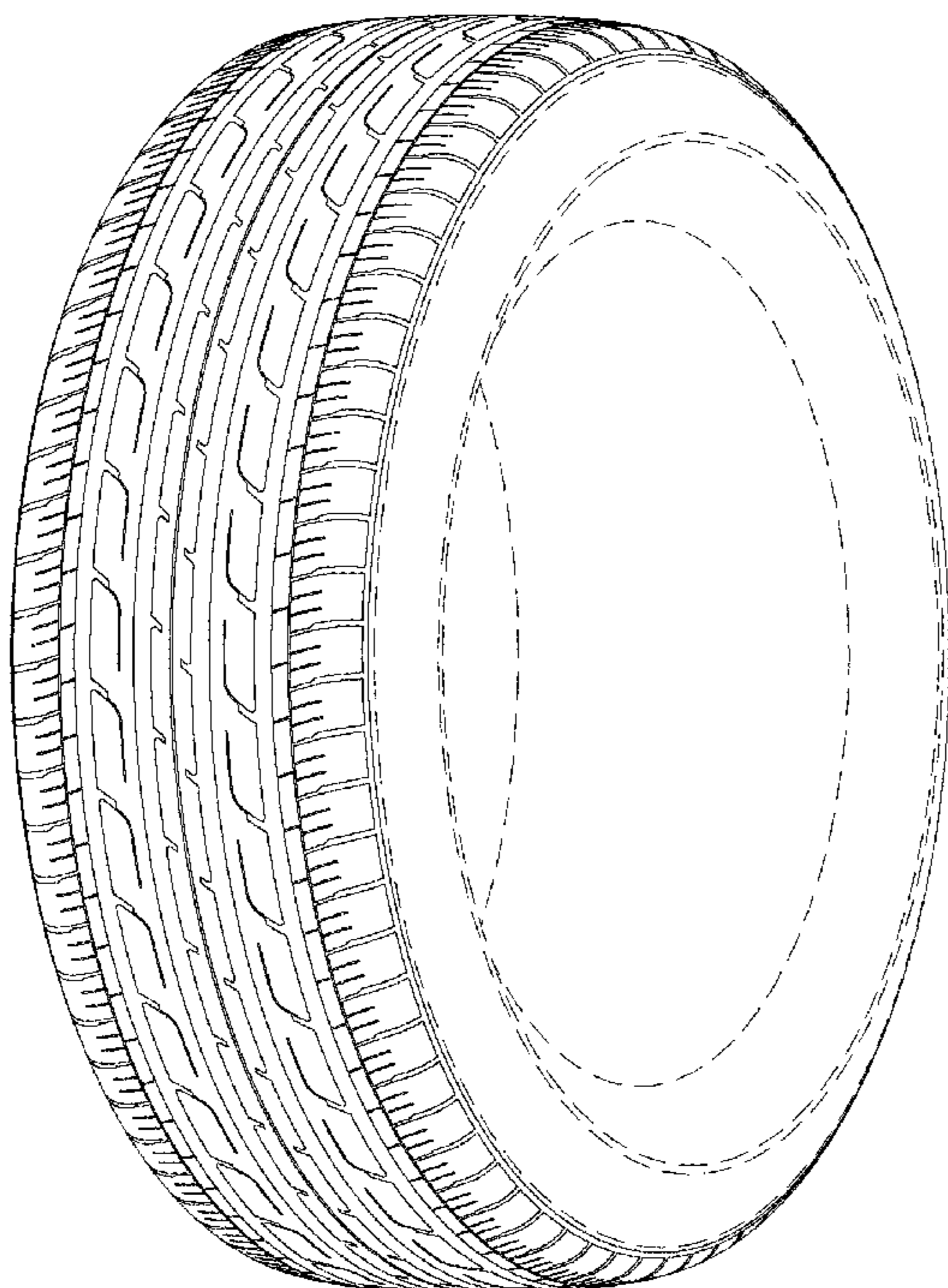
FIG. 4 is a right side view thereof, the left side view being the same;

FIG. 5 is an enlarged cross-sectional view taken along line 5-5 in FIG. 2; and,

FIG. 6 is an enlarged view taken along lines 6-6 and 6'-6' in FIG. 2.

In the drawings, the broken lines showing portions of the sidewall and inner bead depict portions of the tire that form no part of the claimed design.

1 Claim, 6 Drawing Sheets



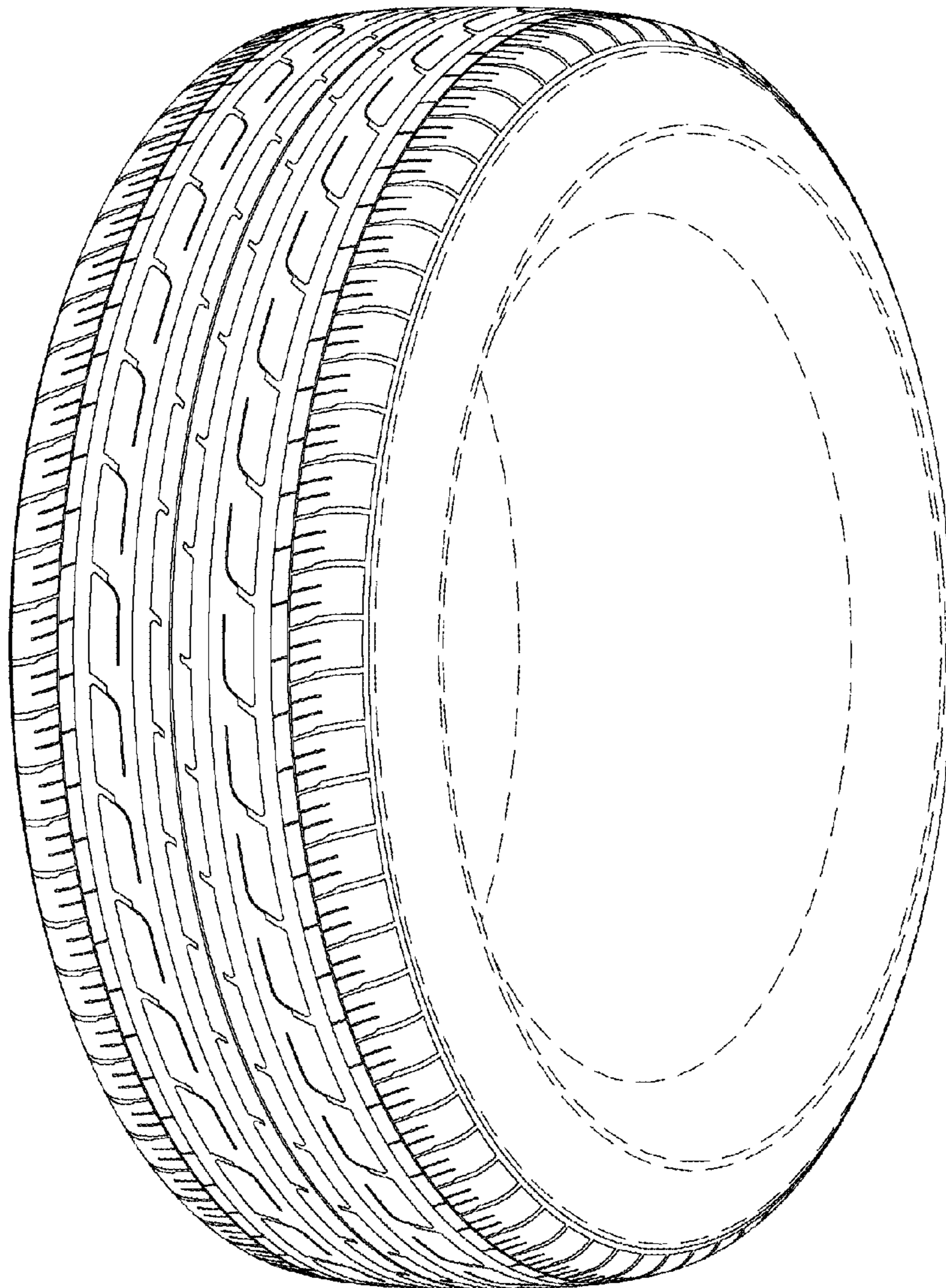


FIG. 1

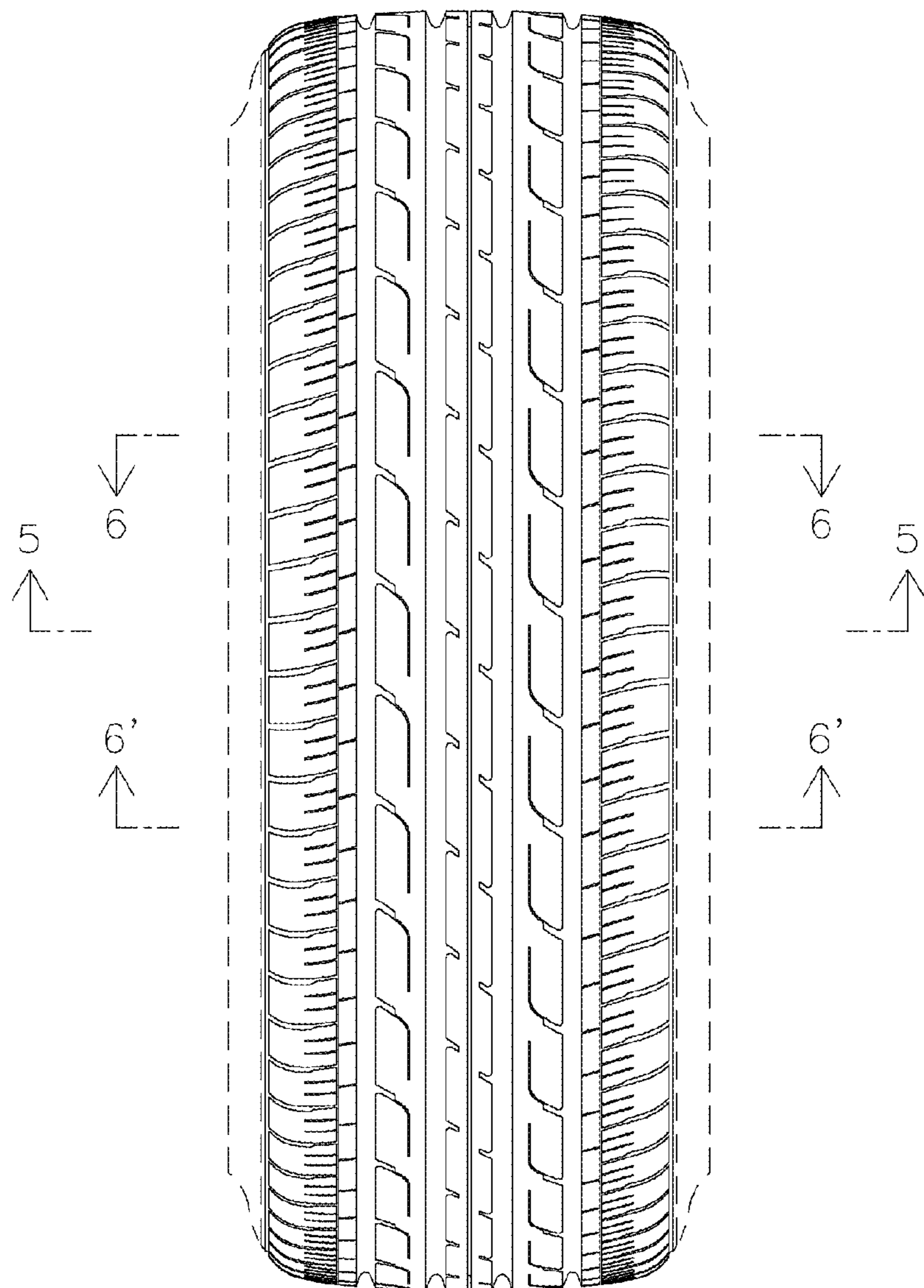


FIG. 2

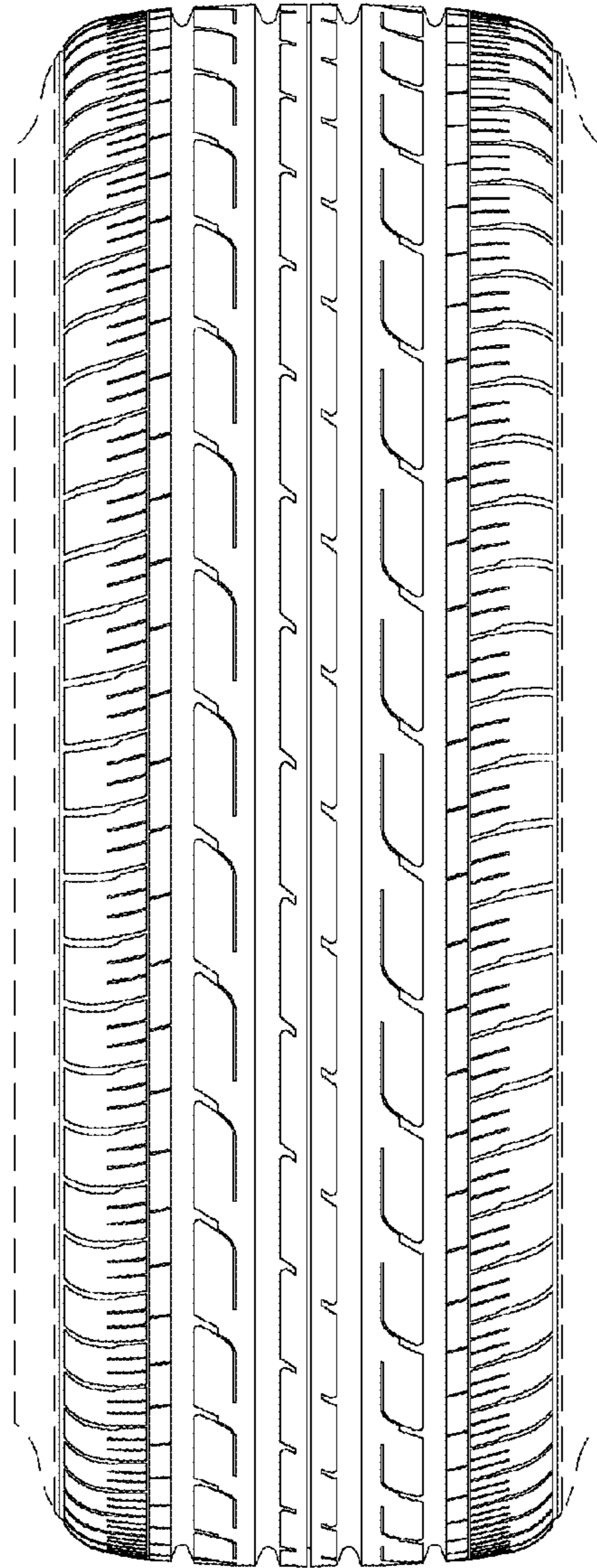


FIG. 3

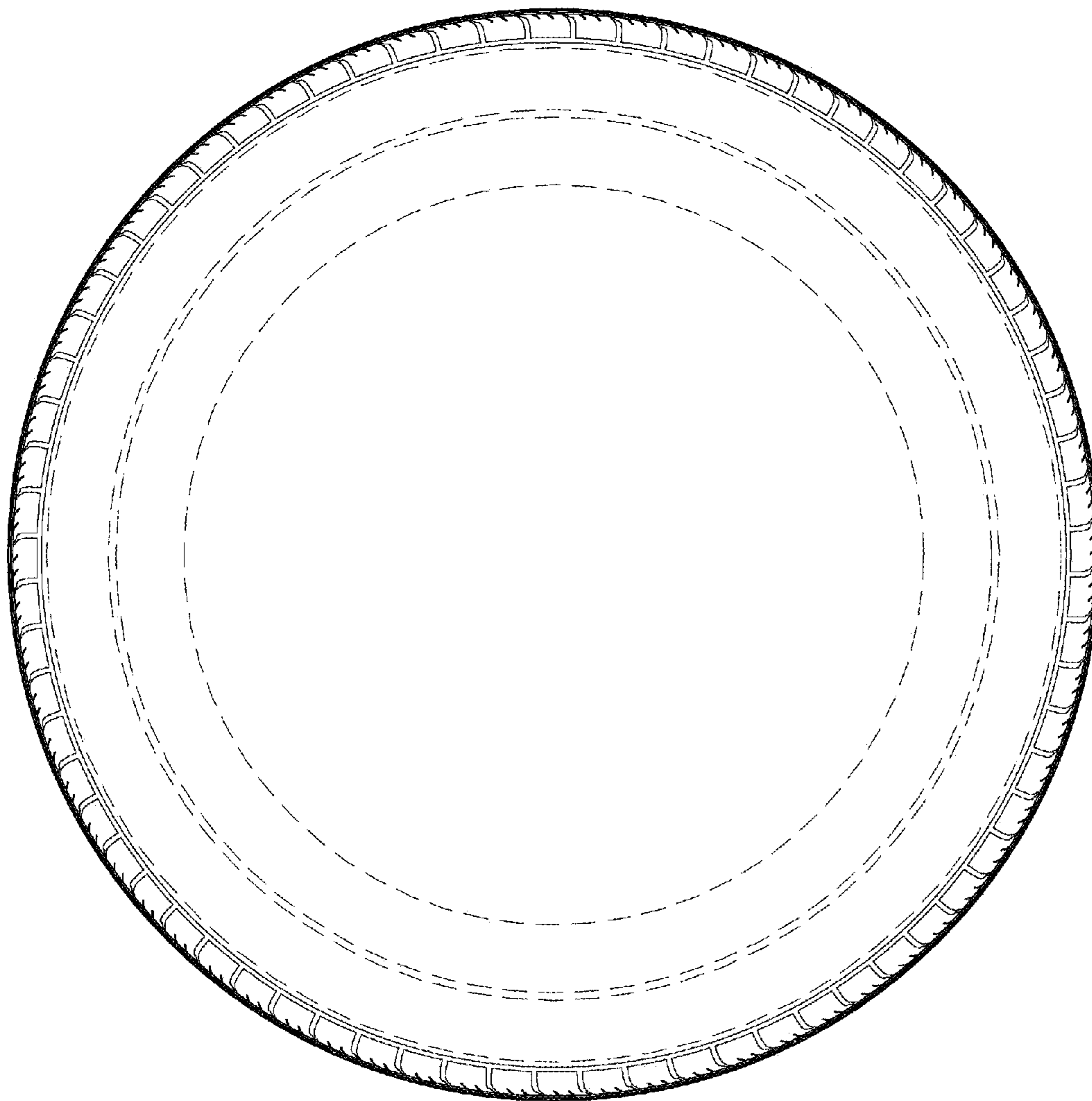


FIG. 4

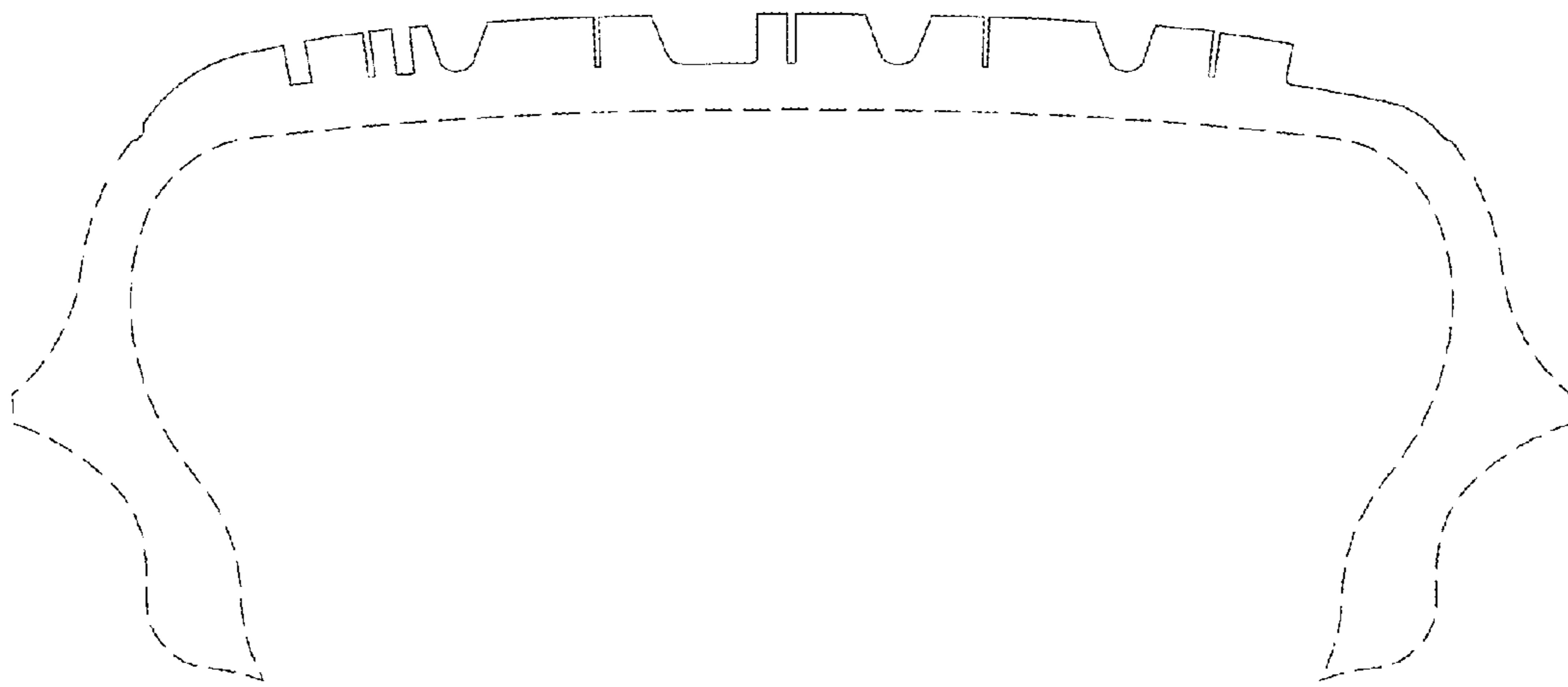


FIG. 5

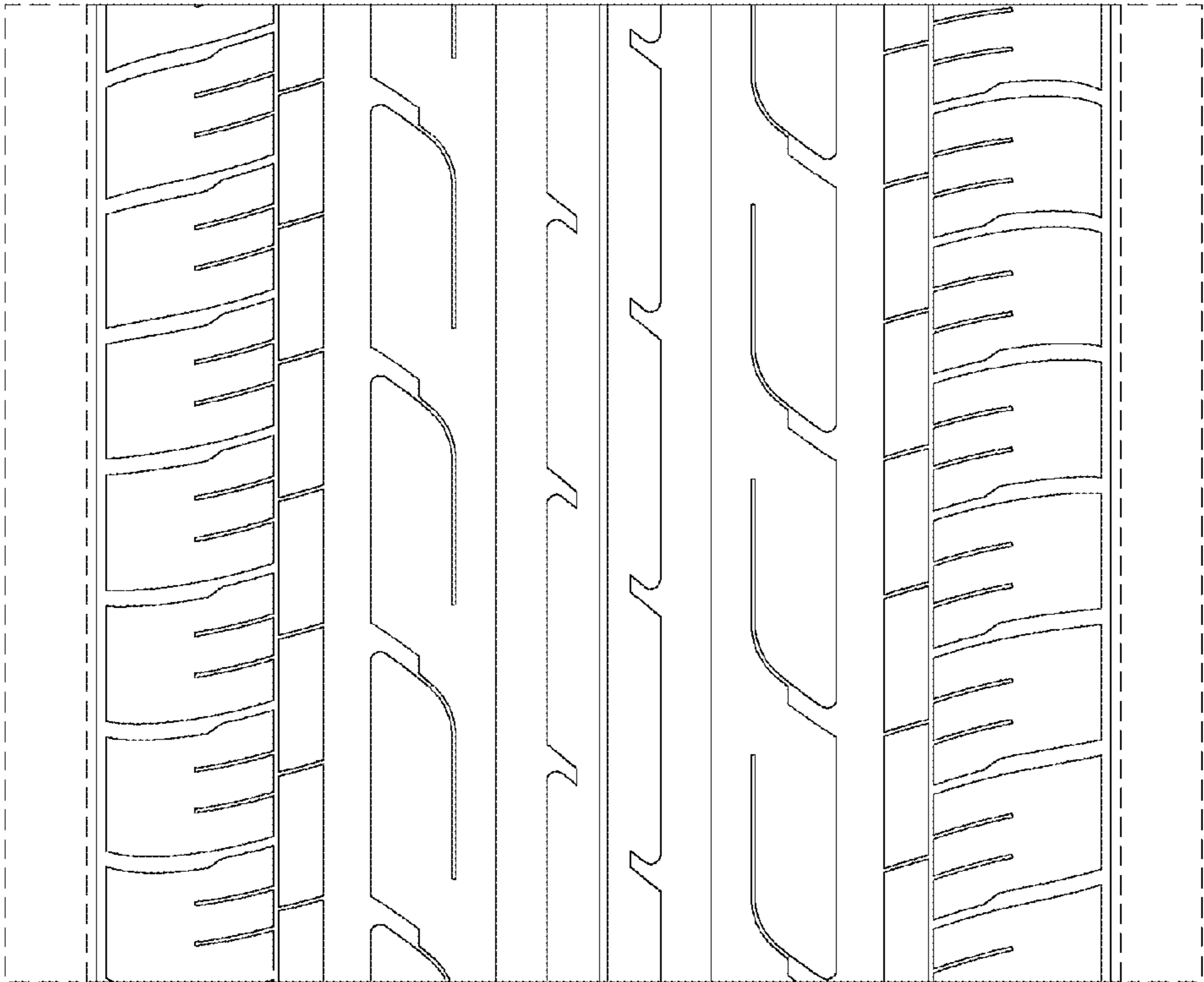


FIG. 6