

US00D767478S

(12) **United States Design Patent**
Fujioka

(10) **Patent No.:** **US D767,478 S**

(45) **Date of Patent:** **** Sep. 27, 2016**

(54) **TIRE**

(71) Applicant: **Toyo Tire & Rubber Co., Ltd.**,
Osaka-shi, Osaka (JP)

(72) Inventor: **Tsuyoshi Fujioka**, Osaka (JP)

(73) Assignee: **Toyo Tire & Rubber Co., Ltd.**, Osaka
(JP)

(**) Term: **15 Years**

(21) Appl. No.: **29/530,958**

(22) Filed: **Jun. 22, 2015**

(30) **Foreign Application Priority Data**

Feb. 26, 2015 (JP) 2015-004049

(51) **LOC (10) Cl.** **12-15**

(52) **U.S. Cl.**
USPC **D12/583**

(58) **Field of Classification Search**
USPC D12/581, 582, 583, 584, 585, 600, 601,
D12/602, 603

CPC B60C 11/03; B60C 11/0344
See application file for complete search history.

(56) **References Cited**

U.S. PATENT DOCUMENTS

D240,723 S * 7/1976 Lejeune D12/602
D483,320 S * 12/2003 Janajreh D12/584

D604,230 S 11/2009 Brown et al.
D690,258 S * 9/2013 Oraison D12/583
D726,643 S * 4/2015 Sato D12/583

* cited by examiner

Primary Examiner — Robert M Spear

(74) *Attorney, Agent, or Firm* — Sterne, Kessler, Goldstein
& Fox P.L.L.C.

(57) **CLAIM**

The ornamental design for a tire, as shown and described.

DESCRIPTION

FIG. 1 is a perspective view of a tire showing my new design;

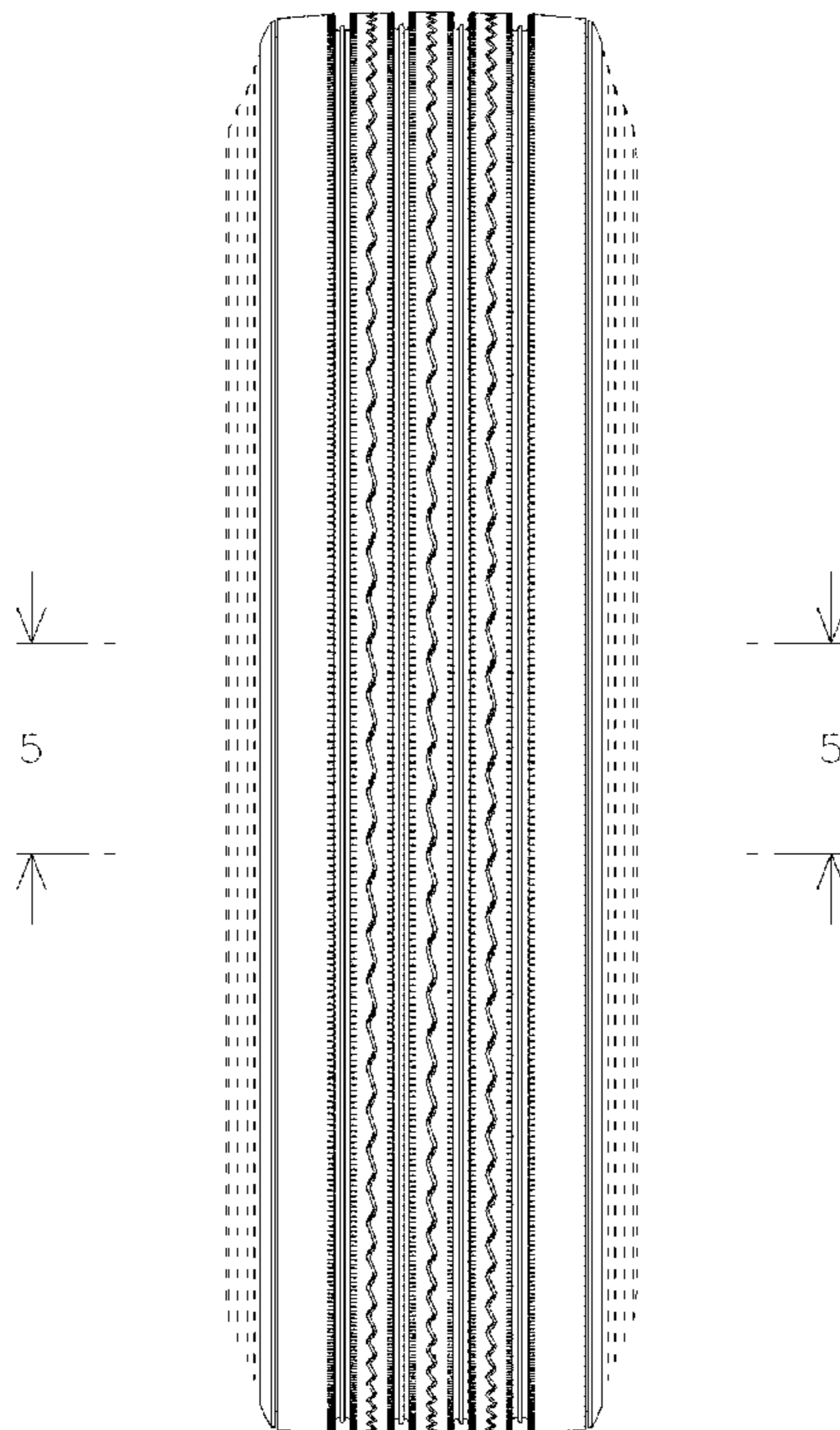
FIG. 2 is a front view thereof, the rear view being the same;
FIG. 3 is a top plan view thereof, the bottom view being the same;

FIG. 4 is a right side view thereof, the left side view being the same;

FIG. 5 is an enlarged view of the portion 5-5 in FIG. 2; and,
FIG. 6 is an enlarged cross-sectional view taken along line 6-6 in FIG. 5.

In the drawings, the broken lines showing portions of the sidewall and inner bead depict portions of the tire that form no part of the claimed design.

1 Claim, 6 Drawing Sheets



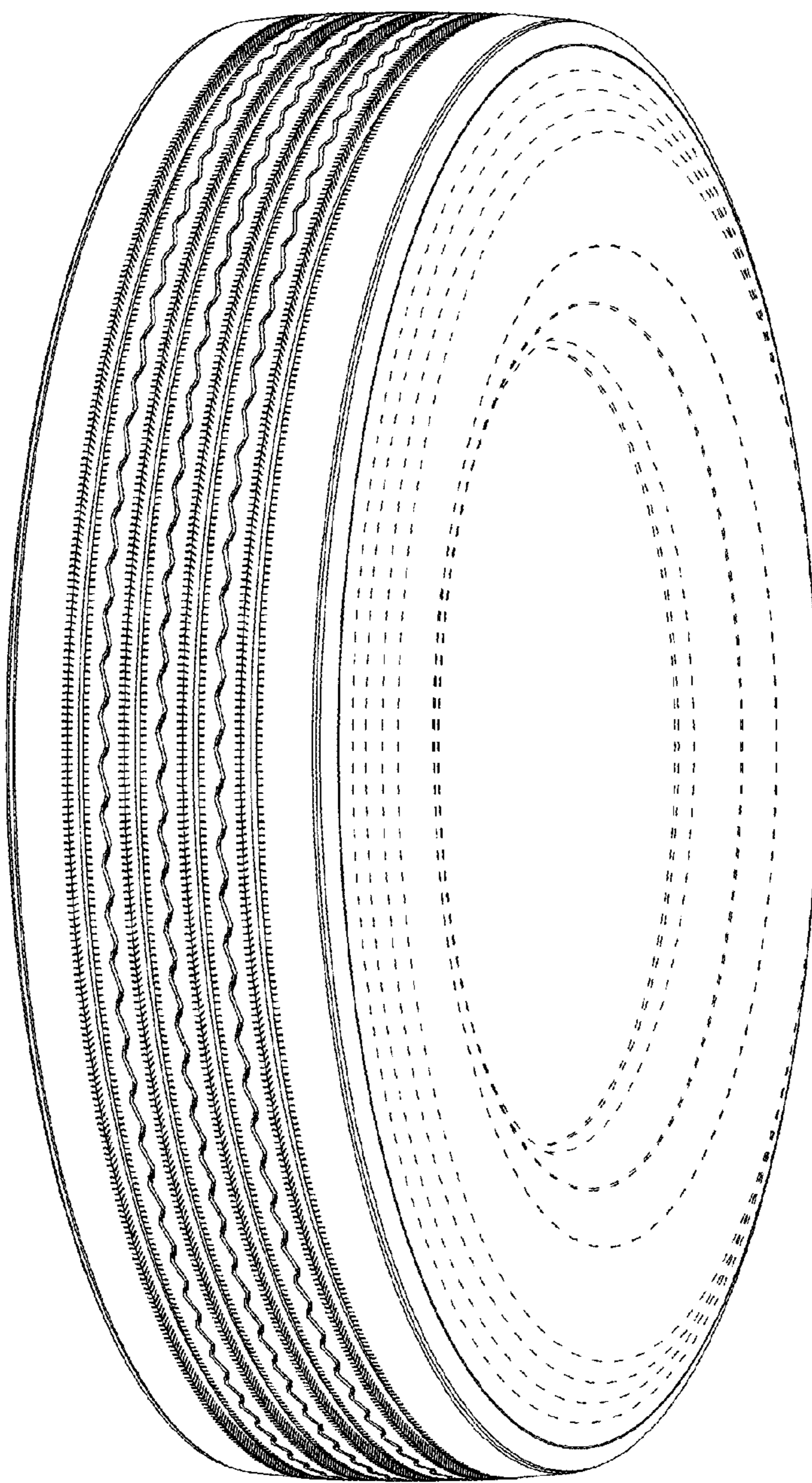


FIG. 1

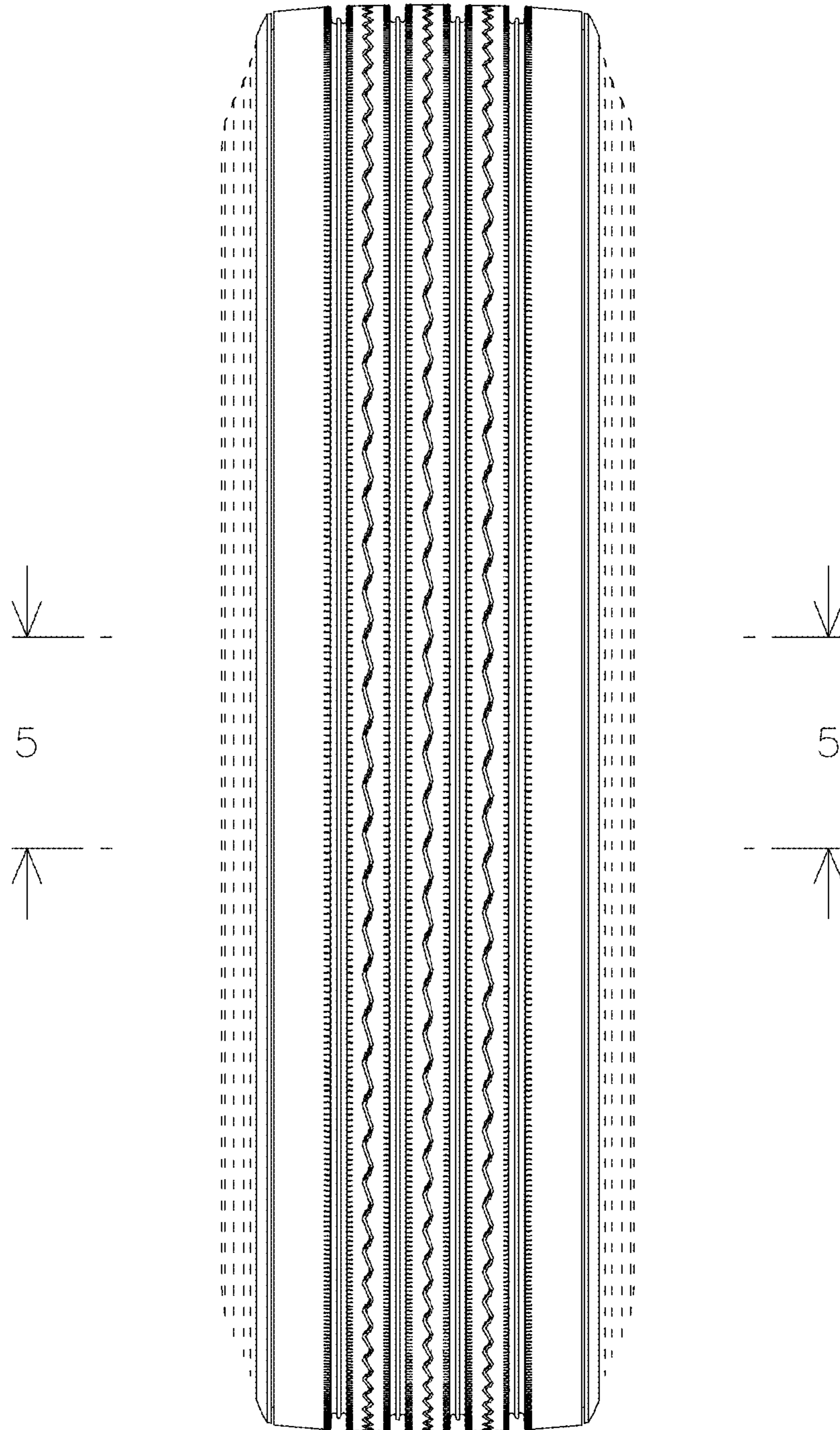


FIG. 2

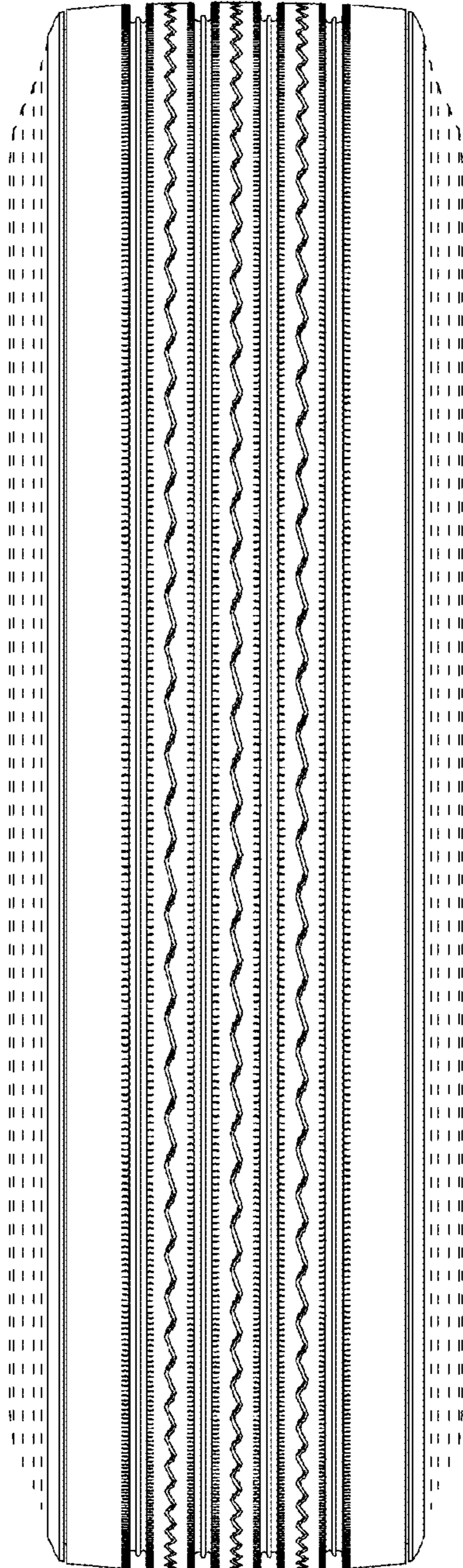


FIG. 3

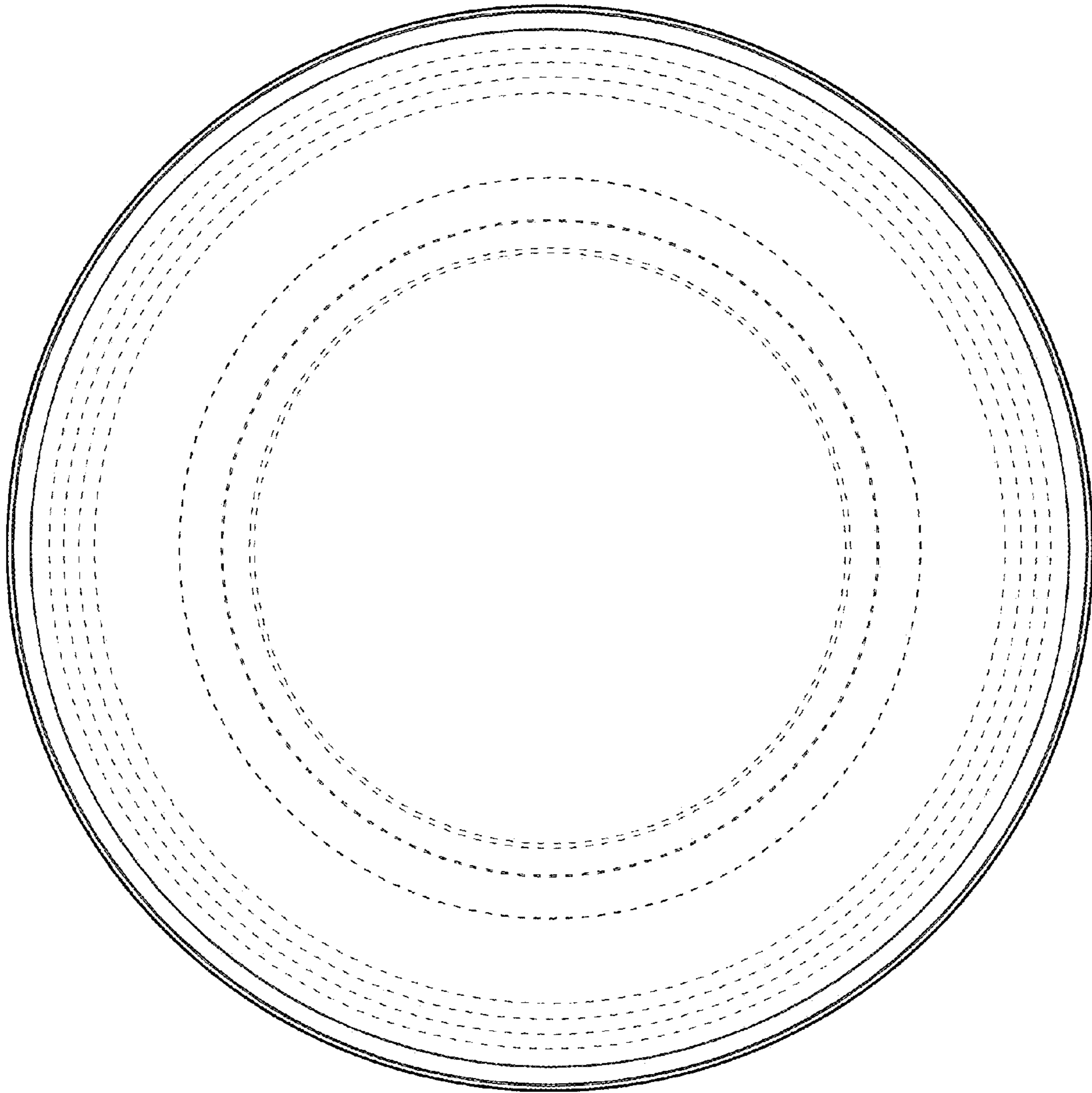


FIG. 4

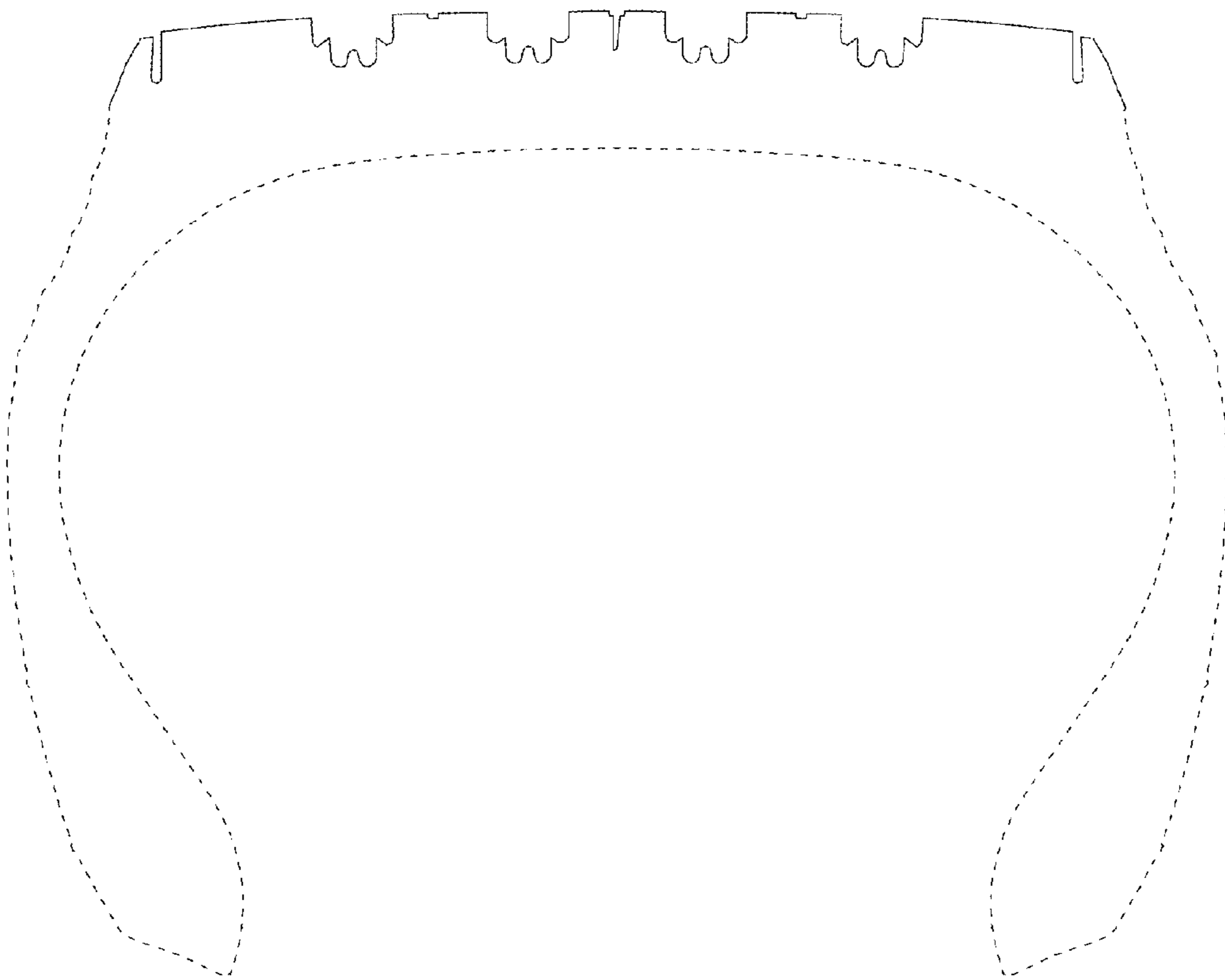


FIG. 6