



US00D767468S

(12) **United States Design Patent**
Stone et al.

(10) **Patent No.:** **US D767,468 S**

(45) **Date of Patent:** **** Sep. 27, 2016**

(54) **AUTOMOBILE WHEEL**

(71) Applicants: **Nicolas Ren Stone**, Royal Oak, MI (US); **Nicholas Vardis**, Sylvan Lake, MI (US); **Mark C Trostle**, Rochester, MI (US)

(72) Inventors: **Nicolas Ren Stone**, Royal Oak, MI (US); **Nicholas Vardis**, Sylvan Lake, MI (US); **Mark C Trostle**, Rochester, MI (US)

(73) Assignee: **FCA US LLC**, Auburn Hills, MI (US)

(**) Term: **15 Years**

(21) Appl. No.: **29/557,453**

(22) Filed: **Mar. 9, 2016**

(51) **LOC (10) Cl.** **12-16**

(52) **U.S. Cl.**
USPC **D12/211**

(58) **Field of Classification Search**
USPC D12/204–213
CPC B60B 7/00; B60B 7/02; B60B 7/04;
B60B 7/01; B60B 7/06; B60B 3/02; B60B 3/04;
B60B 3/06; B60B 3/10; B60B 1/00; B60B 1/08;
B60B 1/10; B60B 1/12
See application file for complete search history.

(56) **References Cited**

U.S. PATENT DOCUMENTS

D402,952 S * 12/1998 Sycha D12/211
D480,676 S * 10/2003 Bhambra D12/211

D484,085 S * 12/2003 Tirado D12/211
D522,952 S * 6/2006 Nakahara D12/211
D530,259 S * 10/2006 Sands D12/211
D553,068 S * 10/2007 Celik D12/211
D572,185 S * 7/2008 Pollmann D12/211
D579,397 S * 10/2008 Osborne D12/211
D614,108 S * 4/2010 Varga D12/211
D680,488 S * 4/2013 Campbell D12/211
D706,198 S * 6/2014 Chung D12/211
D706,701 S * 6/2014 Mays D12/211
D708,112 S * 7/2014 Mays D12/211
D733,027 S * 6/2015 Chung D12/211
D734,705 S * 7/2015 Chung D12/211
D744,932 S * 12/2015 Kobayashi D12/211
D747,255 S * 1/2016 Kobayashi D12/211
D750,004 S * 2/2016 Chung D12/211
D758,948 S * 6/2016 Trpinac D12/211

* cited by examiner

Primary Examiner — Stacia Cadmus

(74) *Attorney, Agent, or Firm* — Ralph E Smith

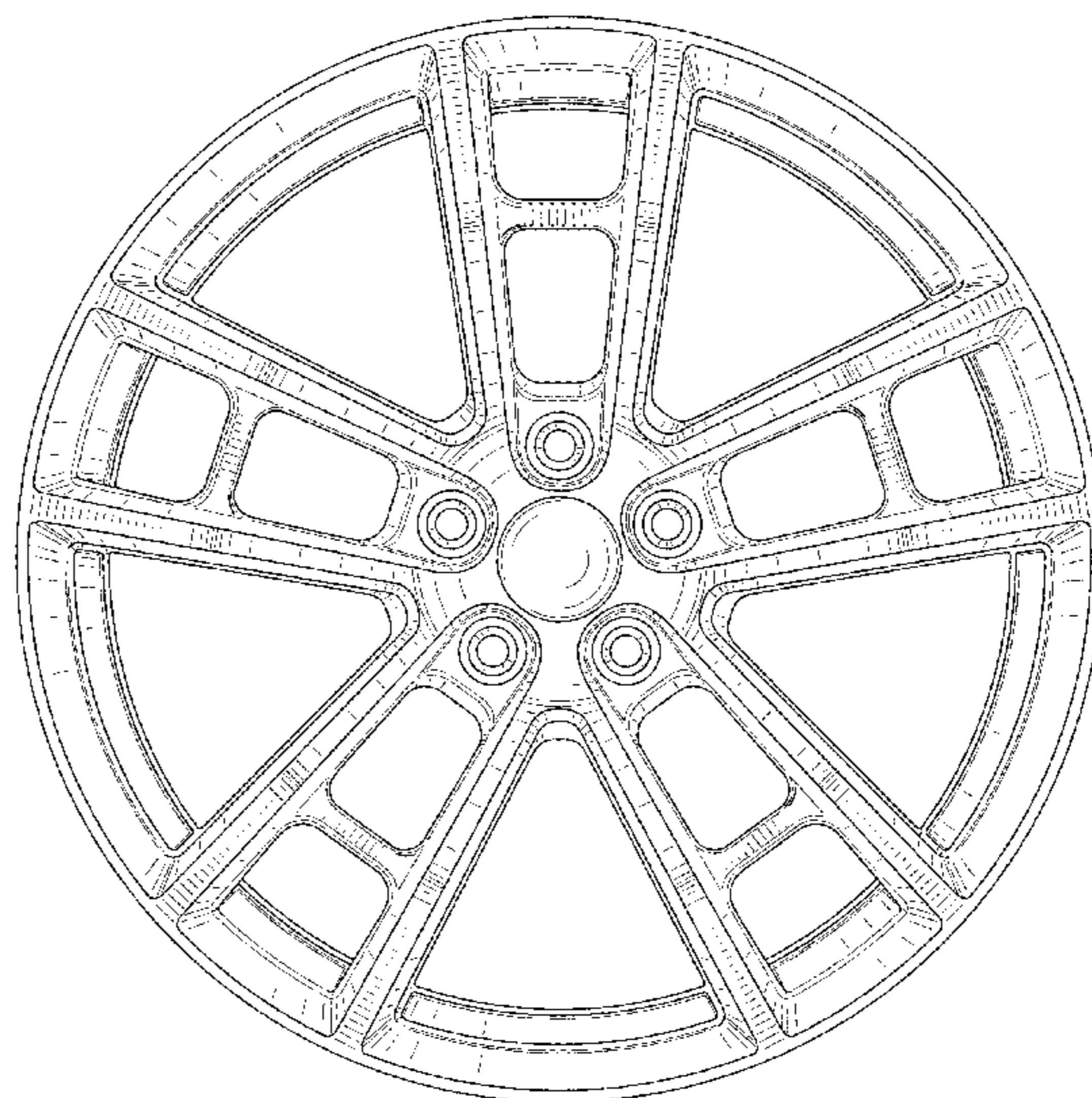
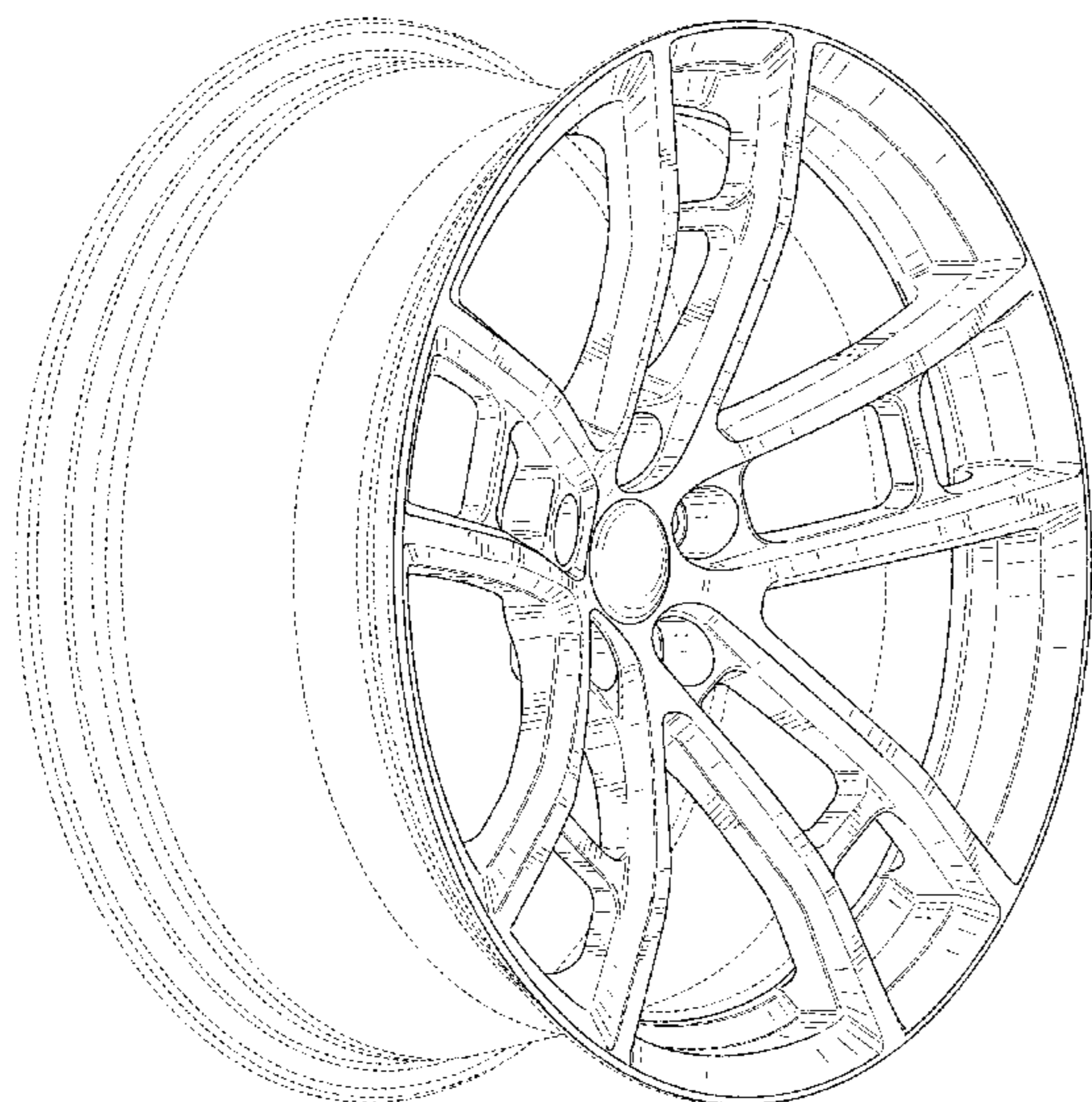
(57) **CLAIM**

The ornamental design for an automobile wheel, as shown and described.

DESCRIPTION

FIG. 1 is a left perspective view of an automobile wheel showing our new design; FIG. 2 is a front view thereof; and, FIG. 3 is a right perspective view. It will be understood that the broken lines shown in the drawings illustrate portions of the automobile wheel that form no part of claimed design.

1 Claim, 3 Drawing Sheets



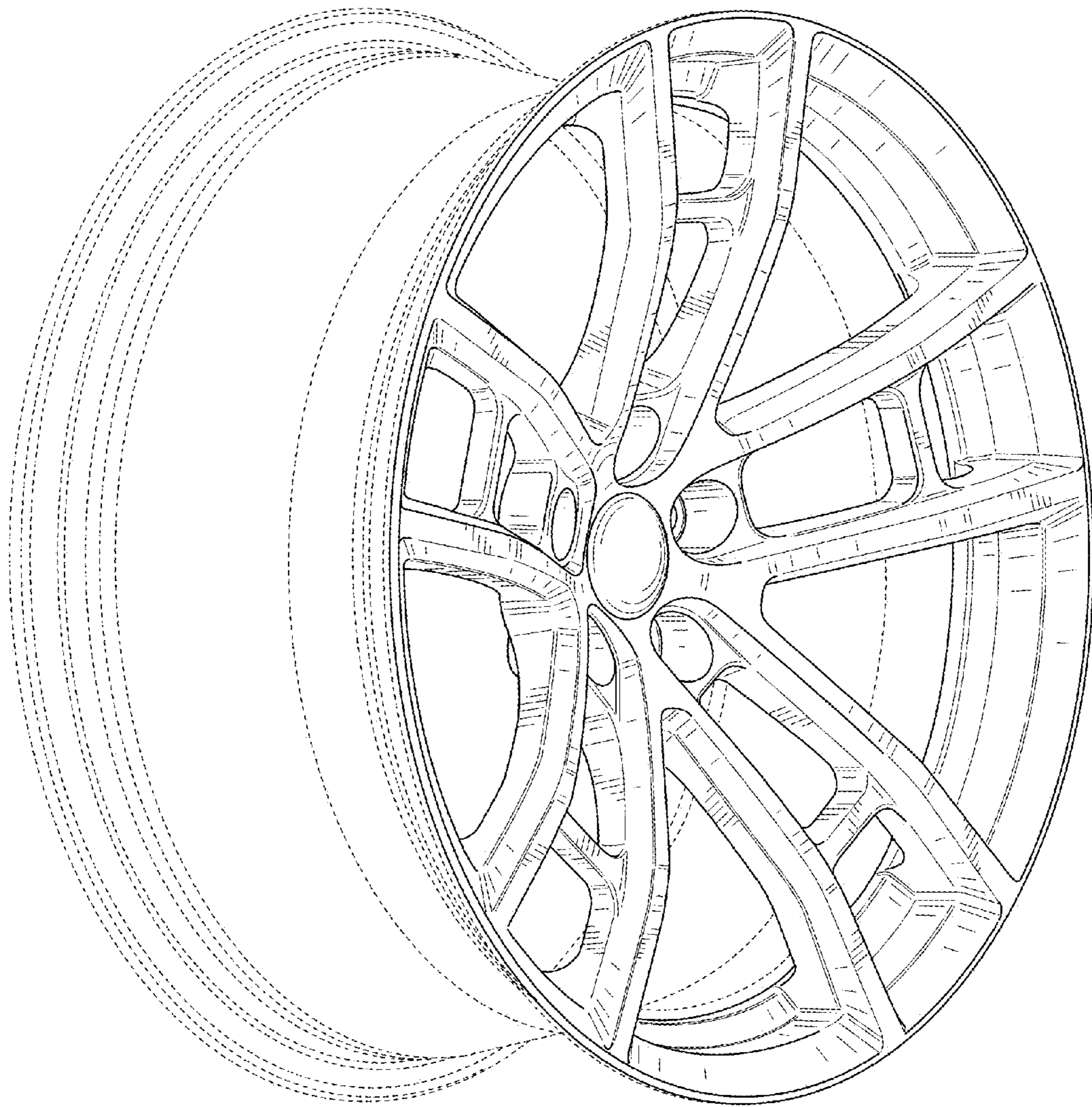


FIG. 1

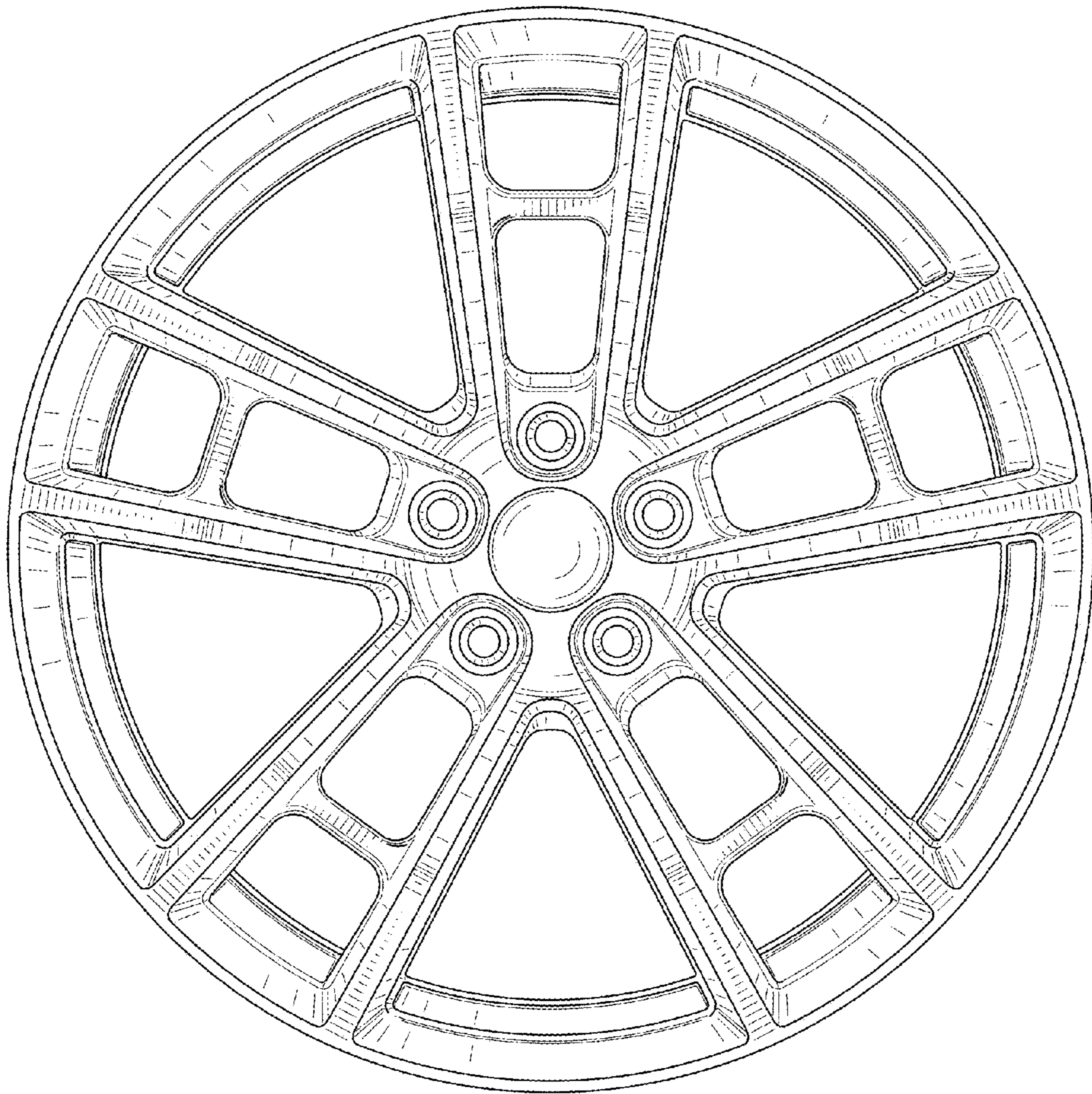


FIG. 2

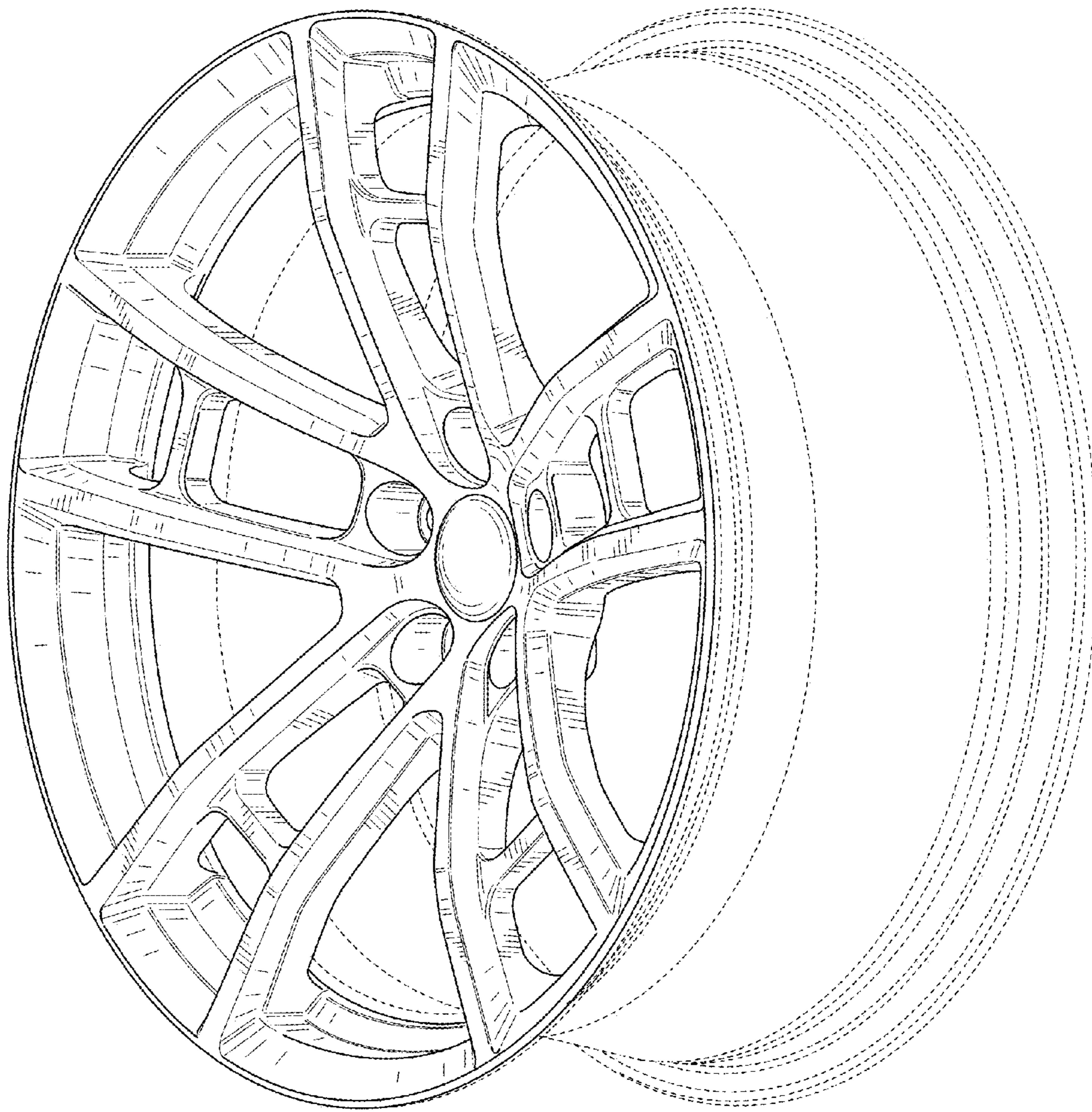


FIG. 3