



US00D767467S

(12) **United States Design Patent** (10) **Patent No.:** **US D767,467 S**  
**Davidson et al.** (45) **Date of Patent:** **\*\* Sep. 27, 2016**

(54) **WHEEL**  
(71) Applicants: **Benjamin R. Davidson**, Torrance, CA (US); **Joseph Park**, Torrance, CA (US)  
(72) Inventors: **Benjamin R. Davidson**, Torrance, CA (US); **Joseph Park**, Torrance, CA (US)  
(73) Assignee: **HONDA MOTOR CO., LTD.**, Tokyo (JP)

(\*\*) Term: **14 Years**

(21) Appl. No.: **29/509,585**

(22) Filed: **Nov. 19, 2014**

(51) **LOC (10) Cl.** ..... **12-16**

(52) **U.S. Cl.**  
USPC ..... **D12/211**

(58) **Field of Classification Search**  
USPC ..... D12/204–213  
CPC ..... B60B 7/00; B60B 7/02; B60B 7/04; B60B 7/01; B60B 7/06; B60B 3/02; B60B 3/04; B60B 3/06; B60B 3/10; B60B 1/00; B60B 1/08; B60B 1/10; B60B 1/12  
See application file for complete search history.

(56) **References Cited**

U.S. PATENT DOCUMENTS

D311,896 S	11/1990	Mori	
D397,664 S	9/1998	Kulla	
D456,335 S *	4/2002	Chung	D12/211
D480,348 S *	10/2003	Donikoglu	D12/211
D493,761 S *	8/2004	Kang	D12/211
D503,918 S *	4/2005	Fahr-Becker	D12/211
D507,517 S *	7/2005	Kushartanto	D12/209
D515,490 S *	2/2006	Pfeiffer	D12/209
D528,060 S *	9/2006	Laengerer	D12/209
D530,657 S *	10/2006	Pfeiffer	D12/211
D531,565 S *	11/2006	Pfeiffer	D12/211
D540,240 S *	4/2007	Kountouras	D12/211
D548,161 S *	8/2007	Young	D12/209

D573,081 S *	7/2008	Kim	D12/211
D575,718 S *	8/2008	Pfeiffer	D12/211
D582,333 S *	12/2008	Pfeiffer	D12/211
D587,178 S *	2/2009	Pfeiffer	D12/209
D587,180 S *	2/2009	Pfeiffer	D12/209
D590,321 S *	4/2009	Rak	D12/211
D590,322 S *	4/2009	Rak	
D593,919 S *	6/2009	Pfeiffer	D12/209
D594,802 S *	6/2009	Gustafsson	D12/211

(Continued)

FOREIGN PATENT DOCUMENTS

JP	D1404463	1/2011
TW	D142420	9/2011

(Continued)

OTHER PUBLICATIONS

Taiwan IPO Search Report; Taiwan Design Patent Application No. 104302656; Date of Completion of Search: Oct. 6, 2015.

(Continued)

*Primary Examiner* — Stacia Cadmus

(74) *Attorney, Agent, or Firm* — Pearne & Gordon LLP

(57) **CLAIM**

The ornamental design for a wheel, as shown and described.

**DESCRIPTION**

FIG. 1 is a perspective view of a wheel showing our new invention;

FIG. 2 is a front view thereof;

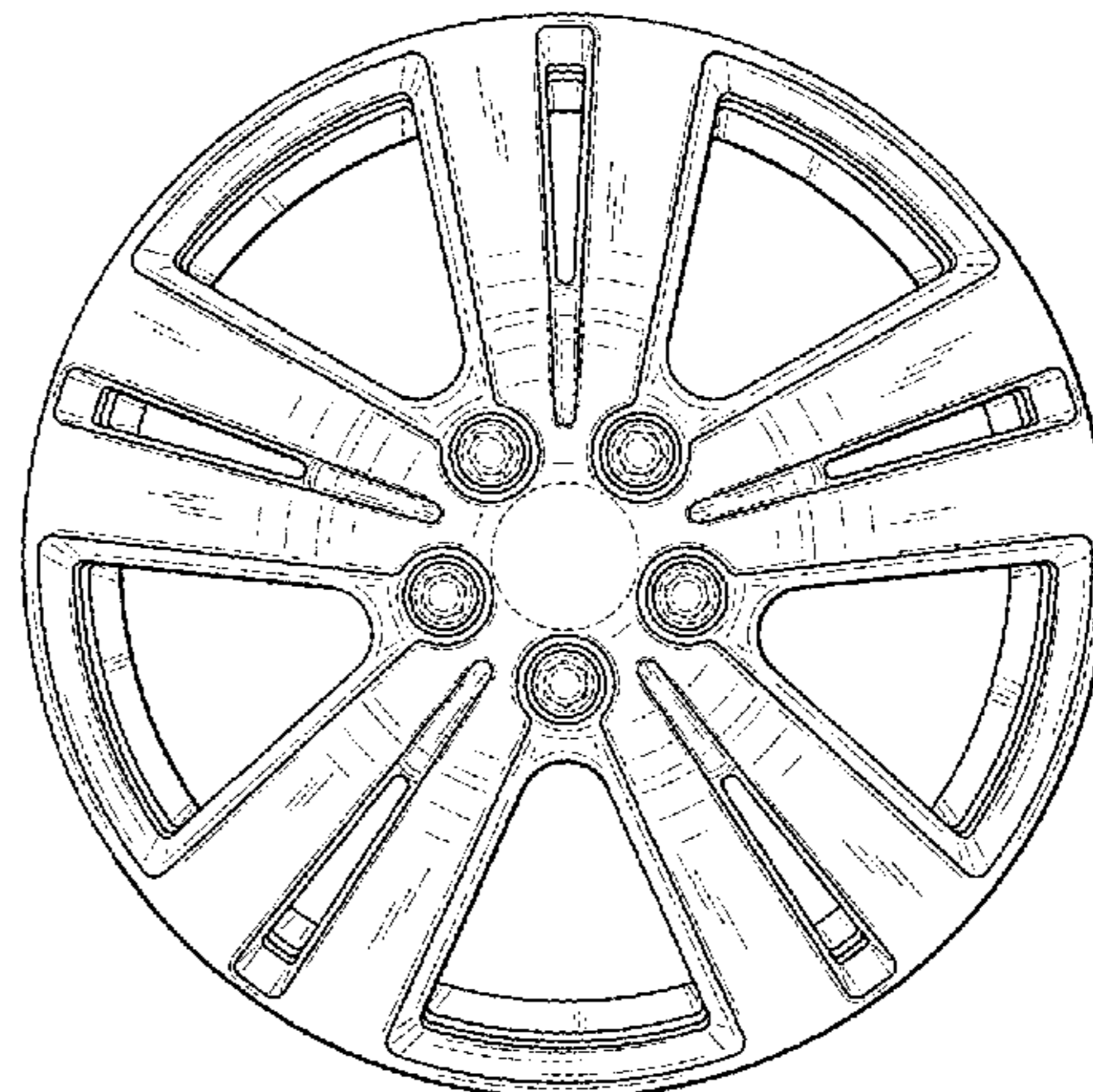
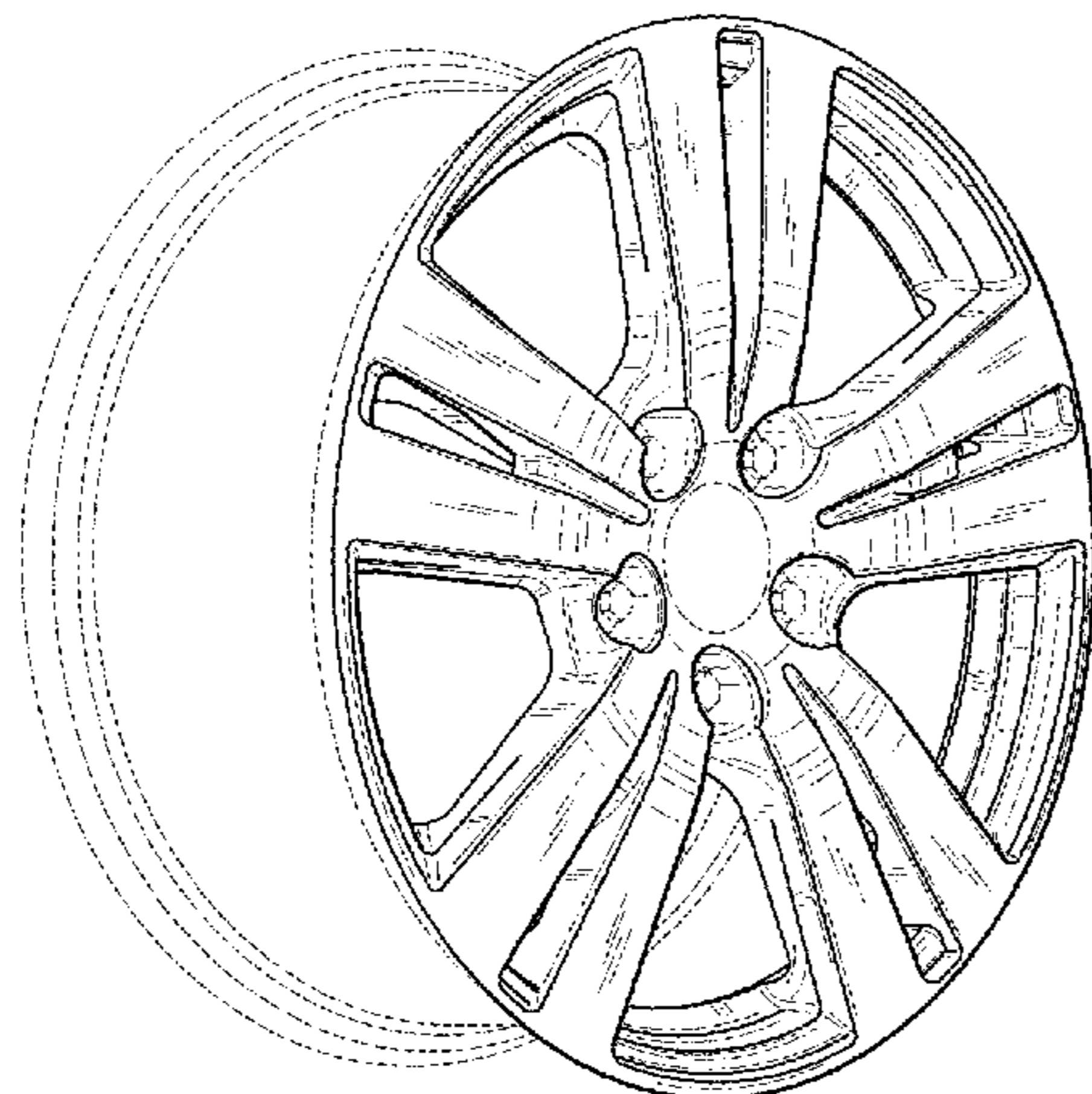
FIG. 3 is a right side view thereof, a left side view being a mirror image thereof;

FIG. 4 is a top view thereof; and,

FIG. 5 is a bottom view thereof.

The broken line showing of the rear portion of the wheel, the bolts and the center hole is included for the purpose of illustrating environment and forms no part of the claimed design.

**1 Claim, 2 Drawing Sheets**



(56)

**References Cited**

U.S. PATENT DOCUMENTS

D613,656 S \* 4/2010 Antoniadis ..... D12/209  
D615,018 S \* 5/2010 Truebsbach ..... D12/211  
D641,679 S \* 7/2011 Vardis ..... D12/211  
D654,006 S 2/2012 Baum  
D655,657 S 3/2012 Juergens et al.  
D666,958 S 9/2012 Suzuki  
D677,209 S \* 3/2013 Kono ..... D12/211  
D678,164 S 3/2013 Badstuebner  
D686,132 S 7/2013 Truebsbach  
D686,134 S 7/2013 Amezketa  
D691,081 S 10/2013 Watkin  
D695,186 S 12/2013 Pollmann  
D704,120 S \* 5/2014 Feuerherdt ..... D12/211

D708,110 S 7/2014 Borkert et al.  
D710,286 S 8/2014 Yamaguchi  
D727,232 S \* 4/2015 Frei ..... D12/209

FOREIGN PATENT DOCUMENTS

TW D148276 7/2012  
TW D155059 8/2013  
TW D156809 S 11/2013

OTHER PUBLICATIONS

Taiwan IPO Search Report; Taiwan Design Patent Application No. 104302656; Date of Completion of Search: May 19, 2016.

\* cited by examiner

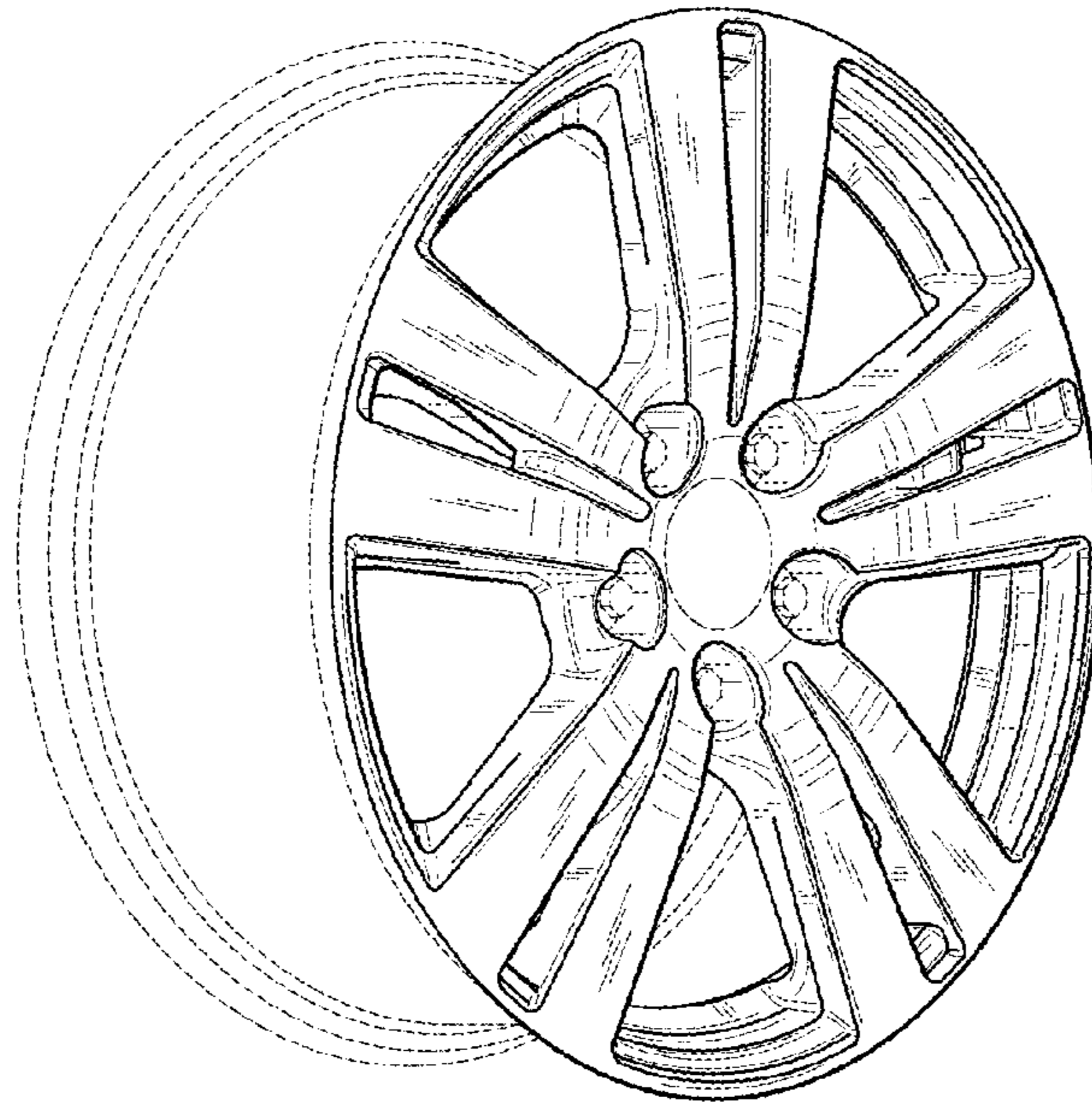


FIG. 1

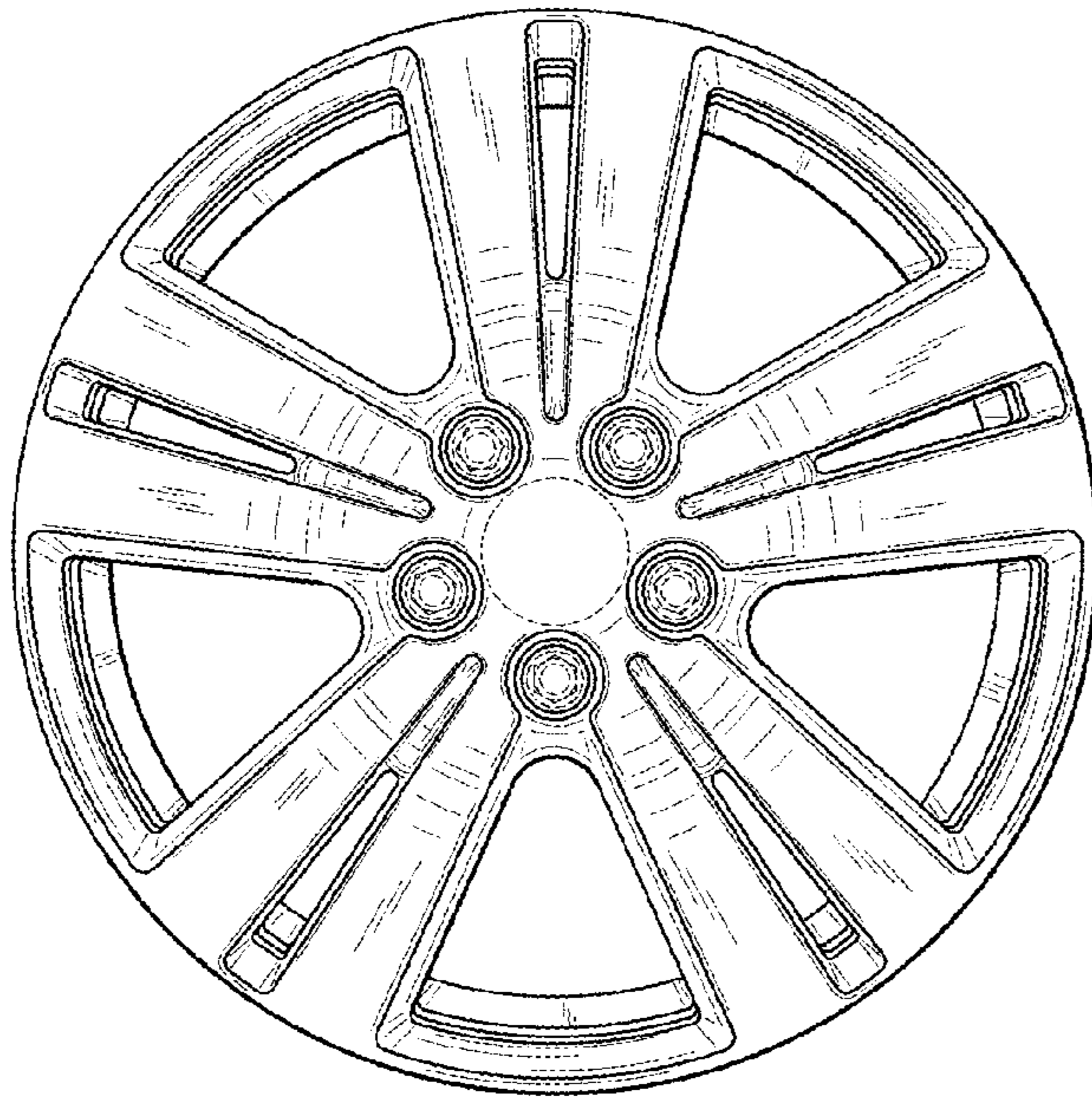


FIG. 2

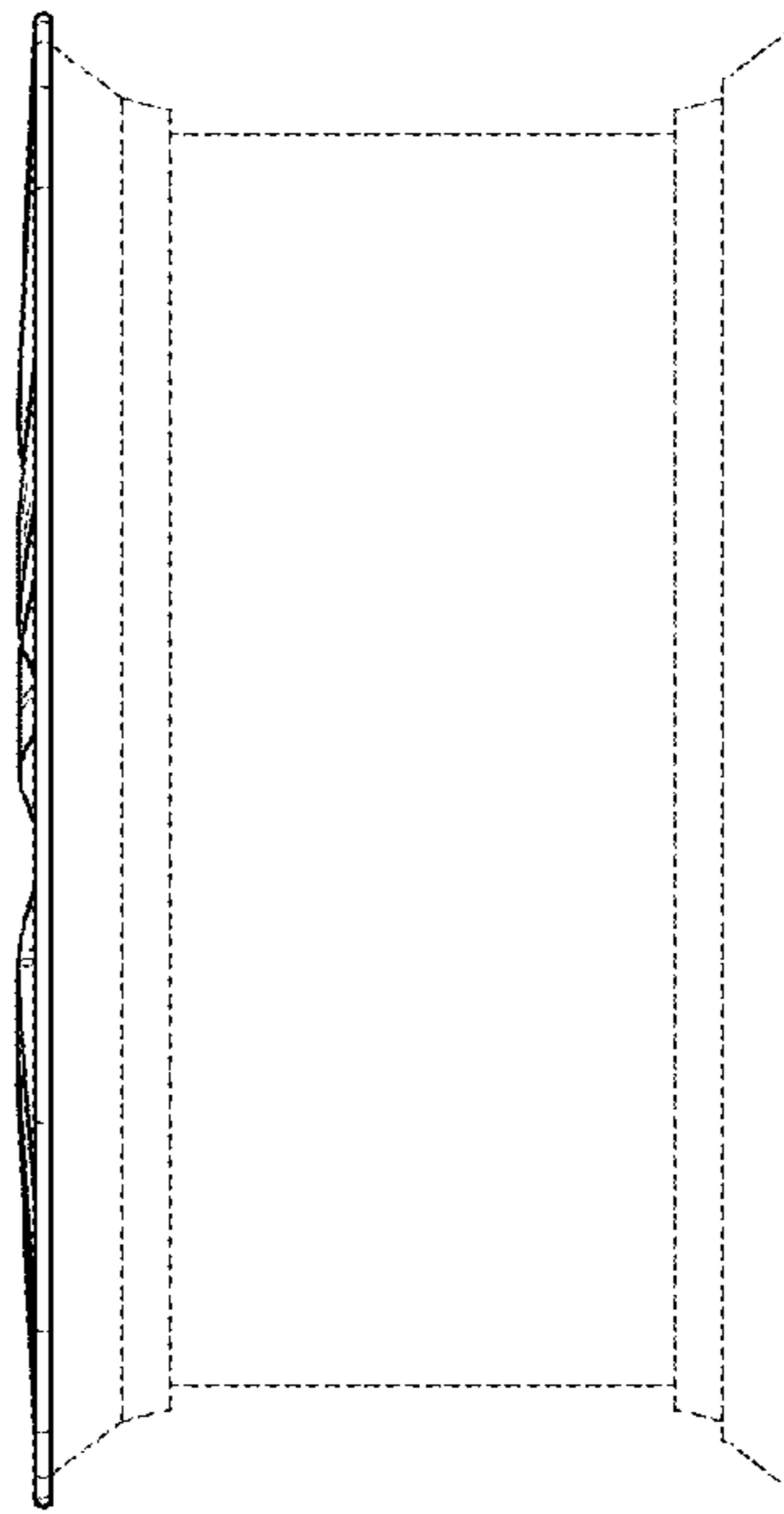


FIG. 3

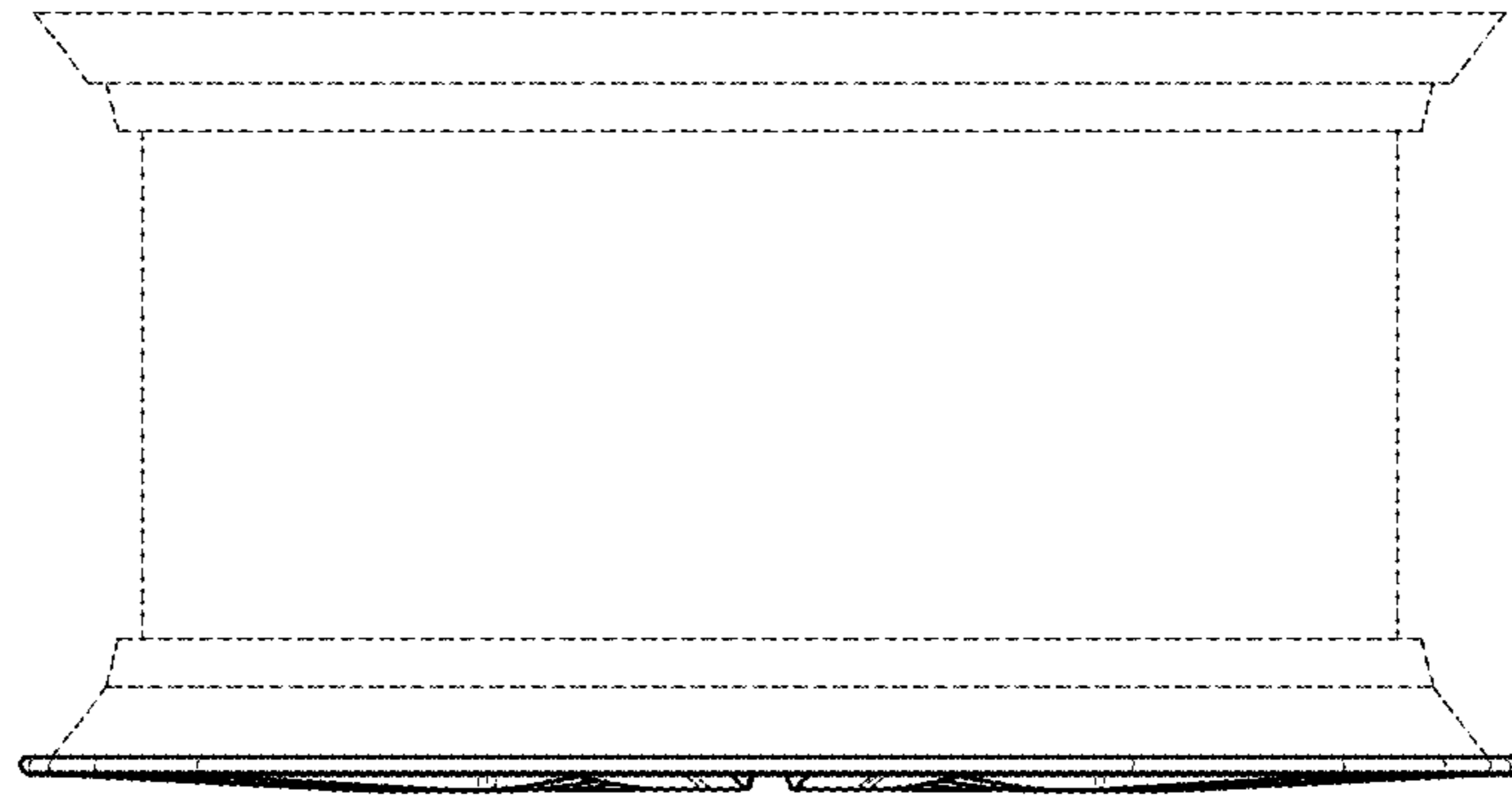


FIG. 4

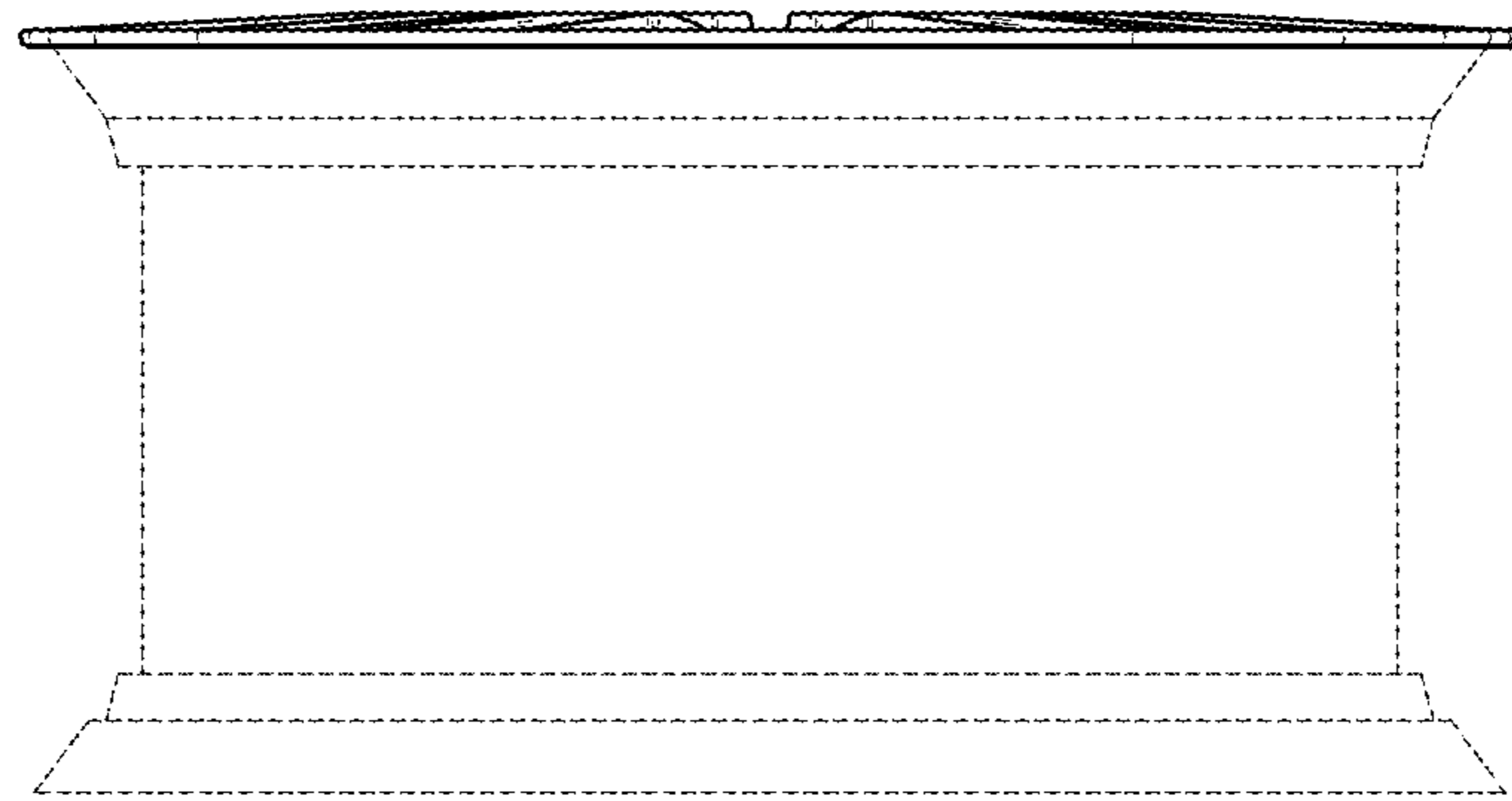


FIG. 5