



US00D767465S

(12) **United States Design Patent**
Liffick

(10) **Patent No.:** **US D767,465 S**

(45) **Date of Patent:** **** Sep. 27, 2016**

(54) **VEHICLE WHEEL**

(71) Applicant: **Quarsa, LLC**, Chino, CA (US)

(72) Inventor: **Fenton Liffick**, Anaheim Hills, CA (US)

(73) Assignee: **PRESTIGE AUTOTECH CORPORATION**, Chino, CA (US)

(**) Term: **15 Years**

(21) Appl. No.: **29/541,276**

(22) Filed: **Oct. 1, 2015**

(51) **LOC (10) Cl.** **12-16**

(52) **U.S. Cl.**
USPC **D12/209**

(58) **Field of Classification Search**
USPC D12/204–213
CPC B60B 7/00; B60B 7/02; B60B 7/04;
B60B 7/01; B60B 7/06; B60B 3/02; B60B
3/04; B60B 3/06; B60B 3/10; B60B 1/00;
B60B 1/08; B60B 1/10; B60B 1/12
See application file for complete search history.

(56) **References Cited**

U.S. PATENT DOCUMENTS

D376,573 S * 12/1996 Niles D12/211
D377,641 S * 1/1997 Niles D12/211

D554,036 S *	10/2007	Chung	D12/209
D584,673 S *	1/2009	Chung	D12/209
D613,658 S *	4/2010	Cortes	D12/209
D652,362 S *	1/2012	Lucaora	D12/209
D680,047 S *	4/2013	Hale, Jr.	D12/209
D686,961 S *	7/2013	Chung	D12/209
D695,181 S *	12/2013	Kong	D12/209
D695,182 S *	12/2013	Chung	D12/209
D695,666 S *	12/2013	Chung	D12/209
D709,428 S *	7/2014	Chung	D12/209
D714,202 S *	9/2014	Kim	D12/209
D718,203 S *	11/2014	Whyte	D12/209
D719,890 S *	12/2014	Johnson	D12/209
D726,621 S *	4/2015	Alfonso	D12/209

* cited by examiner

Primary Examiner — Stacia Cadmus

(74) *Attorney, Agent, or Firm* — Snell & Wilmer LLP

(57) **CLAIM**

I claim the ornamental design for a vehicle wheel, as shown and described.

DESCRIPTION

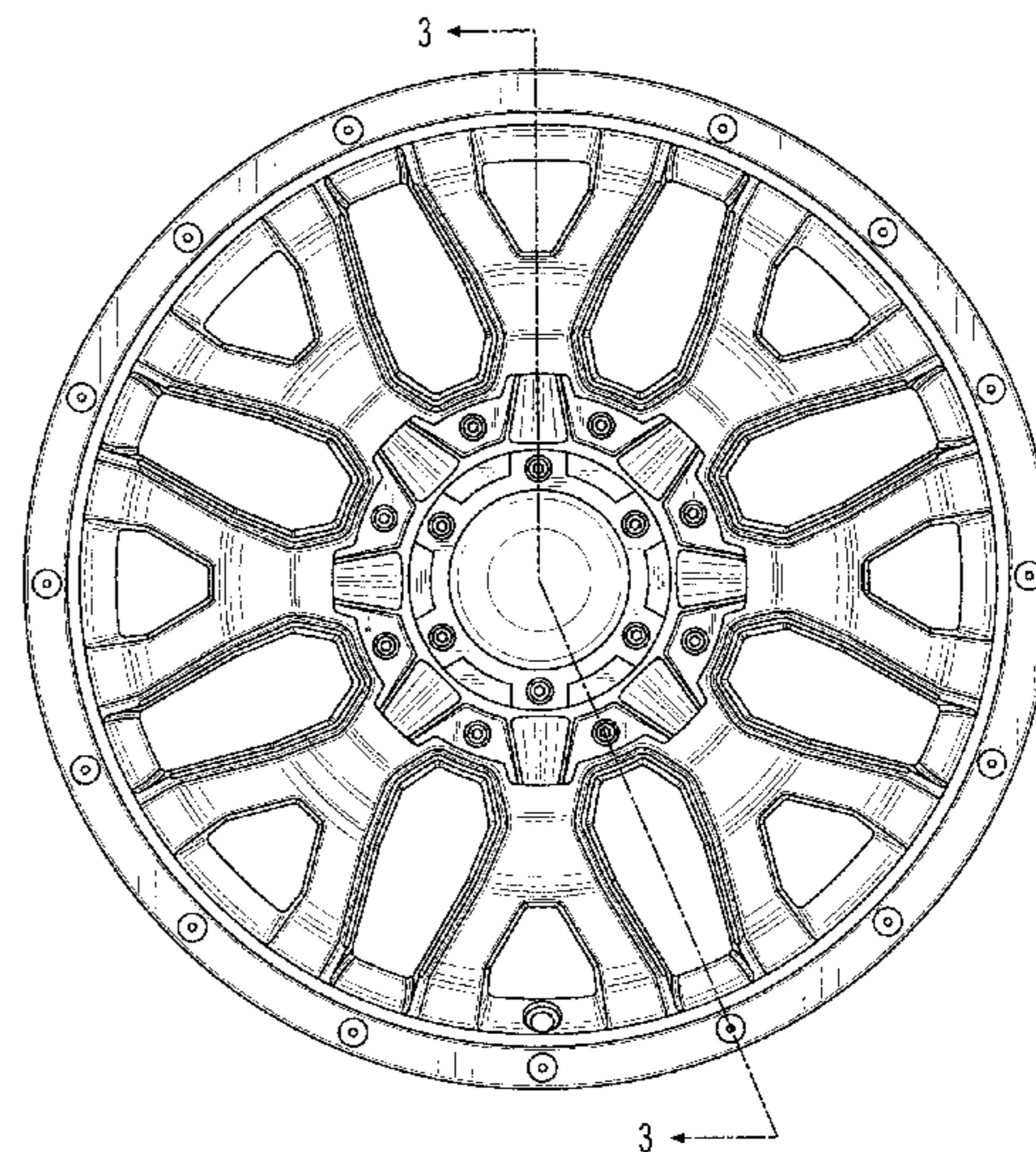
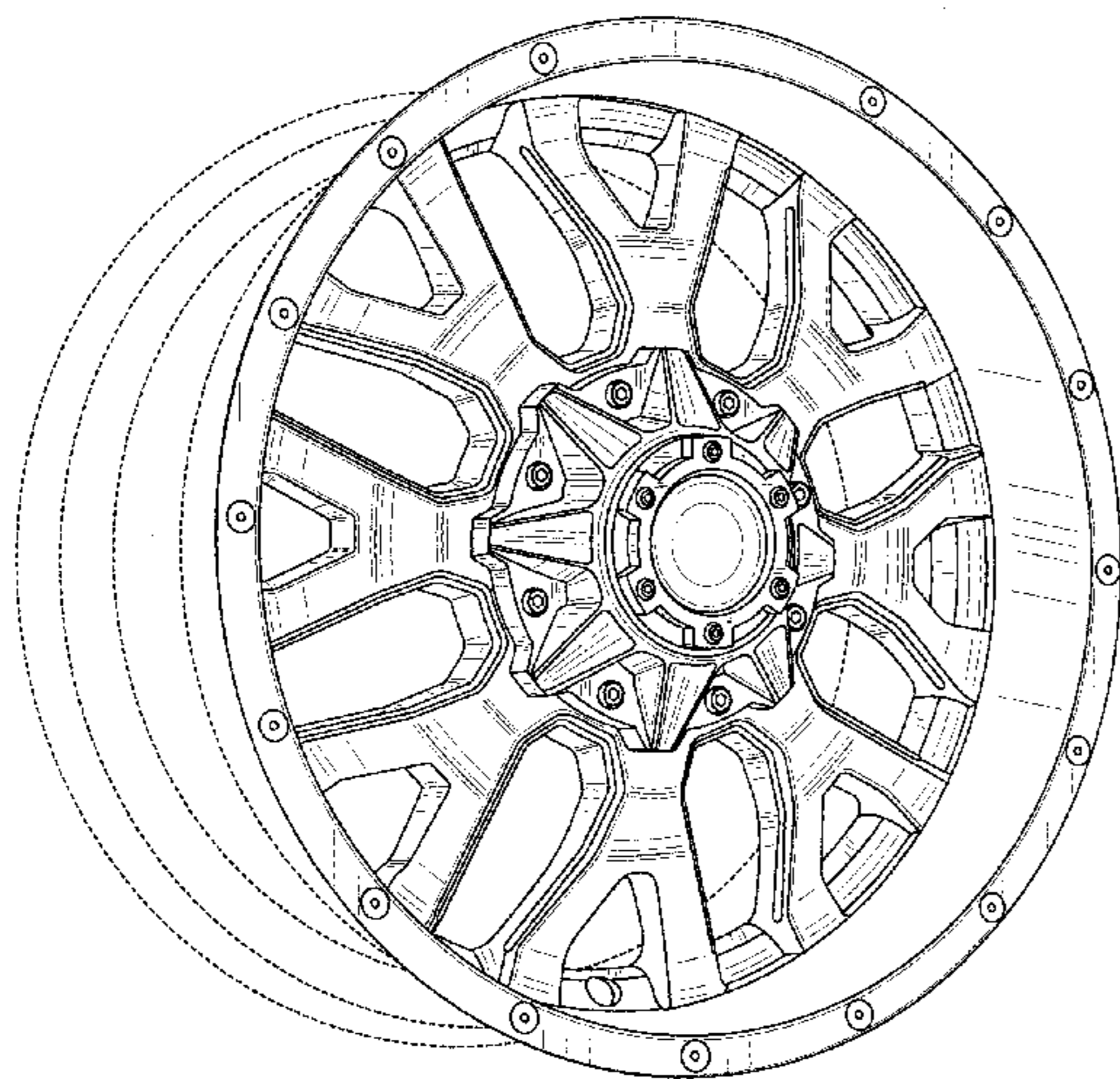
FIG. 1 is a perspective view of the vehicle wheel showing my new design;

FIG. 2 is a front view of the vehicle wheel; and,

FIG. 3 is a cross-sectional view taken along the line 3-3 of FIG. 2.

The broken lines showing portions of the vehicle wheel are for illustrative purposes only and form no part of the claimed design.

1 Claim, 3 Drawing Sheets



3

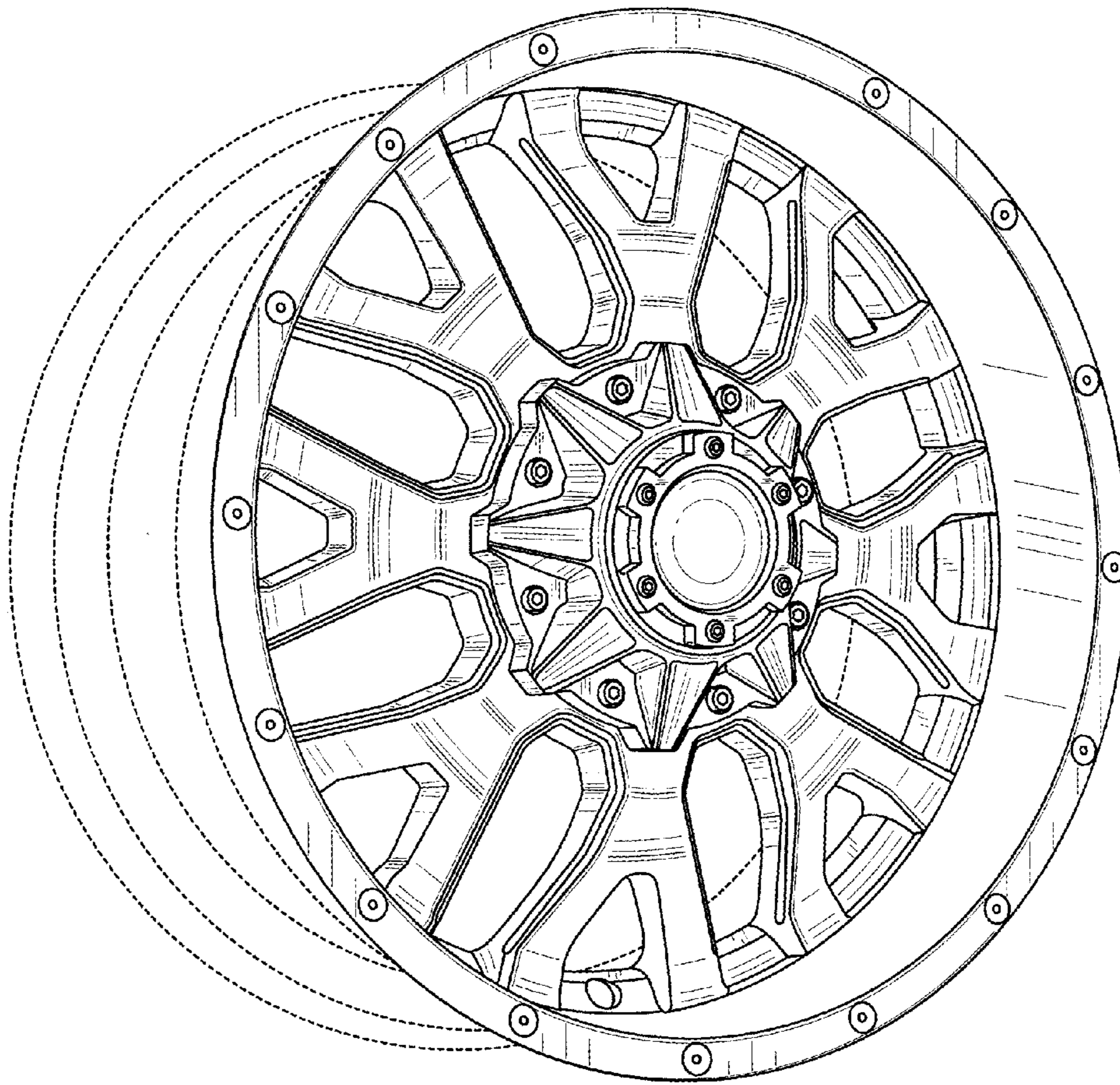


FIG. 1

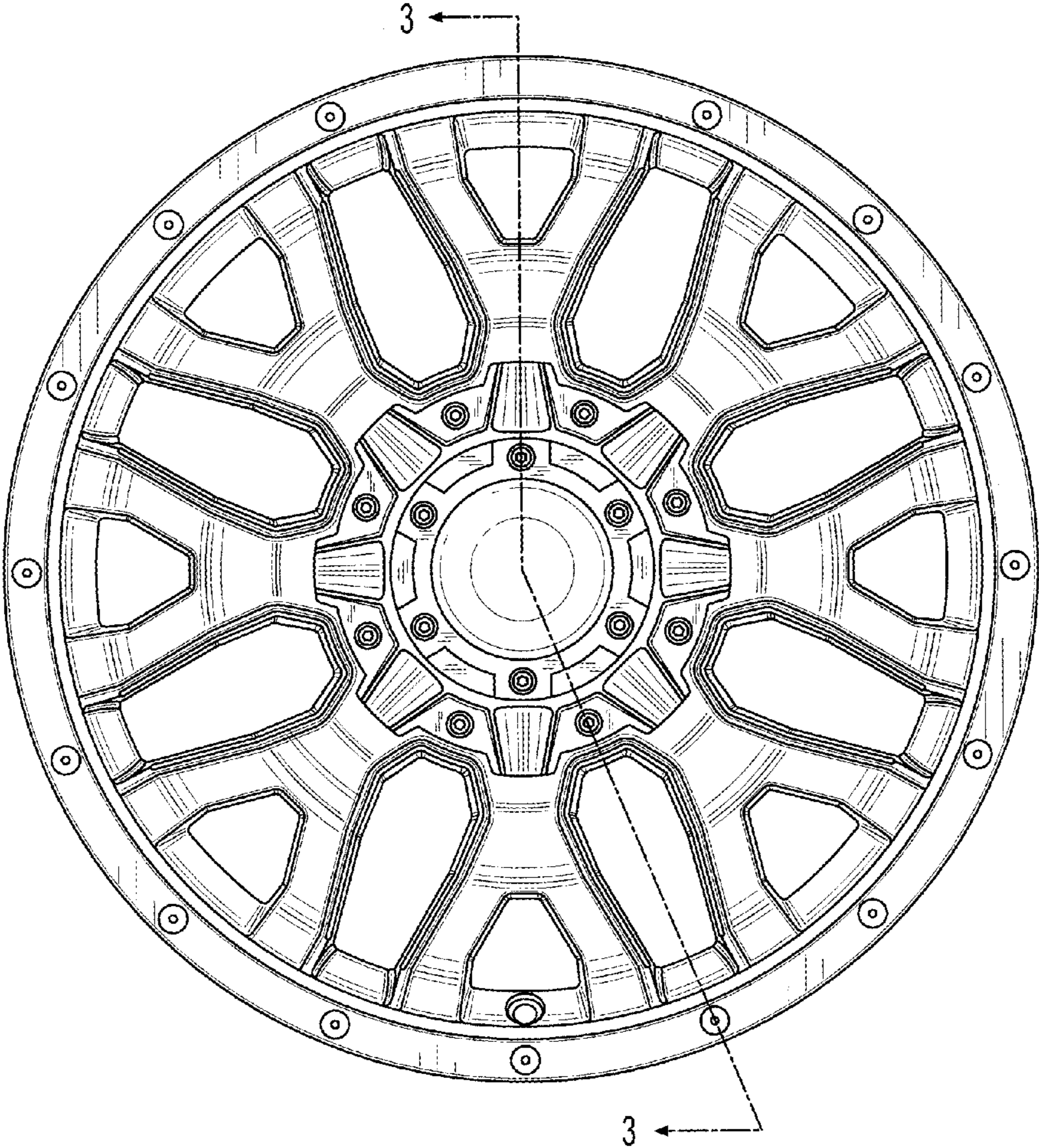


FIG. 2

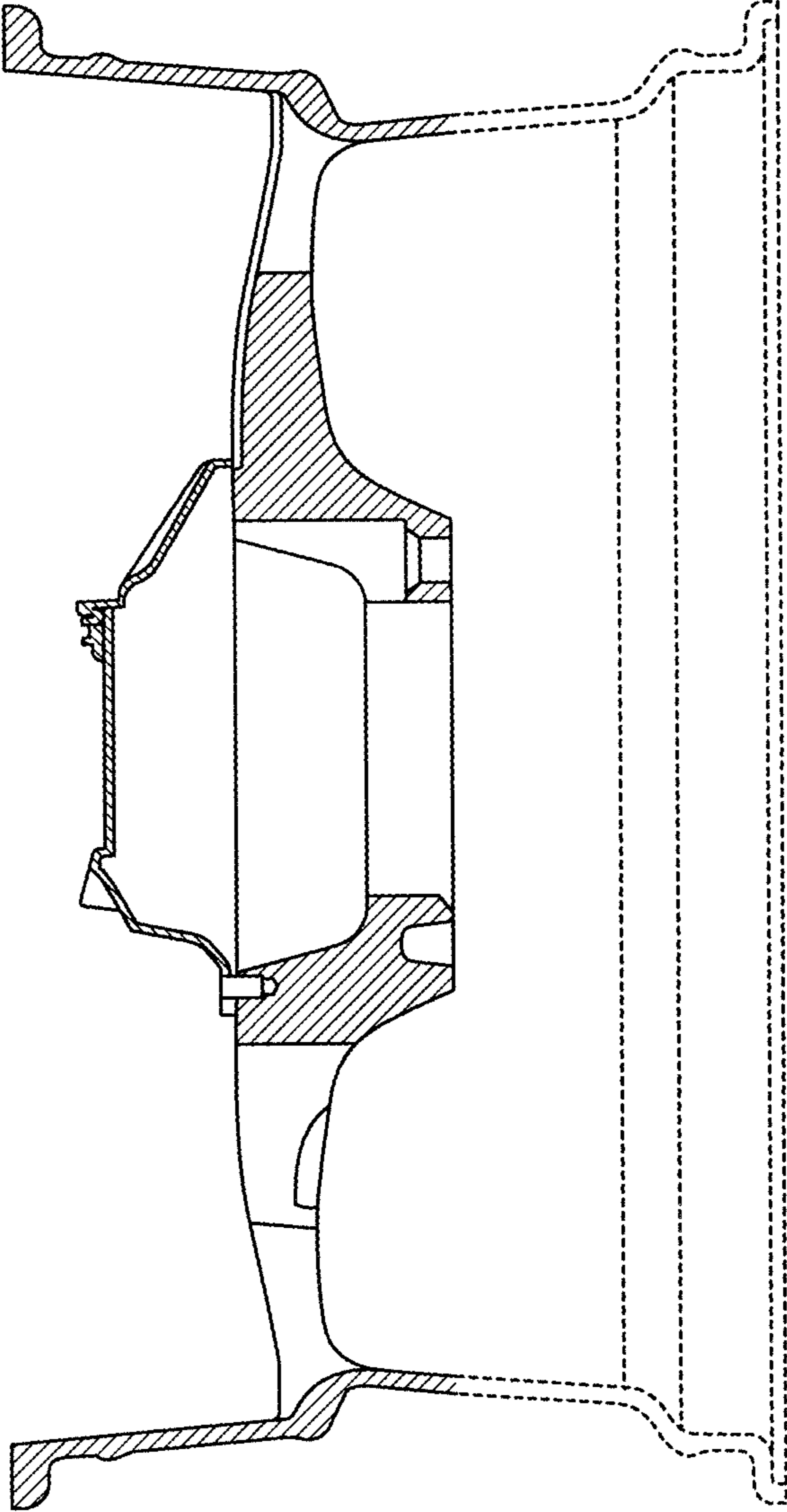


FIG. 3