



US00D767461S

(12) **United States Design Patent**
Kozub et al.

(10) **Patent No.:** **US D767,461 S**
(45) **Date of Patent:** **** Sep. 27, 2016**

(54) **VEHICLE DECKLID**
(71) Applicant: **GM GLOBAL TECHNOLOGY OPERATIONS LLC**, Detroit, MI (US)
(72) Inventors: **Timothy P. Kozub**, Troy, MI (US); **Stuart Cooper**, Bloomfield Hills, MI (US); **Jonghyuk Park**, Troy, MI (US)
(73) Assignee: **GM Global Technology Operations LLC**, Detroit, MI (US)

D608,690 S 1/2010 Folden et al.
D608,691 S 1/2010 Zak, Jr. et al.
D609,608 S 2/2010 Boniface et al.
7,654,604 B2* 2/2010 Eichhorst B60J 7/0573
296/107.08
D611,387 S 3/2010 Thompson et al.
D611,879 S 3/2010 Kim et al.
D612,297 S 3/2010 Peters et al.
D613,645 S 4/2010 Song et al.
D615,458 S 5/2010 Thompson et al.
D618,595 S 6/2010 Ware et al.
D623,090 S 9/2010 Cox et al.
D627,262 S 11/2010 Ikeda et al.
D635,488 S 4/2011 Phipps
D644,147 S 8/2011 Suh et al.
D644,567 S 9/2011 Kozub
D657,718 S 4/2012 Zipfel et al.
D659,052 S 5/2012 Ware et al.
D659,053 S 5/2012 Ware et al.
D668,182 S 10/2012 Franco et al.
D668,183 S 10/2012 Smart
D678,820 S 3/2013 Son et al.

(**) Term: **15 Years**

(21) Appl. No.: **29/543,411**

(22) Filed: **Oct. 23, 2015**

(51) **LOC (10) Cl.** **12-16**

(52) **U.S. Cl.**
USPC **D12/196**

(58) **Field of Classification Search**
USPC D12/86, 88, 90, 91, 163, 169, 184,
D12/196; D21/424, 433, 434; 296/181.5,
296/181.2
CPC .. B62D 25/08; B62D 33/0273; B62D 33/03;
B62D 33/037; B62D 33/023; B62D 33/027
See application file for complete search history.

(Continued)

Primary Examiner — Rosemary K Tarcza
Assistant Examiner — Yolanda Robinson
(74) *Attorney, Agent, or Firm* — Reising Ethington P.C.

(57) **CLAIM**
The ornamental design for a vehicle decklid, as shown and described.

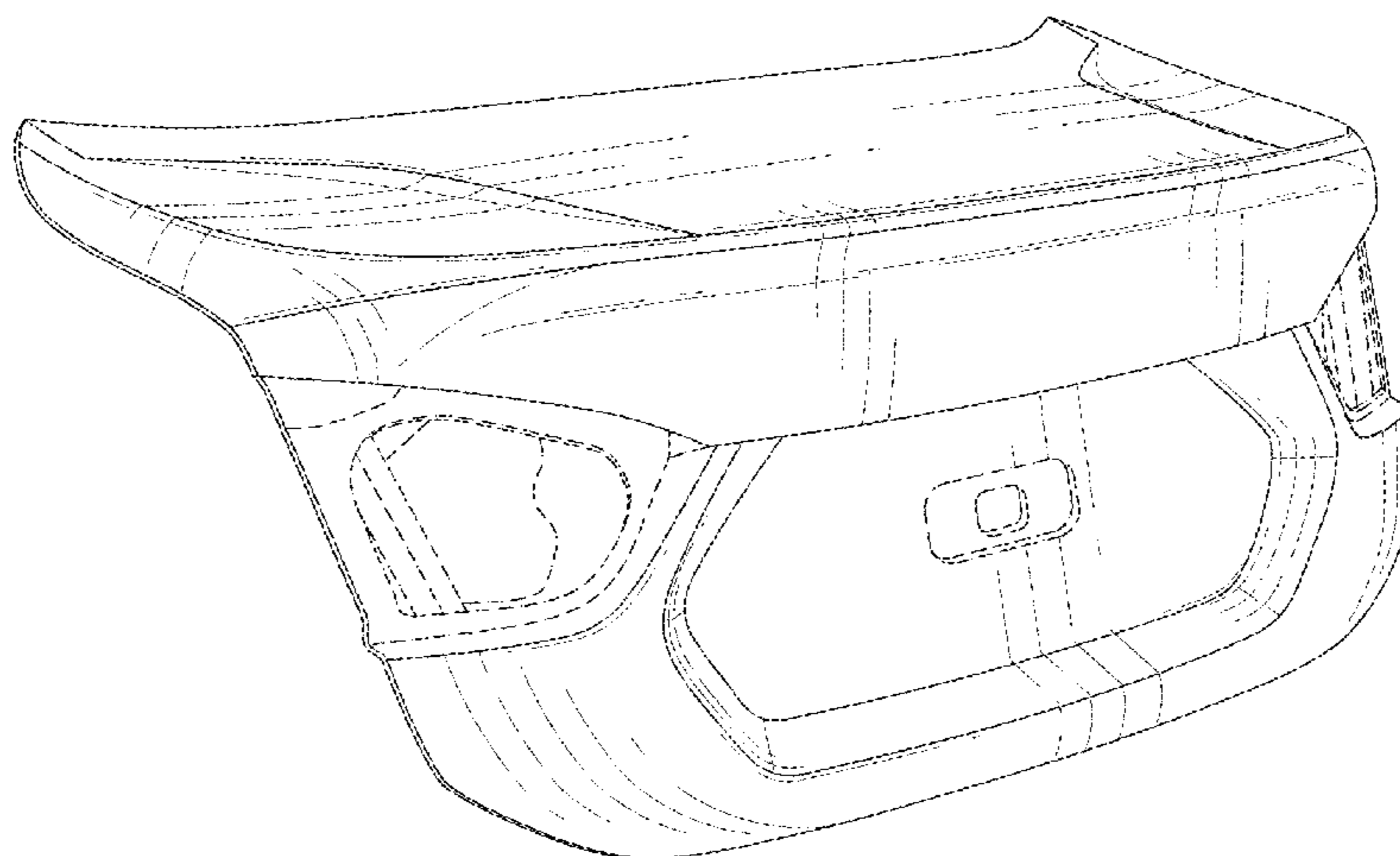
(56) **References Cited**
U.S. PATENT DOCUMENTS

D570,742 S 6/2008 Takagi et al.
D592,105 S 5/2009 Dean et al.
D597,447 S 8/2009 Folden
D600,595 S 9/2009 Nakamura et al.
D601,925 S 10/2009 O'Donnell
D603,755 S 11/2009 Peters
D604,203 S 11/2009 O'Donnell
D605,082 S 12/2009 Munson
D605,083 S 12/2009 Manoogian, II et al.
D605,977 S 12/2009 Zipfel et al.
D605,978 S 12/2009 Wolff et al.
D608,249 S 1/2010 Peters

DESCRIPTION

FIG. 1 is a perspective view of the vehicle decklid;
FIG. 2 is a left side elevation view thereof (where the right side elevation view is omitted since the right side elevation view is identical to the left side elevation view);
FIG. 3 is a top plan view thereof; and,
FIG. 4 is a front view thereof.
The broken lines shown in the figures are for the purpose of illustrating unclaimed portions of the vehicle decklid, and form no part of the claimed design.

1 Claim, 2 Drawing Sheets



(56)

References Cited

U.S. PATENT DOCUMENTS

D678,821 S 3/2013 Ikeda et al.
 D679,643 S * 4/2013 Karras D12/196
 D680,909 S 4/2013 Munson et al.
 D680,910 S 4/2013 David
 D680,931 S * 4/2013 Schmeckpeper D12/196
 D682,757 S * 5/2013 Song D12/196
 D684,514 S * 6/2013 McCabe D12/196
 D684,899 S 6/2013 Baker
 D686,127 S * 7/2013 Munson D12/196
 D686,536 S * 7/2013 McCabe D12/92
 D692,798 S 11/2013 Thurber
 D692,799 S 11/2013 Smith et al.
 D696,157 S 12/2013 Loeb
 D696,609 S * 12/2013 Jang D12/92
 D699,629 S 2/2014 Ikeda et al.
 8,641,122 B2 * 2/2014 Thorpe B62D 25/105
 296/106
 D700,871 S 3/2014 O'Donnell et al.
 D703,103 S 4/2014 Lee
 D703,122 S * 4/2014 Futschik D12/196
 D704,103 S 5/2014 Mack et al.
 D705,132 S 5/2014 Ware et al.
 D705,699 S 5/2014 Ware et al.
 D710,283 S * 8/2014 O'Donnell D12/196
 D711,287 S * 8/2014 Butterworth D12/92
 D713,298 S 9/2014 Dyson
 D713,309 S * 9/2014 Scheinhuette D12/196
 D713,764 S 9/2014 Ferlazzo et al.
 D715,712 S * 10/2014 Thompson D12/196
 D716,696 S 11/2014 Thole et al.
 D716,706 S 11/2014 Thole et al.
 D716,709 S 11/2014 Thole et al.
 D717,696 S 11/2014 Thole et al.

D718,189 S 11/2014 Krieg et al.
 D718,662 S * 12/2014 Ishizuka D12/92
 D718,683 S 12/2014 Thole et al.
 D719,065 S * 12/2014 Sakae D12/92
 D722,282 S 2/2015 Loeb
 D722,533 S 2/2015 Thole et al.
 D722,534 S 2/2015 Munson et al.
 D723,426 S * 3/2015 Loeb D12/92
 D724,510 S 3/2015 McMahan et al.
 D725,001 S 3/2015 McMahan et al.
 D726,591 S 4/2015 Jacob
 D730,776 S 6/2015 Smart
 D730,783 S 6/2015 Henriques et al.
 D731,942 S * 6/2015 Hammoud D12/196
 D732,427 S 6/2015 Loeb
 D732,429 S 6/2015 Loeb
 D732,430 S 6/2015 Loeb
 D732,431 S 6/2015 Loeb
 D732,432 S 6/2015 Aengenheyster
 D732,433 S 6/2015 Aengenheyster
 D732,435 S 6/2015 Mackay
 D733,002 S 6/2015 Loeb
 D733,629 S * 7/2015 Rupar D12/196
 D735,611 S 8/2015 Aengenheyster
 D735,627 S 8/2015 Smith
 D736,451 S 8/2015 Smith
 D739,306 S 9/2015 McMahan
 D739,317 S 9/2015 McMahan et al.
 D741,223 S 10/2015 Kim et al.
 D742,282 S * 11/2015 Asai D12/92
 D743,313 S * 11/2015 Smith D12/196
 D743,864 S * 11/2015 Loeb D12/196
 D746,206 S * 12/2015 Duff D12/196
 D753,567 S * 4/2016 Boniface D12/196
 2013/0229026 A1 * 9/2013 Thorpe B62D 25/105
 296/76

* cited by examiner

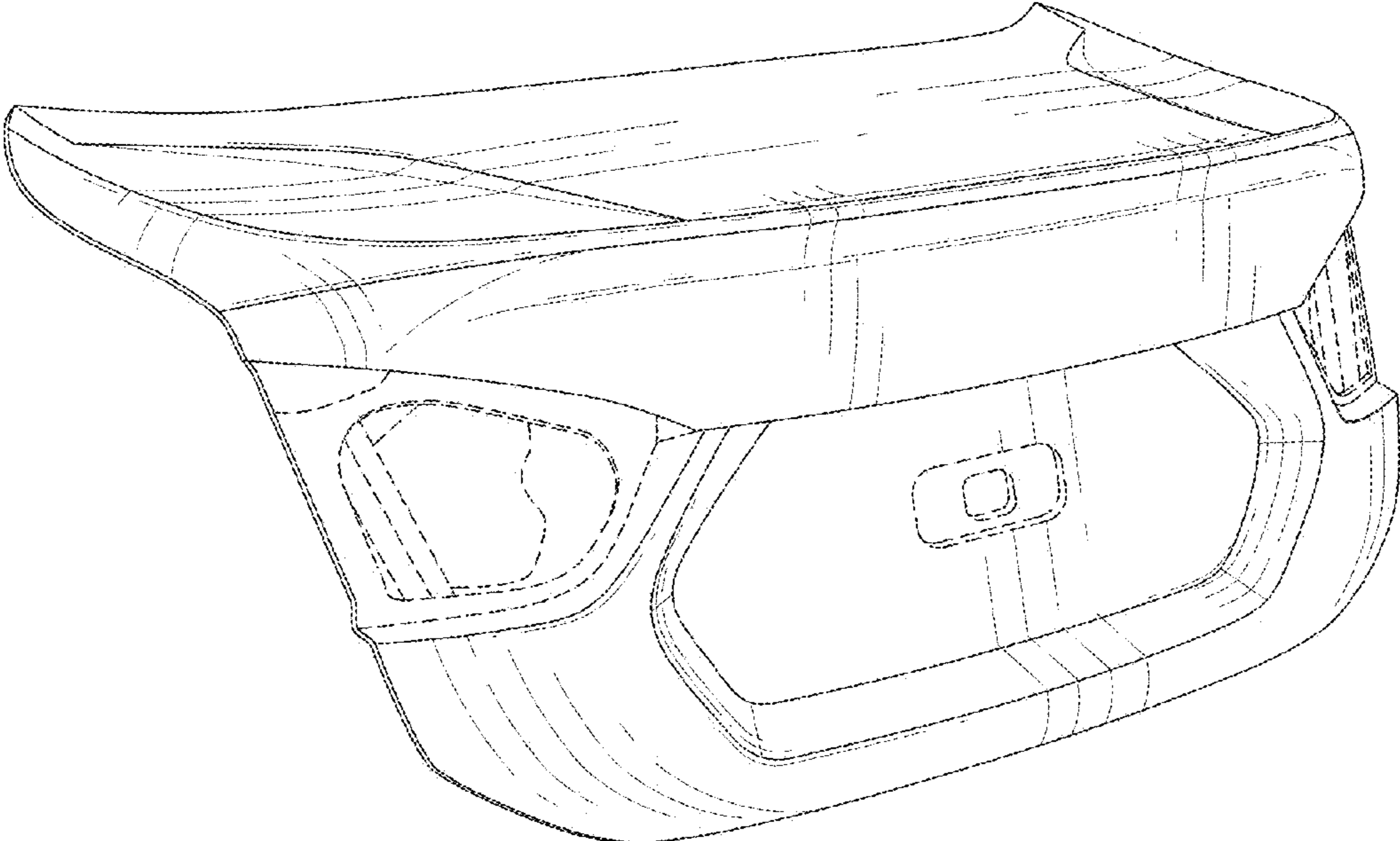


Fig. 1

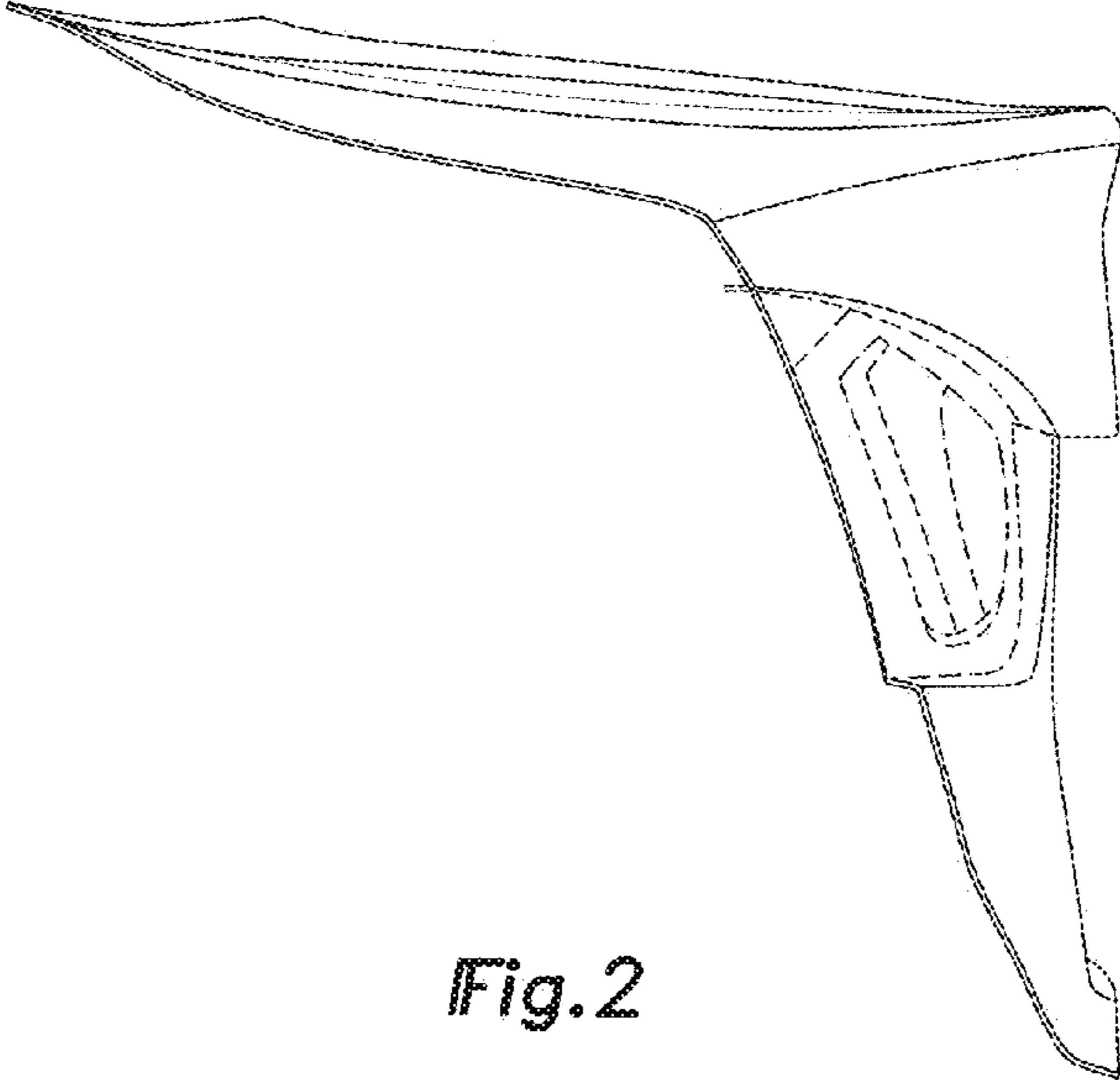


Fig. 2

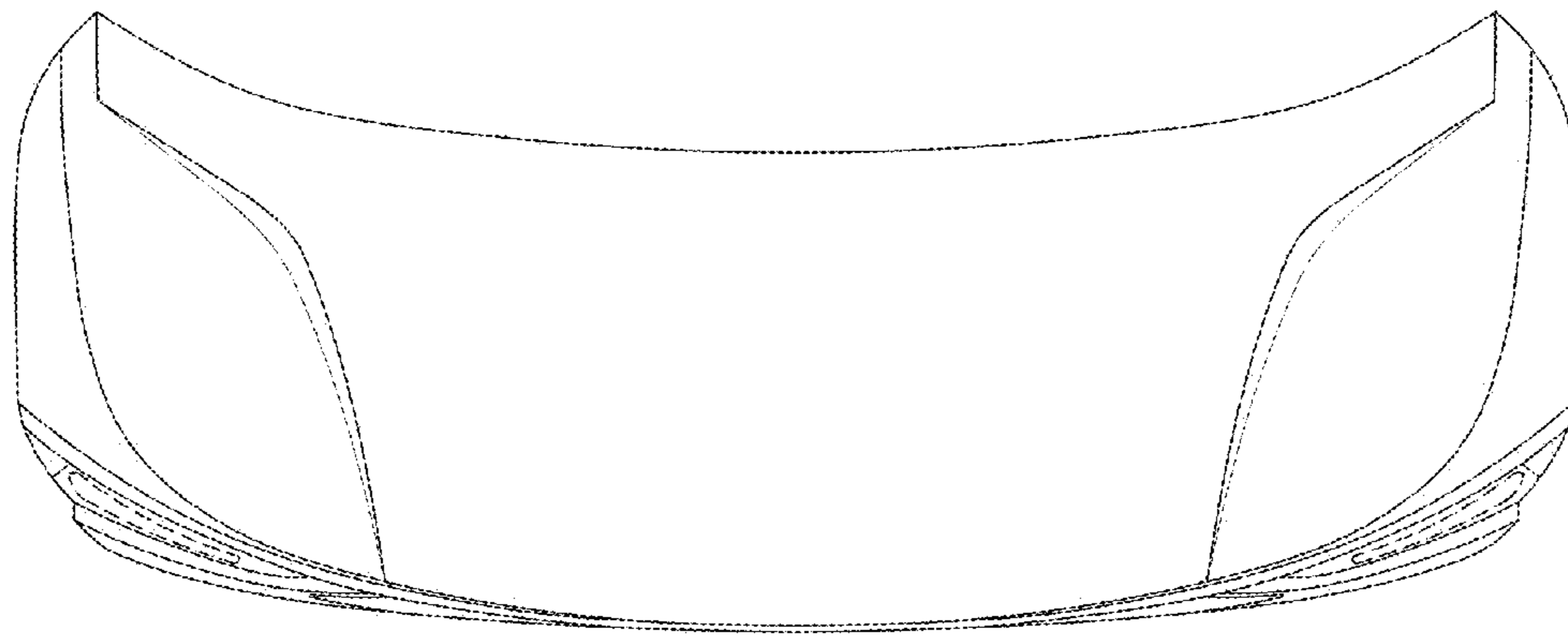


Fig.3

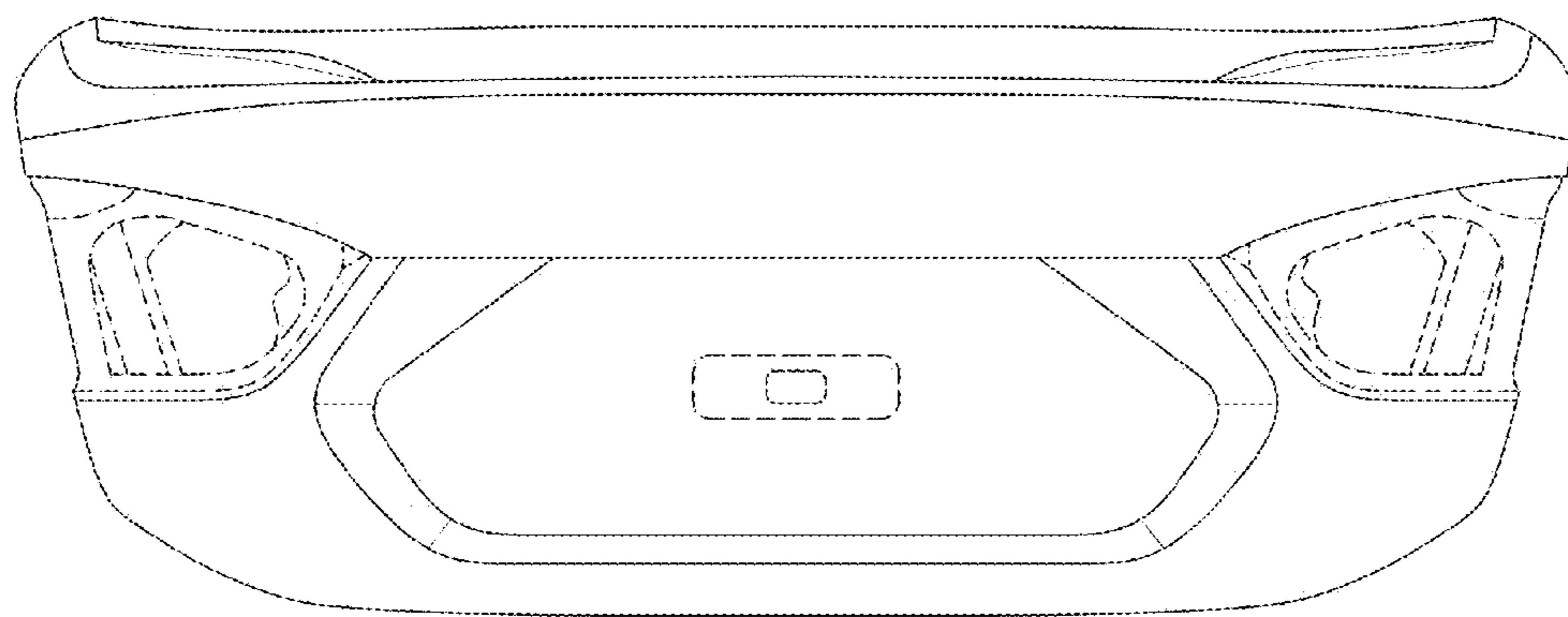


Fig.4