



US00D767459S

(12) **United States Design Patent** (10) **Patent No.:** **US D767,459 S**
Kim (45) **Date of Patent:** **** Sep. 27, 2016**

(54) **VEHICLE DECKLID**
(71) Applicant: **GM Global Technology Operations LLC, Detroit, MI (US)**
(72) Inventor: **Hoon S. Kim, Troy, MI (US)**
(73) Assignee: **GM Global Technology Operations LLC, Detroit, MI (US)**
(**) Term: **15 Years**
(21) Appl. No.: **29/539,915**
(22) Filed: **Sep. 18, 2015**
(51) **LOC (10) Cl.** **12-16**
(52) **U.S. Cl.**
USPC **D12/196**
(58) **Field of Classification Search**
USPC D12/86, 88, 90, 91, 92, 163, 169, 184,
D12/196; D21/424, 433, 434; 296/181.1,
296/181.2, 181.5
CPC .. B62D 25/08; B62D 33/0273; B62D 33/03;
B62D 33/037; B62D 33/023
See application file for complete search history.

D608,690 S 1/2010 Folden et al.
D608,691 S 1/2010 Zak, Jr. et al.
D609,608 S 2/2010 Boniface et al.
D611,387 S 3/2010 Thompson et al.
D611,879 S 3/2010 Kim et al.
D612,297 S 3/2010 Peters et al.
D613,645 S 4/2010 Song et al.
D615,458 S 5/2010 Thompson et al.
D618,595 S 6/2010 Ware et al.
D623,090 S * 9/2010 Cox D12/92
D627,262 S 11/2010 Ikeda et al.
D635,488 S 4/2011 Phipps
D644,147 S 8/2011 Suh et al.
D644,567 S * 9/2011 Kozub D12/92
D657,718 S 4/2012 Zipfel et al.
D658,545 S * 5/2012 Van Braeckel D12/91
D659,052 S 5/2012 Ware et al.
D659,053 S 5/2012 Ware et al.
D667,342 S * 9/2012 Kobayashi D12/91
D668,182 S 10/2012 Franco
D668,183 S * 10/2012 Smart D12/92
D678,820 S 3/2013 Song et al.
D678,821 S 3/2013 Ikeda et al.
D679,643 S * 4/2013 Karras D12/196
D680,909 S * 4/2013 Munson D12/92
D680,910 S 4/2013 David
D684,899 S 6/2013 Baker
D686,127 S * 7/2013 Munson D12/196

(Continued)

(56) **References Cited**
U.S. PATENT DOCUMENTS

D570,742 S 6/2008 Takagi et al.
D592,105 S 5/2009 Dean et al.
D597,447 S 8/2009 Folden
D600,595 S 9/2009 Nakamura et al.
D601,925 S 10/2009 O'Donnell
7,597,378 B2 * 10/2009 Ichinose B62D 25/105
296/76
D603,755 S 11/2009 Peters
D604,203 S 11/2009 O'Donnell
D605,082 S * 12/2009 Munson D12/86
D605,083 S * 12/2009 Manoogian, II D12/86
D605,977 S 12/2009 Zipfel et al.
D605,978 S 12/2009 Wolff et al.
D608,249 S 1/2010 Peters

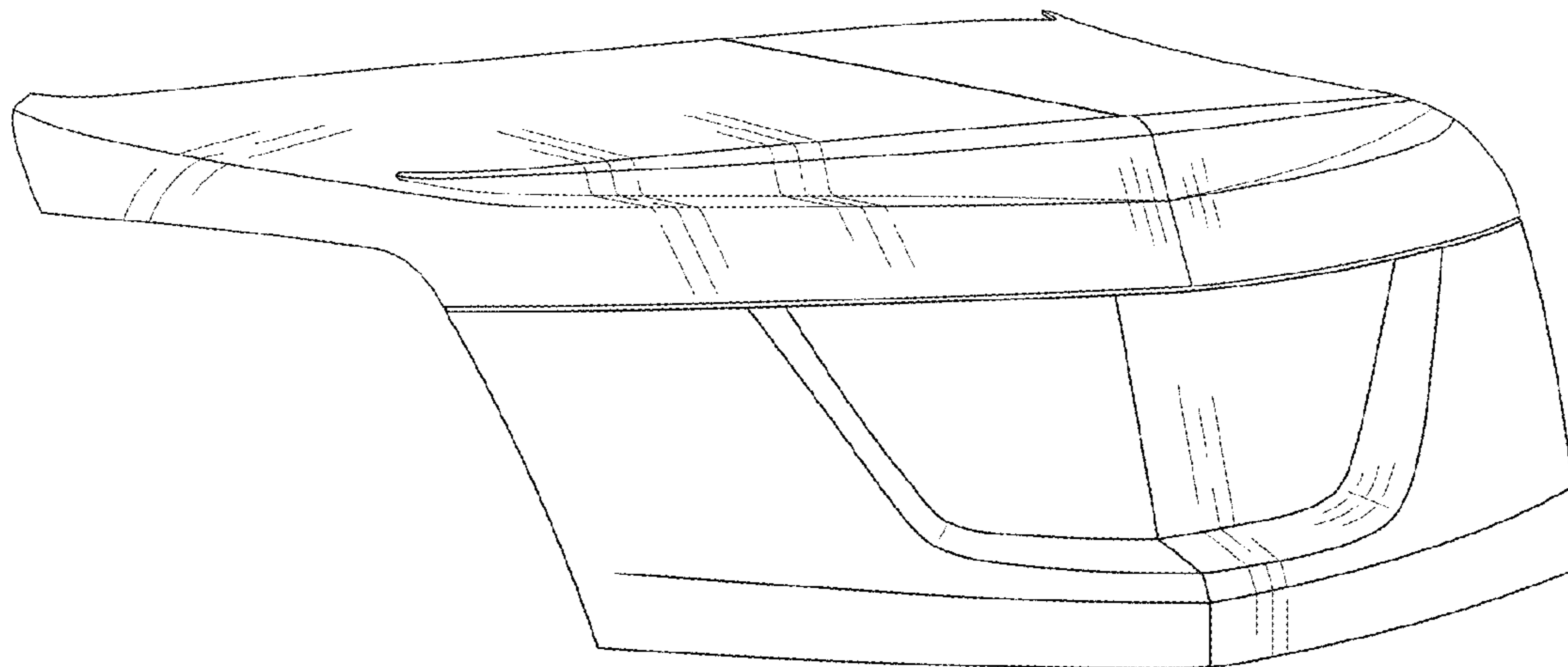
Primary Examiner — Rosemary K Tarcza
Assistant Examiner — Yolanda Robinson
(74) *Attorney, Agent, or Firm* — Reising Ethington P.C.

(57) **CLAIM**
The ornamental design for a vehicle decklid, as shown and described.

DESCRIPTION

FIG. 1 is a perspective view of the vehicle decklid;
FIG. 2 is a side elevation view thereof;
FIG. 3 is a top plan view thereof; and,
FIG. 4 is a front view thereof.

1 Claim, 2 Drawing Sheets



(56)

References Cited

U.S. PATENT DOCUMENTS

D686,536 S	7/2013	McCabe et al.		D718,683 S	12/2014	Thole et al.	
D691,922 S *	10/2013	Ziaullah	D12/91	D722,282 S	2/2015	Loeb	
D692,798 S	11/2013	Thurber		D722,533 S	2/2015	Thole et al.	
D692,799 S	11/2013	Smith et al.		D722,534 S *	2/2015	Munson	D12/92
D696,157 S	12/2013	Loeb		D724,510 S	3/2015	McMahan et al.	
D699,629 S	2/2014	Ikeda et al.		D725,001 S	3/2015	McMahan et al.	
D700,871 S	3/2014	O'Donnell et al.		D728,422 S *	5/2015	Minami	D12/91
D703,103 S	4/2014	Lee		D730,776 S *	6/2015	Smart	D12/92
D704,103 S *	5/2014	Mack	D12/92	D730,783 S	6/2015	Henriques et al.	
D705,132 S *	5/2014	Ware	D12/92	D732,435 S	6/2015	Mackay	
D705,699 S	5/2014	Ware et al.		D735,627 S	8/2015	Smith	
D713,298 S	9/2014	Dyson		D736,451 S	8/2015	Smith	
D713,764 S	9/2014	Ferlazzo		D742,282 S *	11/2015	Asai	D12/92
D716,696 S	11/2014	Thole et al.		D743,313 S *	11/2015	Smith	D12/196
D716,706 S	11/2014	Thole et al.		D743,314 S *	11/2015	Thole	D12/196
D716,709 S	11/2014	Thole et al.		D746,206 S *	12/2015	Duff	D12/196
D717,696 S	11/2014	Thole et al.		D753,567 S *	4/2016	Boniface	D12/196
D718,189 S *	11/2014	Krieg	D12/92	2009/0026793 A1 *	1/2009	Ichinose	B62D 25/105 296/76
				2013/0229026 A1 *	9/2013	Thorpe	B62D 25/105 296/76

* cited by examiner

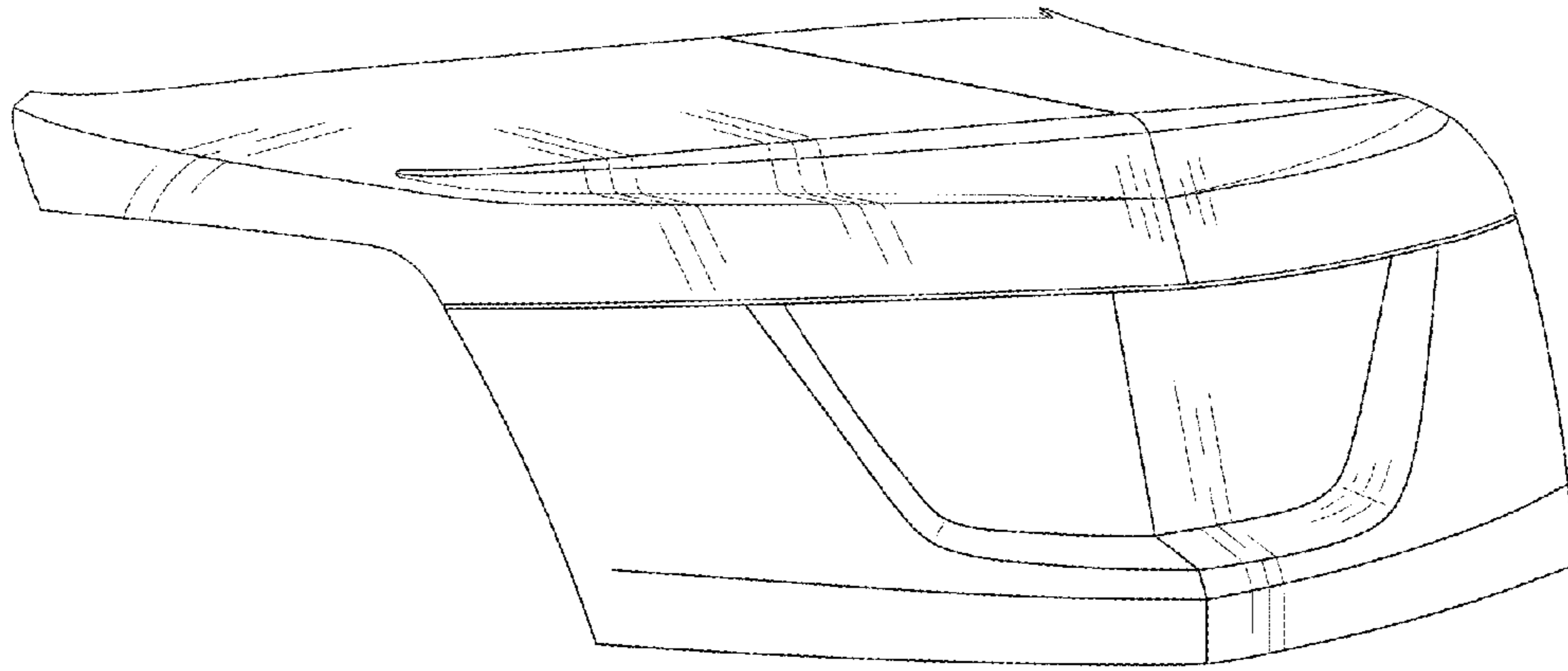


Fig. 1

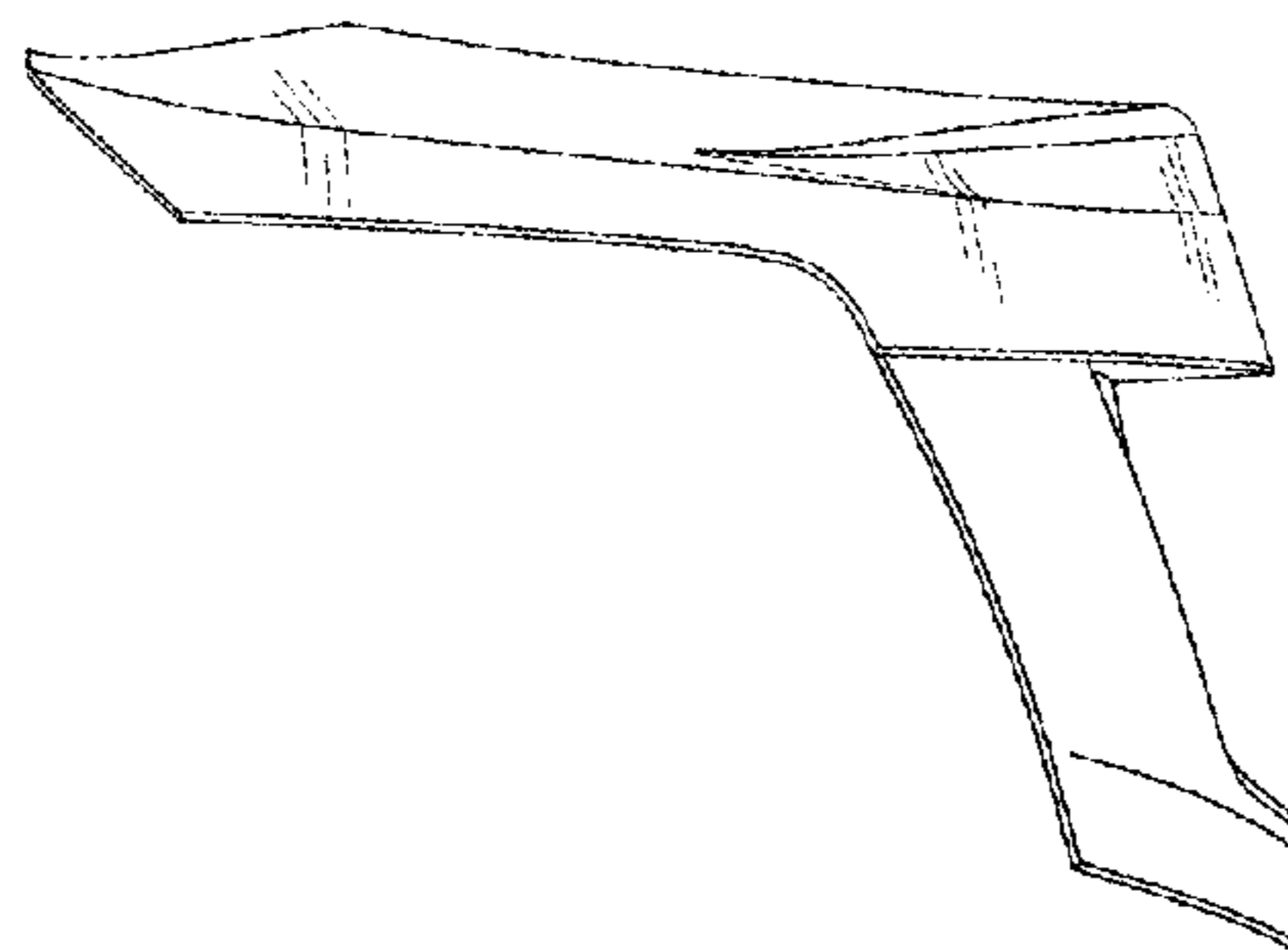


Fig. 2

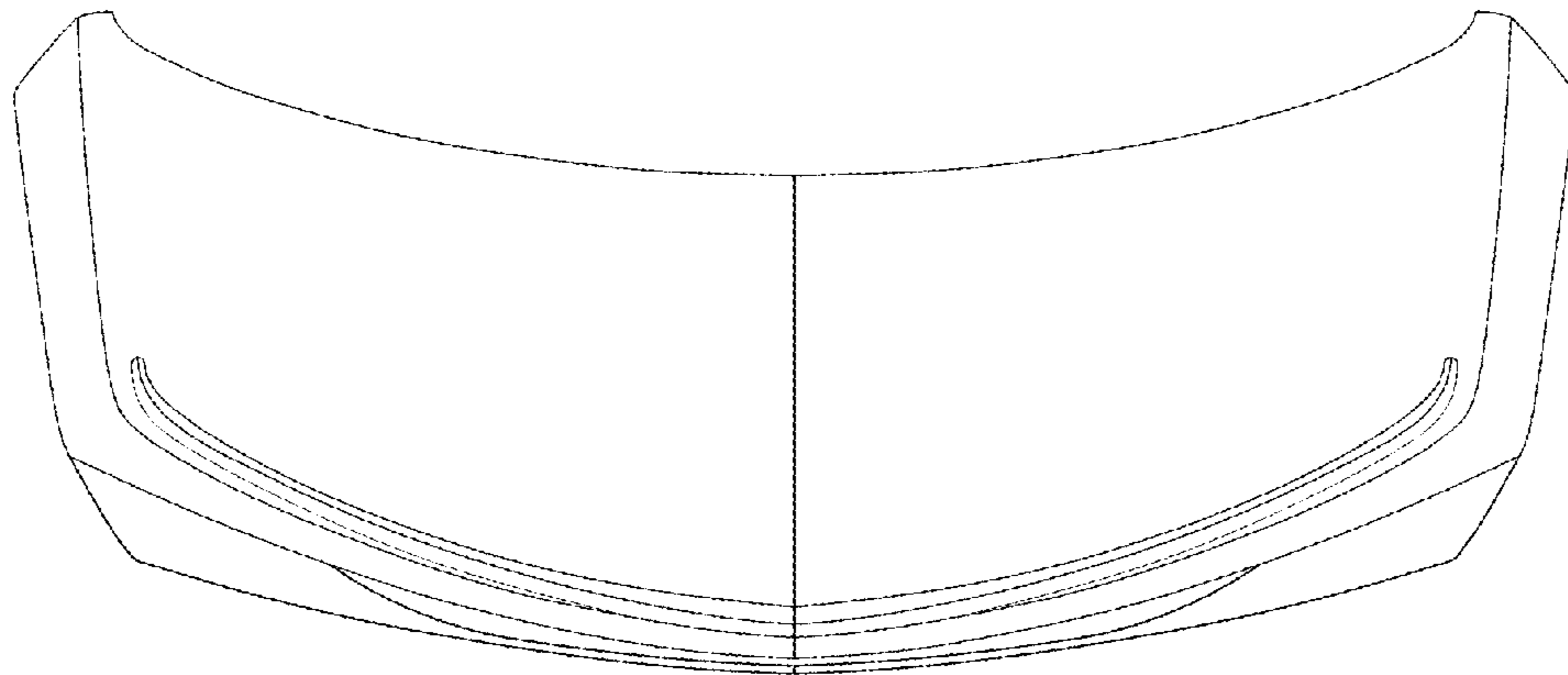


Fig. 3

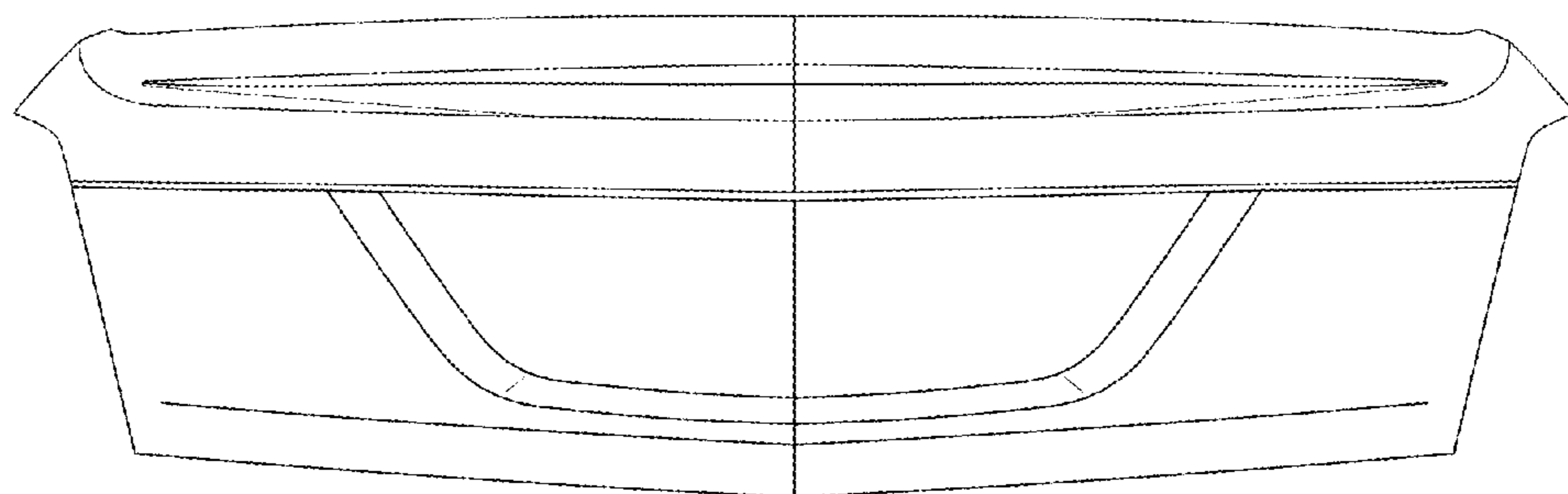


Fig. 4