

US00D767458S

(12) **United States Design Patent** (10) **Patent No.:** **US D767,458 S**
Kim (45) **Date of Patent:** **** Sep. 27, 2016**

(54) **VEHICLE FRONT FENDER**
(71) Applicant: **GM Global Technology Operations LLC, Detroit, MI (US)**
(72) Inventor: **Hoon S. Kim, Troy, MI (US)**
(73) Assignee: **GM Global Technology Operations LLC**
(**) Term: **15 Years**
(21) Appl. No.: **29/539,791**
(22) Filed: **Sep. 17, 2015**
(51) **LOC (10) Cl.** **12-16**
(52) **U.S. Cl.**
USPC **D12/196**
(58) **Field of Classification Search**
USPC D12/88, 90, 91, 92, 181, 184, 196, 400;
D21/424, 433, 434; 280/727, 770, 847,
280/848, 849; 296/181.1, 181.5
CPC B62D 25/02; B62D 25/16; B62D 25/161;
B62D 25/168; B62D 25/18; B62D 25/184;
B62D 25/04
See application file for complete search history.

D605,977 S 12/2009 Zipfel et al.
D605,978 S 12/2009 Wolff et al.
D607,778 S * 1/2010 Ramaciotti D12/90
D608,249 S 1/2010 Peters
D608,690 S 1/2010 Folden et al.
D608,691 S 1/2010 Zak, Jr. et al.
D609,608 S 2/2010 Boniface et al.
D611,387 S 3/2010 Thompson et al.
D611,879 S 3/2010 Kim et al.
D612,297 S 3/2010 Peters et al.
D613,645 S 4/2010 Song et al.
D615,013 S * 5/2010 Lamm D12/181
D615,458 S 5/2010 Thompson et al.
D618,595 S 6/2010 Ware et al.
D623,090 S 9/2010 Cox et al.
D626,044 S * 10/2010 Yamazaki D12/181
D627,262 S 11/2010 Ikeda et al.
D628,947 S * 12/2010 Yoshida D12/181
D629,344 S * 12/2010 Komuro D12/181
D630,985 S * 1/2011 Matei D12/181
D633,008 S * 2/2011 Nakamura D12/90
D635,488 S 4/2011 Phipps
D642,101 S * 7/2011 Faghihzadeh D12/181
D644,147 S 8/2011 Suh et al.
D644,567 S 9/2011 Kozub
D647,428 S * 10/2011 Ohhashi D12/90
D657,718 S 4/2012 Zipfel et al.

(Continued)

Primary Examiner — Rosemary K Tarcza
Assistant Examiner — Yolanda Robinson
(74) *Attorney, Agent, or Firm* — Reising Ethington P.C.

(56) **References Cited**

U.S. PATENT DOCUMENTS

6,929,313 B2 * 8/2005 Fries B62D 25/161
296/193.05
D559,160 S * 1/2008 Viandante D12/181
D570,742 S 6/2008 Takagi et al.
D592,105 S 5/2009 Dean et al.
D597,447 S 8/2009 Folden
D600,595 S 9/2009 Nakamura et al.
D601,925 S 10/2009 O'Donnell
D603,755 S 11/2009 Peters
D604,203 S 11/2009 O'Donnell
D605,082 S 12/2009 Munson
D605,083 S 12/2009 Manoogian, II et al.

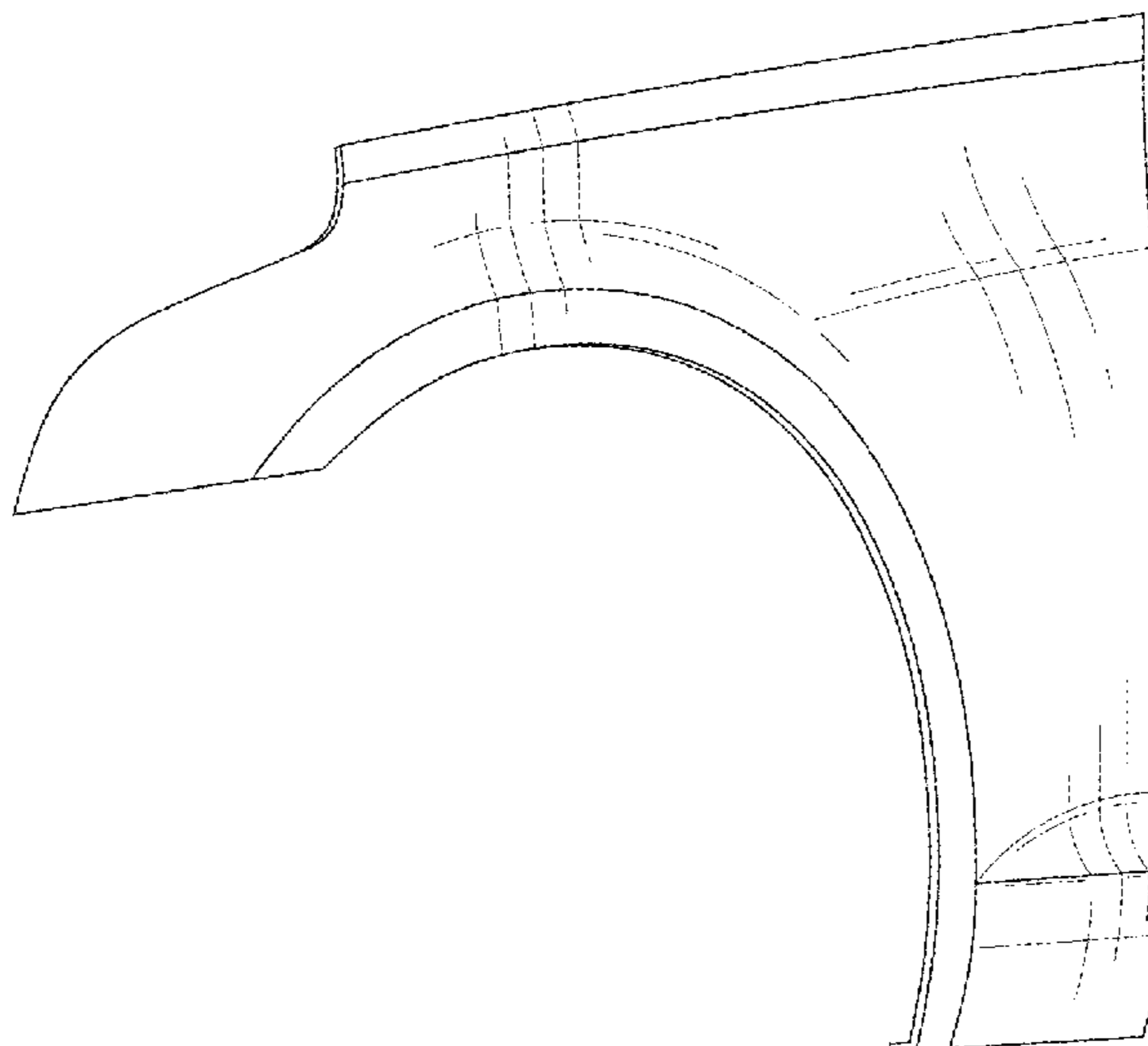
(57) **CLAIM**

The ornamental design for a vehicle front fender, as shown and described.

DESCRIPTION

FIG. 1 is a perspective view of the vehicle front fender;
FIG. 2 is a front view thereof;
FIG. 3 is a side view thereof; and,
FIG. 4 is a top view thereof.

1 Claim, 2 Drawing Sheets



(56)

References Cited

U.S. PATENT DOCUMENTS

D659,052 S	5/2012	Ware et al.	D718,683 S	12/2014	Thole et al.
D659,053 S	5/2012	Ware et al.	D722,282 S	2/2015	Loeb
D668,182 S	10/2012	Franco	D722,533 S	2/2015	Thole et al.
D668,183 S	10/2012	Smart	D722,534 S	2/2015	Munson et al.
D678,820 S	3/2013	Son et al.	D724,510 S	3/2015	McMahan et al.
D678,821 S	3/2013	Ikeda et al.	D725,001 S	3/2015	McMahan et al.
D680,909 S	4/2013	Munson et al.	D730,776 S	6/2015	Smart
D680,910 S	4/2013	David	D730,783 S	6/2015	Henriques et al.
D684,899 S	6/2013	Baker	D732,427 S *	6/2015	Loeb D12/90
D686,536 S	7/2013	McCabe et al.	D732,435 S	6/2015	Mackay
8,496,267 B2 *	7/2013	Wohlberg B60J 11/06 280/770	D733,002 S *	6/2015	Loeb D12/90
D692,798 S	11/2013	Thurber	D735,627 S	8/2015	Smith
D692,799 S	11/2013	Smith et al.	D736,451 S	8/2015	Smith
D696,157 S	12/2013	Loeb	D740,188 S *	10/2015	Blanski D12/184
D699,629 S	2/2014	Ikeda et al.	D749,026 S *	2/2016	Smith D12/184
D699,644 S *	2/2014	Futschik D12/181	9,278,716 B1 *	3/2016	Joseph B62D 25/18
D700,871 S	3/2014	O'Donnell et al.	D753,551 S *	4/2016	Gale D12/88
D703,103 S	4/2014	Lee	D755,096 S *	5/2016	Wolff D12/184
D704,103 S *	5/2014	Mack D12/92	D756,278 S *	5/2016	Ino D12/184
D705,132 S	5/2014	Ware et al.	2005/0099035 A1 *	5/2005	Fries B62D 25/161 296/198
D705,699 S	5/2014	Ware et al.	2012/0104795 A1 *	5/2012	Komiya B62D 35/00 296/181.5
D713,298 S	9/2014	Dyson	2013/0147173 A1 *	6/2013	Wohlberg B60J 11/06 280/770
D713,764 S	9/2014	Ferlazzo	2014/0042773 A1 *	2/2014	Greverner B62D 29/043 296/181.1
D716,696 S	11/2014	Thole et al.	2014/0378043 A1 *	12/2014	Mueller B62D 25/16 454/152
D716,706 S	11/2014	Thole et al.	2015/0108792 A1 *	4/2015	Mildner B60K 15/05 296/198
D716,709 S	11/2014	Thole et al.			
D717,696 S	11/2014	Thole et al.			
D718,189 S *	11/2014	Krieg D12/92			

* cited by examiner

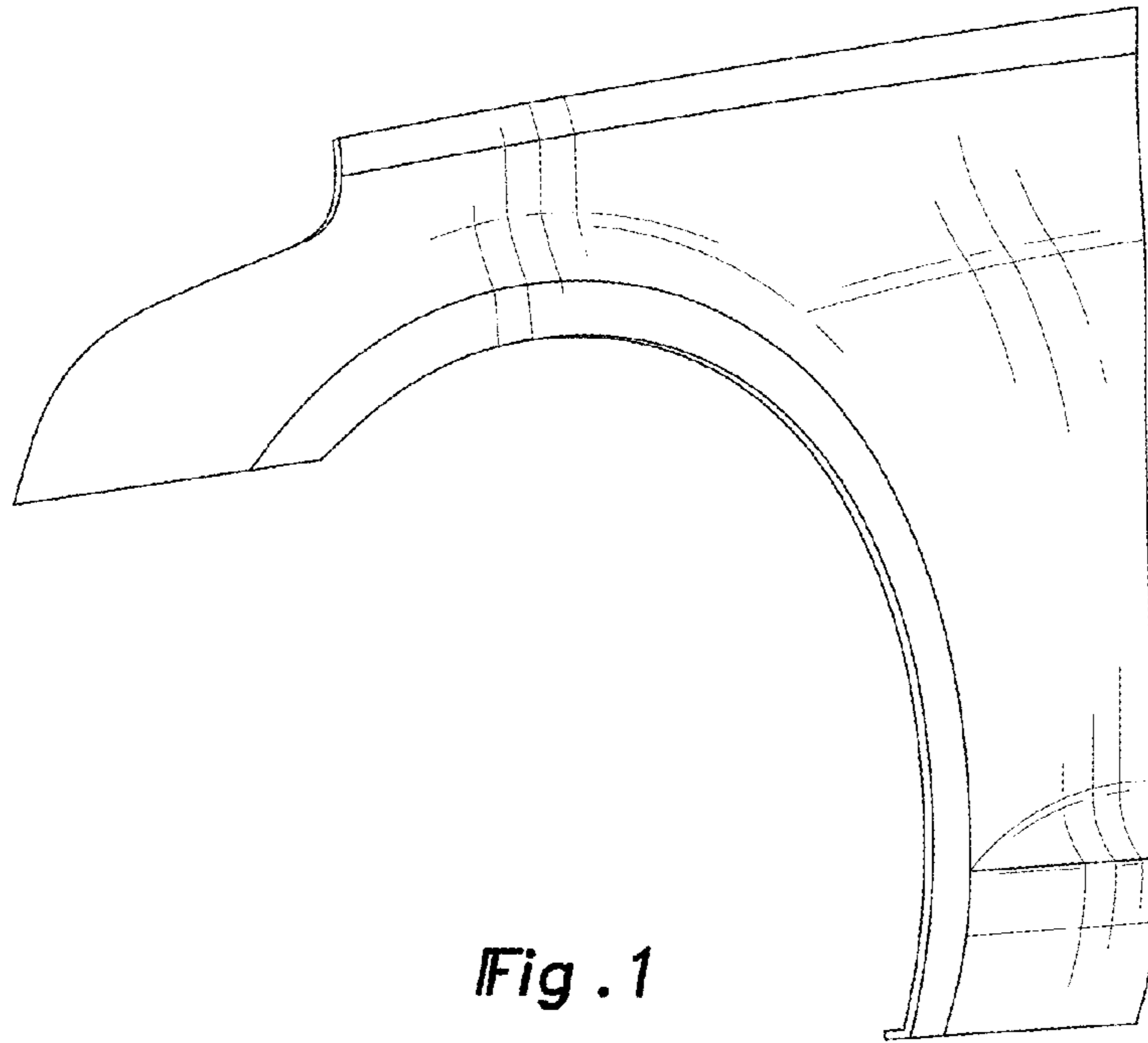


Fig .1

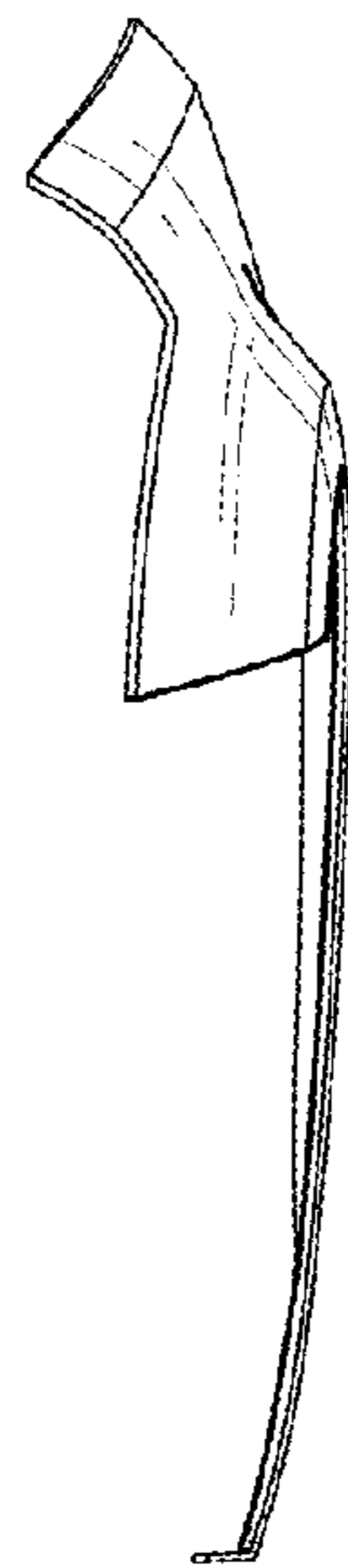


Fig .2

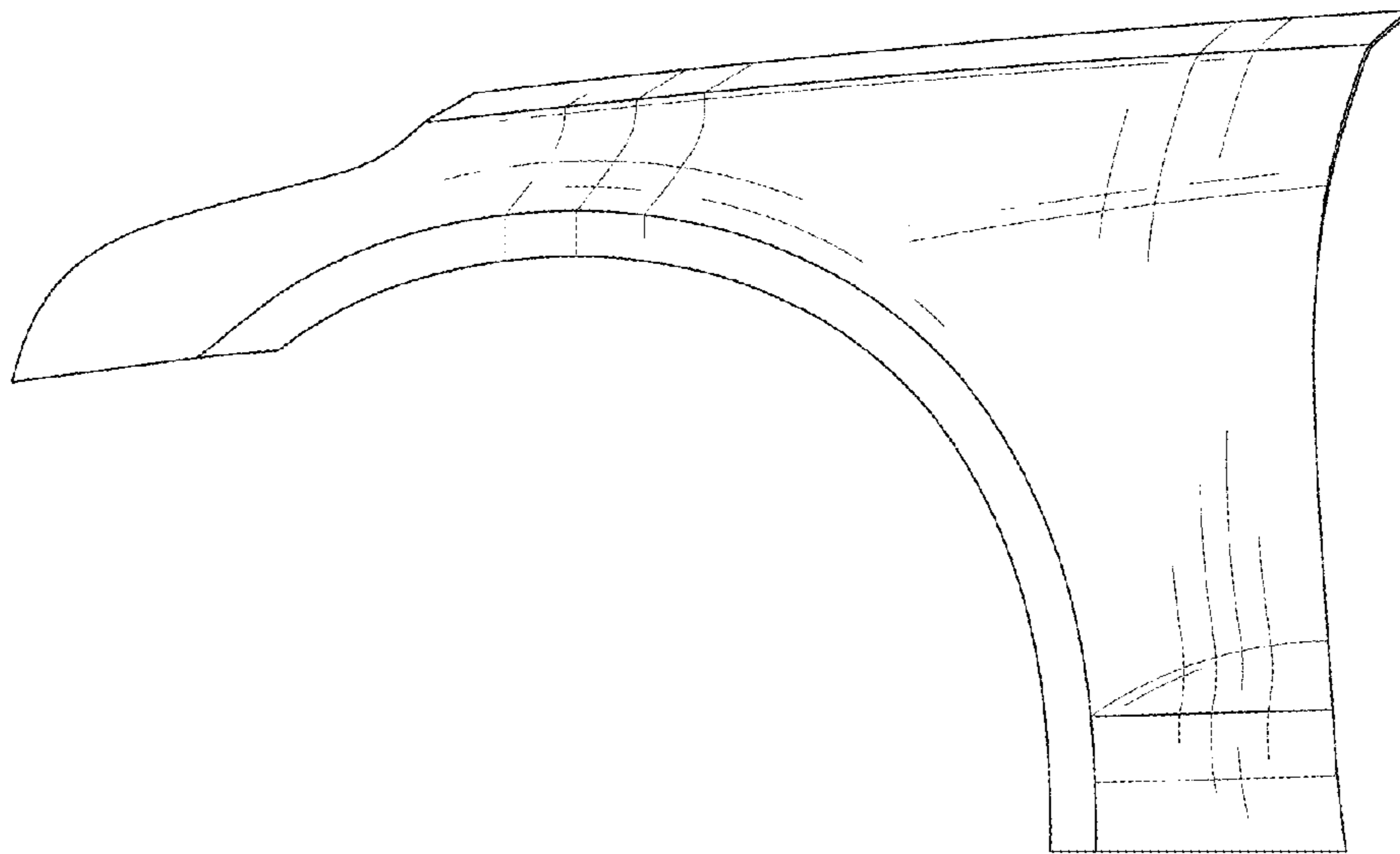


Fig .3

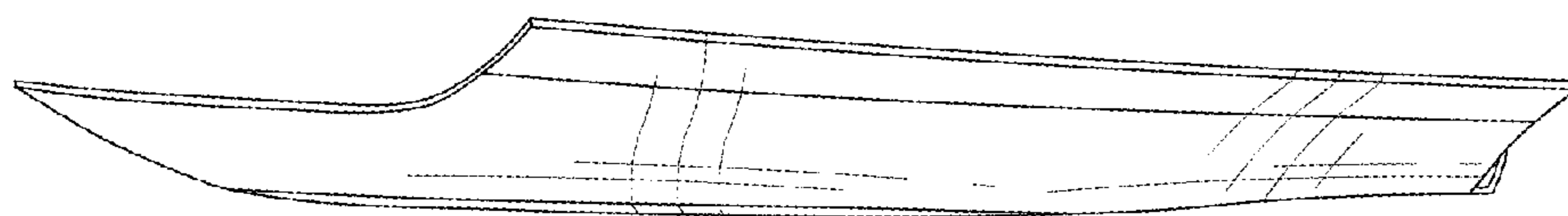


Fig .4