



US00D767456S

(12) **United States Design Patent** (10) **Patent No.:** **US D767,456 S**
Finnie et al. (45) **Date of Patent:** **** Sep. 27, 2016**

(54) **EXHAUST MUFFLER**

(71) Applicant: **V&H Performance, LLC**, Santa Fe Springs, CA (US)

(72) Inventors: **Mark Finnie**, Santa Ana, CA (US);
Terry Vance, Huntington Beach, CA (US); **Hunter Klee**, Orange, CA (US)

(73) Assignee: **V&H PERFORMANCE, LLC**, Santa Fe Springs, CA (US)

(**) Term: **14 Years**

(21) Appl. No.: **29/516,785**

(22) Filed: **Feb. 5, 2015**

(51) **LOC (10) Cl.** **12-16**

(52) **U.S. Cl.**
USPC **D12/194**

(58) **Field of Classification Search**
USPC D12/194; D15/5
CPC ... F01N 13/082; F01N 13/085; F01N 13/087
See application file for complete search history.

(56) **References Cited**

U.S. PATENT DOCUMENTS

- D384,319 S * 9/1997 Harutiunian D12/194
- D534,111 S * 12/2006 Wannamaker D12/194
- 9,121,319 B2 * 9/2015 Ray B01D 45/16

* cited by examiner

Primary Examiner — Michael A Pratt

(74) *Attorney, Agent, or Firm* — Barnes & Thornburg LLP

(57) **CLAIM**

The ornamental design for an exhaust muffler, as shown and described.

DESCRIPTION

FIG. 1 is a top, back and side perspective view of a first embodiment of an exhaust muffler embodying my new design.

FIG. 2 is a bottom, front and side perspective view thereof. FIG. 3 is a top view thereof, the bottom being a mirror image.

FIG. 4 is a first side view thereof, the second side being a mirror image.

FIG. 5 is a back view thereof

FIG. 6 is a front view thereof.

FIG. 7 is a top, back and side perspective view of a second embodiment of an exhaust muffler embodying my new design.

FIG. 8 is a bottom, front and side perspective view thereof. FIG. 9 is a top view thereof, the bottom being a mirror image.

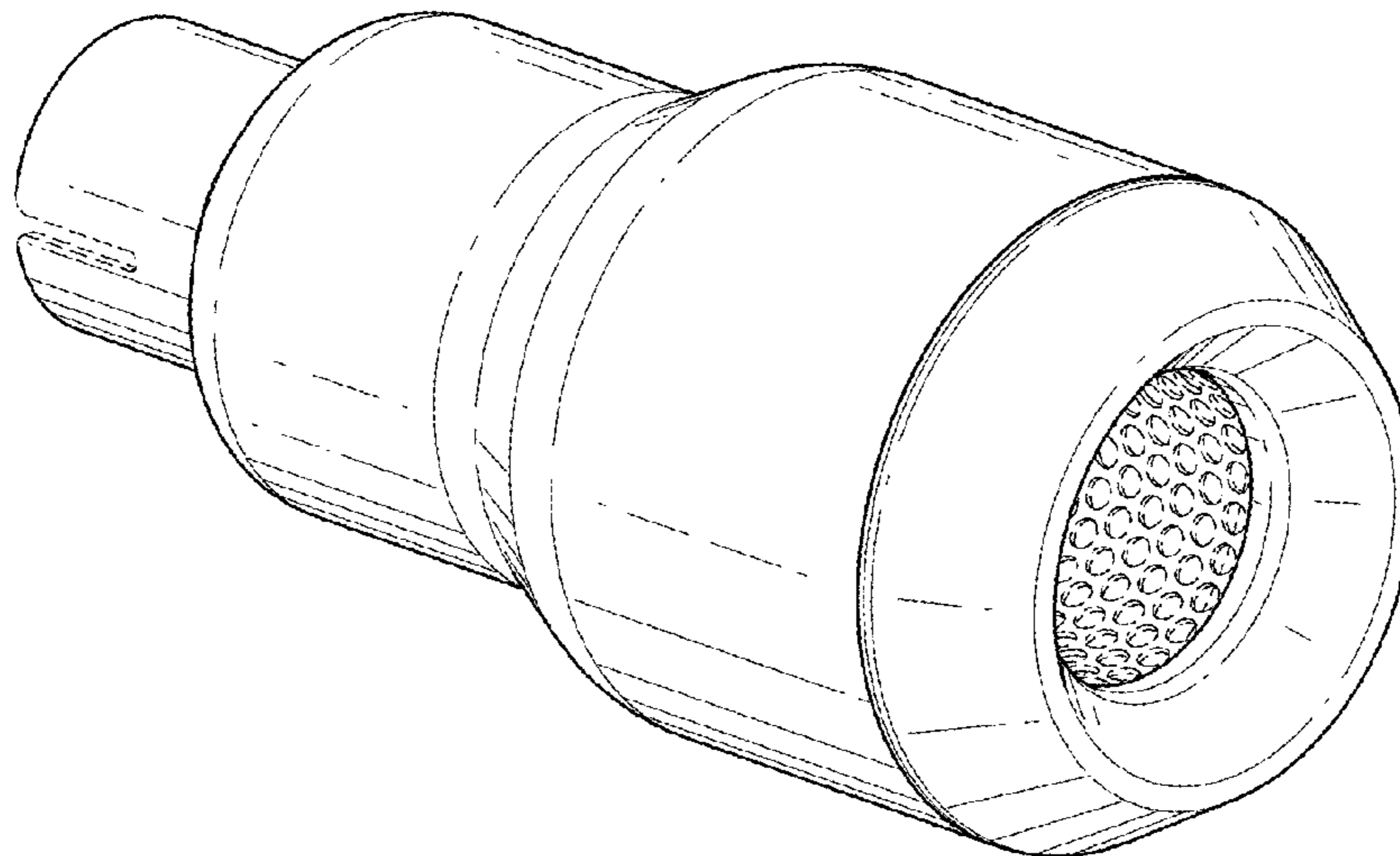
FIG. 10 is a first side view thereof, the second side being a mirror image.

FIG. 11 is a back view thereof; and,

FIG. 12 is a front view thereof.

Broken lines are used to illustrate features of the exhaust muffler which form no part of the claimed design.

1 Claim, 6 Drawing Sheets



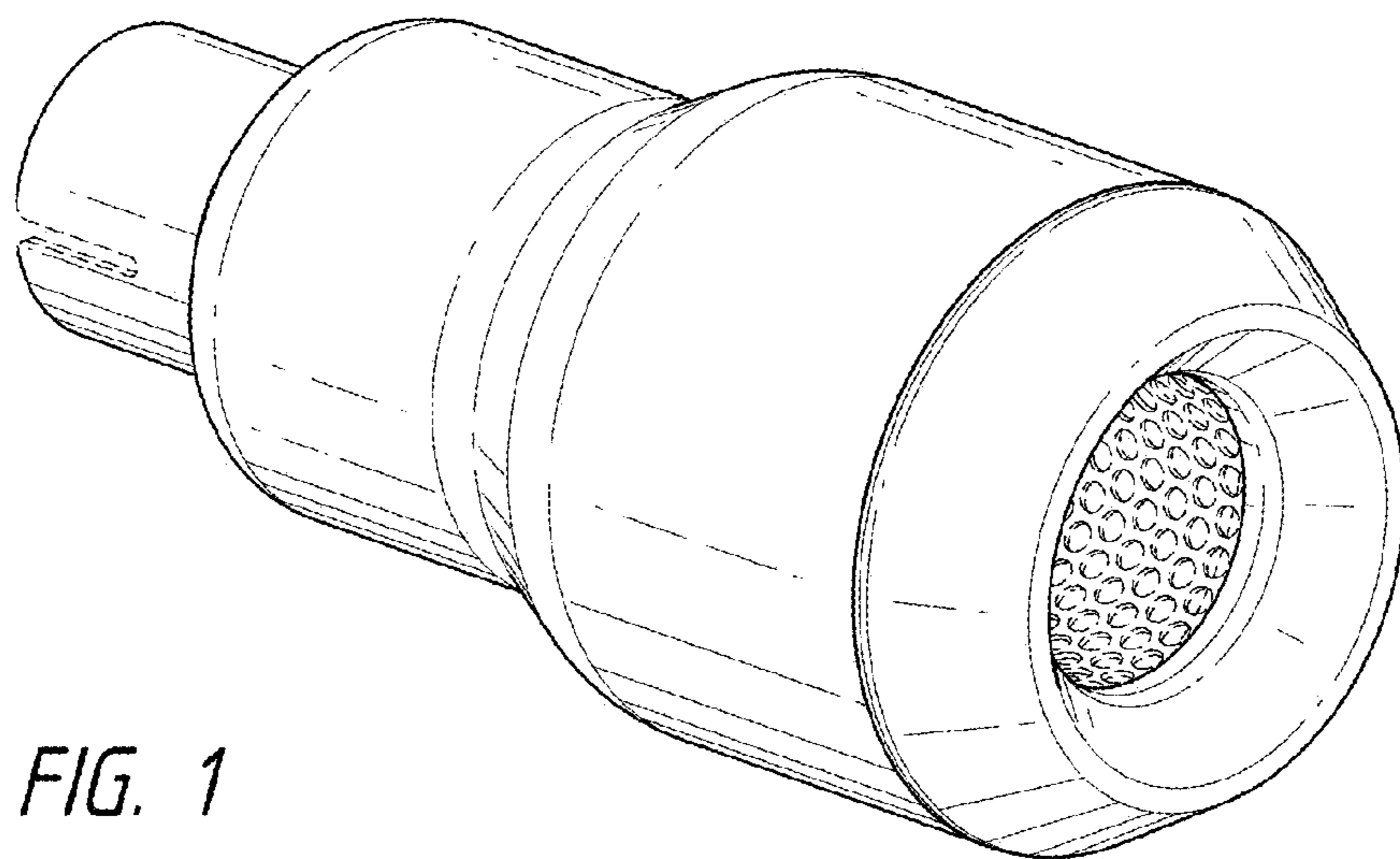


FIG. 1

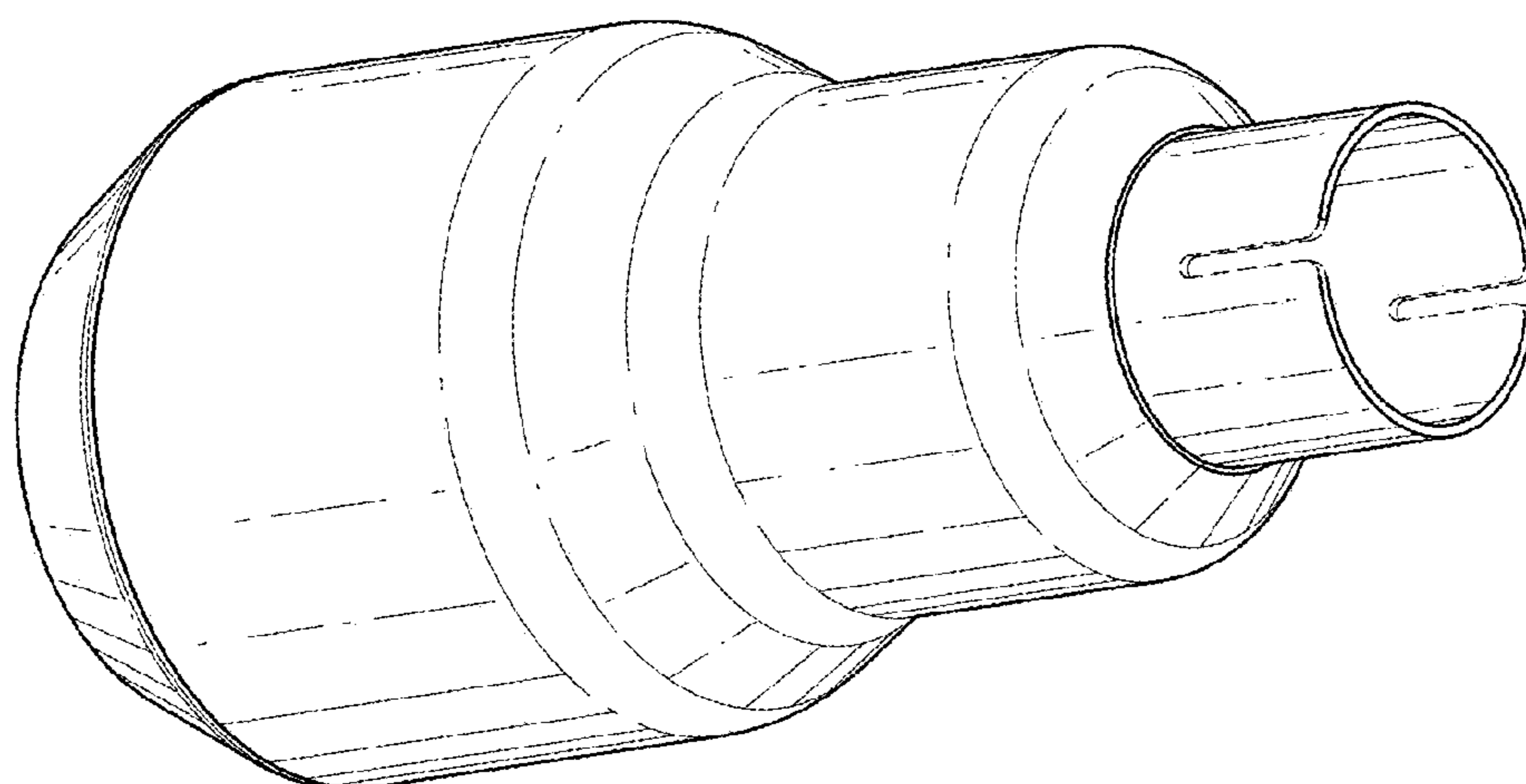


FIG. 2

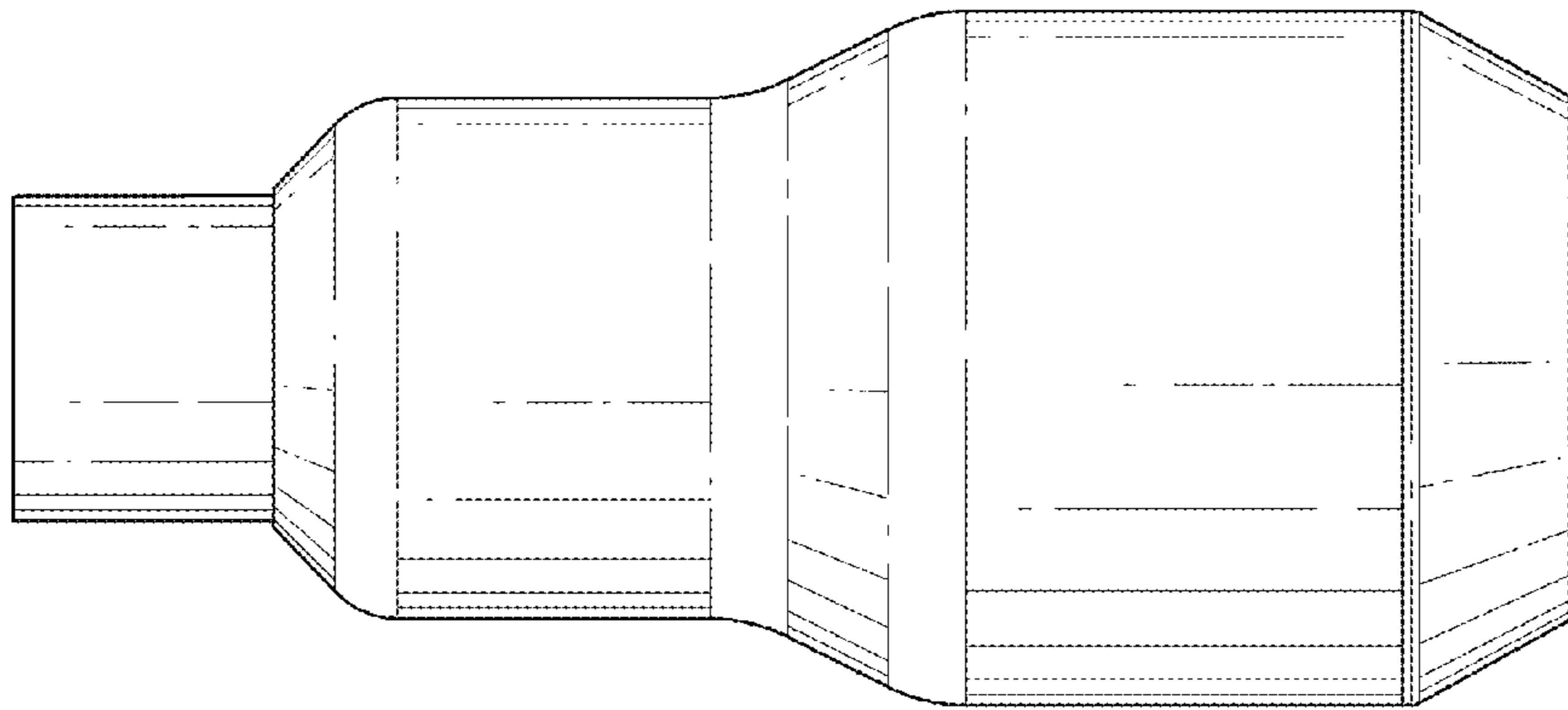


FIG. 3

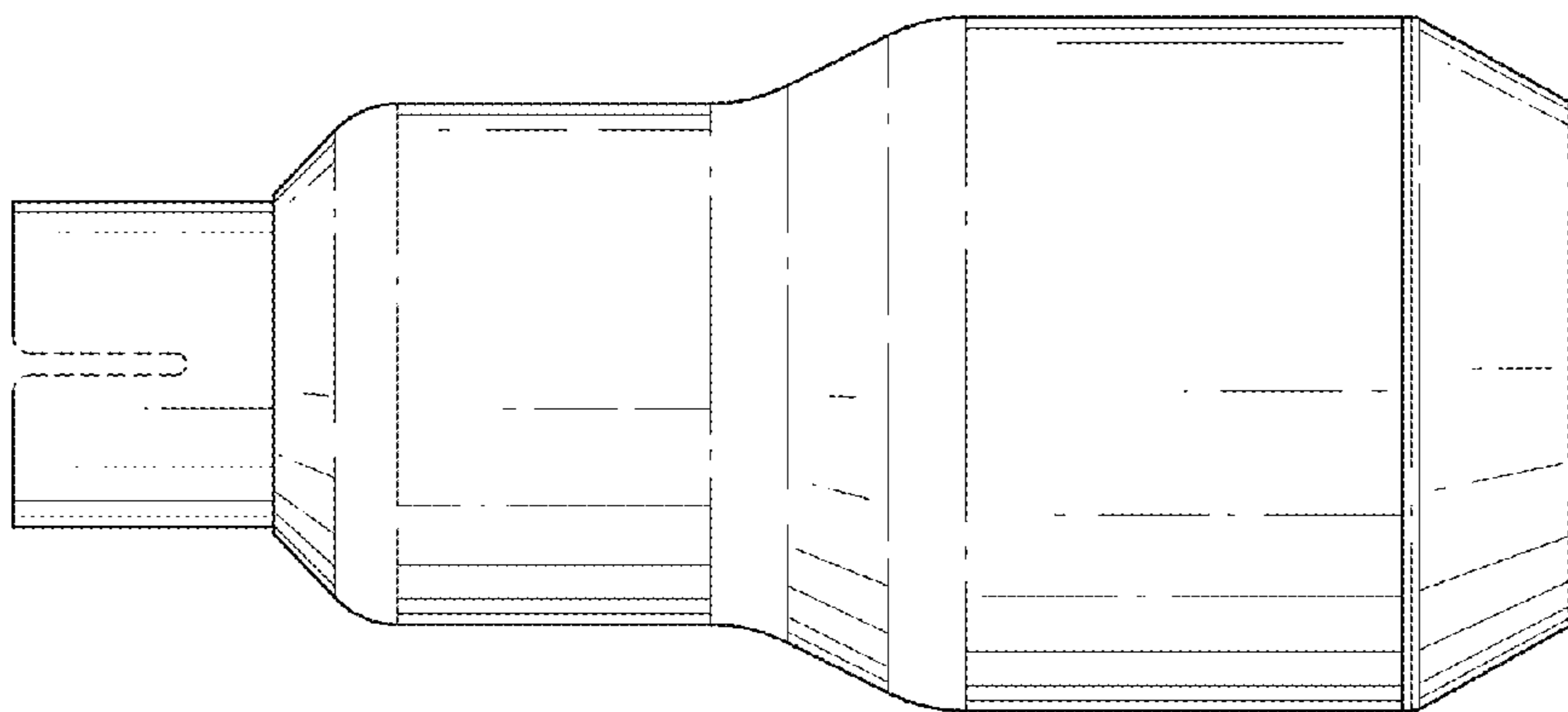


FIG. 4

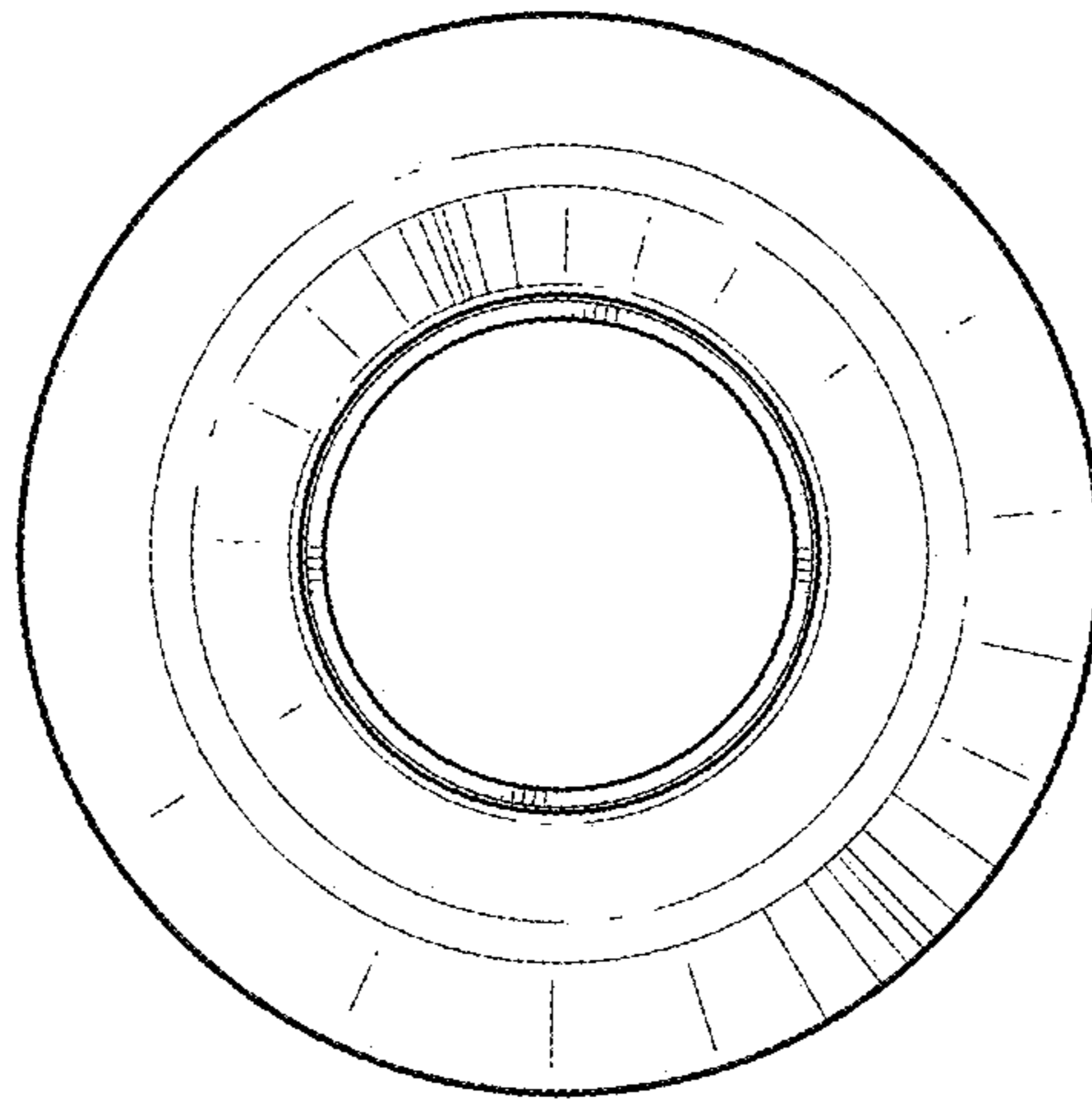


FIG. 5

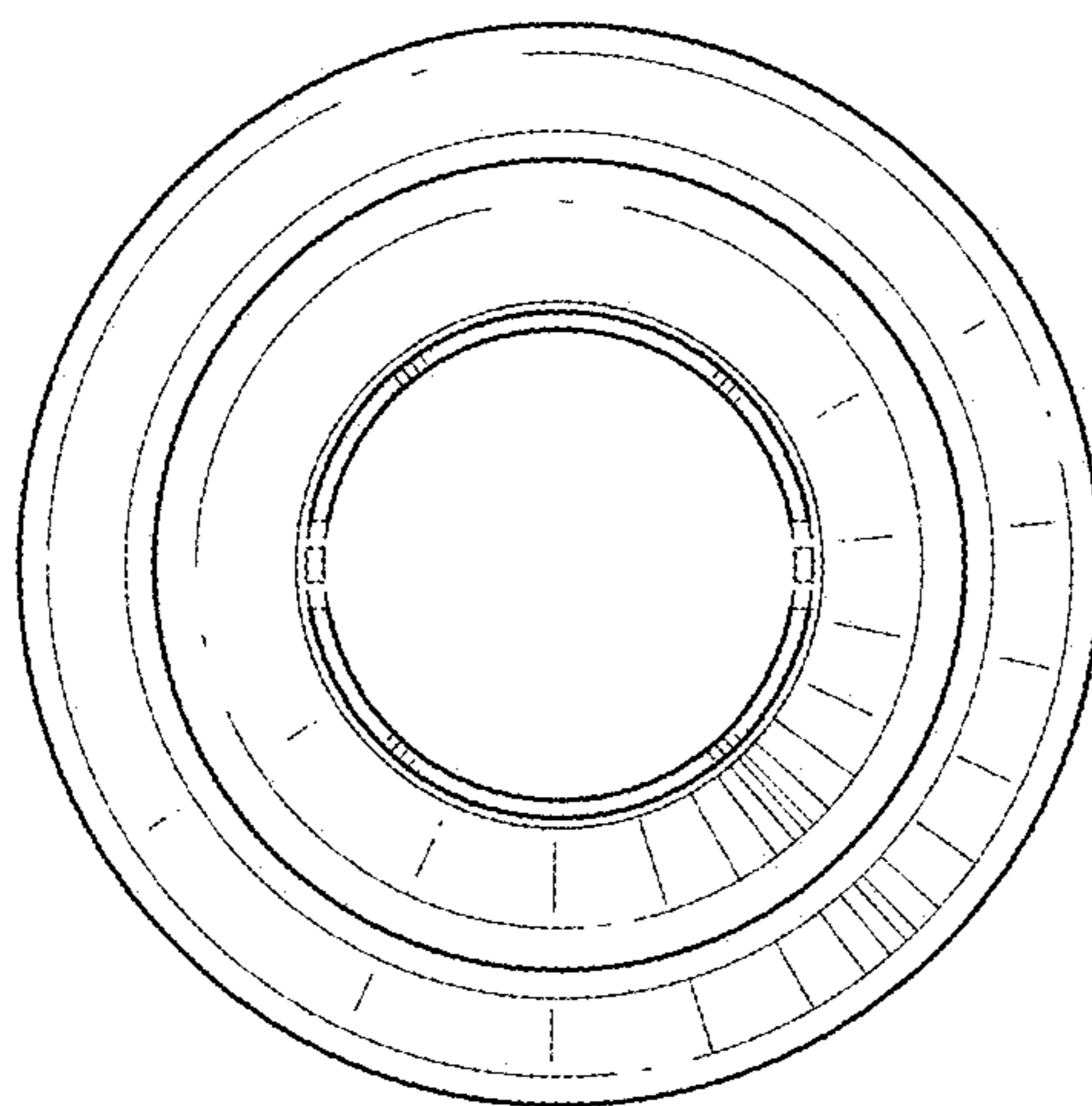


FIG. 6

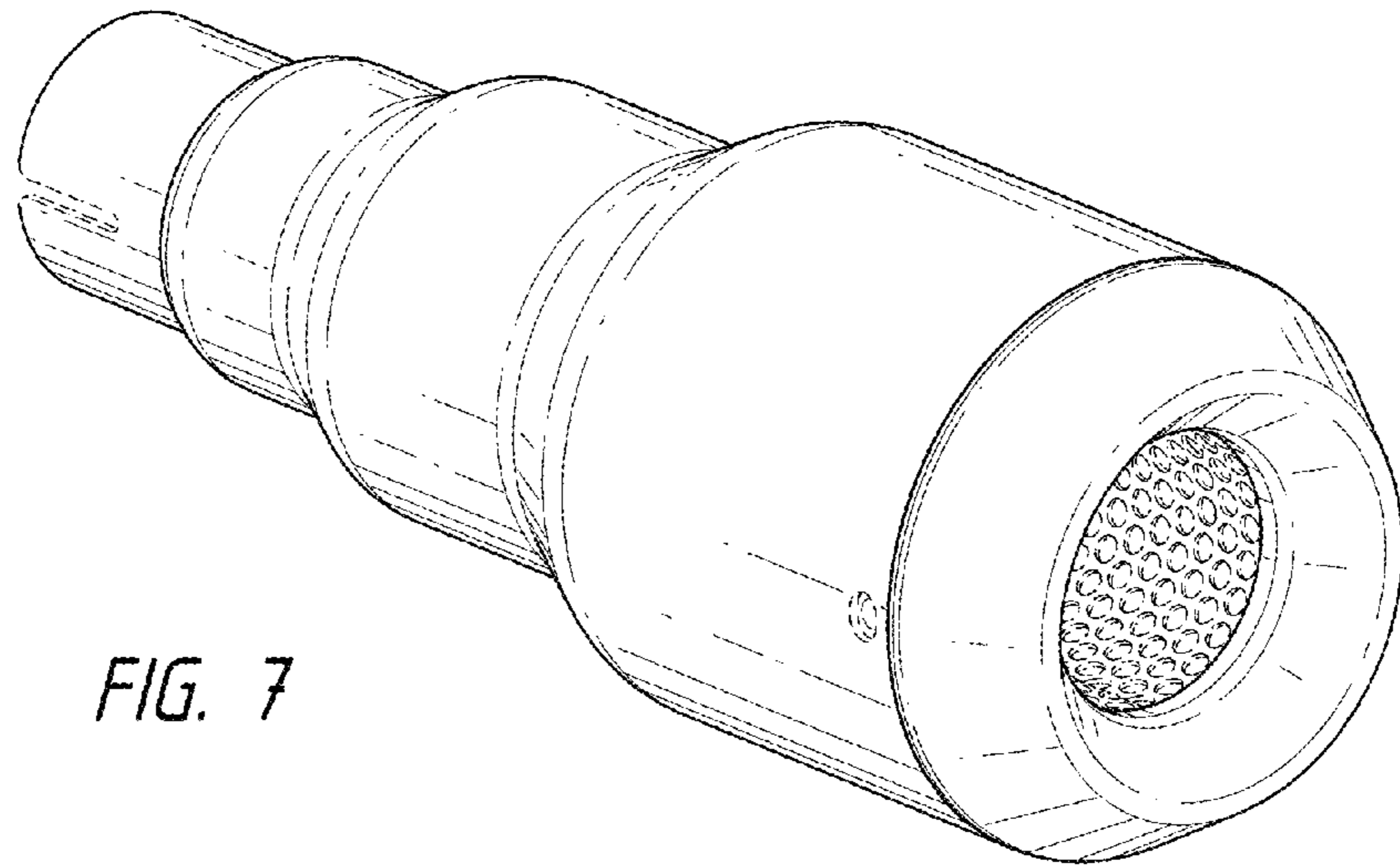


FIG. 7

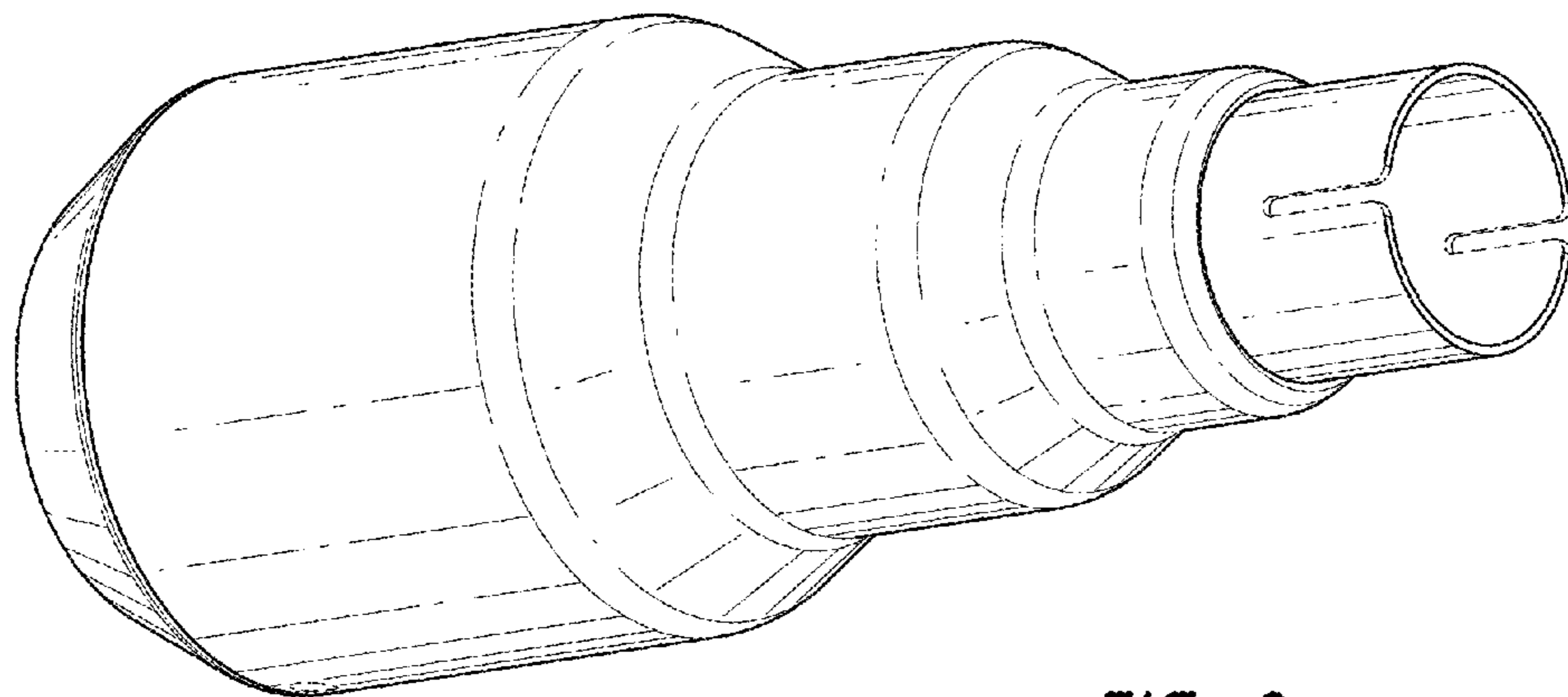


FIG. 8

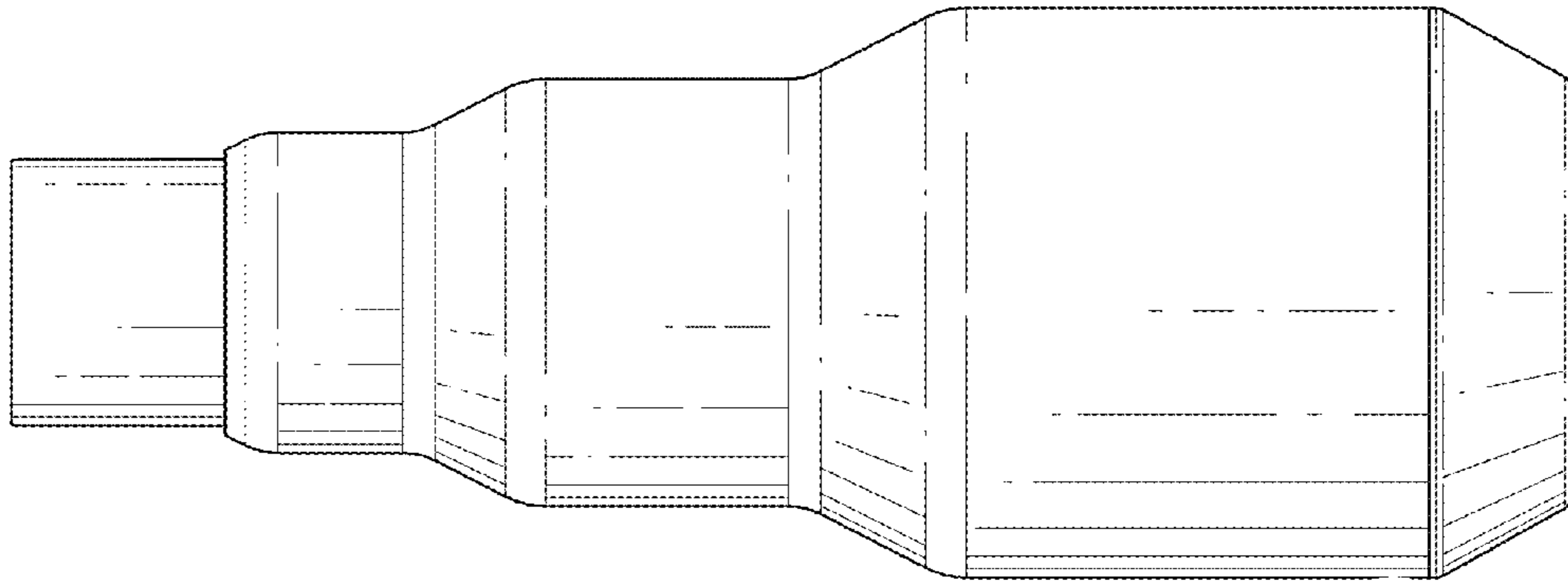


FIG. 9

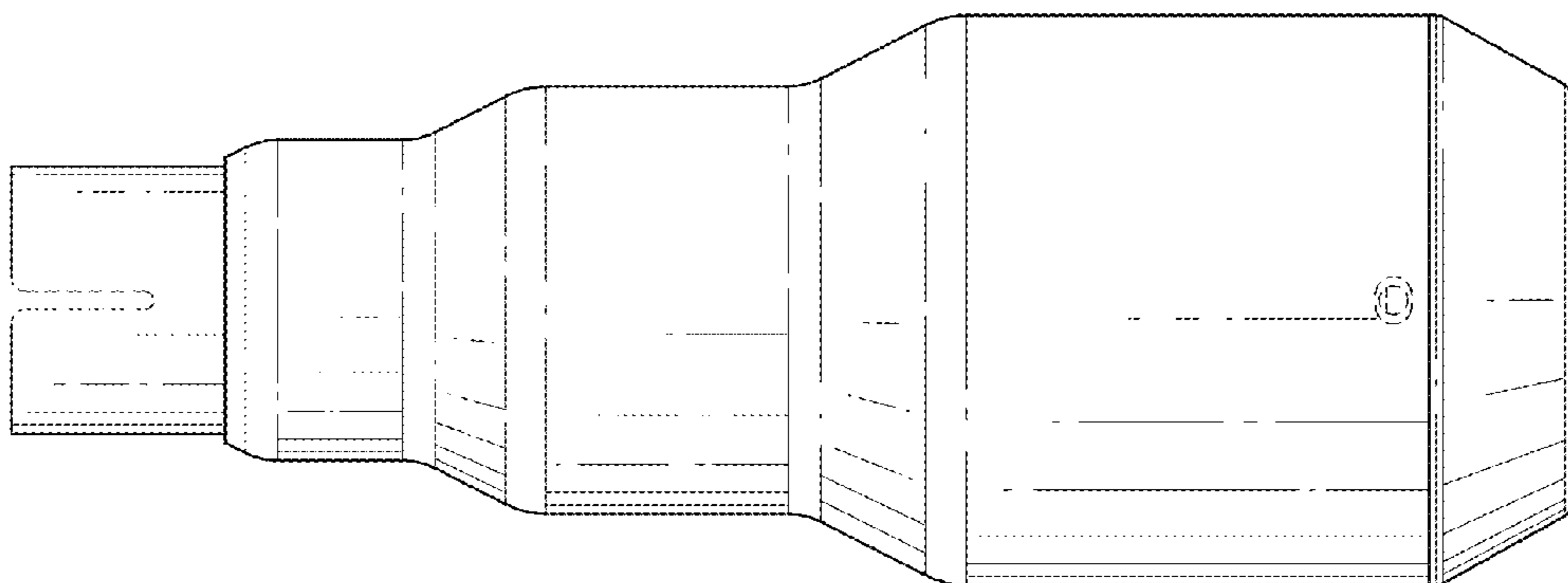


FIG. 10

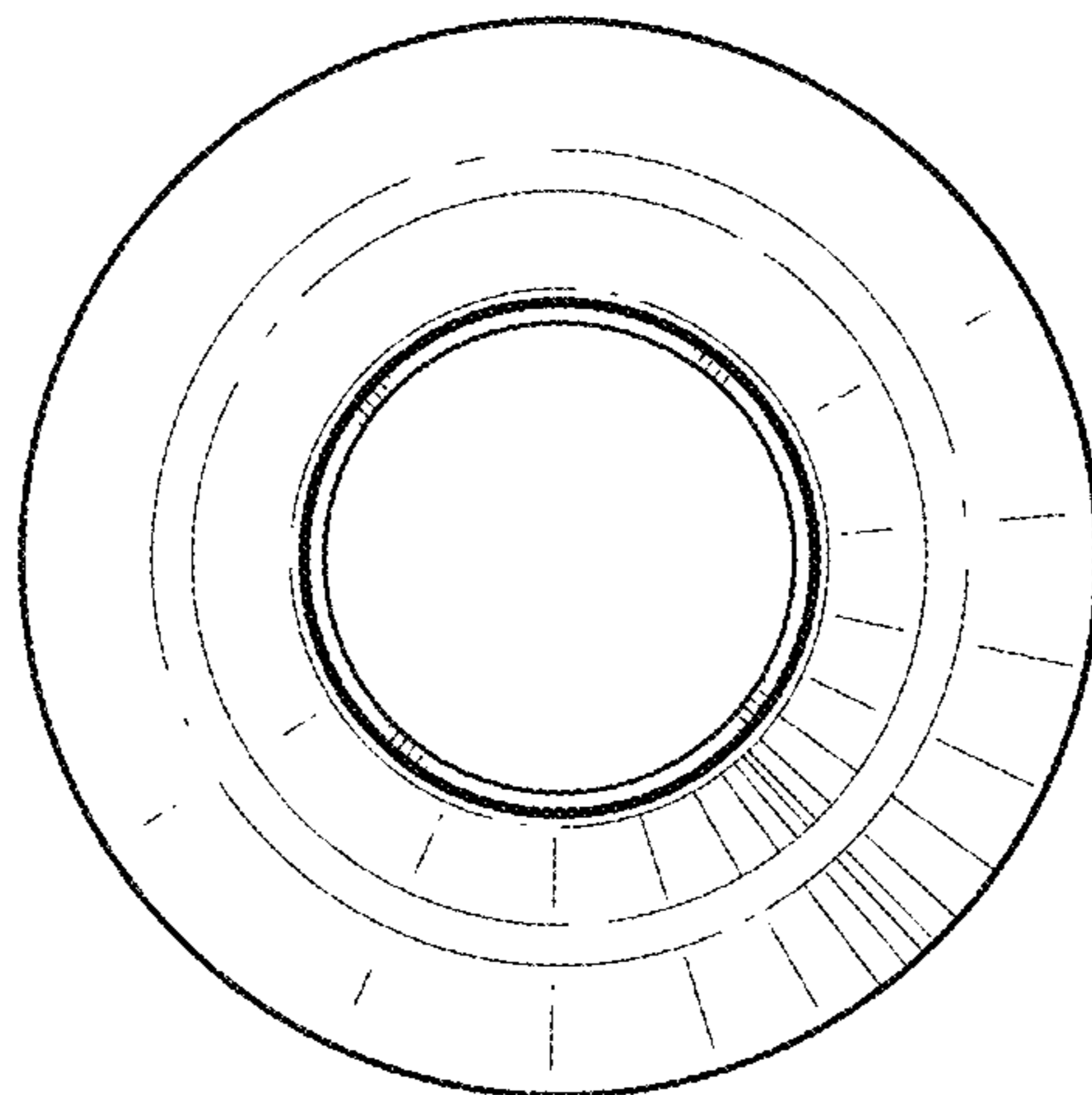


FIG. 11

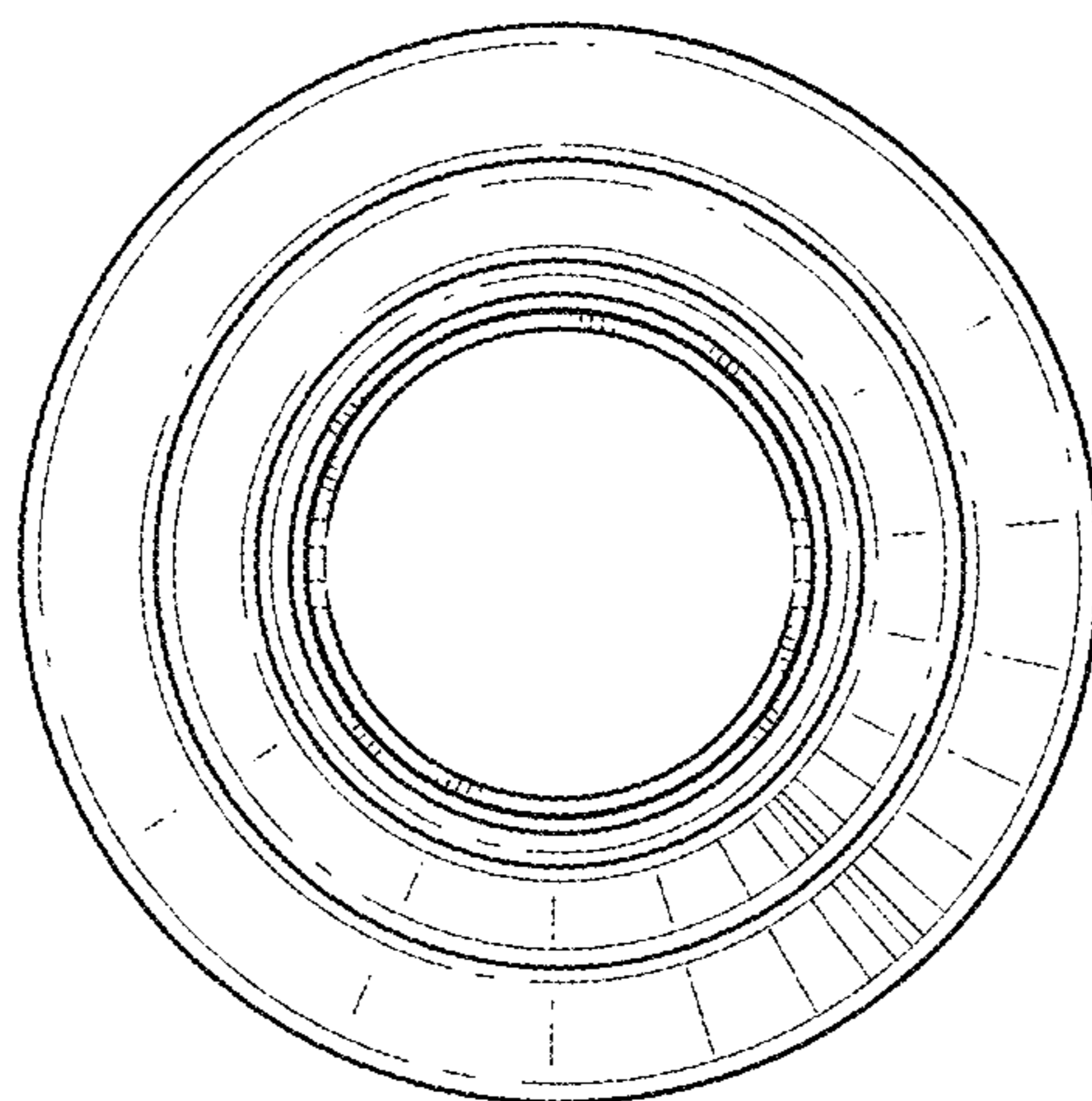


FIG. 12