



US00D767454S

(12) **United States Design Patent** (10) **Patent No.:** **US D767,454 S**  
**McMahan et al.** (45) **Date of Patent:** **\*\* Sep. 27, 2016**

(54) **VEHICLE REAR BUMPER**  
(71) Applicant: **GM GLOBAL TECHNOLOGY OPERATIONS LLC**, Detroit, MI (US)  
(72) Inventors: **Robert B. McMahan**, Bloomfield Hills, MI (US); **Brendon C. Mackay**, Shelby Township, MI (US); **Tyler L. H. Moffett**, Detroit, MI (US)  
(73) Assignee: **GM Global Technology Operations LLC**, Detroit, MI (US)  
(\*\*) Term: **15 Years**  
(21) Appl. No.: **29/544,900**  
(22) Filed: **Nov. 6, 2015**

D570,742 S 6/2008 Takagi et al.  
D589,407 S \* 3/2009 Krugger ..... D12/98  
D592,105 S 5/2009 Dean et al.  
D597,447 S 8/2009 Folden  
D600,595 S 9/2009 Nakamura et al.  
D601,925 S 10/2009 O'Donnell  
D603,755 S 11/2009 Peters  
D604,203 S 11/2009 O'Donnell  
D605,082 S 12/2009 Munson  
D605,083 S 12/2009 Manoogian, II et al.  
D605,977 S 12/2009 Zipfel et al.  
D605,978 S 12/2009 Wolff et al.  
D608,249 S 1/2010 Peters  
D608,690 S 1/2010 Folden et al.  
D608,691 S 1/2010 Zak, Jr. et al.  
D609,608 S 2/2010 Boniface et al.  
D611,387 S 3/2010 Thompson et al.  
D611,879 S 3/2010 Kim et al.  
D612,297 S 3/2010 Peters et al.  
D613,645 S 4/2010 Song et al.  
D615,458 S 5/2010 Thompson et al.  
D618,595 S 6/2010 Ware et al.  
D623,090 S 9/2010 Cox et al.

**Related U.S. Application Data**

(63) Continuation of application No. 29/506,080, filed on Oct. 13, 2014, now Pat. No. Des. 749,997.  
(51) **LOC (10) Cl.** ..... **12-16**  
(52) **U.S. Cl.**  
USPC ..... **D12/169**  
(58) **Field of Classification Search**  
USPC ..... D12/169, 216, 90-92, 86, 171, 196, D12/163; 293/102, 113, 115, 117, 120; 296/180.1, 180.2  
CPC ..... B60R 19/52; B60R 2019/25; B62D 25/0845  
See application file for complete search history.

(Continued)

*Primary Examiner* — Melody N Brown  
(74) *Attorney, Agent, or Firm* — Reising Ethington P.C.

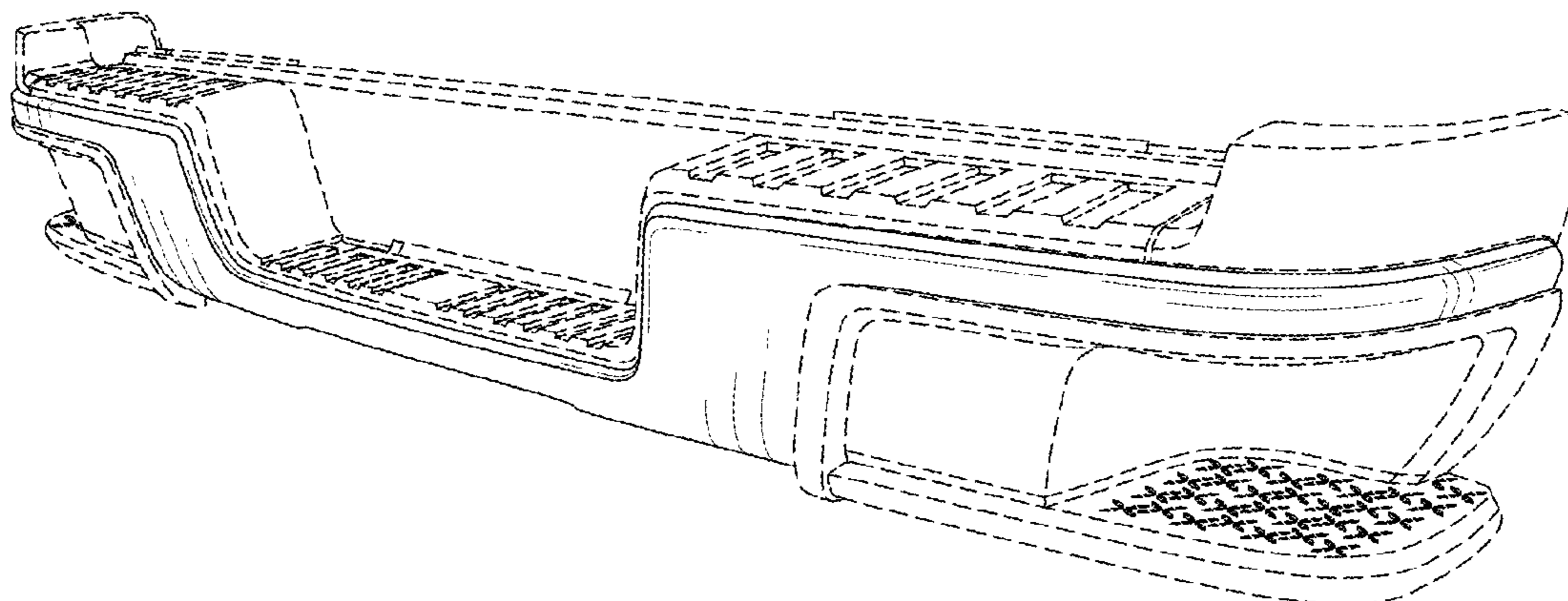
(57) **CLAIM**  
The ornamental design for a vehicle rear bumper, as shown and described.

**DESCRIPTION**

FIG. 1 is a front perspective view of the vehicle rear bumper; FIG. 2 is a left side elevation view thereof; FIG. 3 is a top plan view thereof; and, FIG. 4 is a front view thereof.  
The right side elevation view of the vehicle rear bumper is omitted because the right side elevation view is identical to the left side elevation view. And the broken lines shown in the drawings depict portions that form no part of the claimed design.

(56) **References Cited**  
U.S. PATENT DOCUMENTS  
D501,809 S \* 2/2005 Metros ..... D12/169  
D512,351 S \* 12/2005 Hattori ..... D12/169  
D531,556 S \* 11/2006 Metros ..... D12/169  
D570,249 S \* 6/2008 O'Donnell ..... D12/91

**1 Claim, 1 Drawing Sheet**



(56)

References Cited

U.S. PATENT DOCUMENTS

D627,262 S	11/2010	Ikeda et al.	D716,706 S	11/2014	Thole et al.
D635,488 S	4/2011	Phipps	D716,709 S	11/2014	Thole et al.
D644,147 S	8/2011	Suh et al.	D717,696 S	11/2014	Thole et al.
D644,567 S	9/2011	Kozub	D718,189 S	11/2014	Krieg et al.
D657,718 S	4/2012	Zipfel et al.	D718,683 S	12/2014	Thole et al.
D659,052 S	5/2012	Ware et al.	D722,282 S	2/2015	Loeb
D659,053 S	5/2012	Ware et al.	D722,533 S	2/2015	Thole et al.
D668,182 S	10/2012	Franco	D722,534 S	2/2015	Munson et al.
D668,183 S	10/2012	Smart	D724,510 S	3/2015	McMahan et al.
D678,820 S	3/2013	Song et al.	D725,001 S	3/2015	McMahan et al.
D678,821 S	3/2013	Ikeda et al.	D726,591 S	4/2015	Jacob
D680,909 S	4/2013	Munson et al.	D730,776 S	6/2015	Smart
D680,910 S	4/2013	David	D730,783 S	6/2015	Henriques et al.
D684,899 S	6/2013	Baker	D732,427 S	6/2015	Loeb
D686,536 S	7/2013	McCabe et al.	D732,429 S	6/2015	Loeb
D692,798 S	11/2013	Thurber	D732,430 S	6/2015	Loeb
D692,799 S	11/2013	Smith et al.	D732,431 S	6/2015	Loeb
D696,157 S	12/2013	Loeb	D732,432 S	6/2015	Aengenheyster
D699,629 S	2/2014	Ikeda et al.	D732,433 S	6/2015	Aengenheyster
D700,871 S	3/2014	O'Donnell et al.	D732,435 S	6/2015	Mackay
D703,103 S	4/2014	Lee	D733,002 S	6/2015	Loeb
D704,103 S	5/2014	Mack et al.	D735,611 S	8/2015	Aengenheyster
D705,132 S	5/2014	Ware et al.	D735,627 S	8/2015	Smith
D705,699 S	5/2014	Ware et al.	D736,451 S	8/2015	Smith
D713,298 S	9/2014	Dyson	D739,306 S	9/2015	McMahan et al.
D713,764 S	9/2014	Ferlazzo	D739,317 S	9/2015	McMahan et al.
D716,696 S	11/2014	Thole et al.	D739,798 S *	9/2015	O'Donnell ..... D12/169
			D741,223 S	10/2015	Kim et al.
			D749,997 S *	2/2016	McMahan ..... D12/169

\* cited by examiner

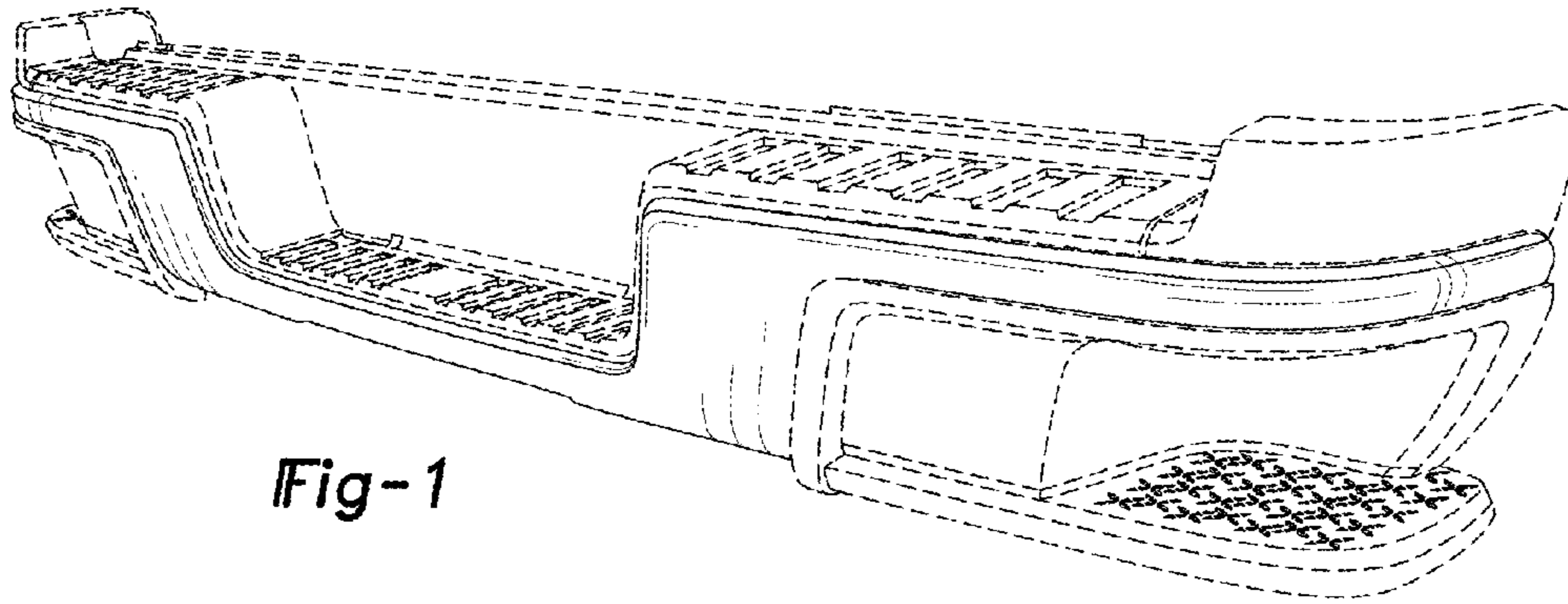


Fig-1

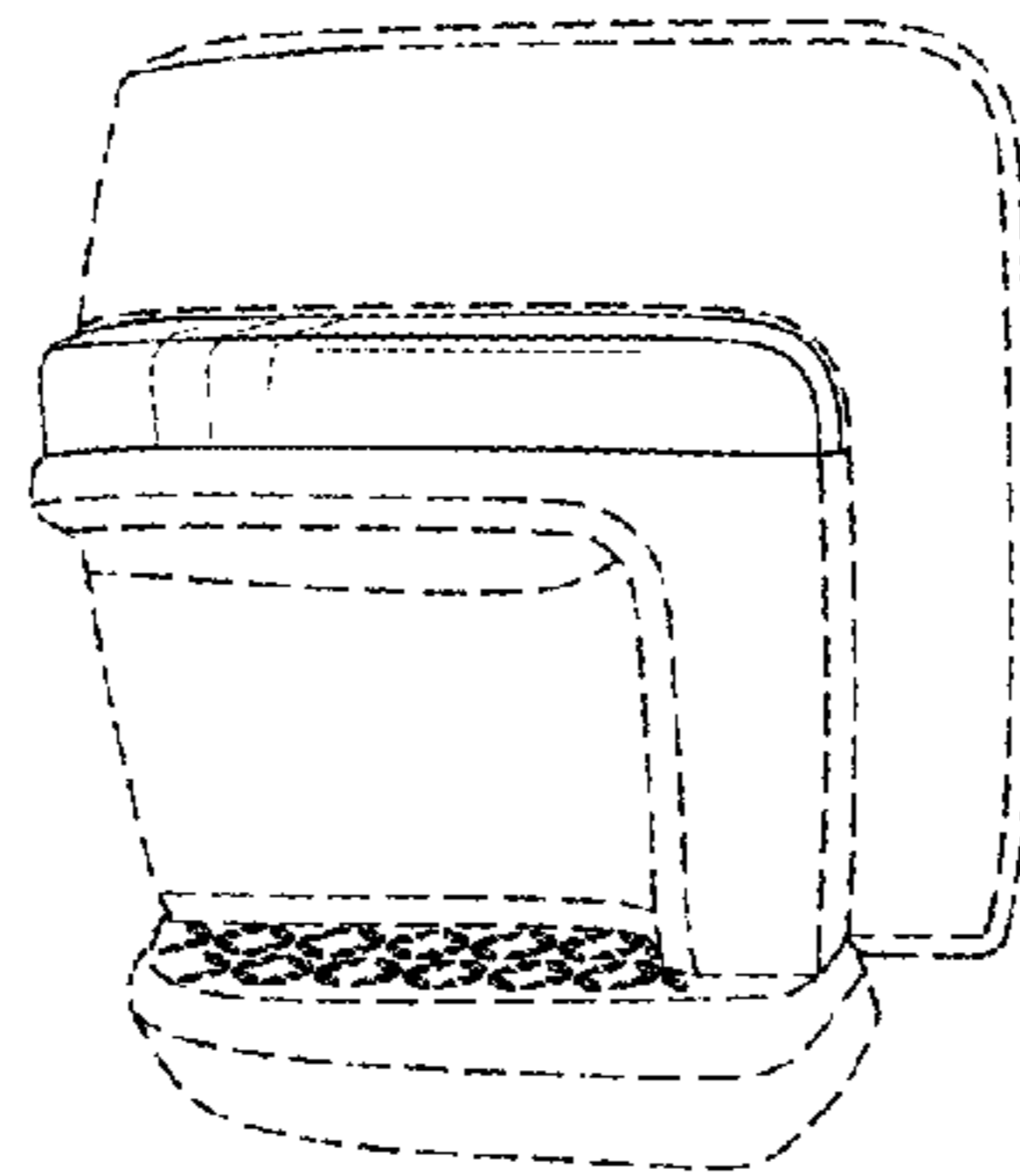


Fig-2

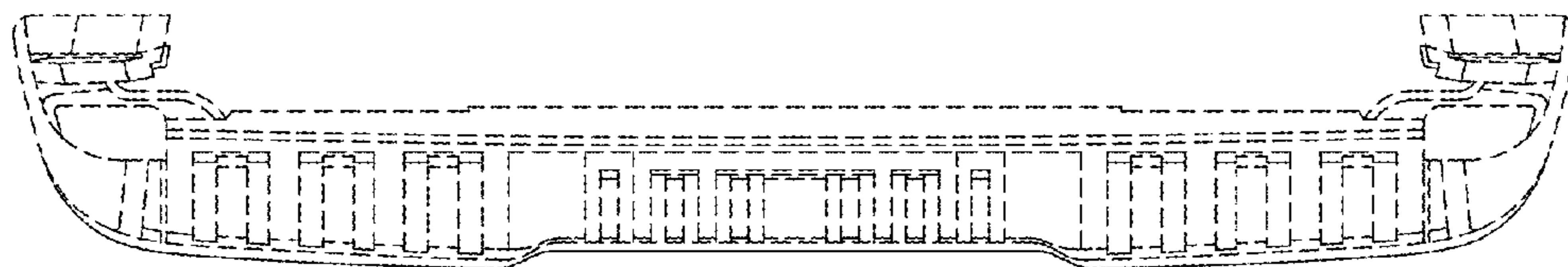


Fig-3

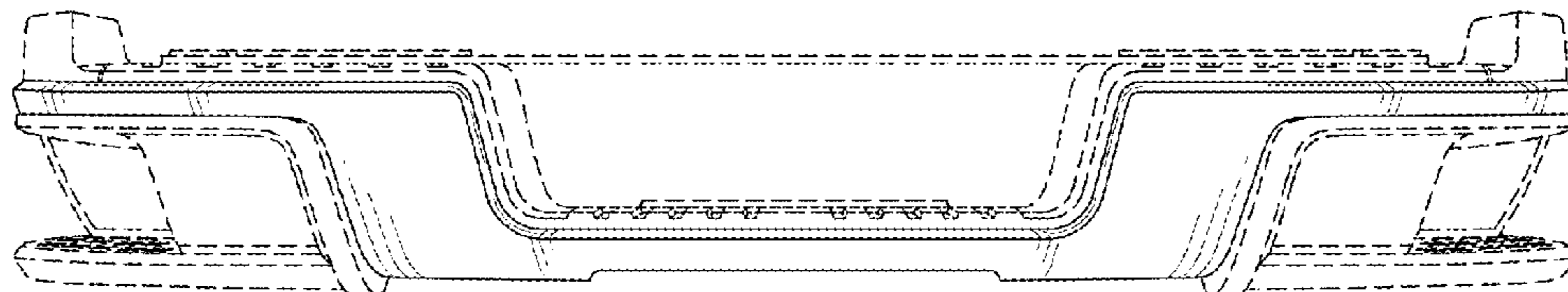


Fig-4