



US00D767452S

(12) **United States Design Patent** (10) **Patent No.:** **US D767,452 S**
Greenblatt et al. (45) **Date of Patent:** **** Sep. 27, 2016**

- (54) **BICYCLE RACK**
- (71) Applicant: **Everlast Climbing Industries, Inc.**,
Mendota Heights, MN (US)
- (72) Inventors: **Joel Greenblatt**, Wauwatosa, WI (US);
Andrew Patrick Kennedy Lageson,
Minneapolis, MN (US)
- (73) Assignee: **EVERLAST CLIMBING**
INDUSTRIES, INC., Mendota Heights,
MN (US)
- (**) Term: **14 Years**
- (21) Appl. No.: **29/512,420**
- (22) Filed: **Dec. 18, 2014**
- (51) **LOC (10) Cl.** **12-11**
- (52) **U.S. Cl.**
USPC **D12/115**
- (58) **Field of Classification Search**
USPC D12/115, 120, 402, 406, 407
CPC B60R 9/06; B60R 9/10; B62H 3/00;
B62H 3/04; B62H 3/08; B62H 3/10
See application file for complete search history.

- D367,022 S * 2/1996 Graber D12/115
- D447,723 S * 9/2001 Spangler D12/115
- D529,433 S * 10/2006 Kane D12/408
- D588,050 S * 3/2009 Levine D12/115
- D613,646 S * 4/2010 Schwartz D12/115
- D665,709 S * 8/2012 Longfellow D12/115
- D697,837 S * 1/2014 Kirn D12/115
- D719,492 S * 12/2014 Rayl D12/115
- D754,032 S * 4/2016 Meredith D12/115

* cited by examiner

Primary Examiner — George D Kirschbaum

Assistant Examiner — Clese Moore, Jr.

(74) *Attorney, Agent, or Firm* — McAndrews, Held & Malloy, Ltd.

(57) **CLAIM**

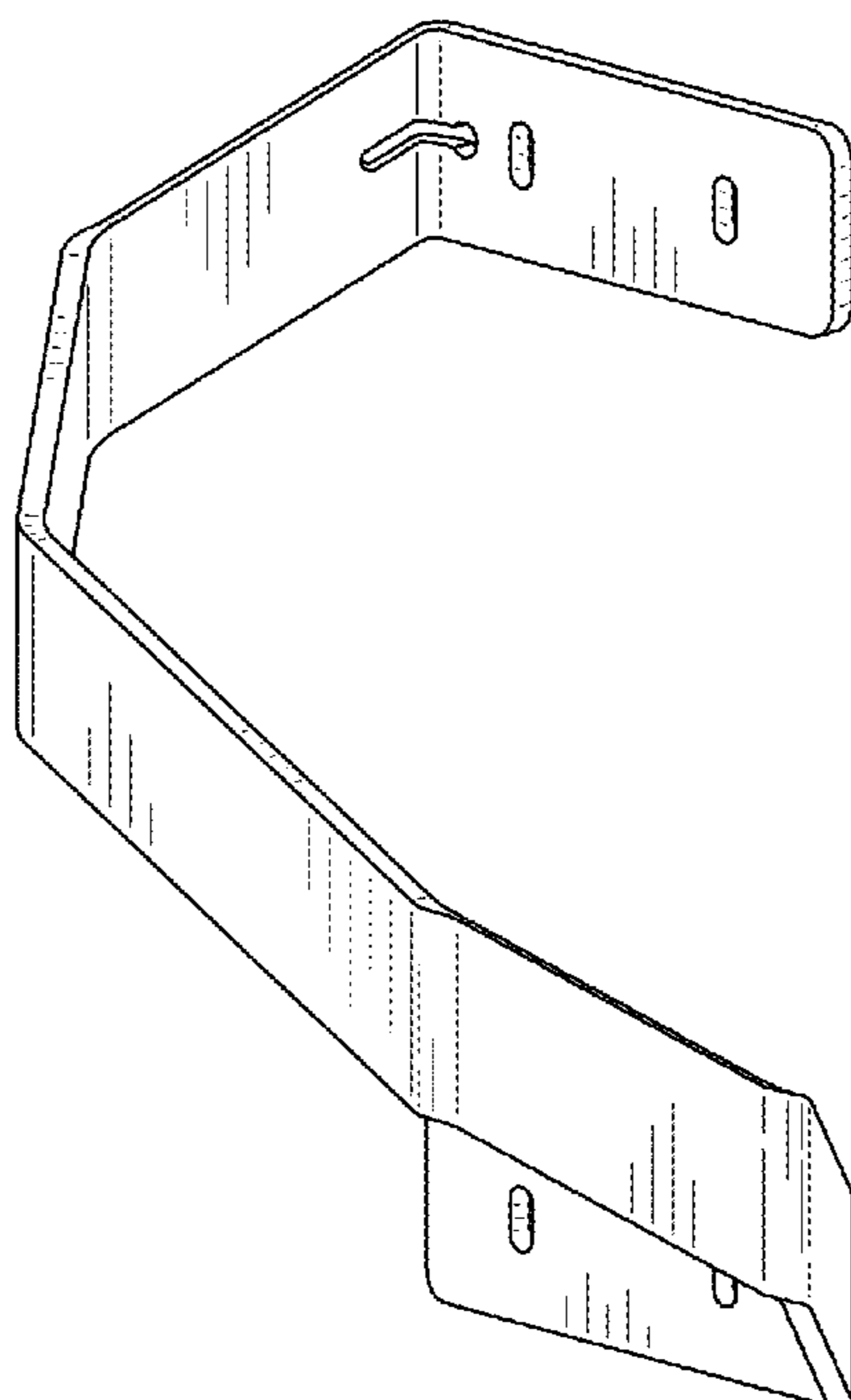
The ornamental design for a bicycle rack, as shown and described.

DESCRIPTION

FIG. 1 is top, front, right side perspective view of a bicycle rack showing my new design;
 FIG. 2 is a front elevational view thereof;
 FIG. 3 is a rear elevational view thereof;
 FIG. 4 is a right side elevational view thereof;
 FIG. 5 is a left side elevational view thereof;
 FIG. 6 is a top plan view thereof;
 FIG. 7 is a bottom plan view thereof; and,
 FIG. 8 is a top, front, ride side perspective view thereof, including unclaimed environmental features.
 The broken lines in FIG. 8, depict environment that form no part of the claimed design.

1 Claim, 4 Drawing Sheets

- (56) **References Cited**
U.S. PATENT DOCUMENTS
- D302,258 S * 7/1989 Kalisch D12/115
- D323,307 S * 1/1992 Fernandez-Bell D12/115
- D331,734 S * 12/1992 Rankin D12/115
- D337,083 S * 7/1993 Rankin D12/115



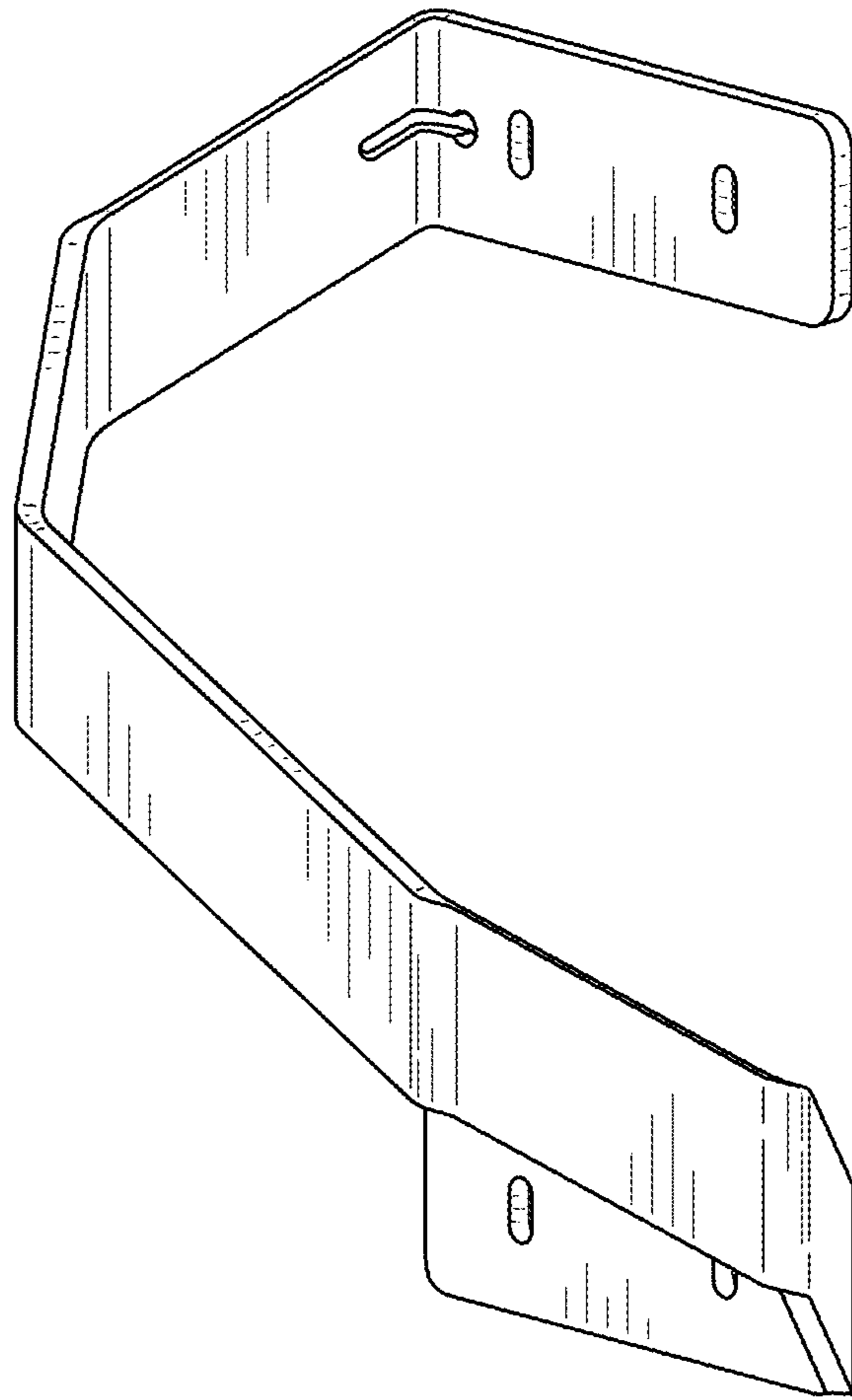


FIG. 1

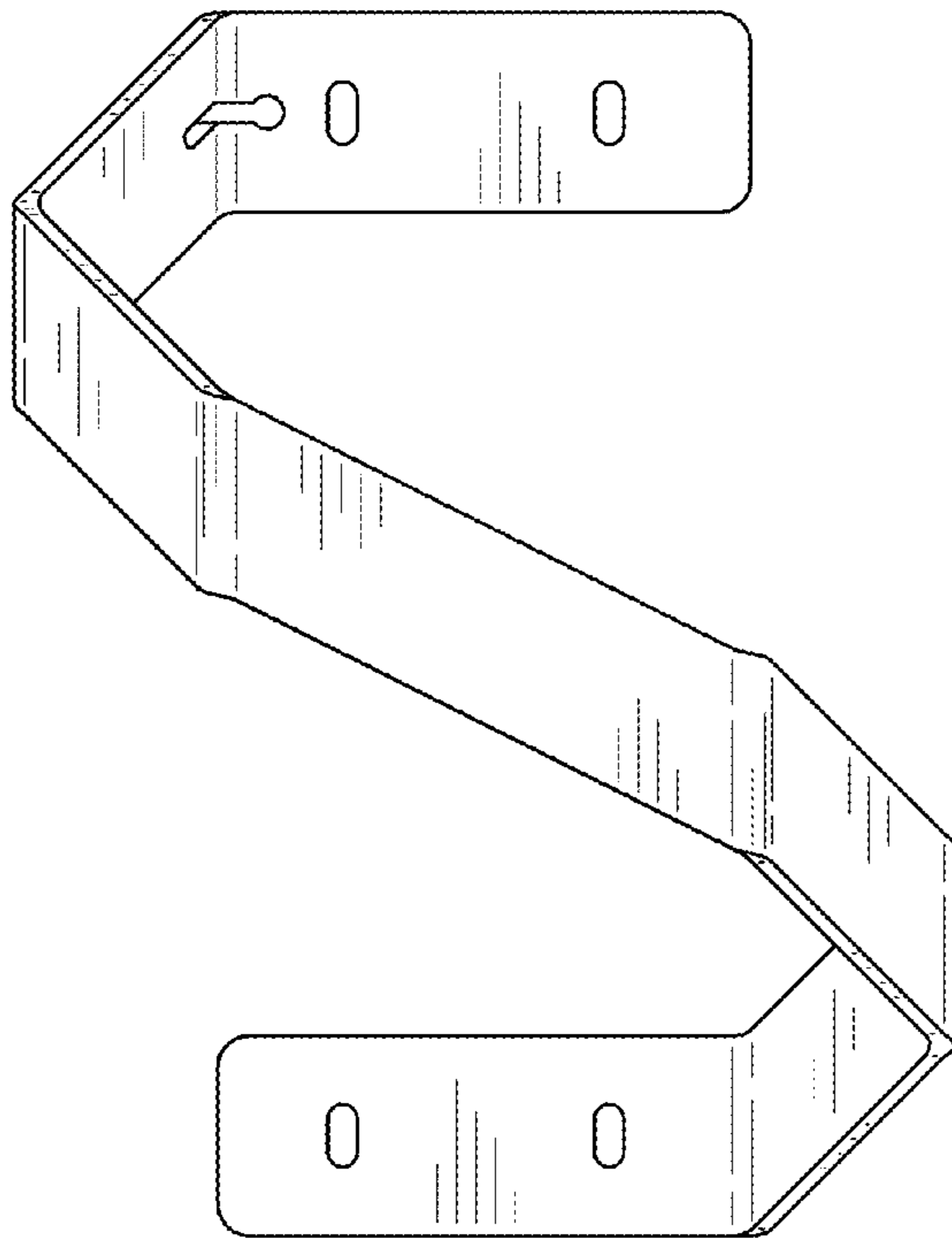


FIG. 2

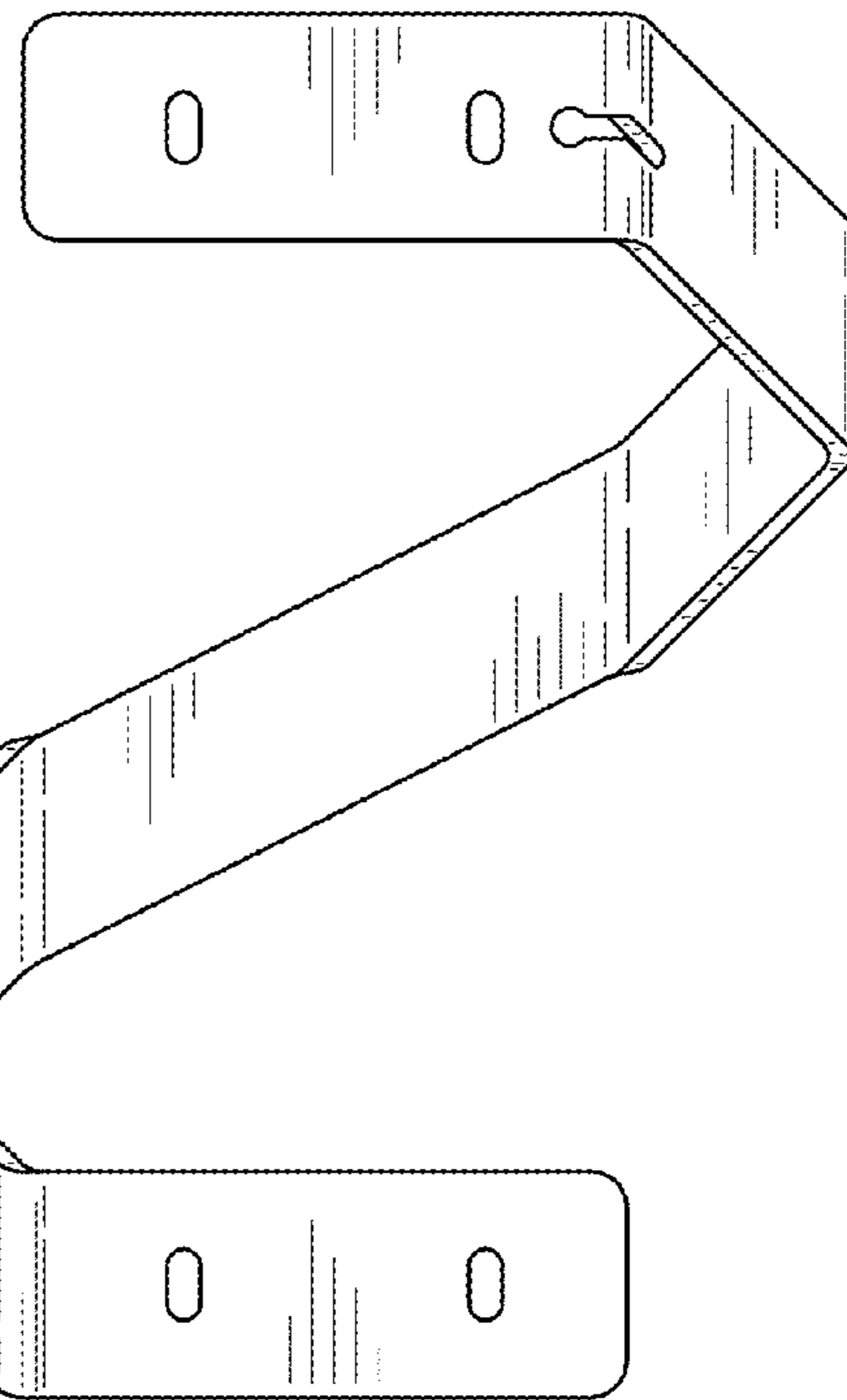


FIG. 3

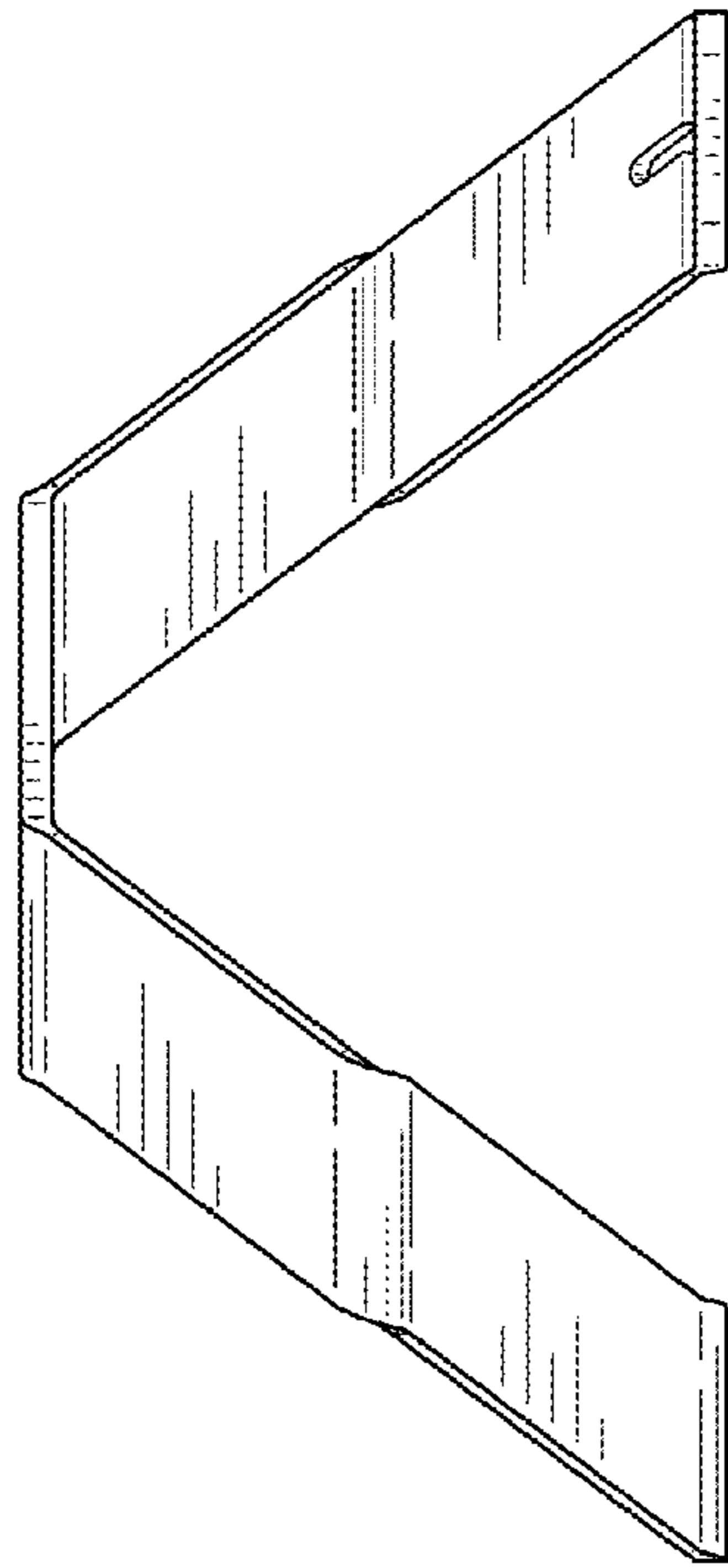


FIG. 4

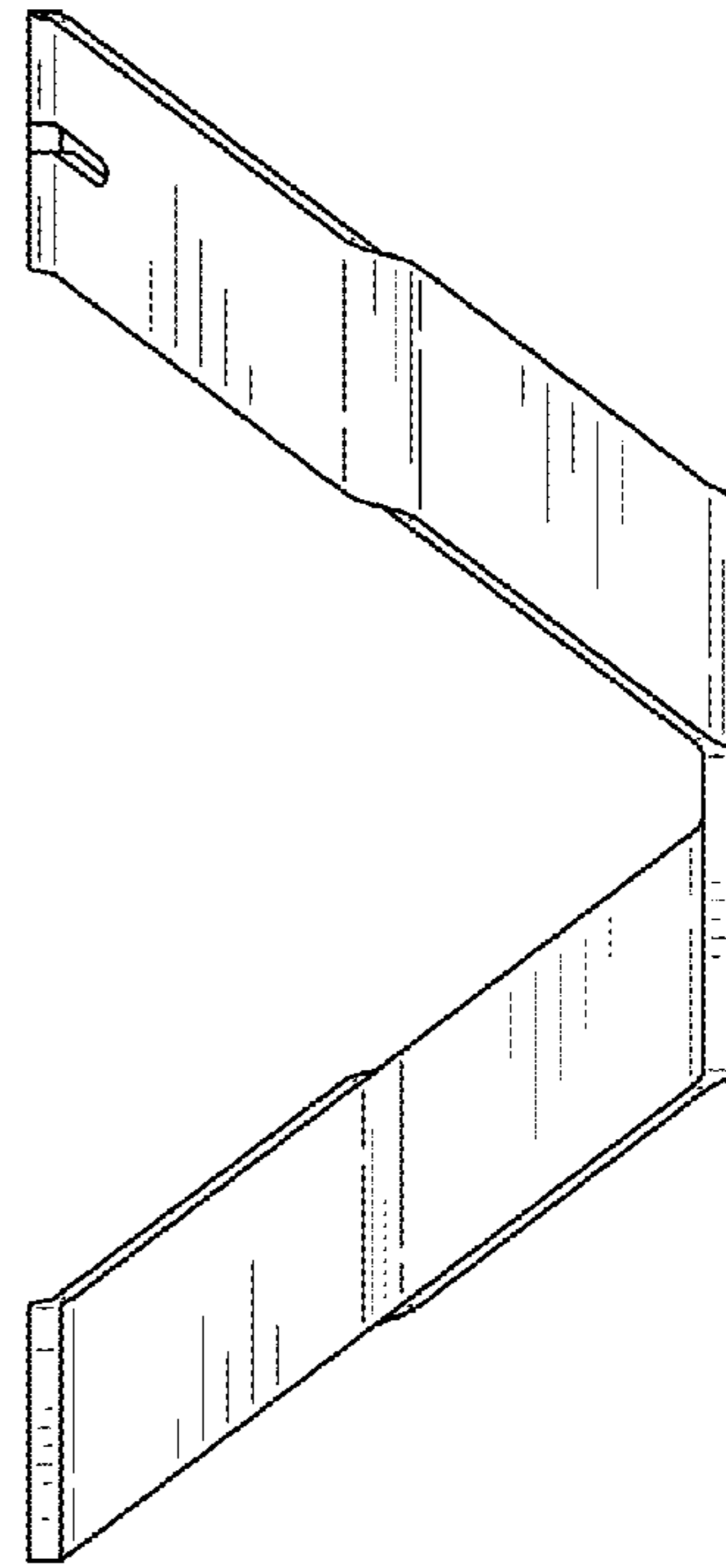


FIG. 5

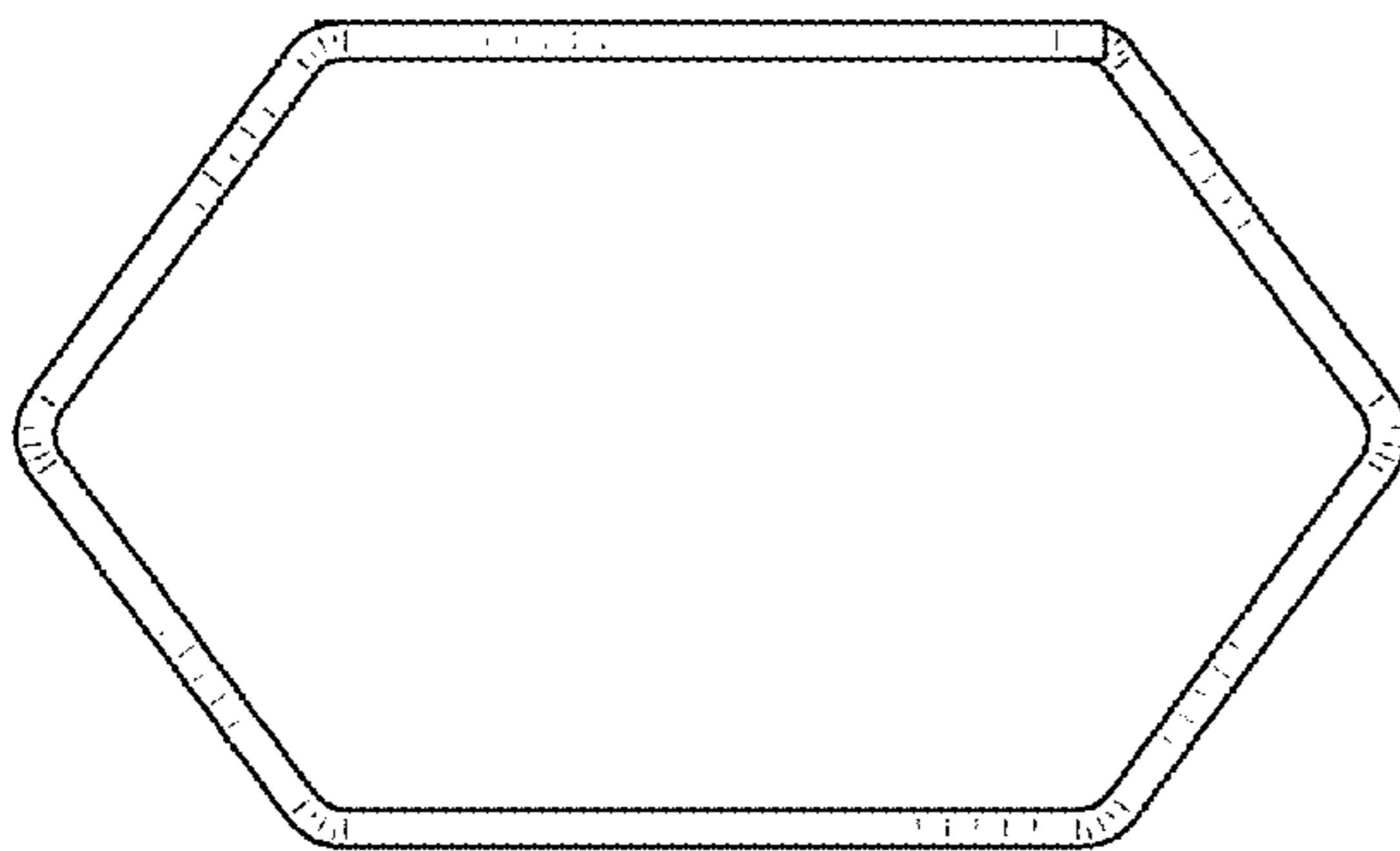


FIG. 6

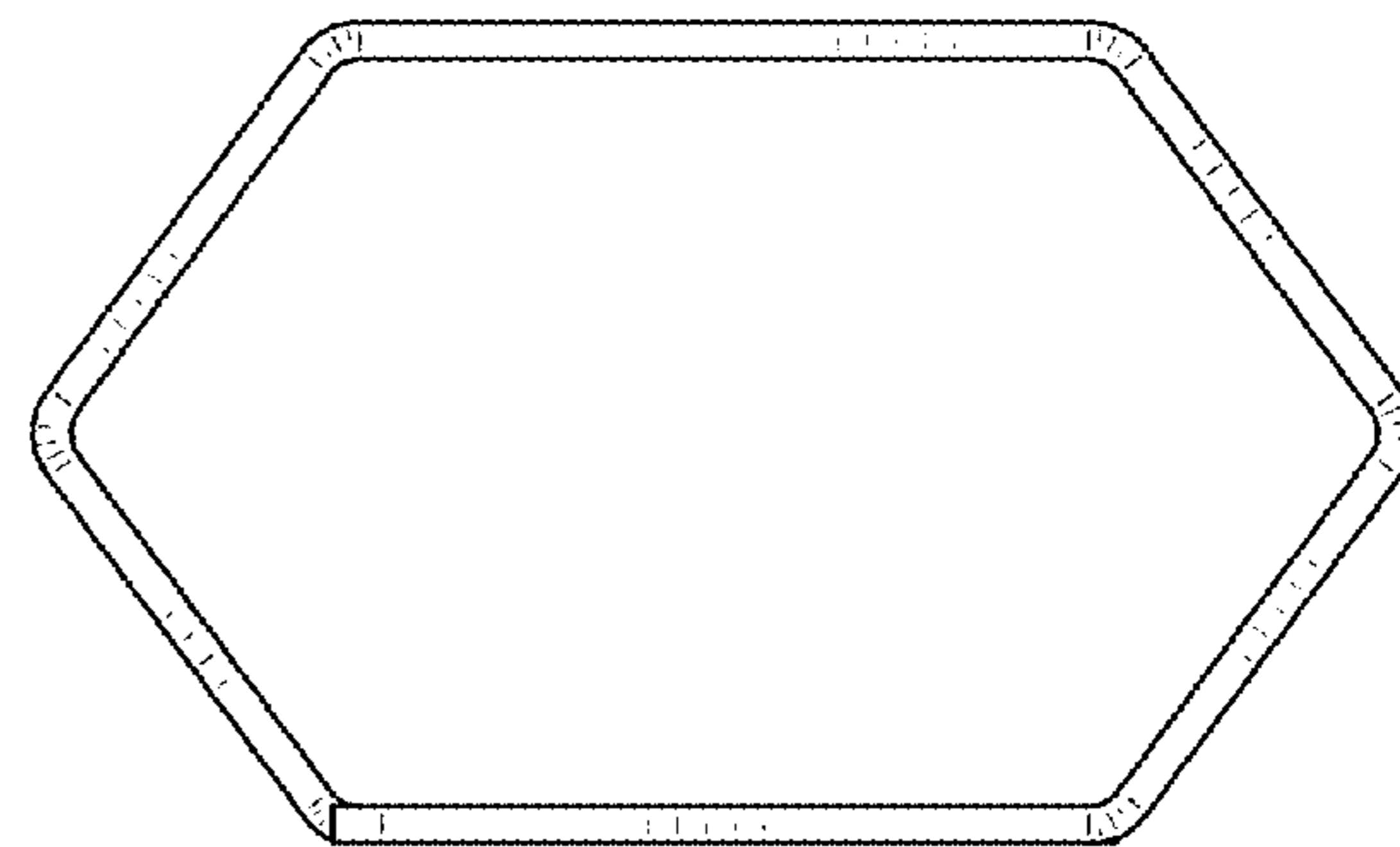


FIG. 7

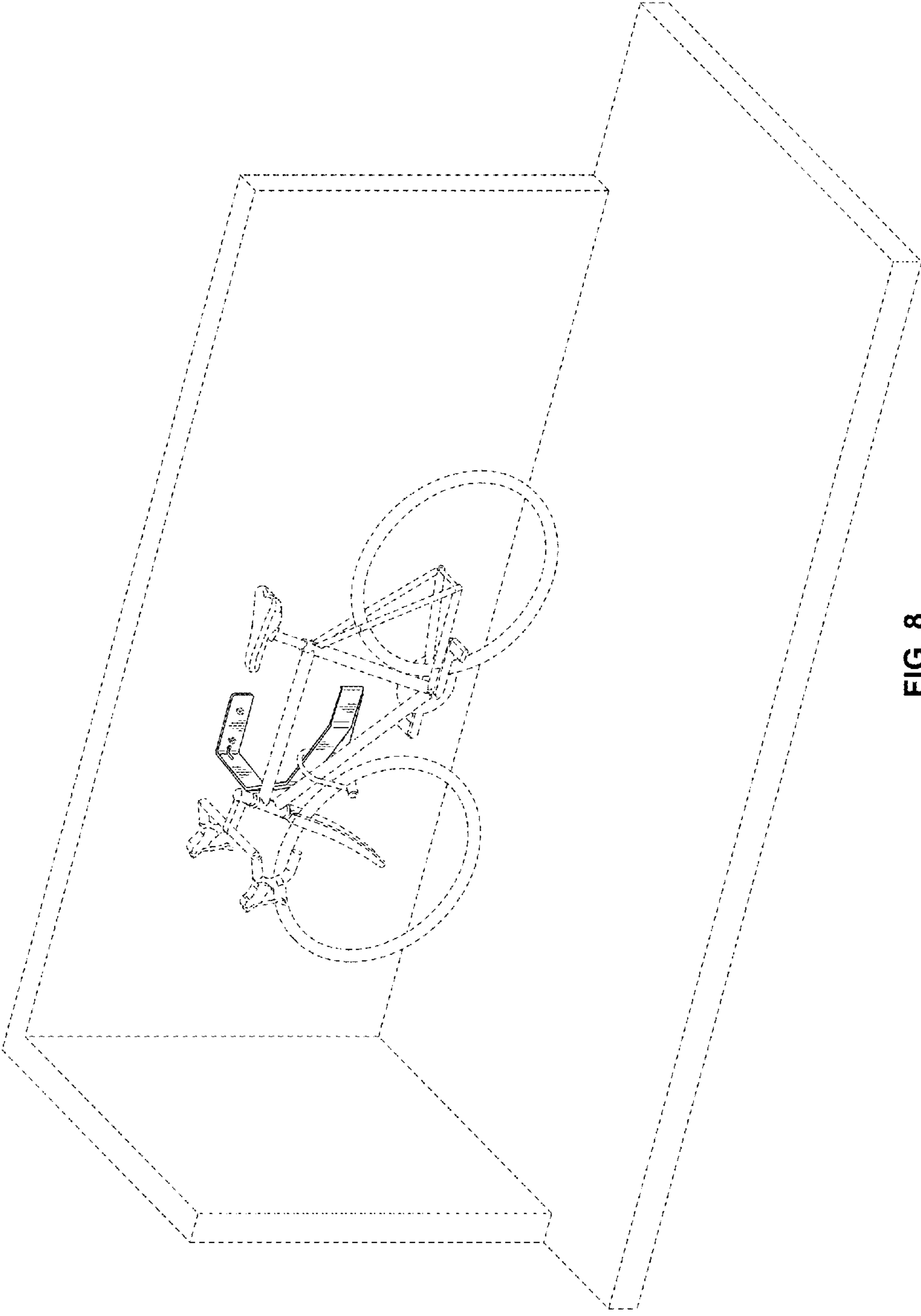


FIG. 8