



US00D767444S

(12) **United States Design Patent** (10) **Patent No.:** **US D767,444 S**
Chun et al. (45) **Date of Patent:** **** Sep. 27, 2016**

- (54) **SIDE-BY-SIDE ALL TERRAIN VEHICLE**
- (71) Applicant: **Polaris Industries Inc.**, Medina, MN (US)
- (72) Inventors: **Kevin J. Chun**, Encinitas, CA (US);
Richard E. Eck, Malone, WI (US)
- (73) Assignee: **Polaris Industries Inc.**, Medina, MN (US)
- (**) Term: **14 Years**
- (21) Appl. No.: **29/492,040**
- (22) Filed: **May 28, 2014**

Related U.S. Application Data

- (62) Division of application No. 29/385,355, filed on Feb. 11, 2011, now Pat. No. Des. 711,778.
- (51) **LOC (10) Cl.** **12-13**
- (52) **U.S. Cl.**
USPC **D12/14**
- (58) **Field of Classification Search**
USPC D12/87, 86, 1, 433, 15, 16, 107, 82, 88,
D12/89, 90, 91, 92, 93; D15/30; D21/803;
180/233, 908; 280/DIG. 5, 183, 184,
280/185, 186, 28, 37.7
- See application file for complete search history.

- (56) **References Cited**
- U.S. PATENT DOCUMENTS
- D621,423 S * 8/2010 Nakanishi et al. D15/23
D716,693 S * 11/2014 Higashikawa D12/14
D716,694 S * 11/2014 Higashikawa D12/14
2005/0173177 A1* 8/2005 Smith et al. 180/233
- * cited by examiner
- Primary Examiner* — T. Chase Nelson
Assistant Examiner — Ania Aman
- (74) *Attorney, Agent, or Firm* — Faegre Baker Daniels LLP

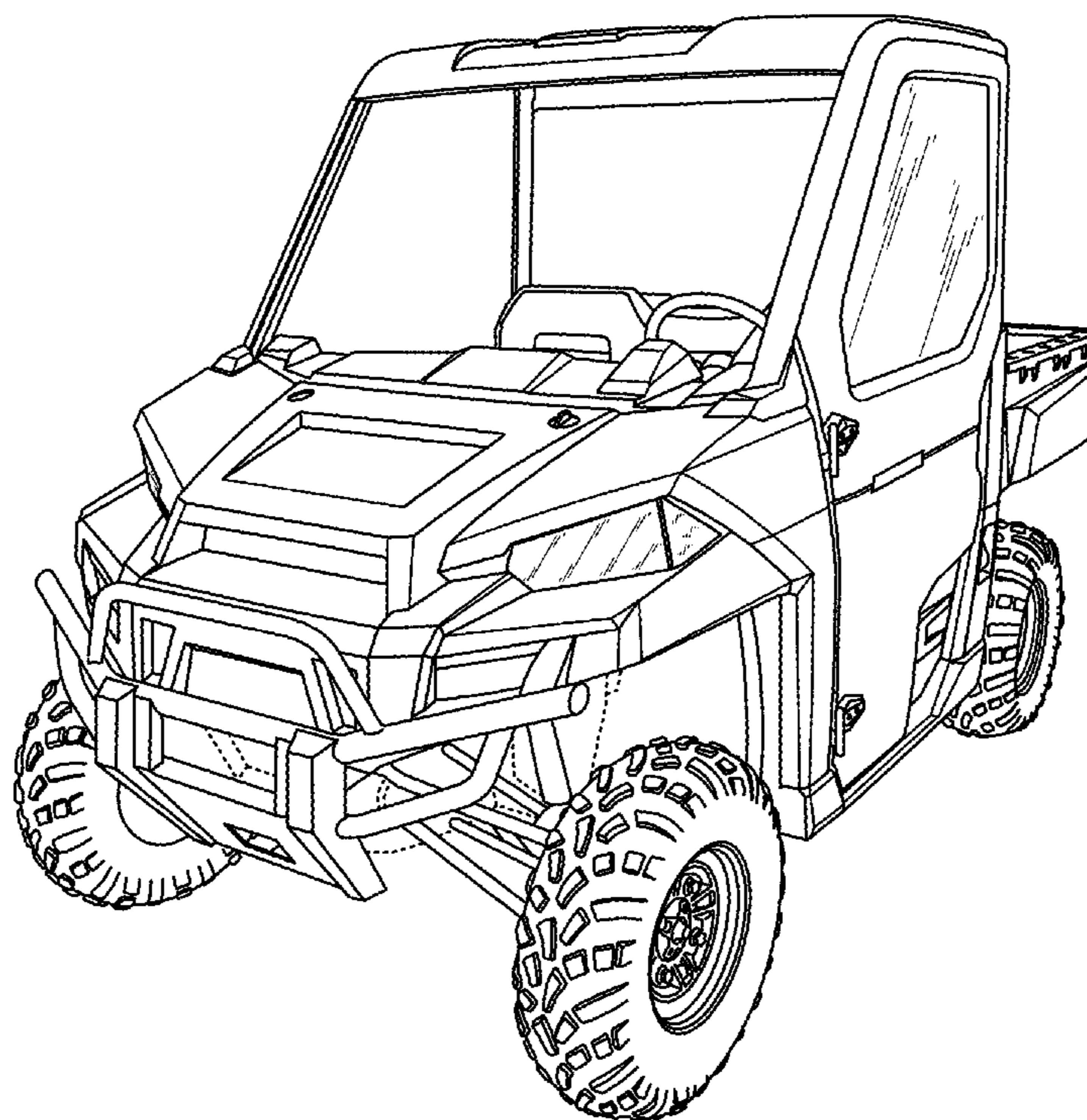
(57) **CLAIM**
The ornamental design for a side-by-side all terrain vehicle, as shown and described.

DESCRIPTION

FIG. 1 is a left front perspective view of a side-by-side all terrain vehicle of the present application;
FIG. 2 is a further left front perspective view of the vehicle of FIG. 1;
FIG. 3 is another left front perspective view of the vehicle of FIG. 1;
FIG. 4 is a left side elevation view of the vehicle of FIG. 1; and,
FIG. 5 is a left rear perspective view of the vehicle of FIG. 1.

The broken lines depict portions of the side-by-side all terrain vehicle that form no part of the claimed design.

1 Claim, 5 Drawing Sheets



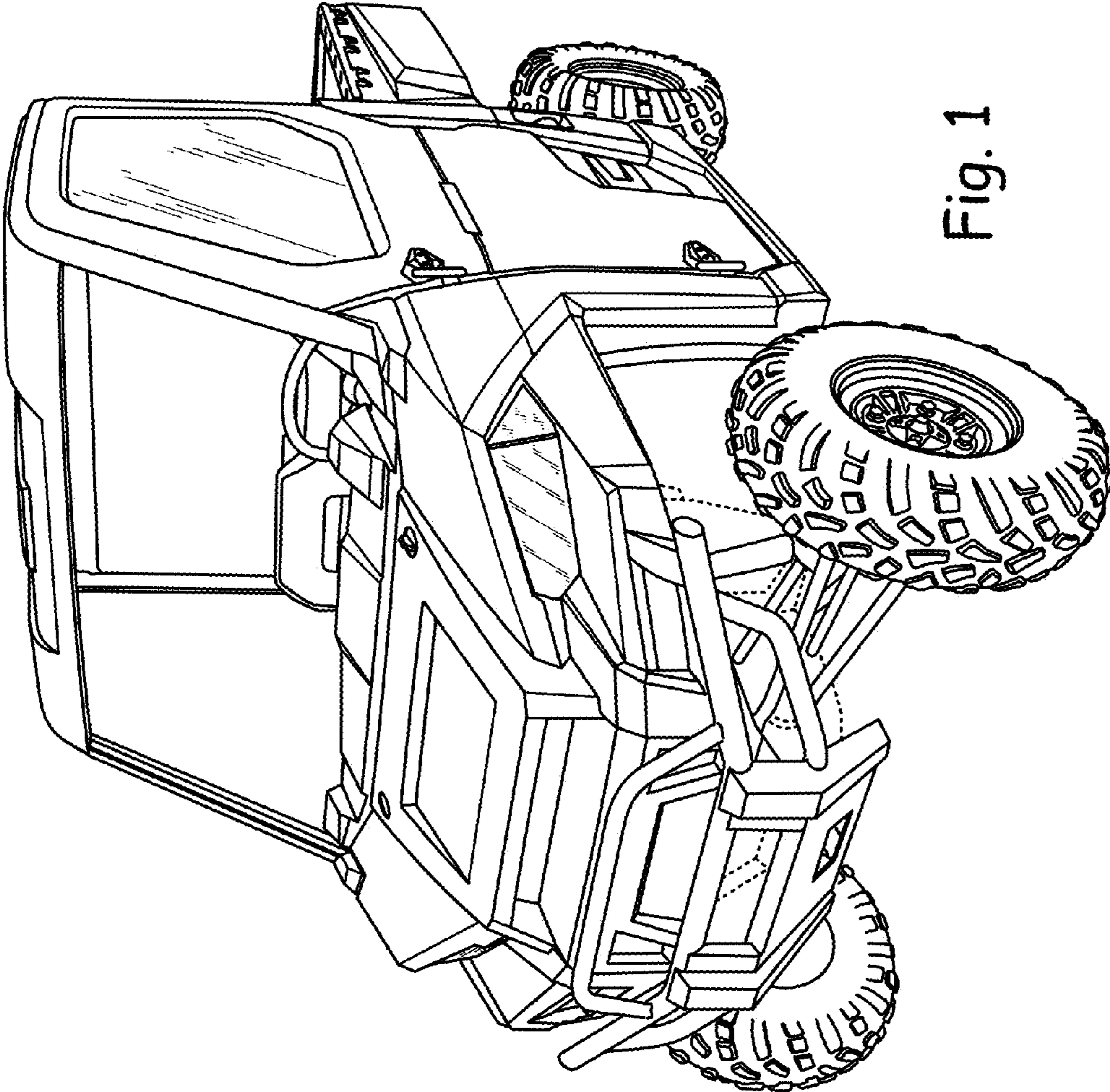


Fig. 1

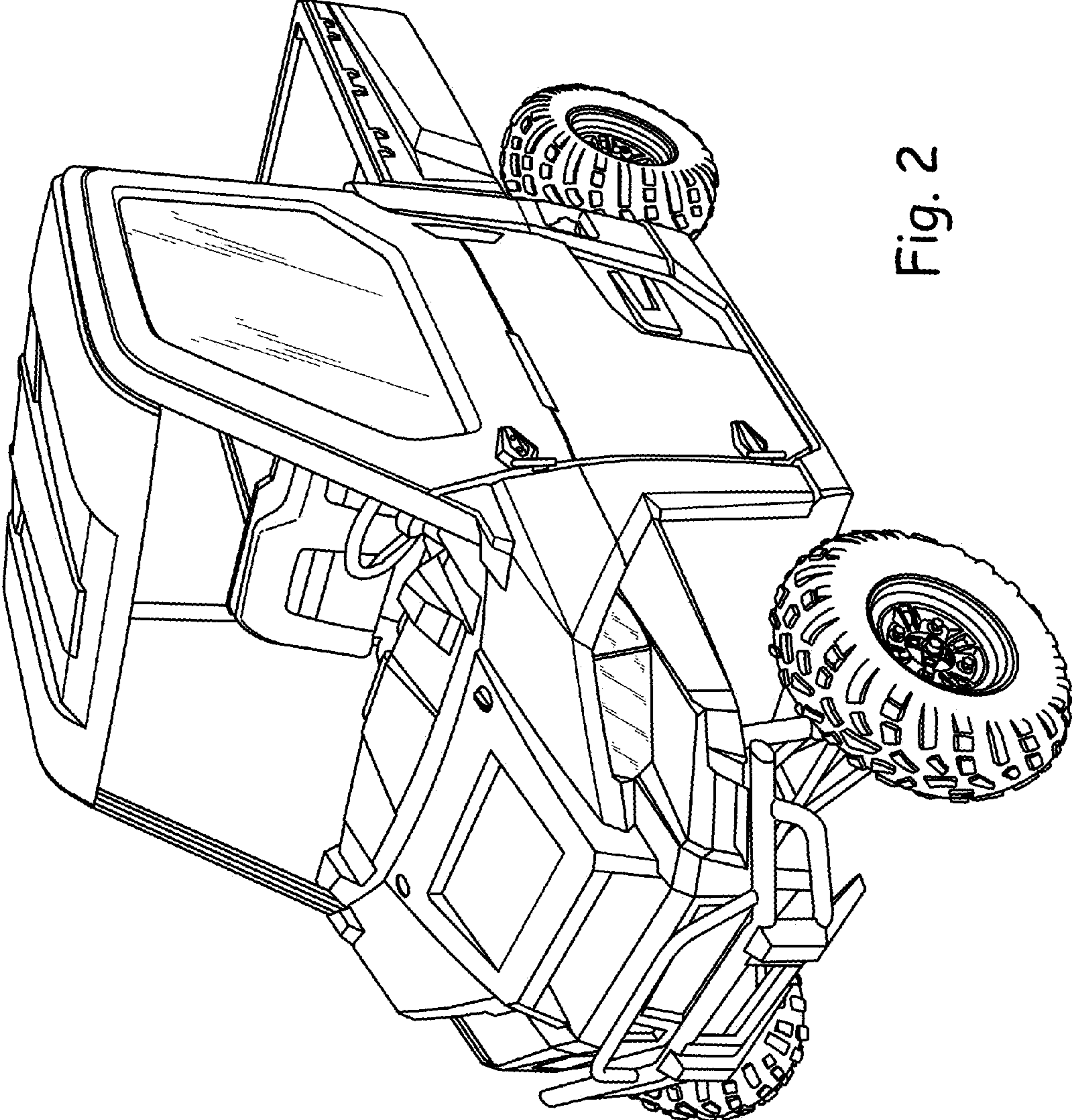


Fig. 2

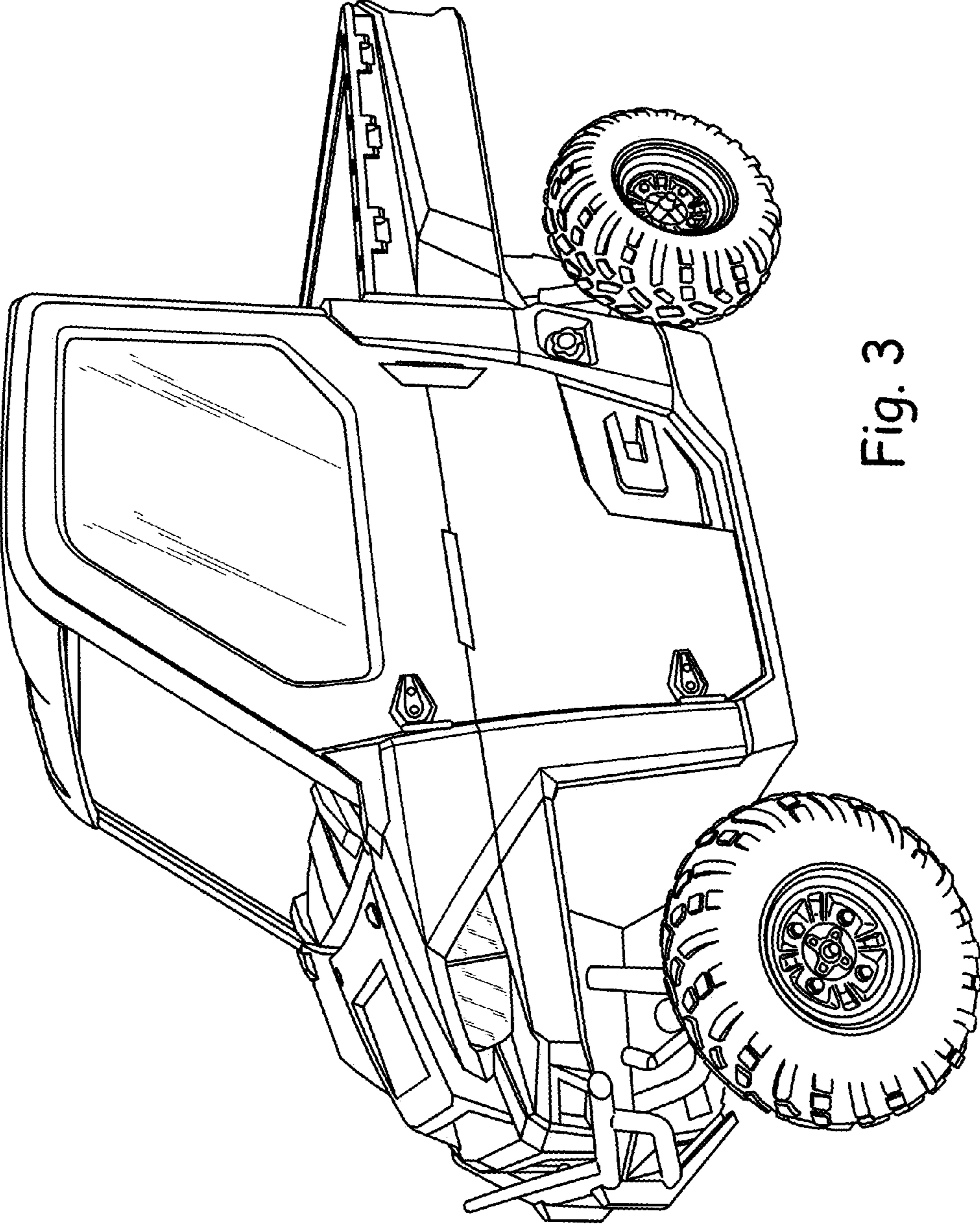


Fig. 3

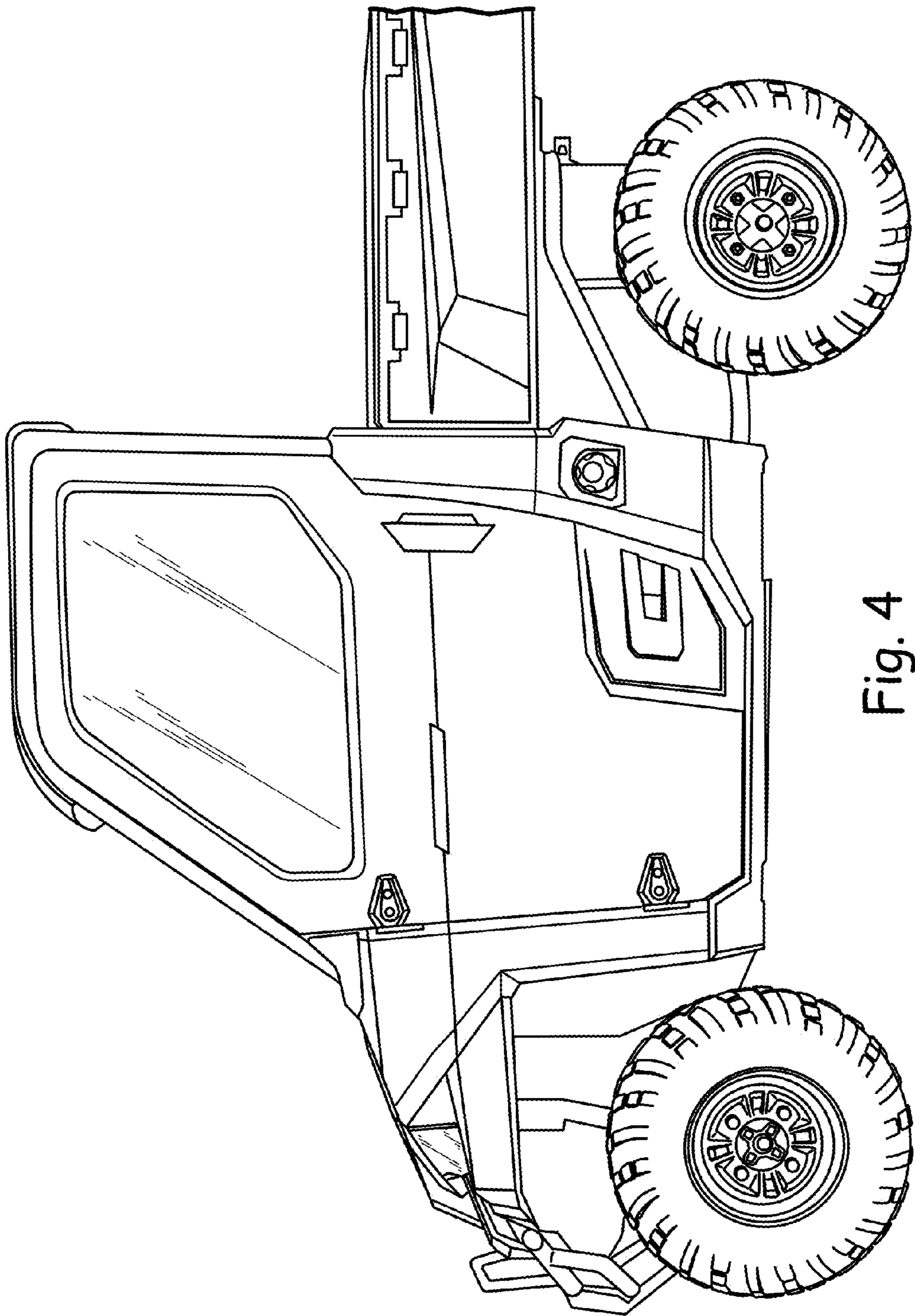


Fig. 4

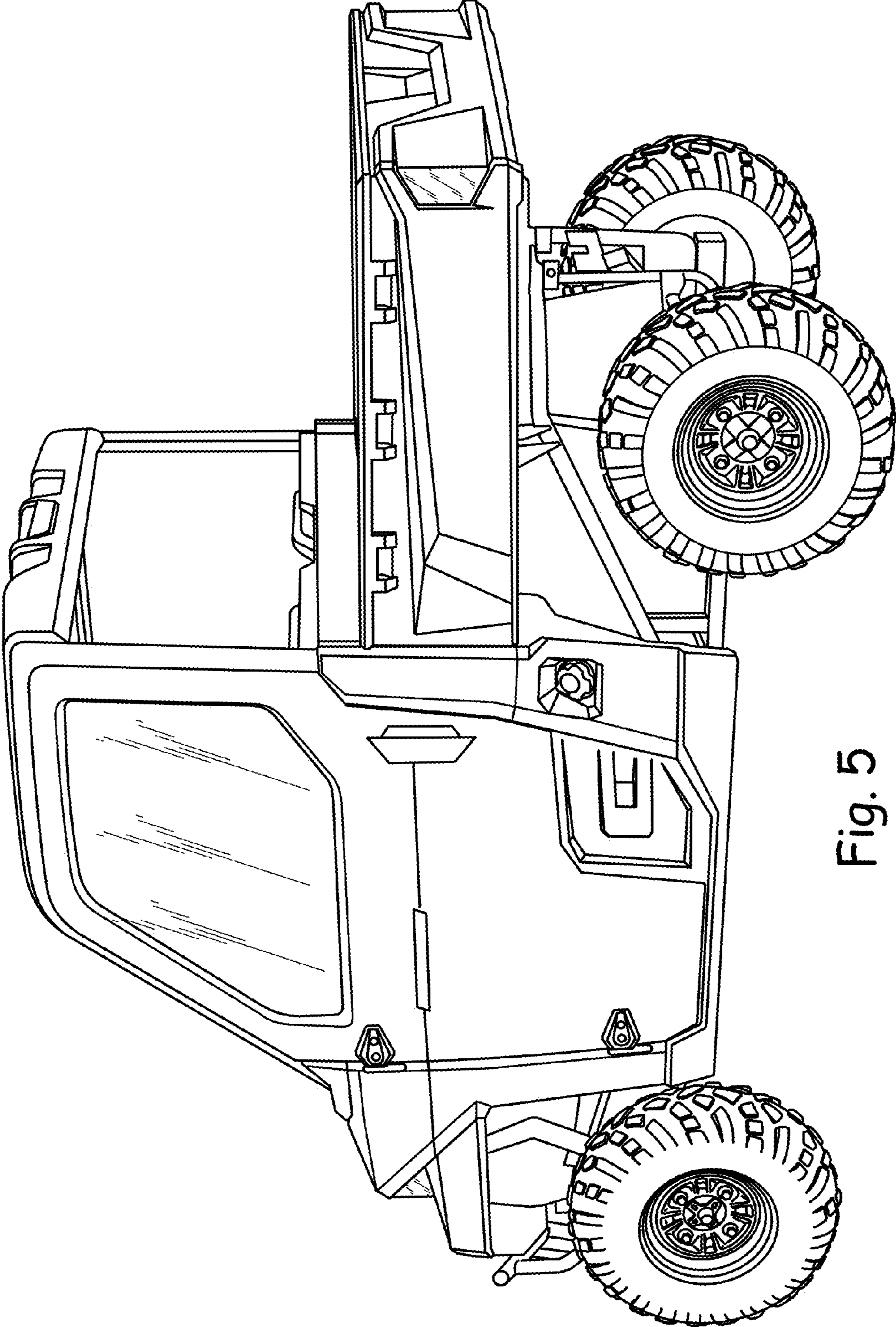


Fig. 5