



US00D767443S

(12) **United States Design Patent** (10) **Patent No.:** **US D767,443 S**
Rivera et al. (45) **Date of Patent:** **** Sep. 27, 2016**

(54) **STEM EXTENSION FOR ARTIFICIAL FLOWERS**

(71) Applicants: **Rosie Rivera**, Big Spring, TX (US);
Robert Rivera, Big Spring, TX (US)

(72) Inventors: **Rosie Rivera**, Big Spring, TX (US);
Robert Rivera, Big Spring, TX (US)

(**) Term: **14 Years**

(21) Appl. No.: **29/517,763**

(22) Filed: **Feb. 16, 2015**

Related U.S. Application Data

(63) Continuation-in-part of application No. 13/551,988,
filed on Jul. 18, 2012, now abandoned.

(51) **LOC (10) Cl.** **11-05**

(52) **U.S. Cl.**
USPC **D11/130**

(58) **Field of Classification Search**
USPC D11/117, 121, 130, 131, 143, 144, 146,
D11/152, 153; D23/259, 262, 266
CPC A47G 25/0664; A47G 33/00; A47G
2033/089; A47G 33/12; A47G 33/124;
A47G 33/1266; A47F 5/04; A47F 5/06;
E04H 12/22; E04H 12/2215; A01G 9/00;
A01G 9/02

See application file for complete search history.

(56) **References Cited**

U.S. PATENT DOCUMENTS

- 2,836,933 A * 6/1958 Klein A01G 5/00
428/23
- D233,532 S * 11/1974 Mitchell D11/146
- D236,643 S * 9/1975 Ross D11/130
- 4,291,075 A * 9/1981 Puleo A47G 33/06
211/196
- D416,514 S * 11/1999 Koo D11/130
- D445,722 S * 7/2001 Davenport D11/152
- 6,263,614 B1 * 7/2001 Koo A01G 5/04
47/41.13
- D446,156 S * 8/2001 Davenport D11/152

- 6,457,276 B1 * 10/2002 Masters A01G 5/04
428/23
- D543,129 S * 5/2007 Buzzelli D11/43
- 7,310,909 B2 * 12/2007 Broel A47G 7/02
248/27.8
- D608,685 S * 1/2010 Krize D11/130
- D609,602 S * 2/2010 Krize D11/130
- D686,523 S * 7/2013 Chen D11/130
- D687,343 S * 8/2013 Edwards D11/130
- D696,153 S * 12/2013 Chen D11/130
- 2008/0149153 A1 * 6/2008 Chang A45B 19/04
135/25.1
- 2012/0009360 A1 * 1/2012 Fu A41G 1/007
428/8

* cited by examiner

Primary Examiner — Elizabeth J Oswecki

(74) *Attorney, Agent, or Firm* — Shannon L Warren

(57) **CLAIM**

The ornamental design for a stem extension for artificial flowers, as shown and described.

DESCRIPTION

FIG. 1 is a perspective view of a stem extension for artificial flowers showing our new design;

FIG. 2 is a cross sectional view taken along line 2-2 in FIG. 1;

FIG. 3 is a cross sectional view taken along line 3-3 in FIG. 1;

FIG. 4 is FIG. 3 shown in a used condition with a stem extension for artificial flowers shown in broken lines;

FIG. 5 is an enlarged portion view of an encircled portion labeled FIG. 5 in FIG. 4;

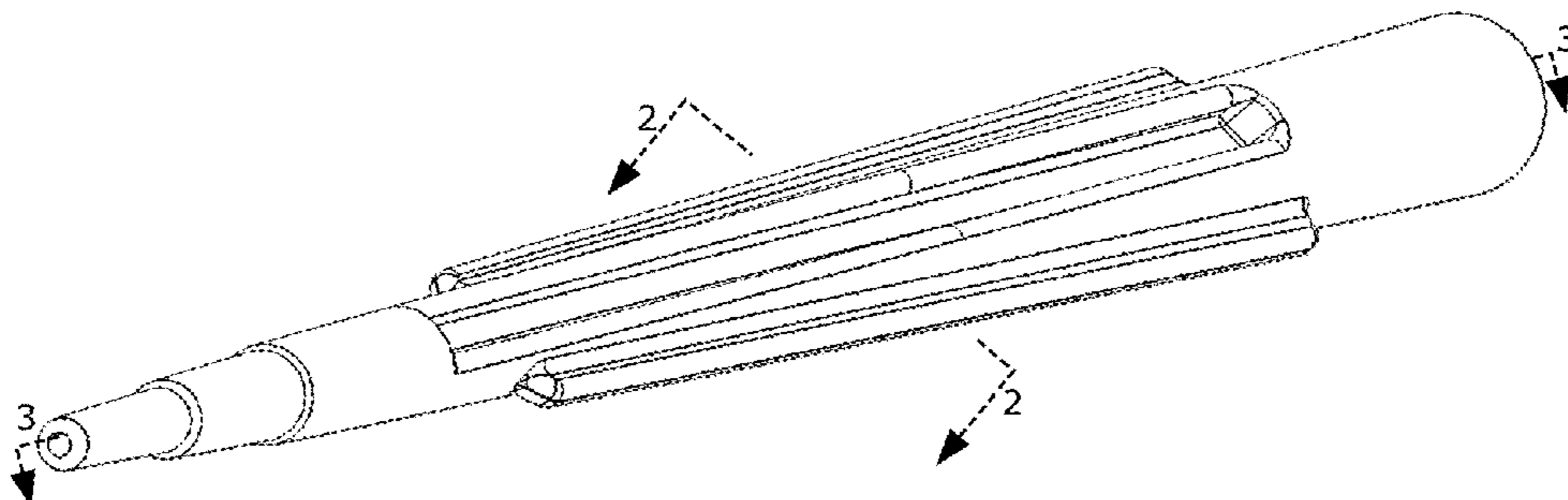
FIG. 6 is another perspective view thereof; and,

FIG. 7 is a cross sectional view taken along line 7-7 in FIG. 6.

The broken lines shown in the drawings form no part of the claimed design.

All surfaces not shown form no part of the claimed design. The present invention is a stem extender that can be used with artificial flowers to quickly extend the length of the stem of the artificial flowers.

1 Claim, 7 Drawing Sheets



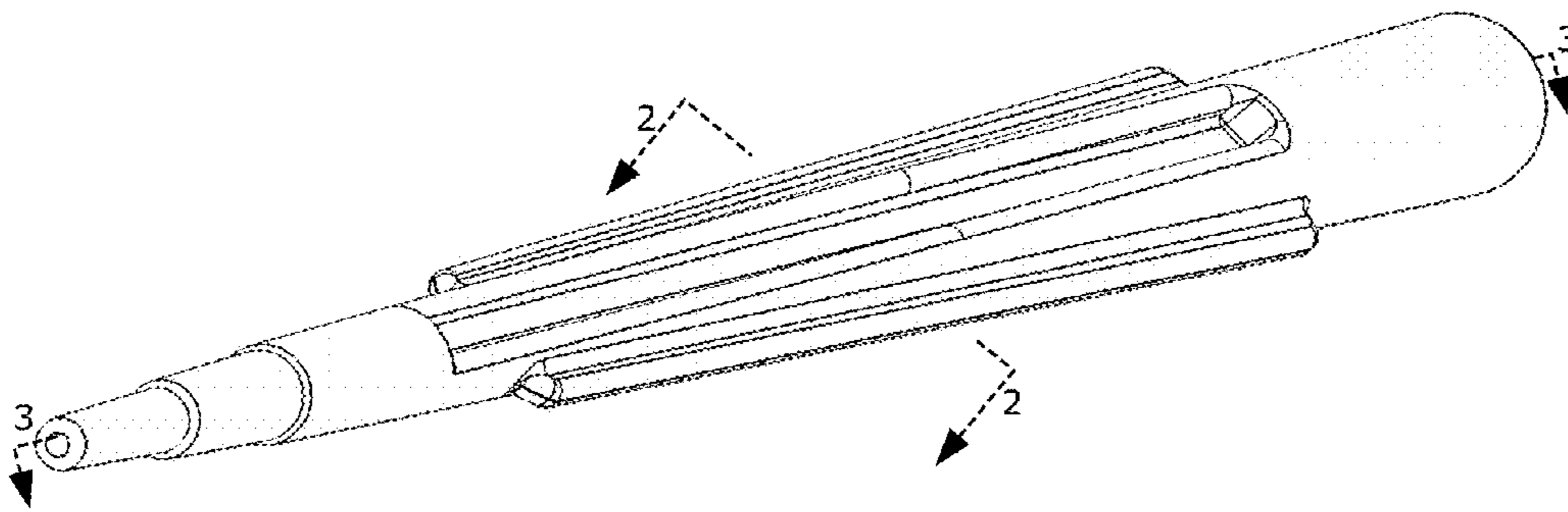


FIG. 1

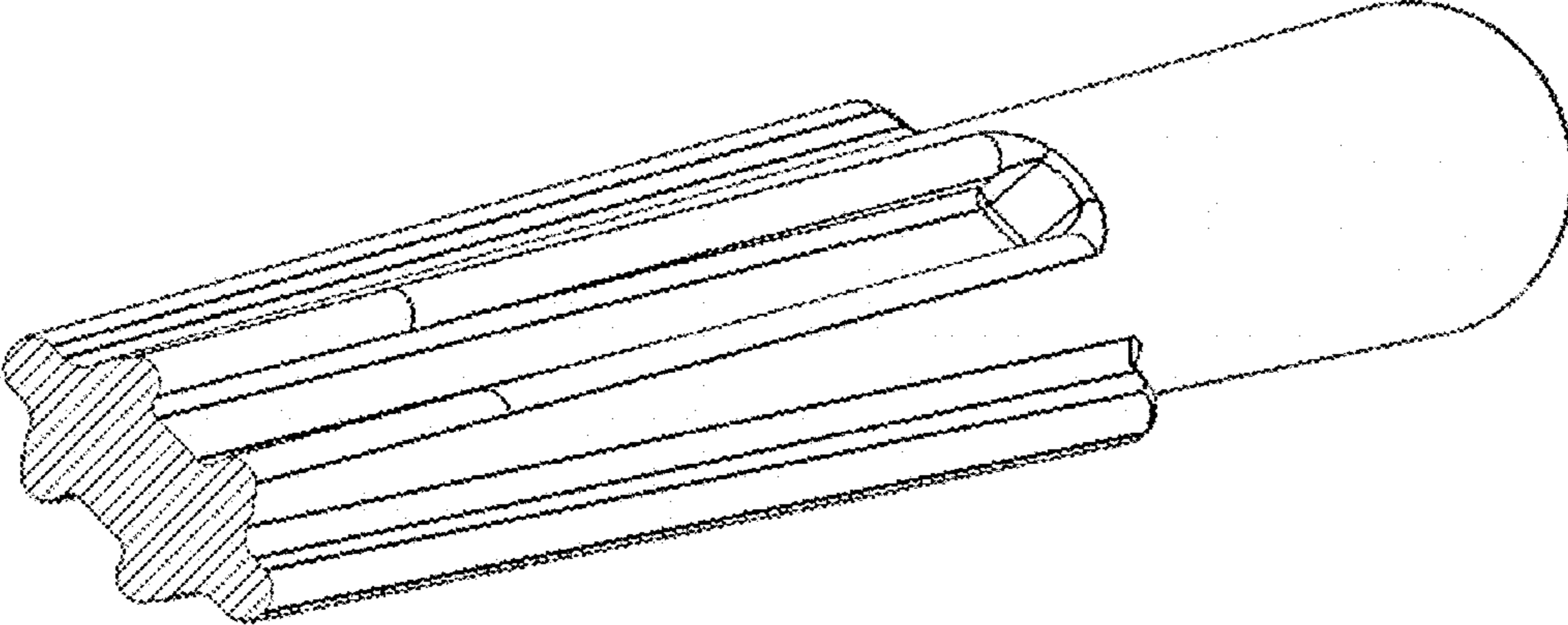


FIG. 2

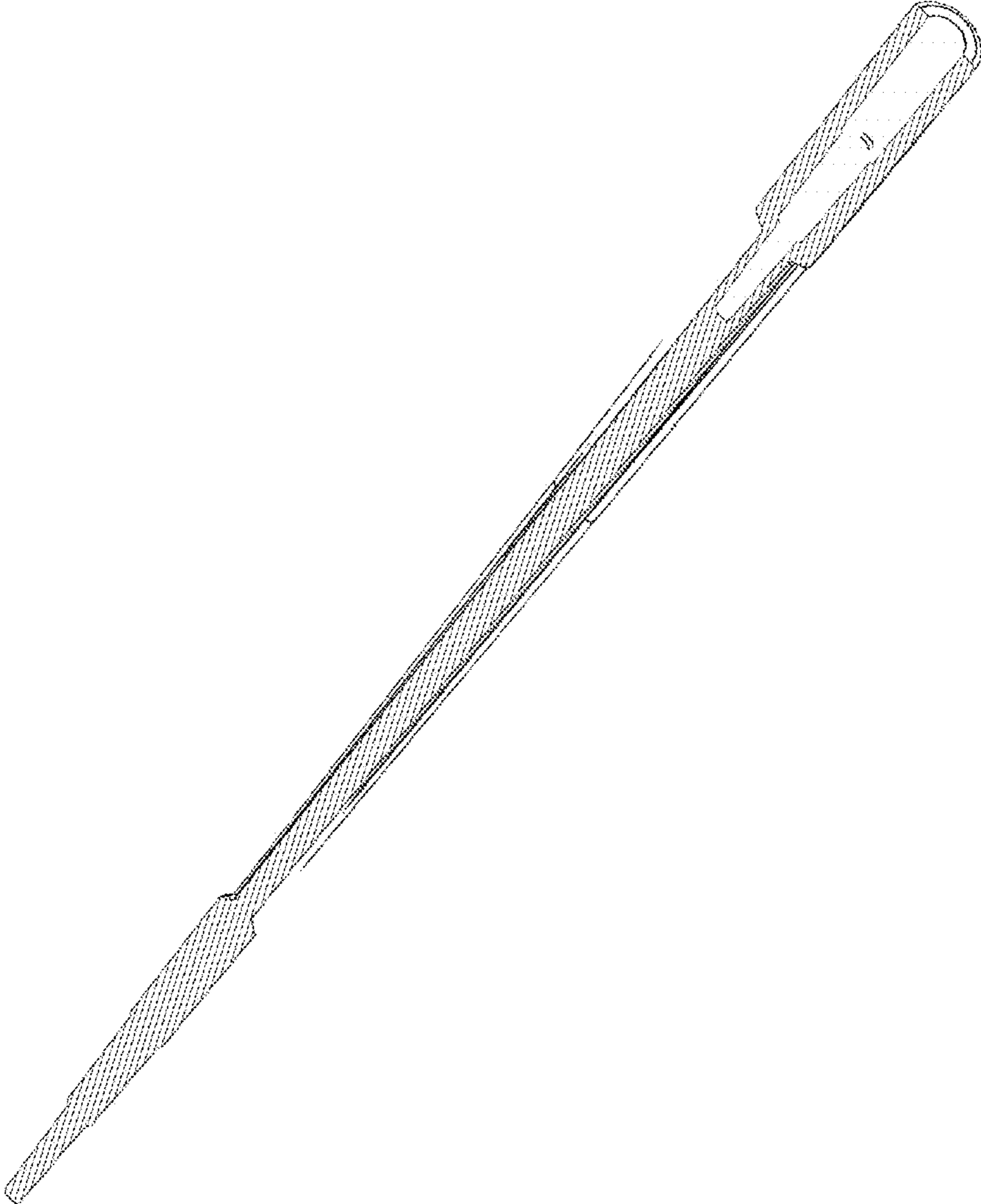


FIG. 3

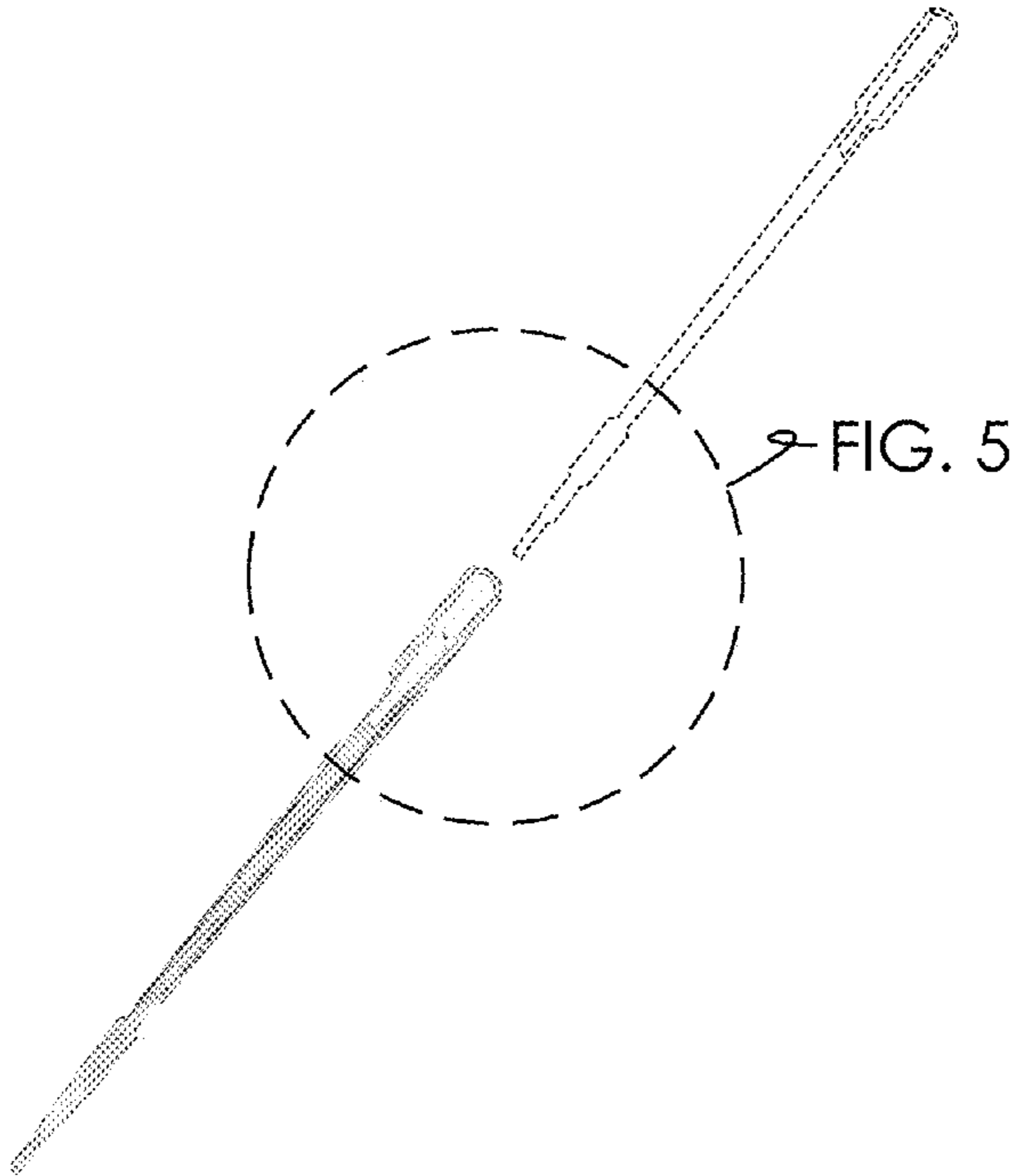


FIG. 4

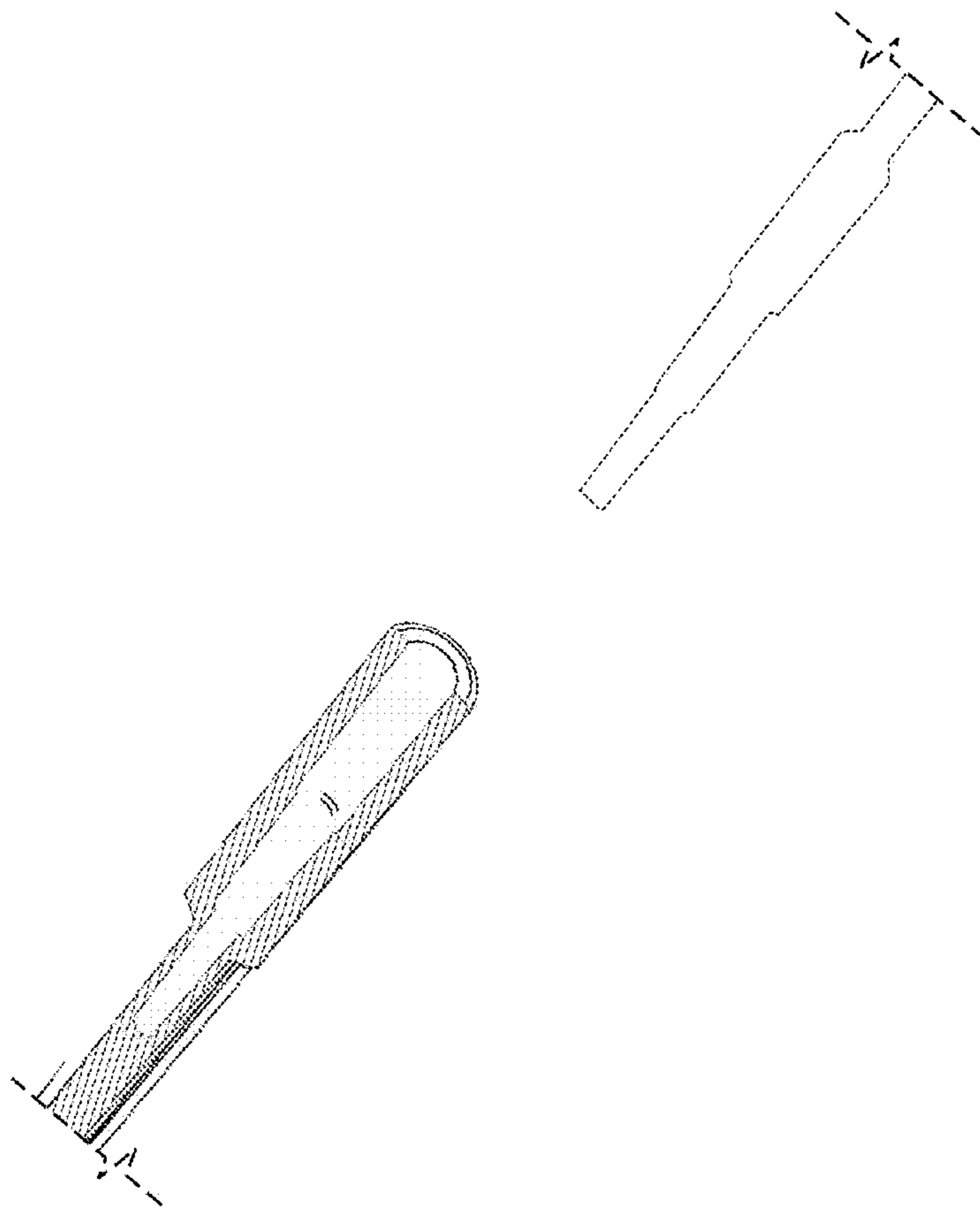


FIG. 5

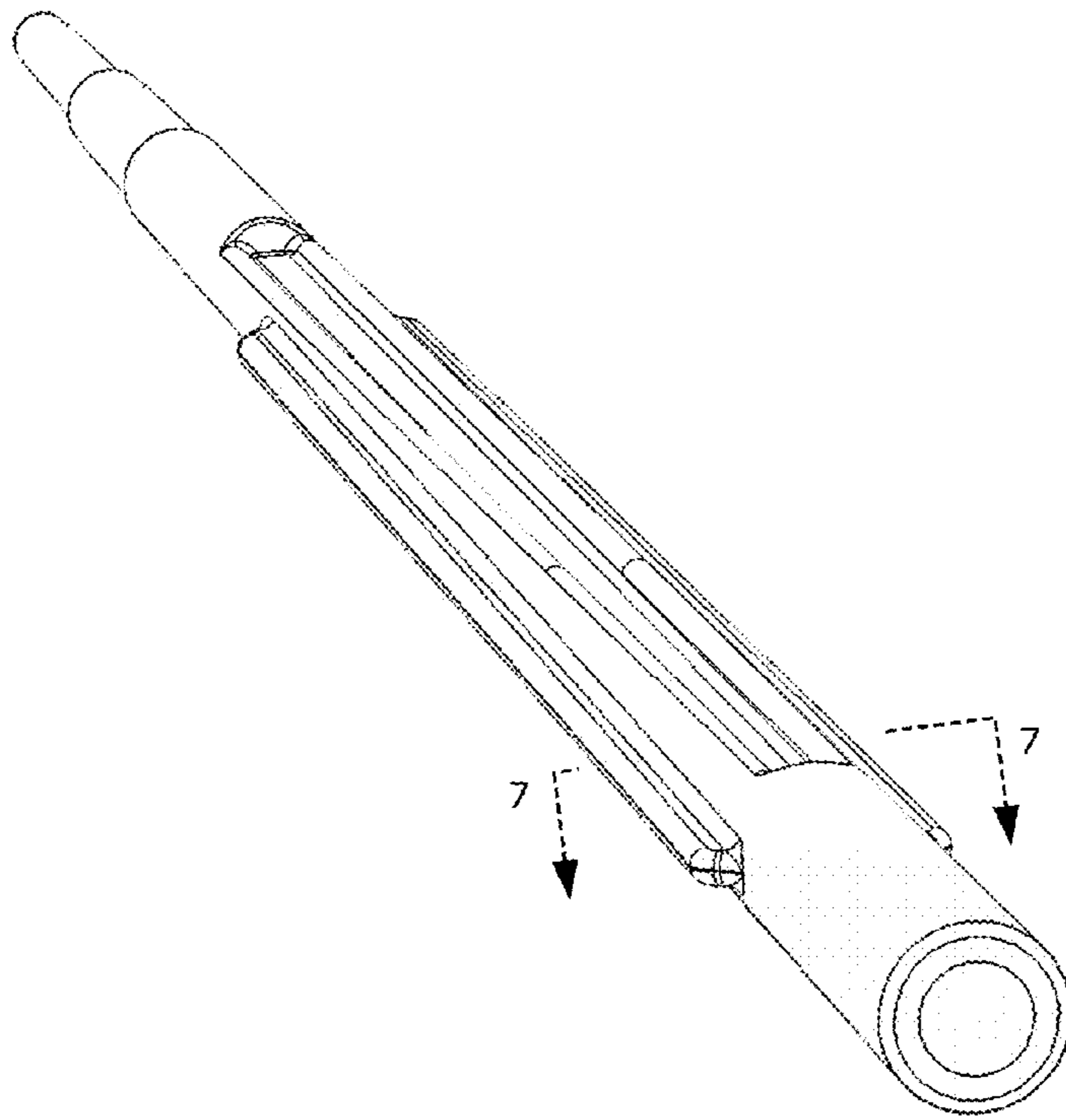


FIG. 6

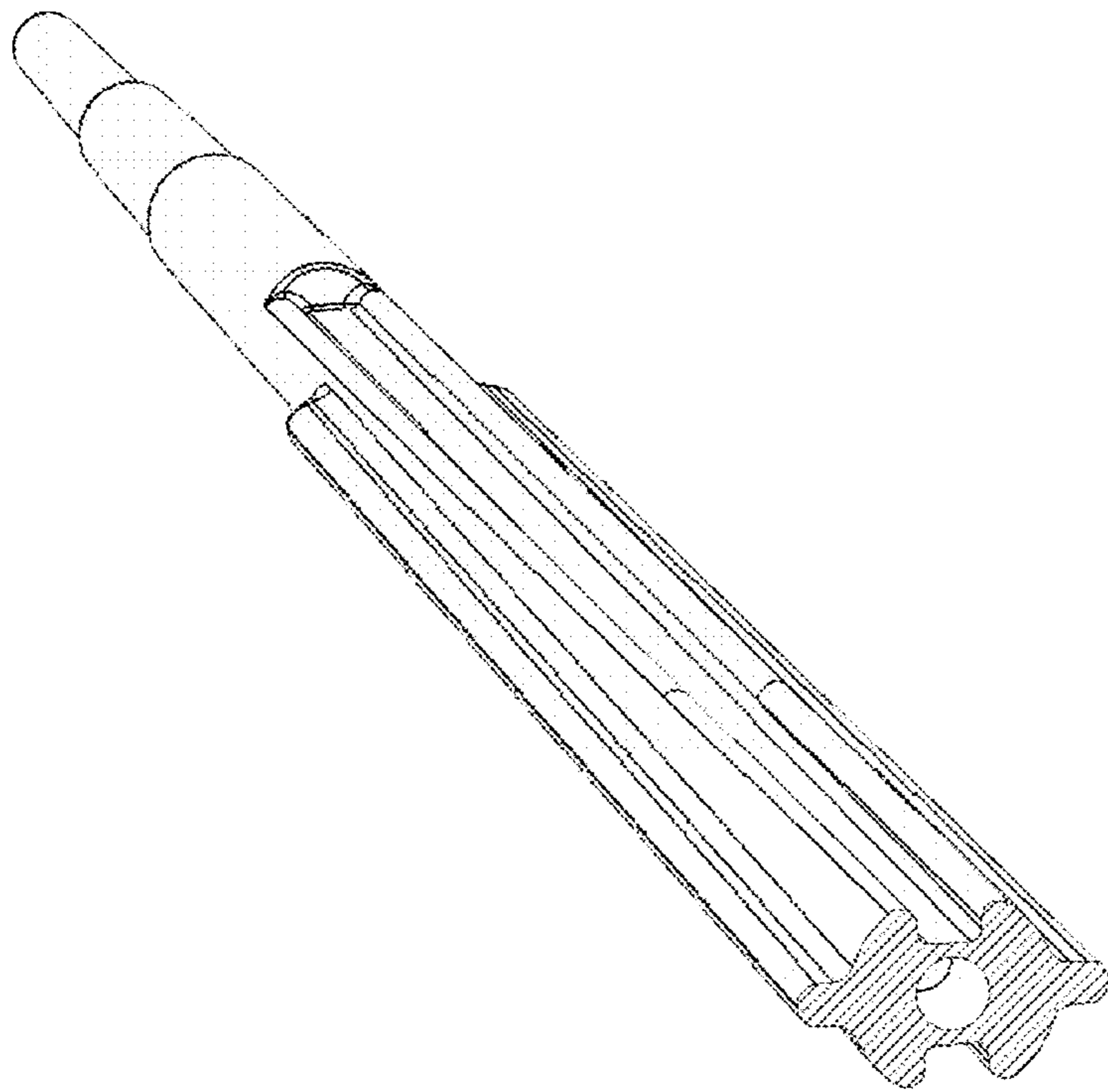


FIG. 7