



US00D767442S

(12) **United States Design Patent**
Berdan et al.

(10) **Patent No.:** **US D767,442 S**

(45) **Date of Patent:** **** Sep. 27, 2016**

(54) **GEMSTONE**

(71) Applicants: **Gregory Berdan**, Greenacres, WA
(US); **Mark Webb**, Spokane, WA (US)

(72) Inventors: **Gregory Berdan**, Greenacres, WA
(US); **Mark Webb**, Spokane, WA (US)

(**) Term: **15 Years**

(21) Appl. No.: **29/528,421**

(22) Filed: **May 28, 2015**

(51) **LOC (10) Cl.** **11-01**

(52) **U.S. Cl.**
USPC **D11/90**

(58) **Field of Classification Search**
USPC D11/1-2, 26-29, 89-92; 63/26-28, 32
CPC A44C 17/00
See application file for complete search history.

(56) **References Cited**

U.S. PATENT DOCUMENTS

D466,042 S * 11/2002 Cohen D11/90
D504,636 S * 5/2005 Voorn D11/90
D512,934 S * 12/2005 Voorn D11/90

D525,559 S * 7/2006 Aoyagi D11/90
D546,228 S * 7/2007 Cohen D11/90
D581,829 S * 12/2008 Hodara D11/90
D593,440 S * 6/2009 Har D11/90

* cited by examiner

Primary Examiner — Ralf Seifert

(57) **CLAIM**

The ornamental design for the gemstone, as shown and described.

DESCRIPTION

A portion of the disclosure of this patent document contains material which is subject to copyright protection. The copyright owner has no objection to the facsimile reproduction by anyone of the patent document or the patent disclosure, as it appears in the Patent and Trademark Office patent file or records, but otherwise reserves all copyright rights whatsoever.

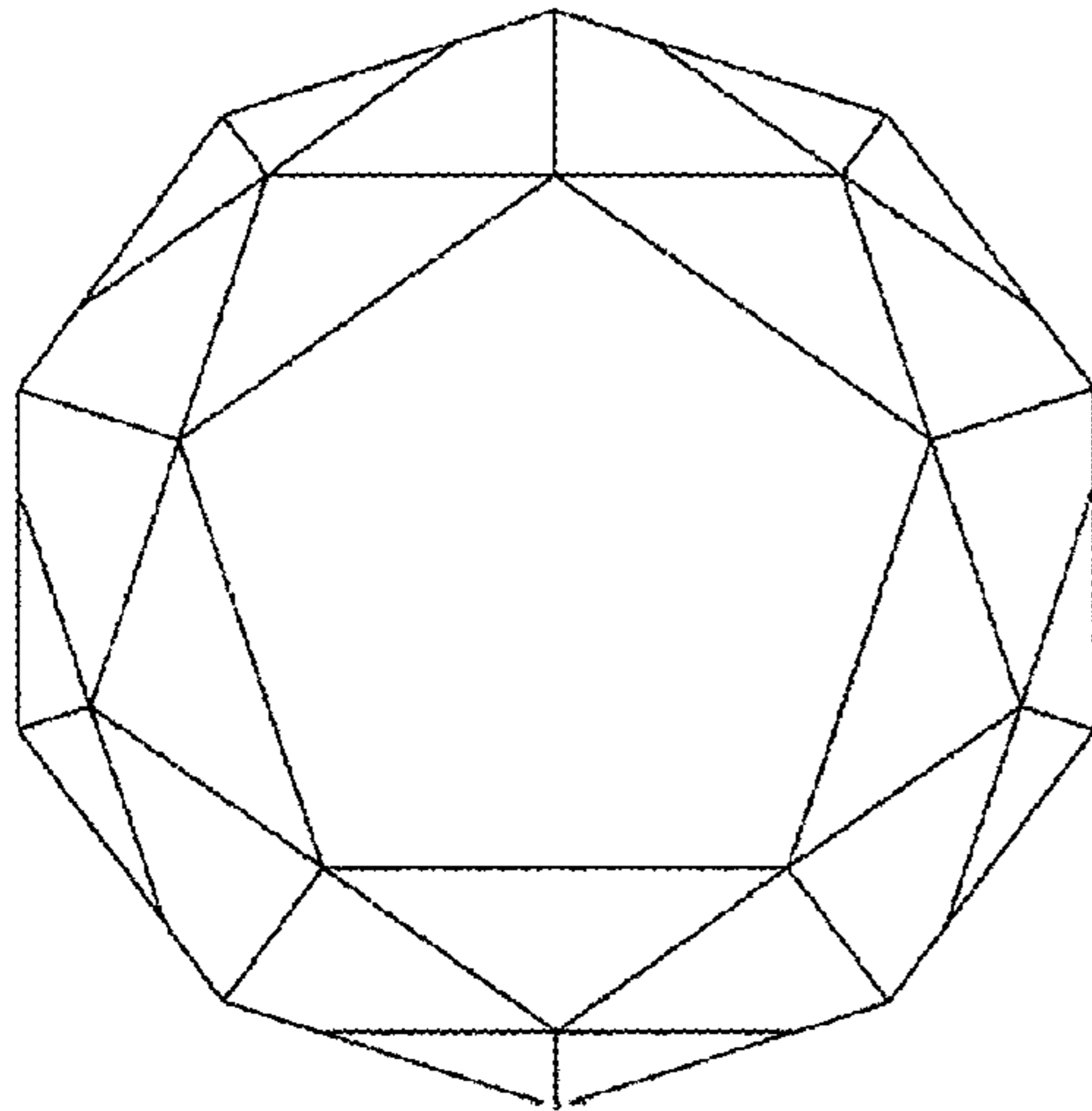
FIG. 1 is a top view, showing the crown;

FIG. 2 is a front view;

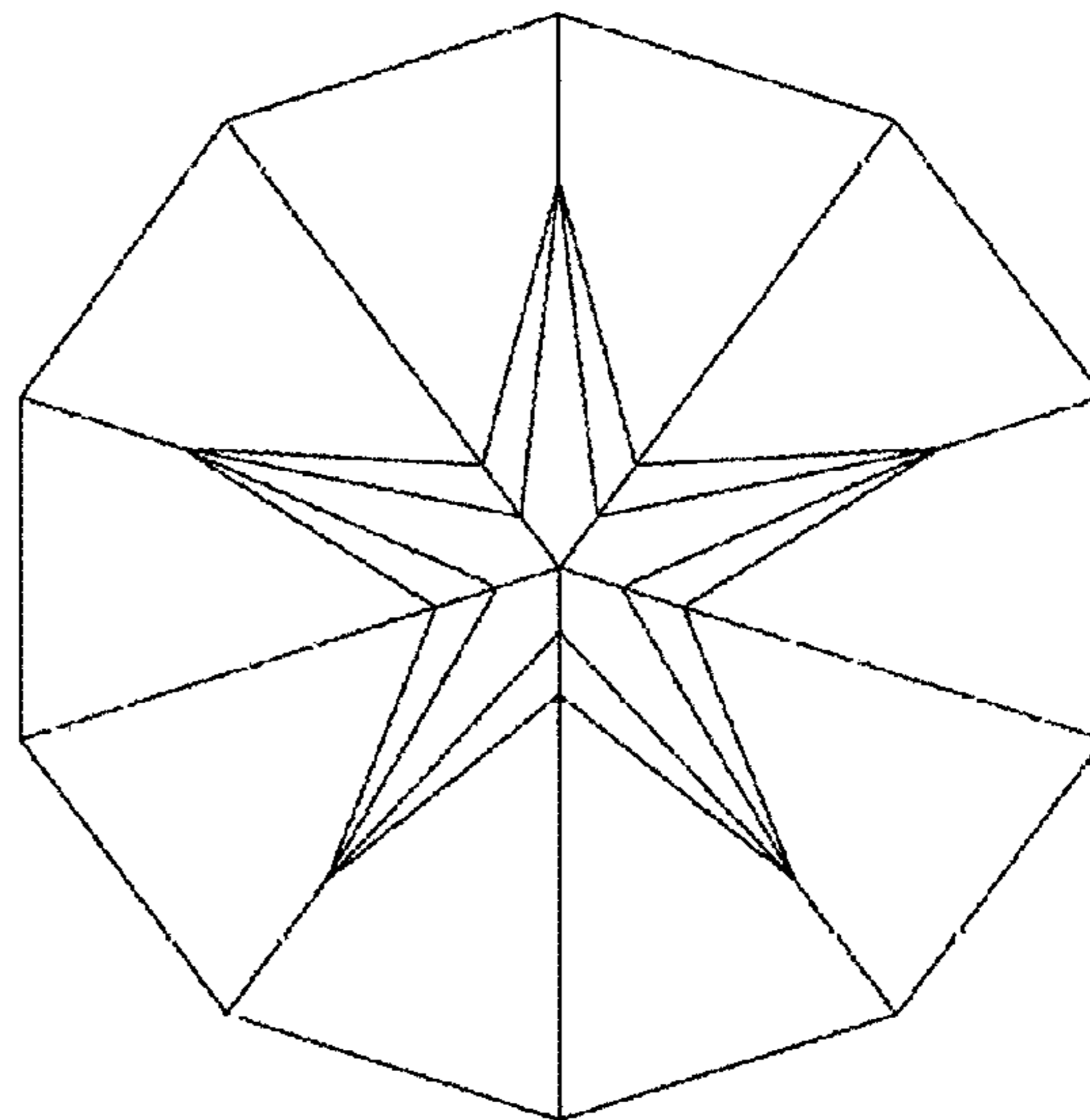
FIG. 3 is side view; and,

FIG. 4 is a bottom view, showing the pavilion.

1 Claim, 4 Drawing Sheets

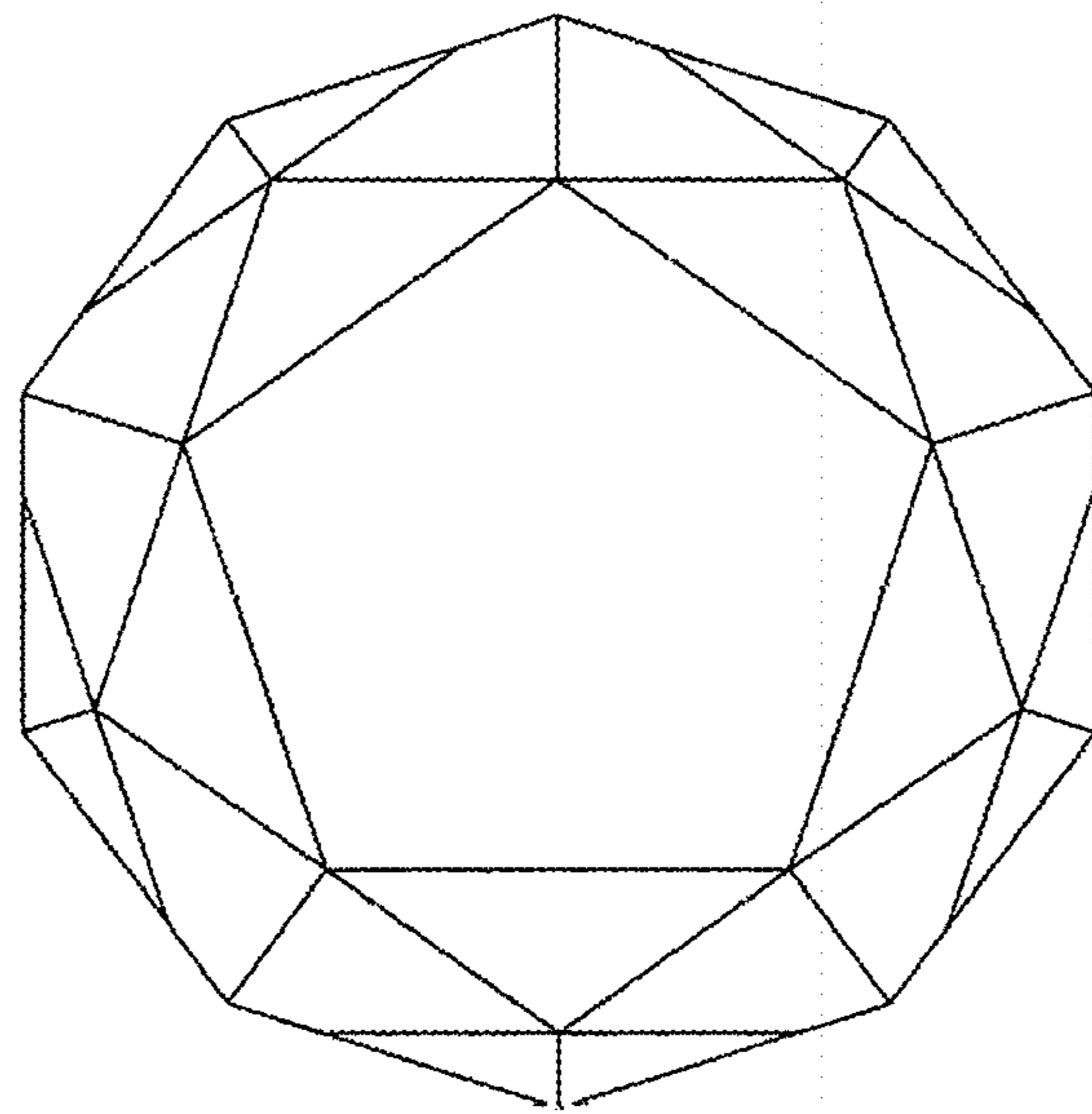


© 2015 Greg Berdan



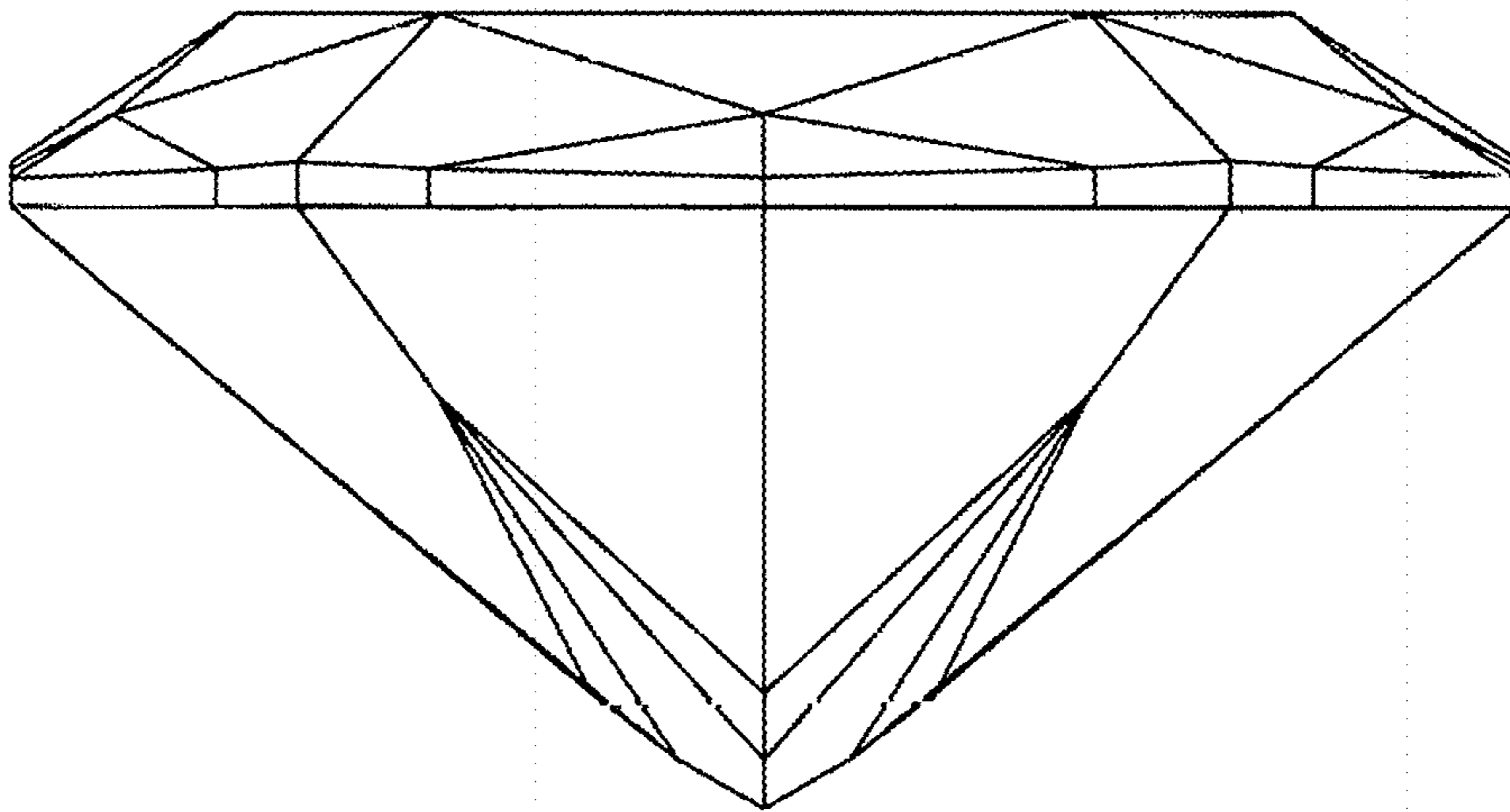
© 2015 Greg Berdan

FIGURE 1



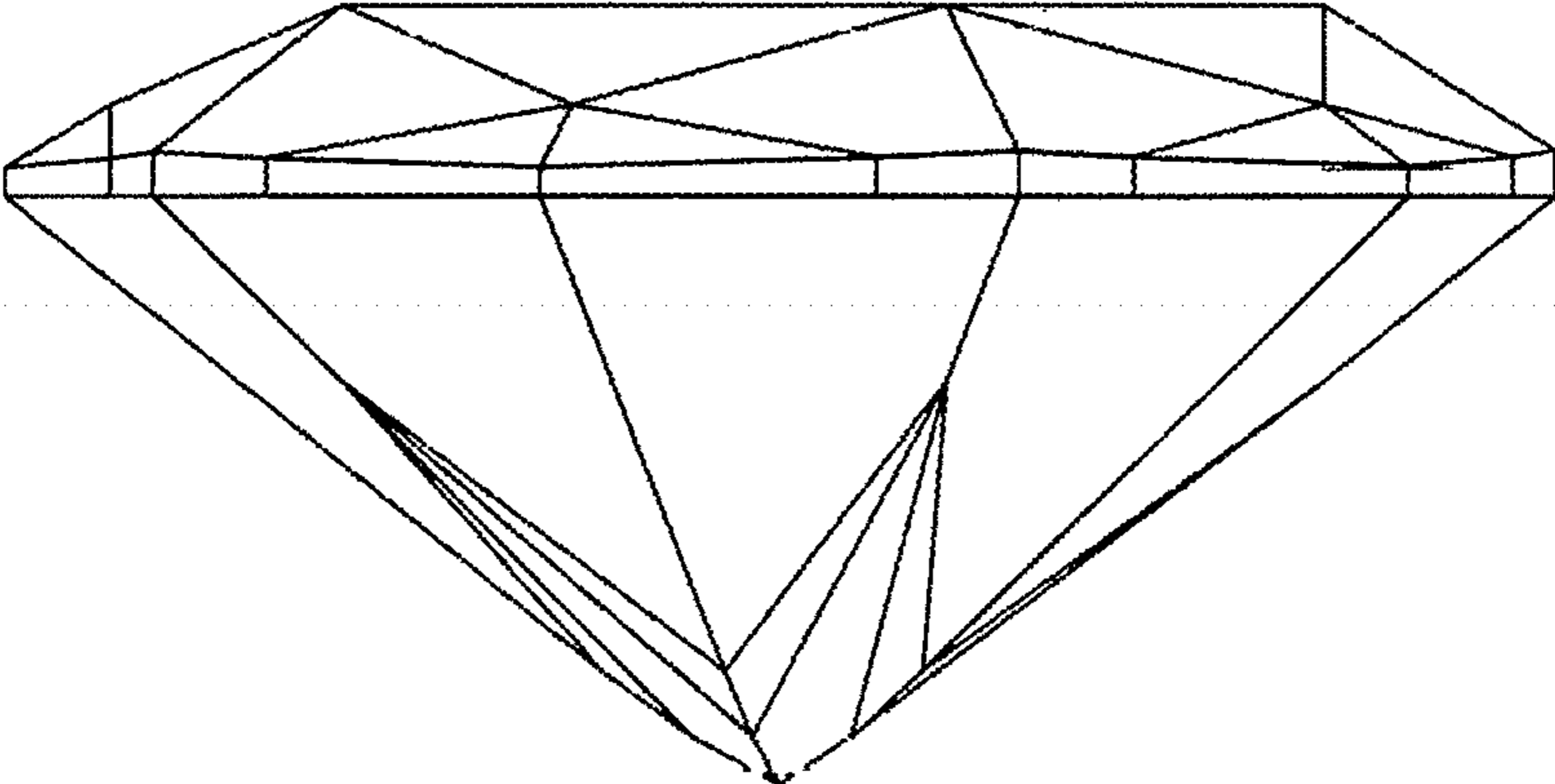
© 2015 Greg Berdan

FIGURE 2



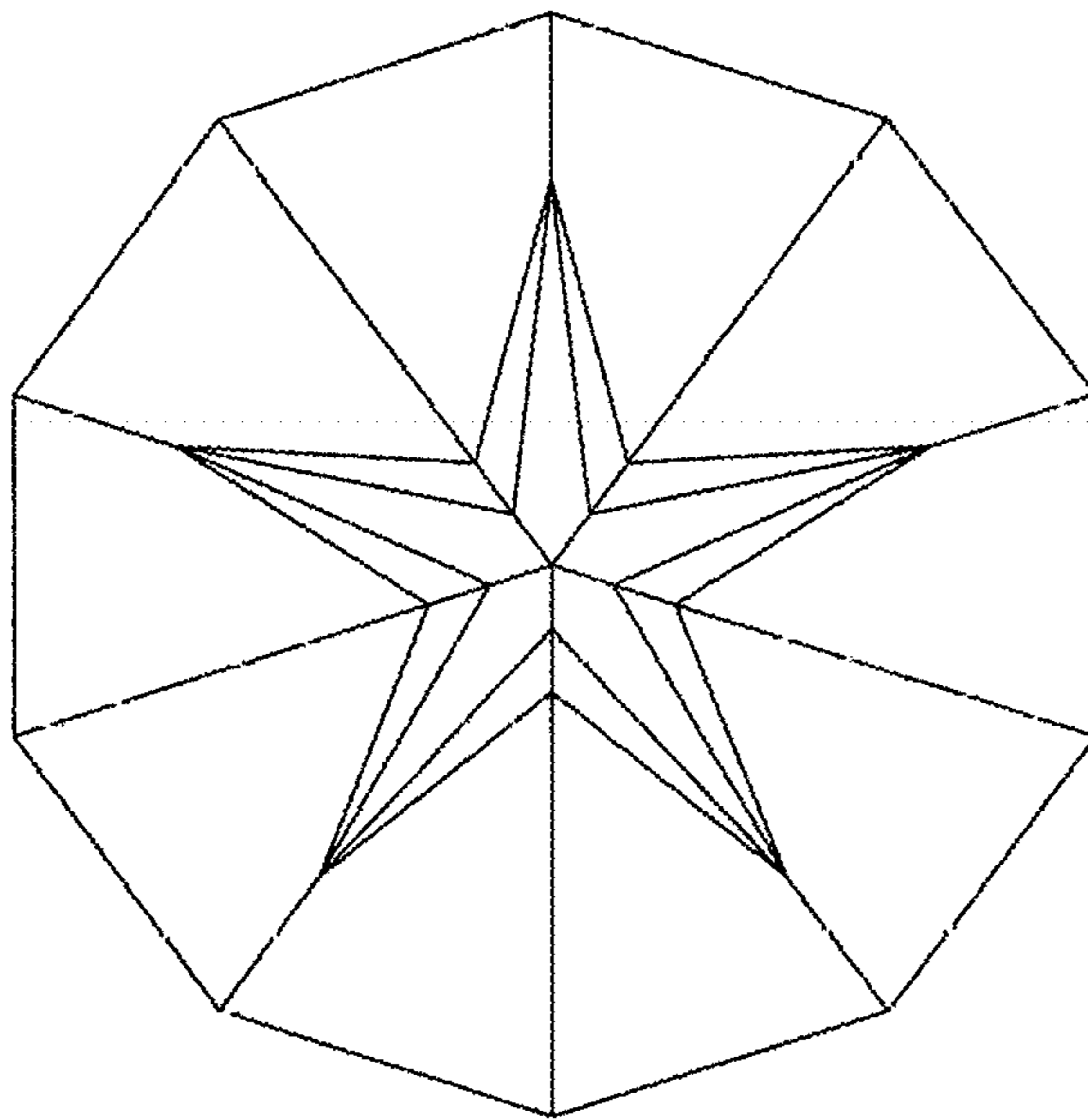
© 2015 Greg Berdan

FIGURE 3



© 2015 Greg Berdan

FIGURE 4



© 2015 Greg Berdan