



US00D767434S

(12) **United States Design Patent**
Matheny

(10) **Patent No.:** **US D767,434 S**

(45) **Date of Patent:** **** Sep. 27, 2016**

(54) **JEWELRY ARTICLE**

(71) Applicant: **Keith E. Matheny**, Plano, TX (US)

(72) Inventor: **Keith E. Matheny**, Plano, TX (US)

(**) Term: **14 Years**

(21) Appl. No.: **29/487,971**

(22) Filed: **Apr. 14, 2014**

(51) **LOC (10) Cl.** **11-01**

(52) **U.S. Cl.**
USPC **D11/1**

(58) **Field of Classification Search**

USPC D11/1, 2, 40, 41, 42, 43, 47, 76, 78.1,
D11/79, 86, 87, 200, 220, 222; 63/1.11,
63/1.12, 1.13, 1.14, 1.15, 3, 3.1, 3.2, 4,
63/5.1, 5.2, 6, 7, 8, 9, 10, 11, 15, 15.1,
63/15.2, 15.3, 15.4, 15.45, 15.5, 15.6,
63/15.65, 15.7, 15.8, 15.9; D5/1, 2,
D5/59-63, 99; D2/946, 947, 951, 953;
D25/65, 63, 68.69
CPC A44C 1/00; A44C 3/00; A44C 3/001;
A44C 3/002; A44C 3/004; A44C 3/005;
A44C 3/006; A44C 3/007; A44C 3/008;
A44C 5/02; A44C 7/002; A44C 21/00;
A44C 25/001; A44C 25/007; A44C 25/008;
A33C 15/0005; Y10T 24/18; Y10T 24/19;
Y10T 24/22; Y10T 24/32

See application file for complete search history.

(56) **References Cited**

U.S. PATENT DOCUMENTS

D181,432 S * 11/1957 Murray D5/59
D311,997 S * 11/1990 Legare D5/61
D336,979 S * 7/1993 Peterson D2/954
D353,469 S * 12/1994 Skaggs D25/62
D413,989 S * 9/1999 Dupont D25/62
D422,151 S * 4/2000 Hwang D5/59
D441,093 S * 4/2001 Johnson D25/62
6,385,866 B1 * 5/2002 Sotter A43C 15/167
D2/951
D466,702 S * 12/2002 Carlson D5/59

D541,018 S * 4/2007 McClaskie D2/953
D717,969 S * 11/2014 Green D25/68
D725,915 S * 4/2015 Haverfield D5/59

OTHER PUBLICATIONS

Keeper 05680 Safety Step Pads, Amazon.com, earliest review on Oct. 12, 2011, online. Acquired on Jan. 30, 2016. Internet URL:<"http://www.amazon.com/Keeper-05680-Safety-Step-2-pack/dp/B00004Y622/ref=cm_cr_pr_product_top?ie=UTF8">.*

* cited by examiner

Primary Examiner — Cynthia Ramirez
Assistant Examiner — Llorellys Martinez-Rivera
(74) *Attorney, Agent, or Firm* — Conley Rose, P.C.; Rodney B. Carroll

(57) **CLAIM**

The ornamental design for a jewelry article, as shown and described.

DESCRIPTION

FIG. 1 is a top perspective view of a first embodiment of a jewelry article showing my new design;
FIG. 2 is another top perspective view thereof;
FIG. 3 is a side view thereof;
FIG. 4 is another side view thereof;
FIG. 5 is a top plan view thereof;
FIG. 6 is a bottom plan view thereof;
FIG. 7 is a top perspective view of a second embodiment of a jewelry article showing my new design;
FIG. 8 is another top perspective view thereof;
FIG. 9 is a side view thereof;
FIG. 10 is another side view thereof;
FIG. 11 is a top plan view thereof;
FIG. 12 is a bottom plan view thereof;
FIG. 13 is a top perspective view of a third embodiment of a jewelry article showing my new design;
FIG. 14 is a top perspective view thereof;
FIG. 15 is a side view thereof;
FIG. 16 is another side view thereof;
FIG. 17 is another side view thereof;
FIG. 18 is a top plan view thereof;

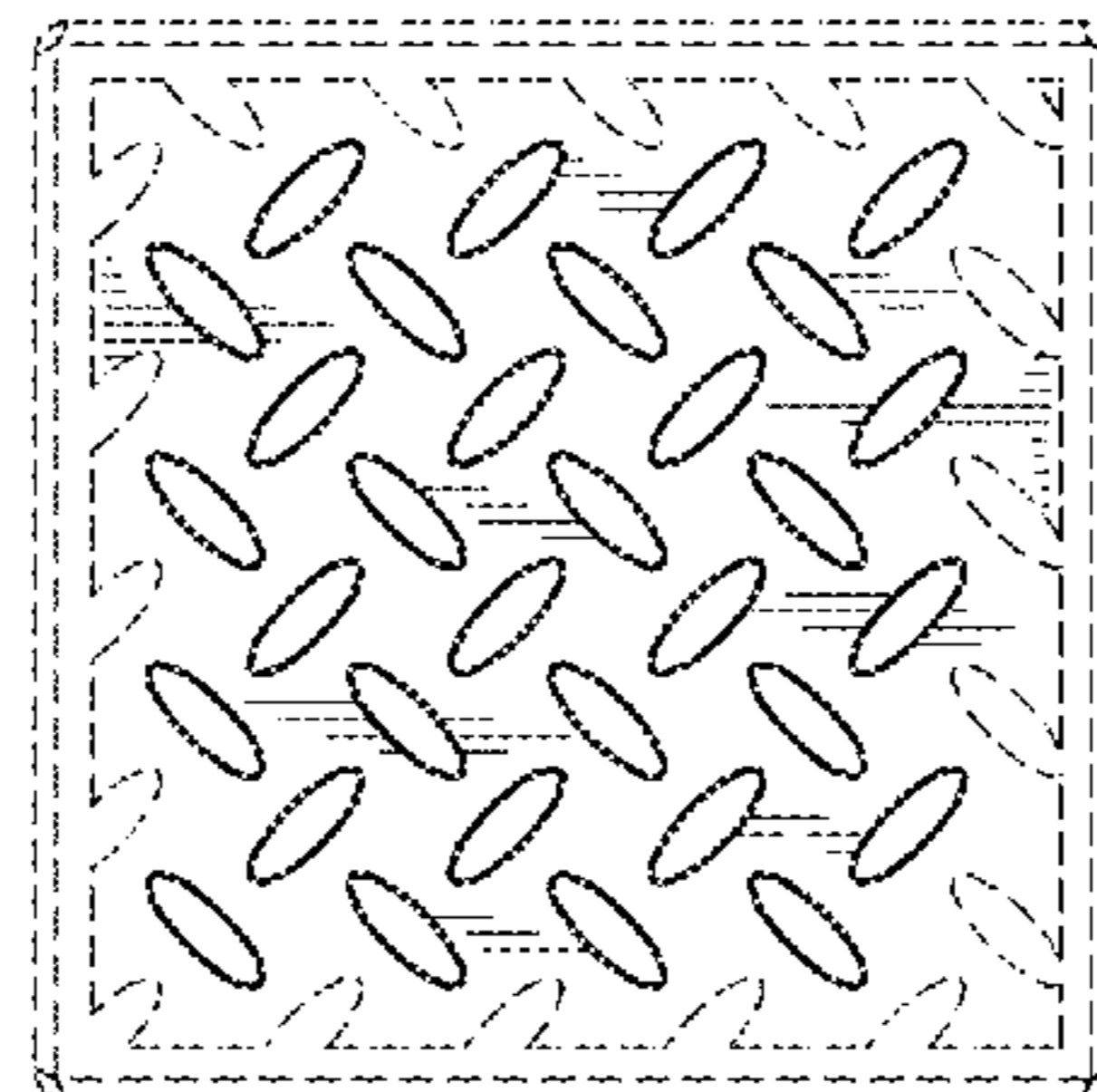
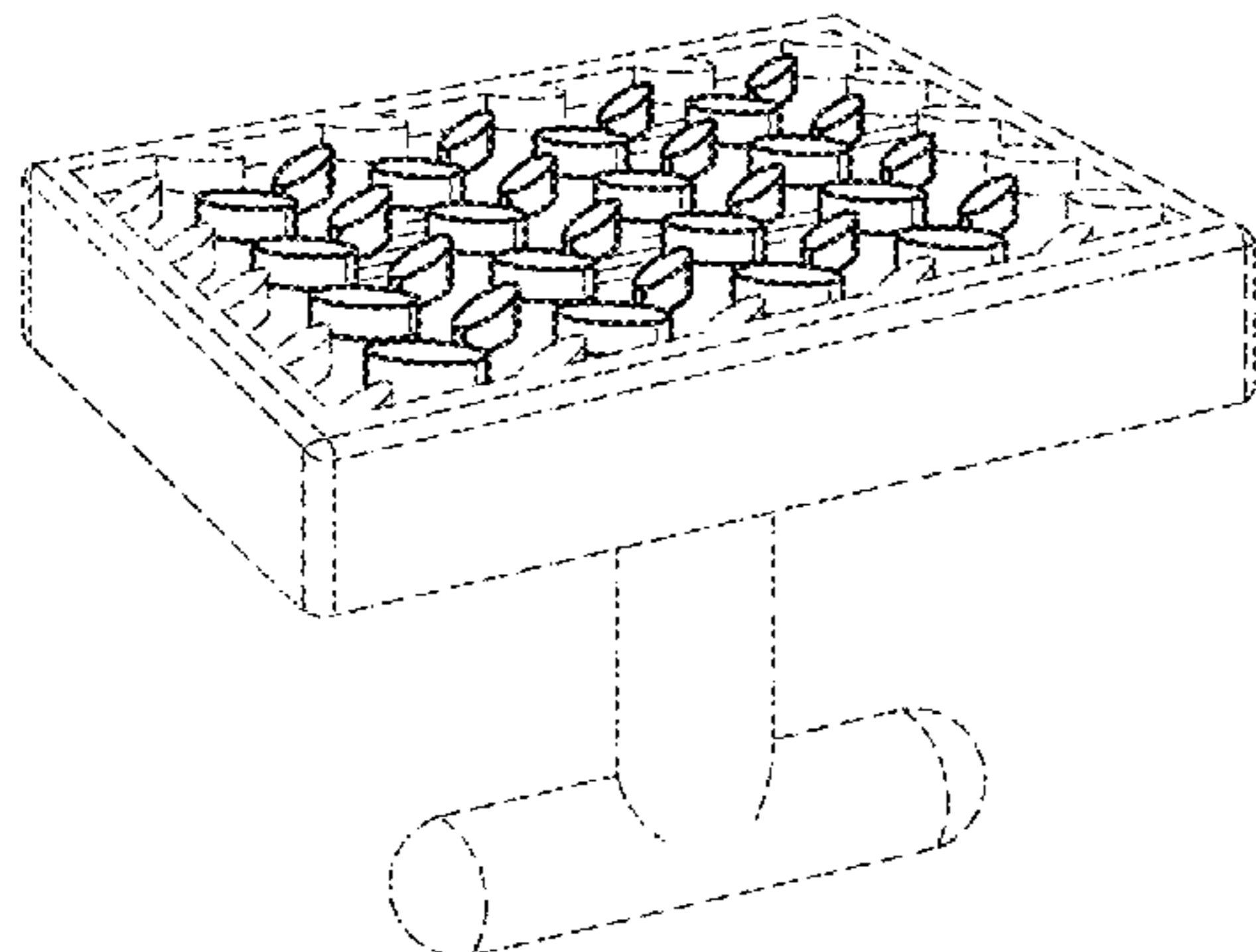


FIG. 19 is a bottom plan view thereof;
FIG. 20 is a top perspective view of a fourth embodiment of a jewelry article showing my new design;
FIG. 21 is another top perspective view thereof;
FIG. 22 is a side view thereof;
FIG. 23 is another side view thereof;
FIG. 24 is another side view thereof;
FIG. 25 is a top plan view thereof;
FIG. 26 is a bottom plan view thereof;
FIG. 27 is a top perspective view of a fifth embodiment of a jewelry article showing my new design;
FIG. 28 is a second top perspective view thereof;
FIG. 29 is a side view thereof;
FIG. 30 is another side view thereof;
FIG. 31 is a top plan view thereof;
FIG. 32 is a bottom plan view thereof;
FIG. 33 is a top perspective view of a sixth embodiment of a jewelry article showing my new design;

FIG. 34 is another top perspective view thereof;
FIG. 35 is a side view thereof;
FIG. 36 is another side view thereof;
FIG. 37 is a top plan view thereof;
FIG. 38 is a bottom plan view thereof;
FIG. 39 is a top perspective view of a seventh embodiment of a jewelry article showing my new design;
FIG. 40 is another top perspective view thereof;
FIG. 41 is a side view thereof;
FIG. 42 is another side view thereof;
FIG. 43 is a top plan view thereof; and,
FIG. 44 is a bottom plan view thereof.
The dash-dot lines shown in FIGS. 1-2, 7-8, 13-14, 20-21, 27-28, 33-34, and 39-40 indicate boundaries between the claimed design and unclaimed subject matter. The dashed lines shown in FIGS. 1 through 44 illustrate environmental subject matter only and form no part of the claimed design.

1 Claim, 17 Drawing Sheets

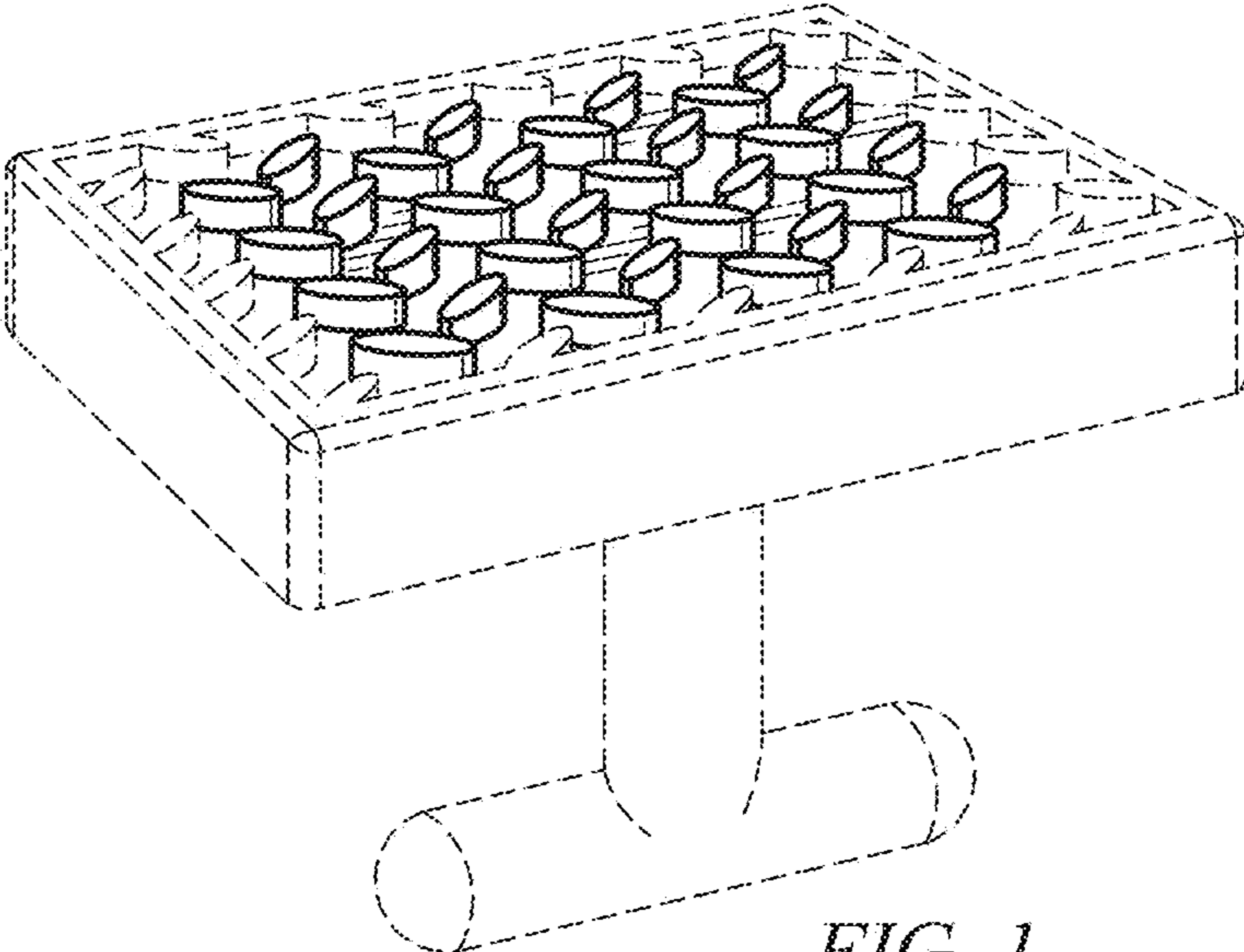


FIG. 1

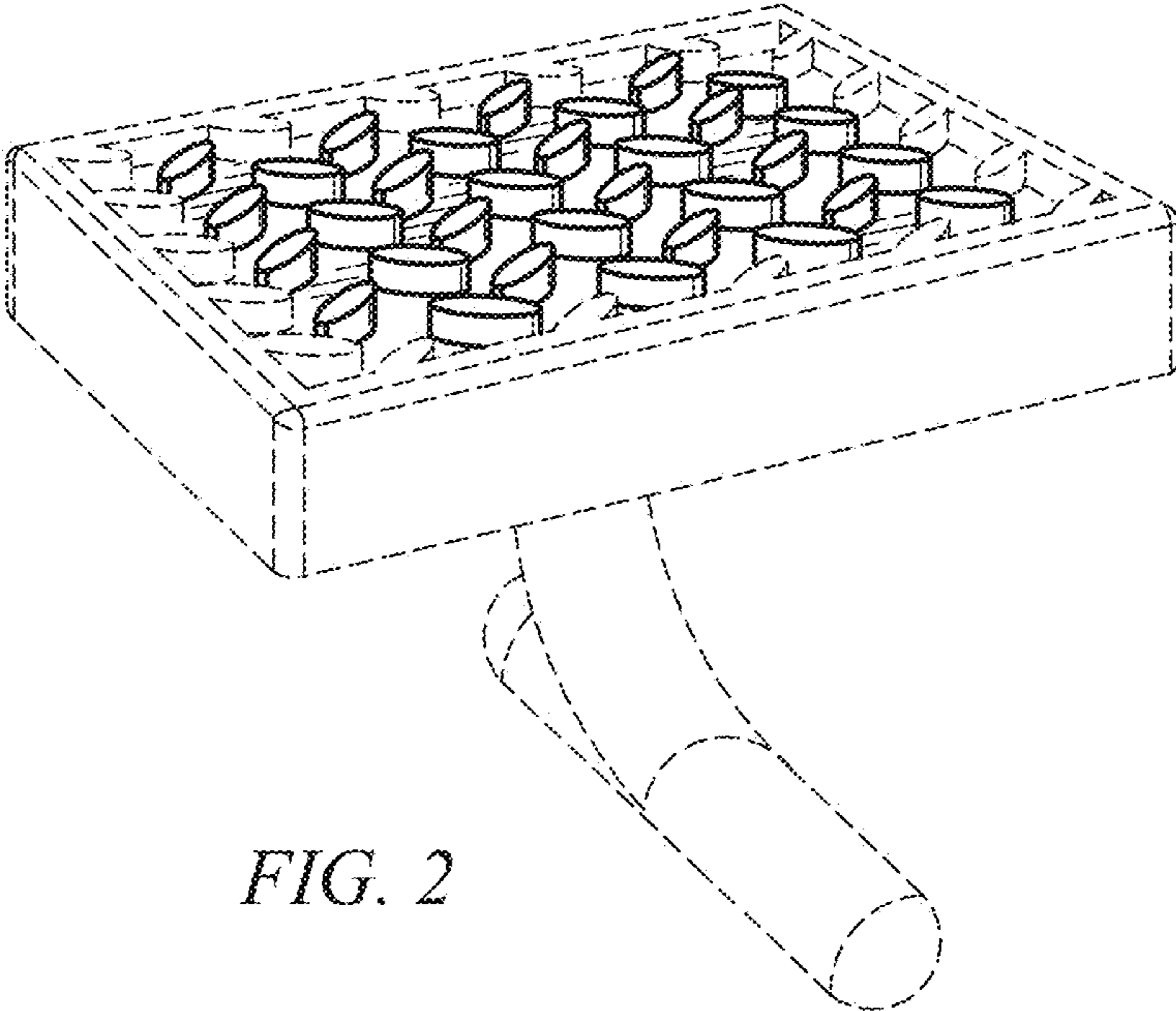


FIG. 2

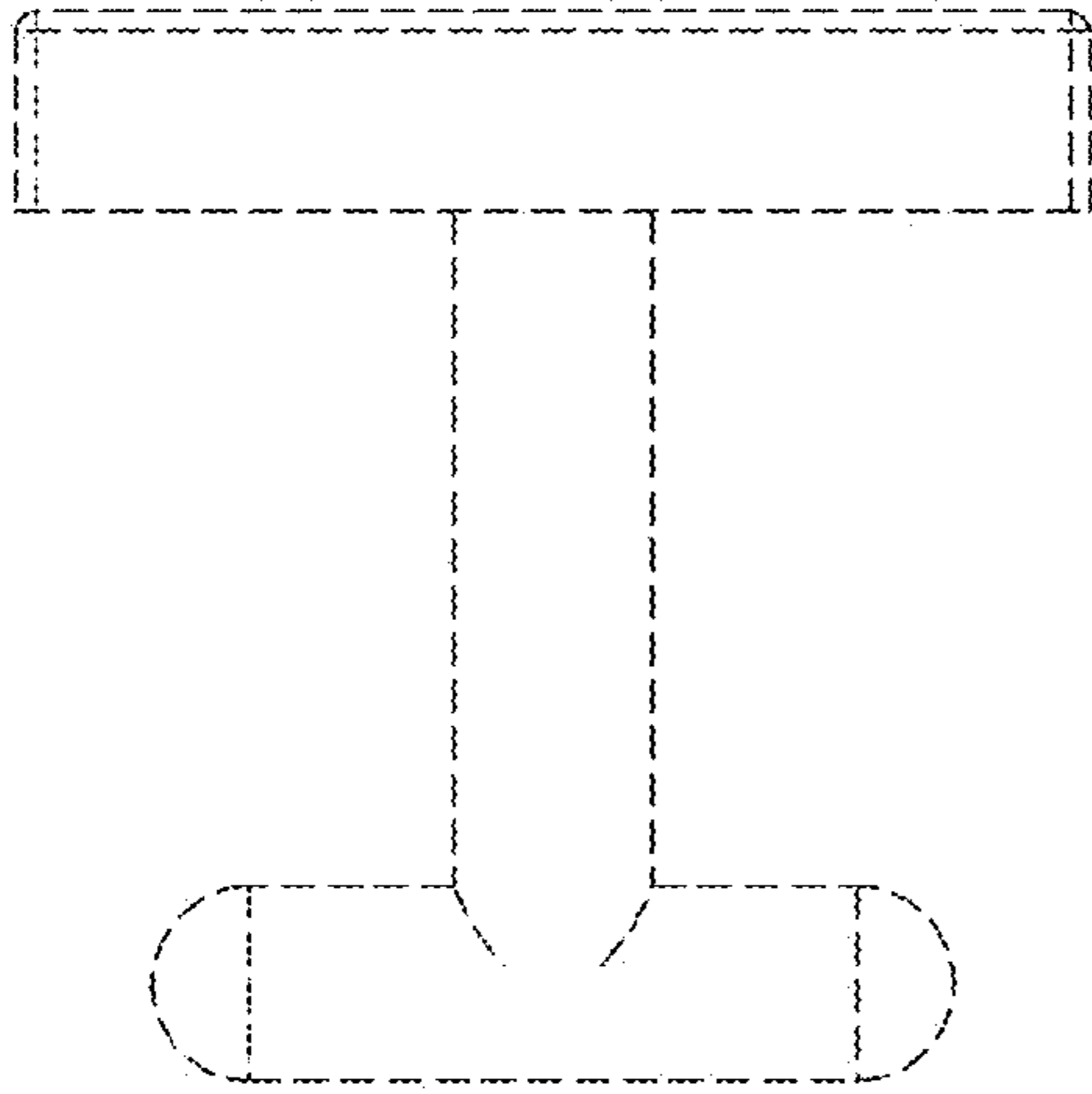


FIG. 3

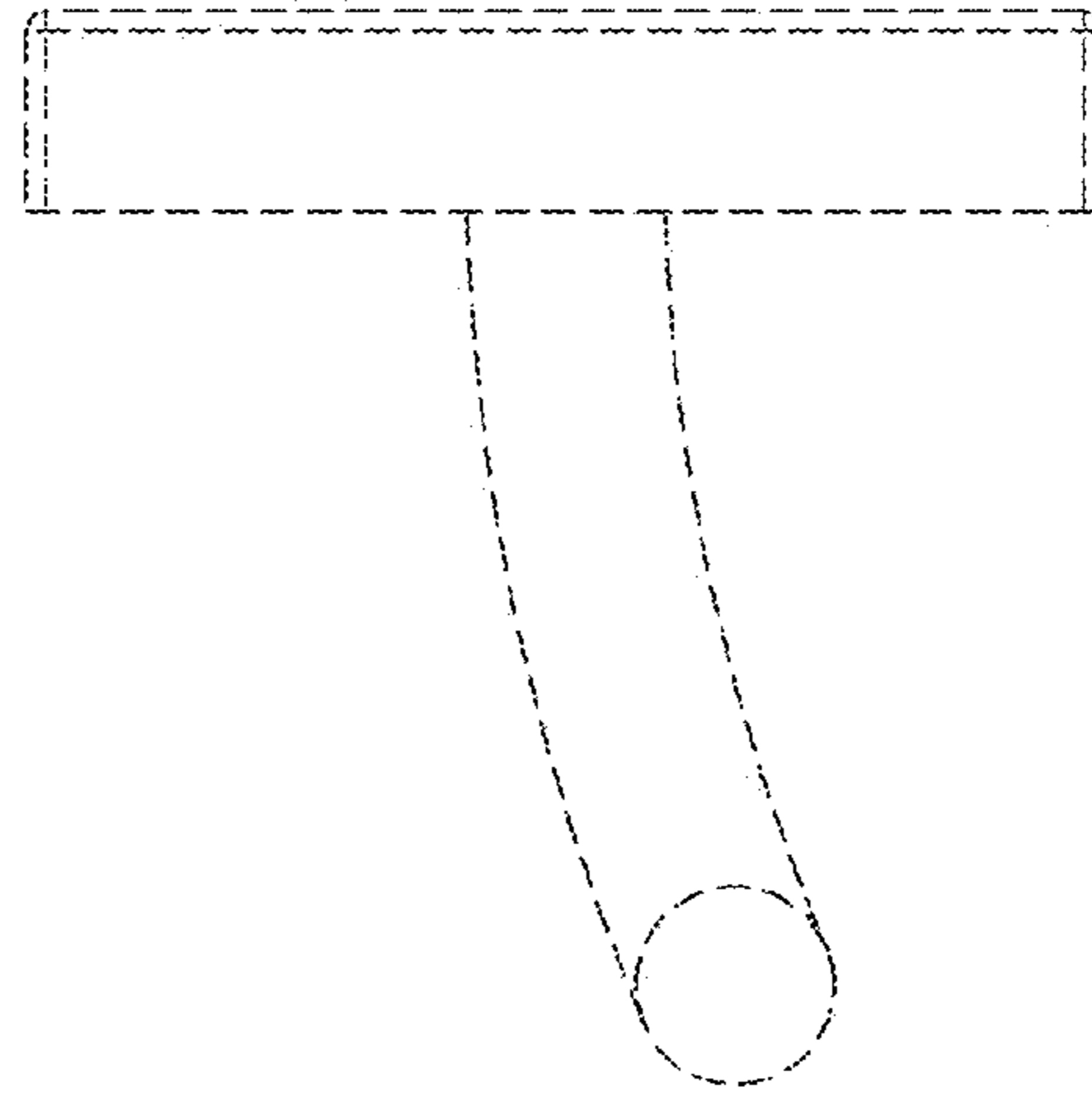


FIG. 4

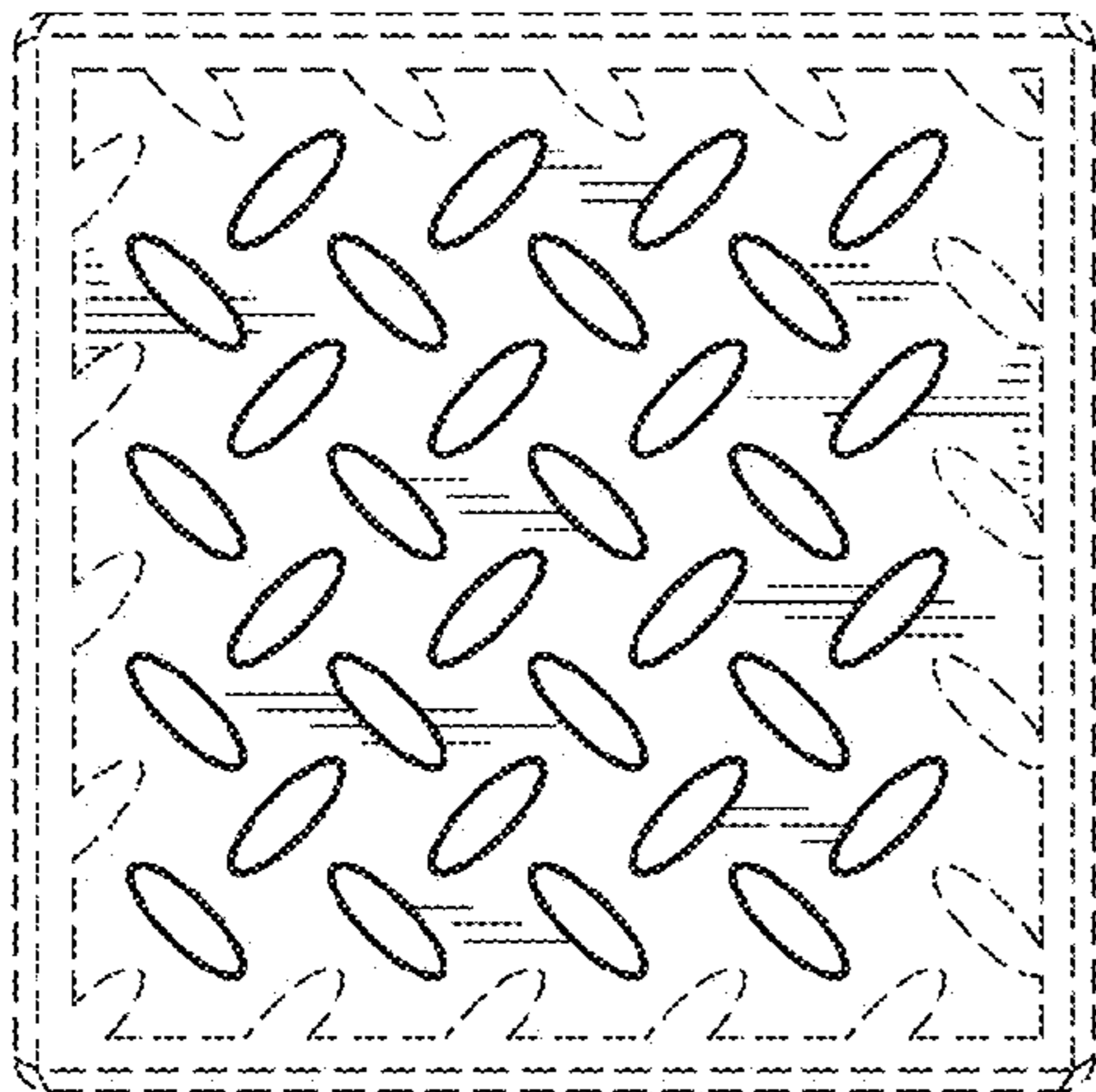


FIG. 5

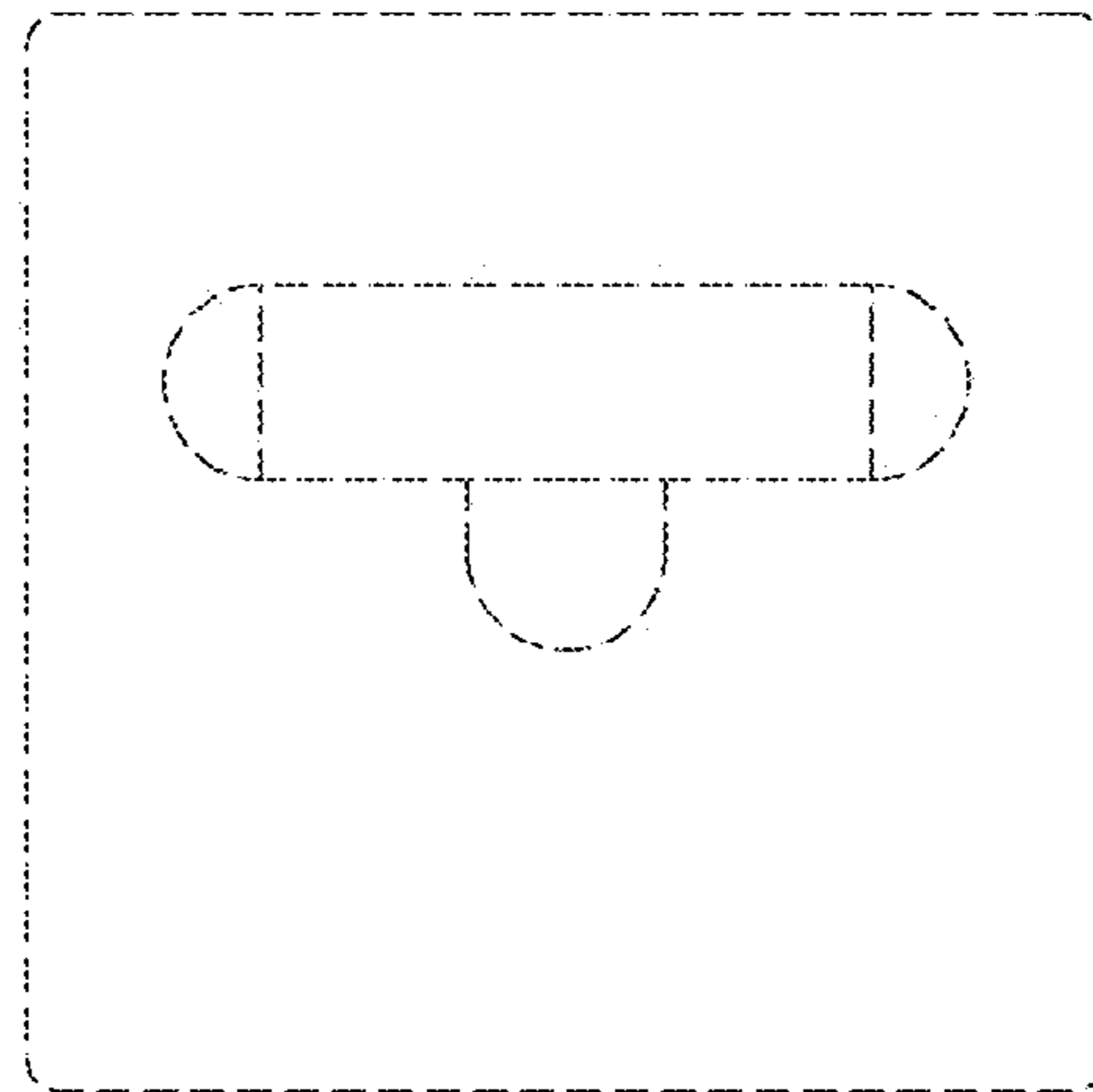


FIG. 6

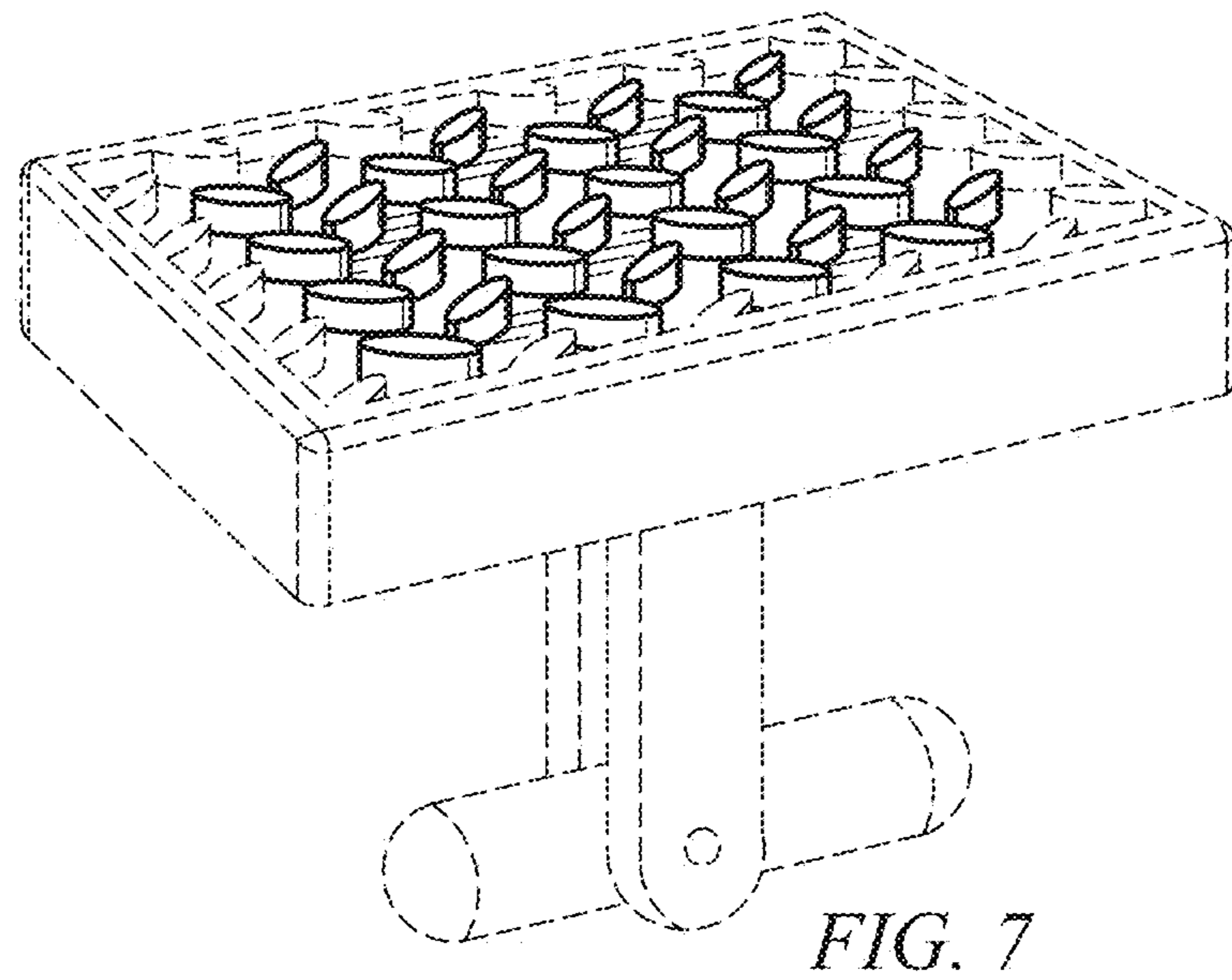


FIG. 7

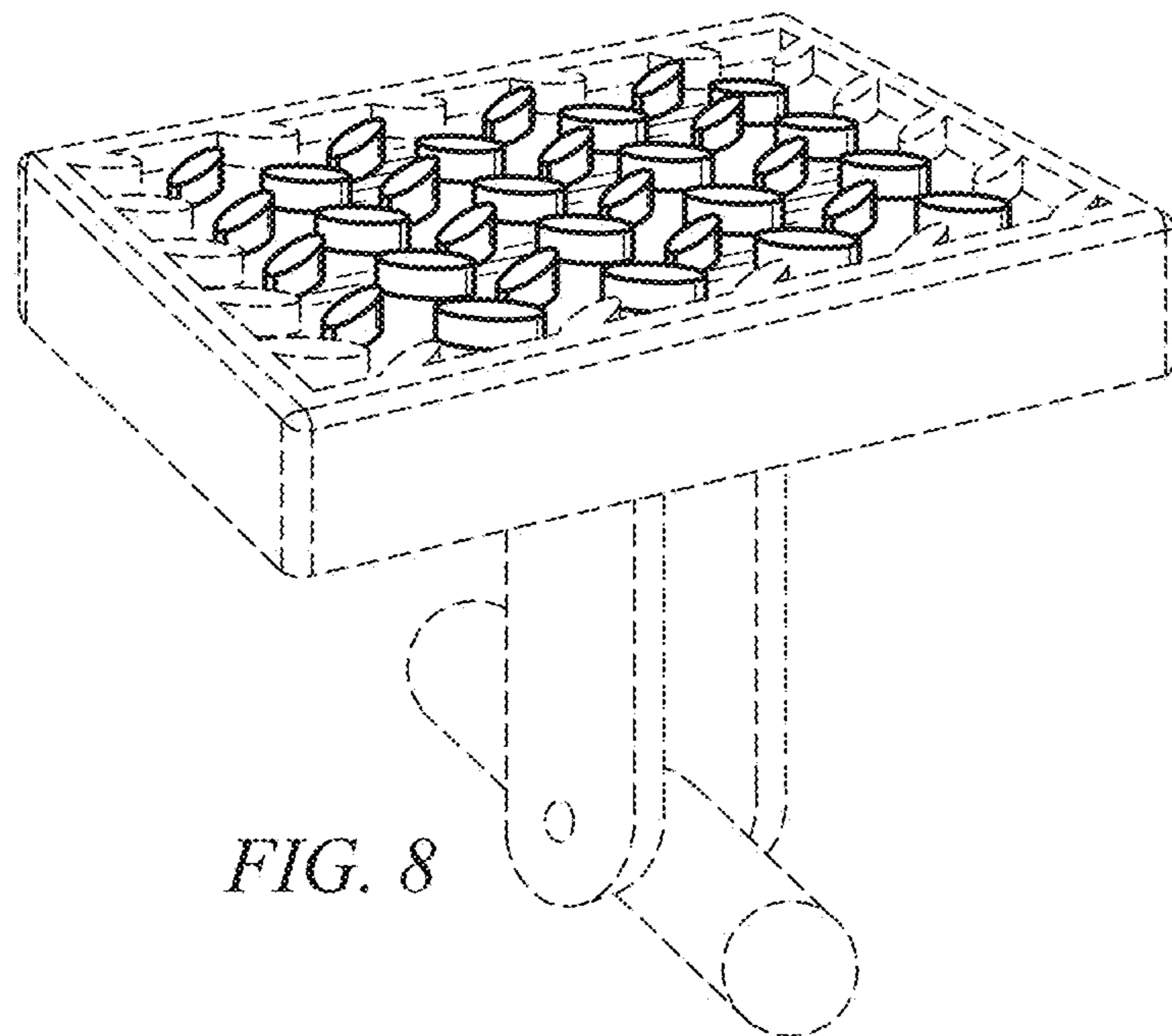


FIG. 8

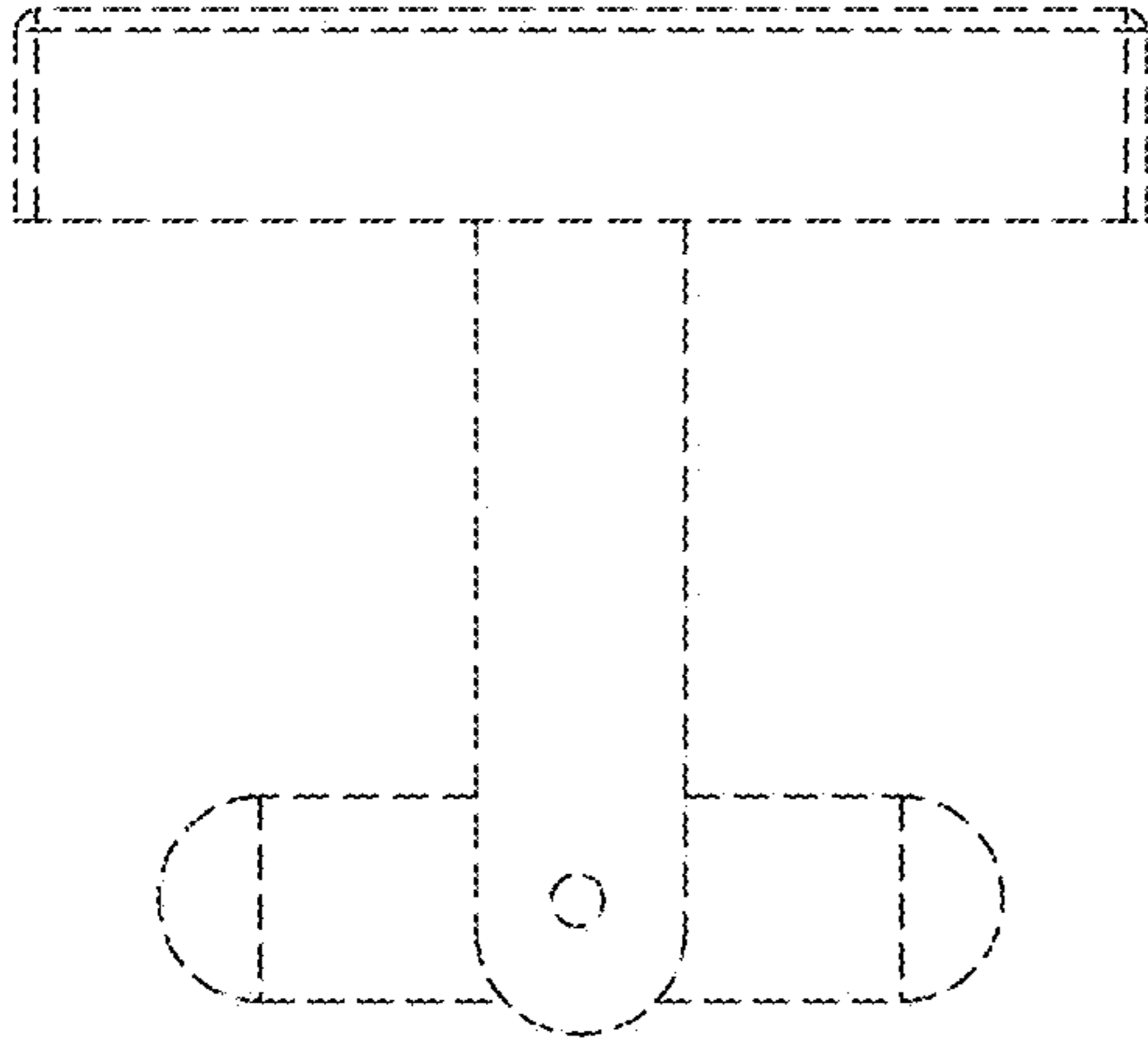


FIG. 9

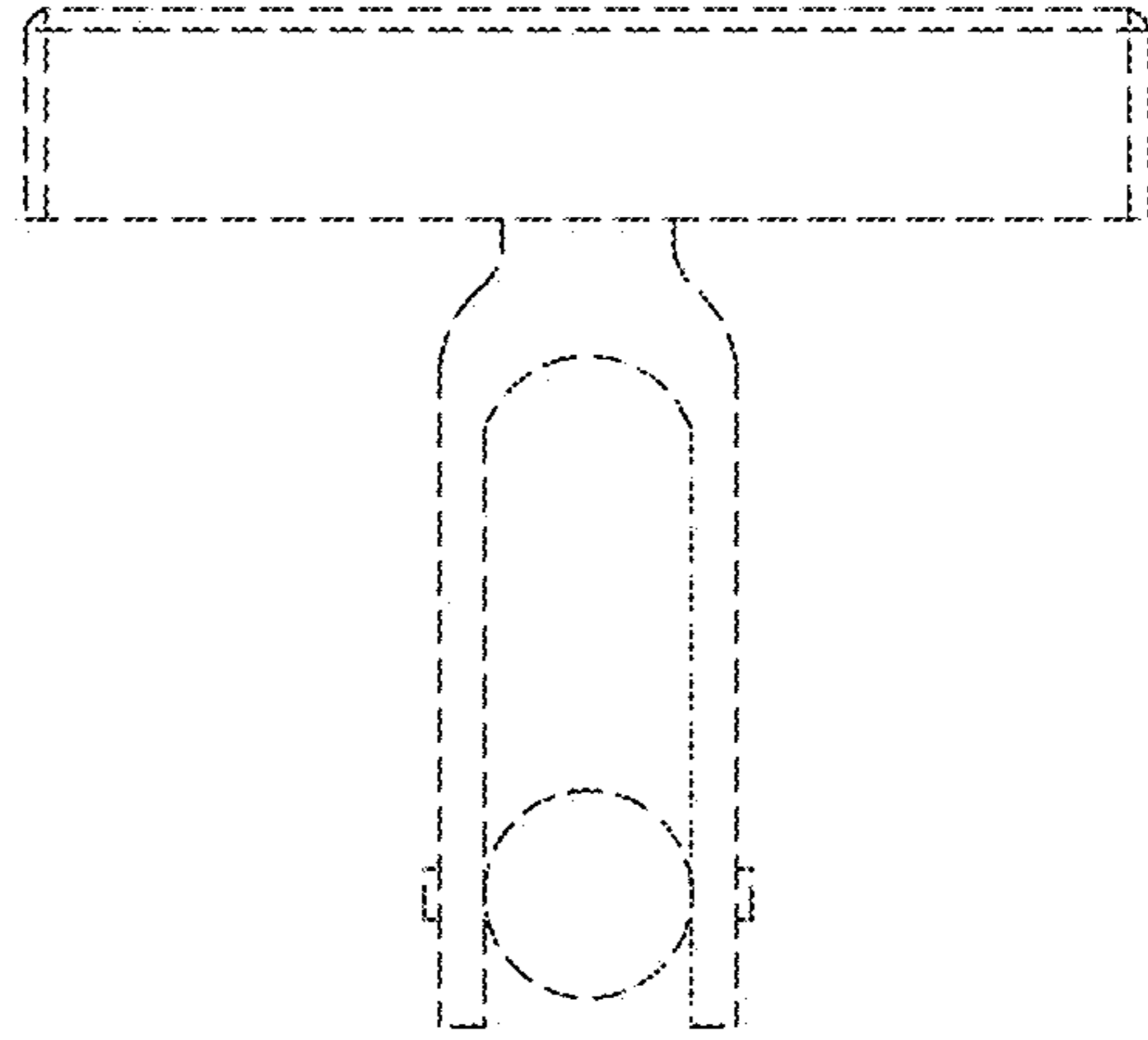


FIG. 10

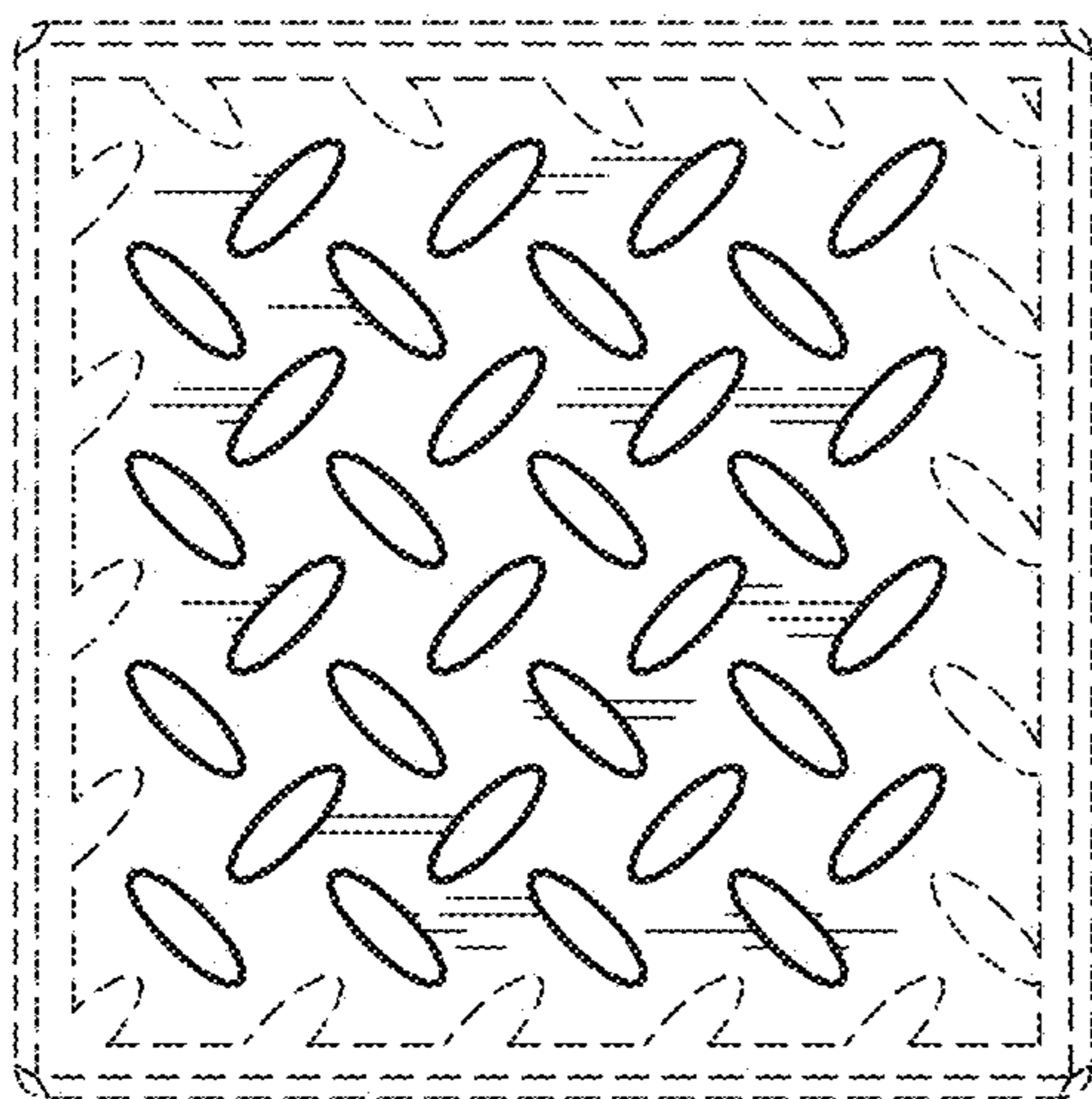


FIG. 11

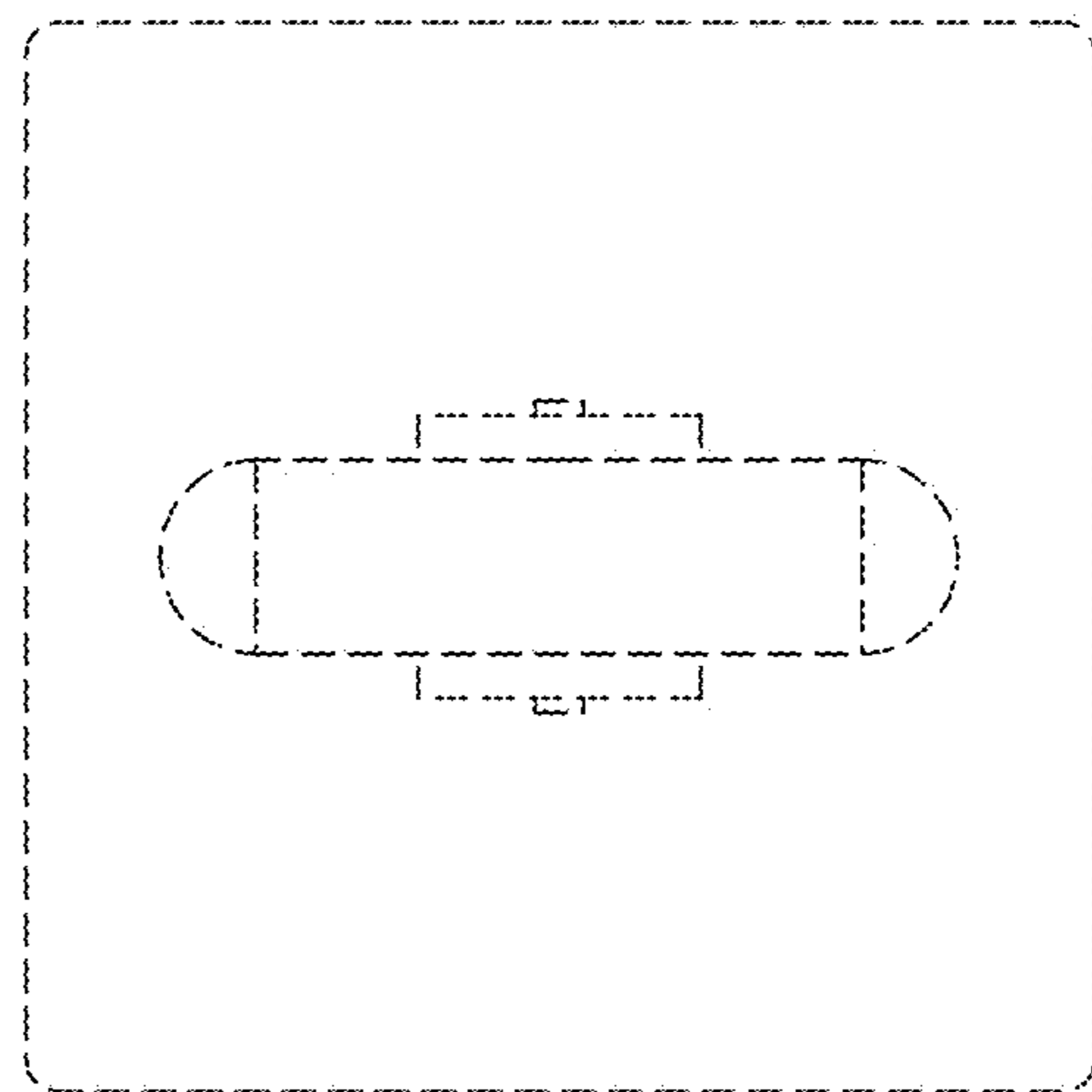


FIG. 12

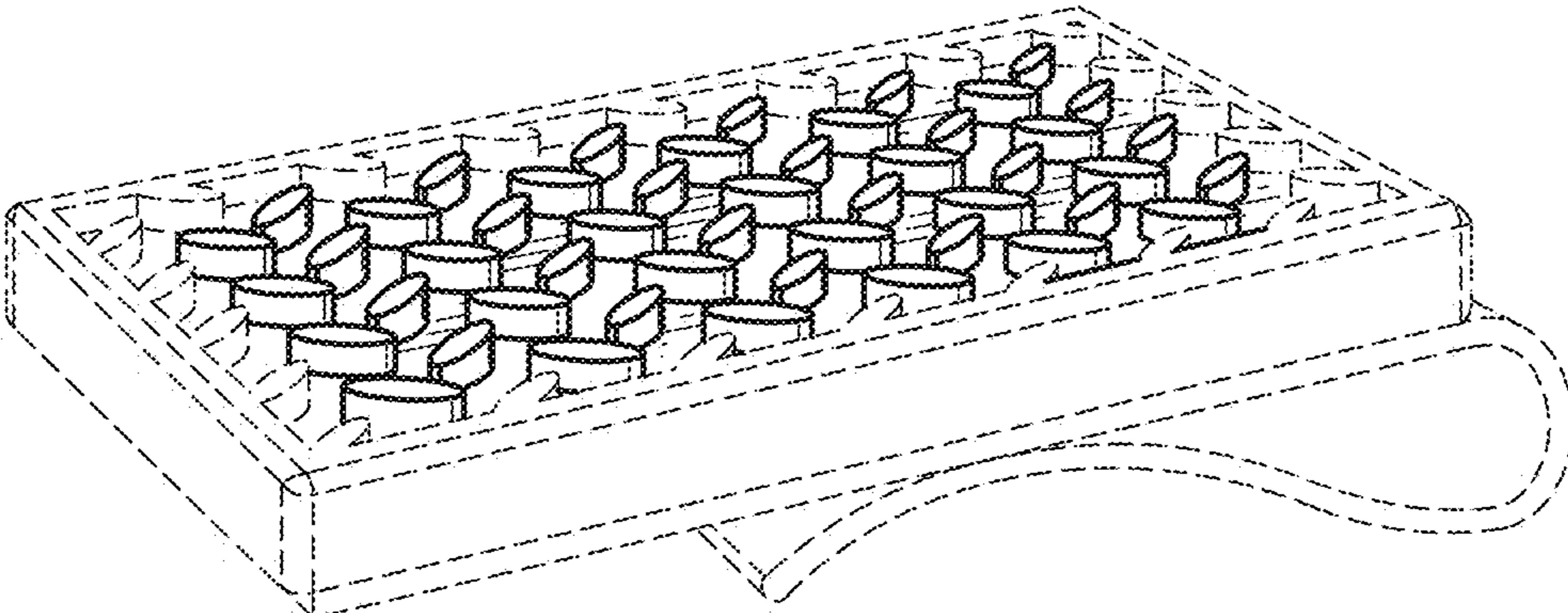


FIG. 13

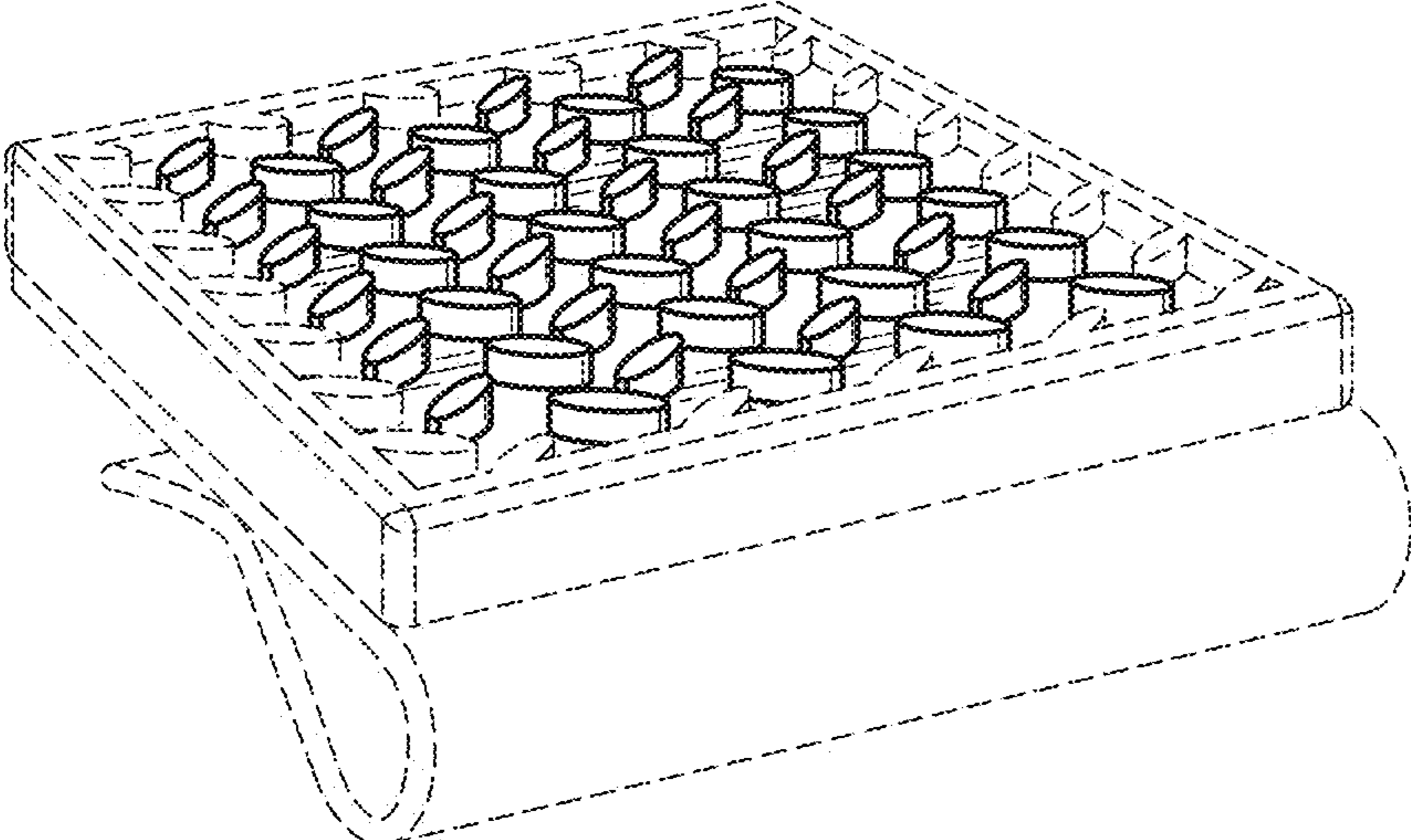


FIG. 14

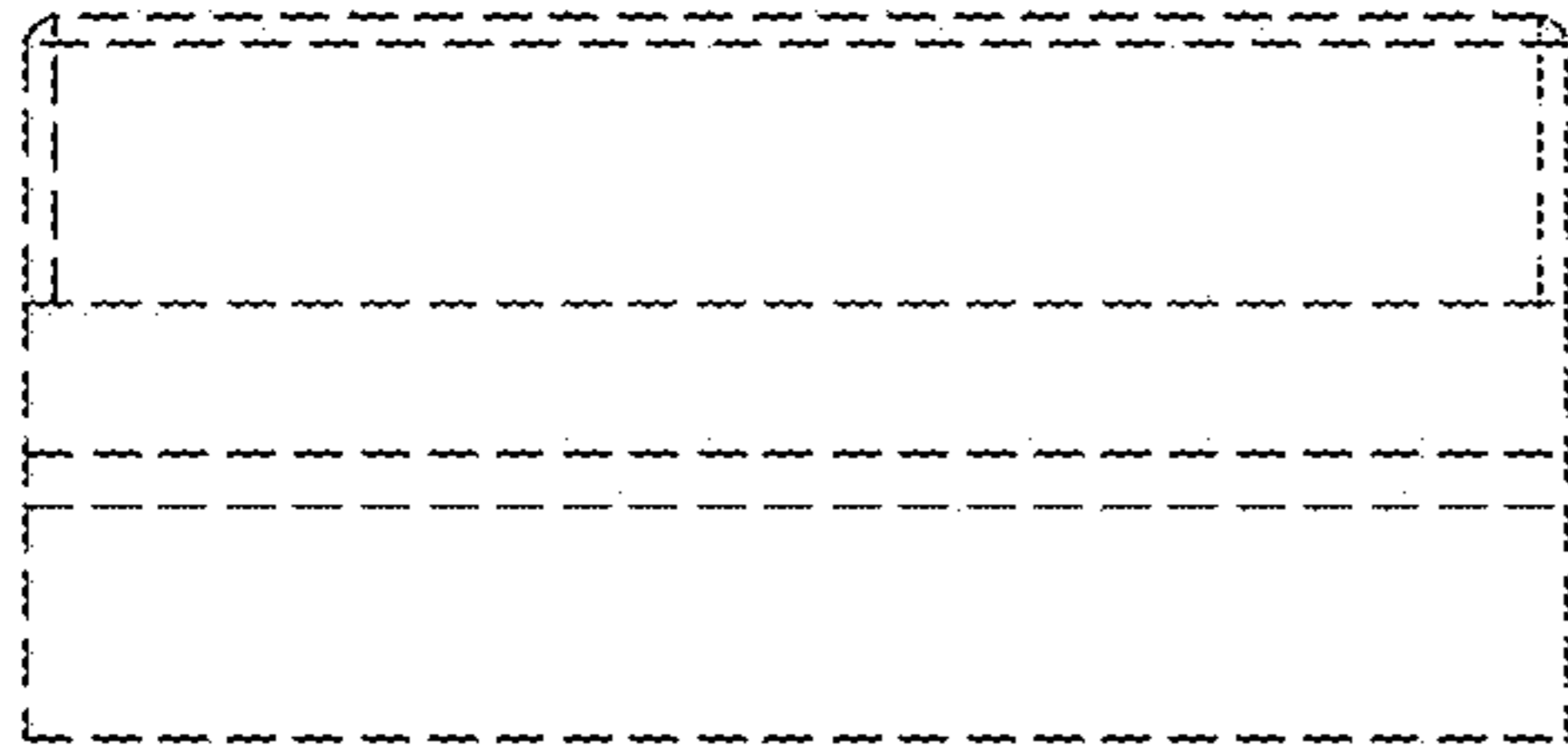


FIG. 15

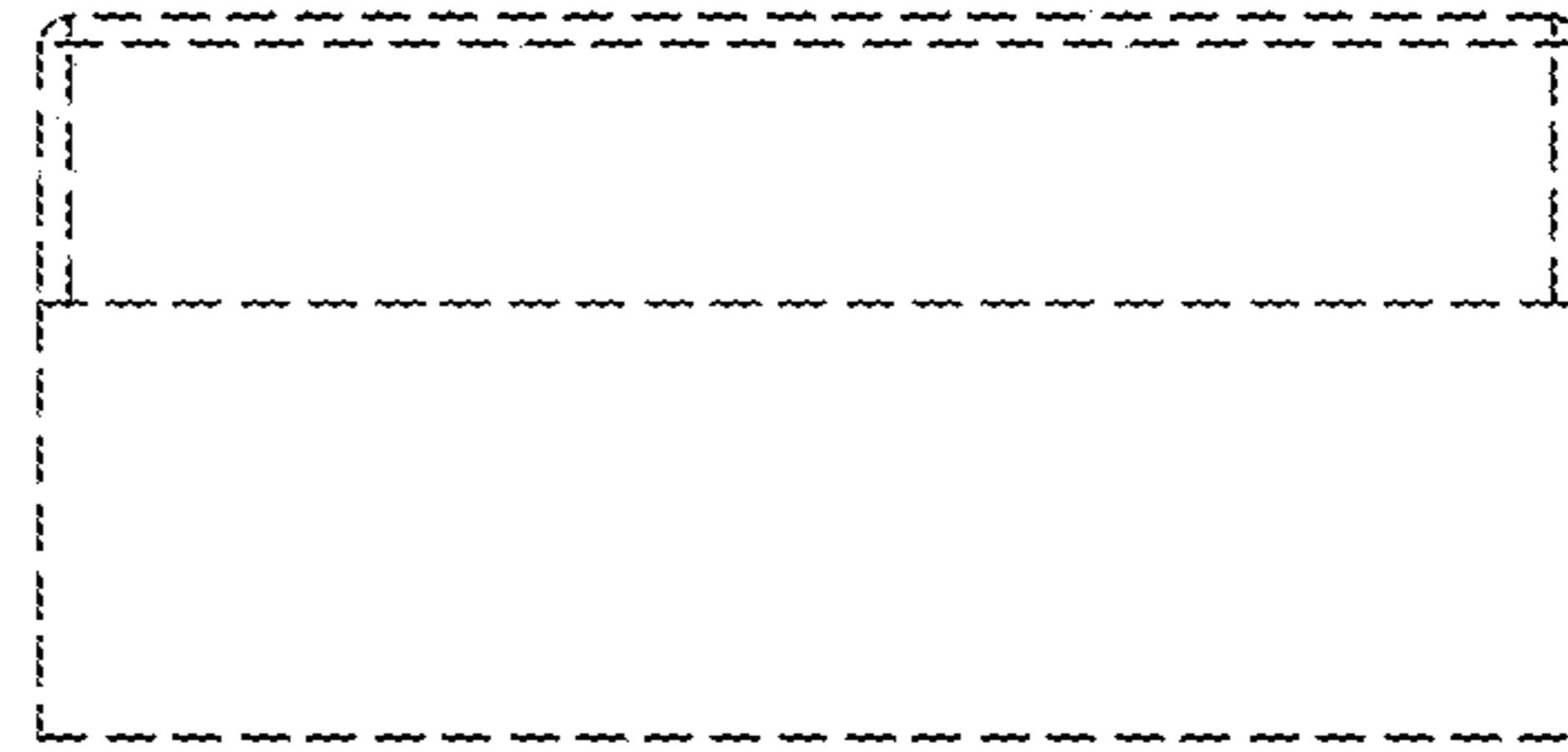


FIG. 16

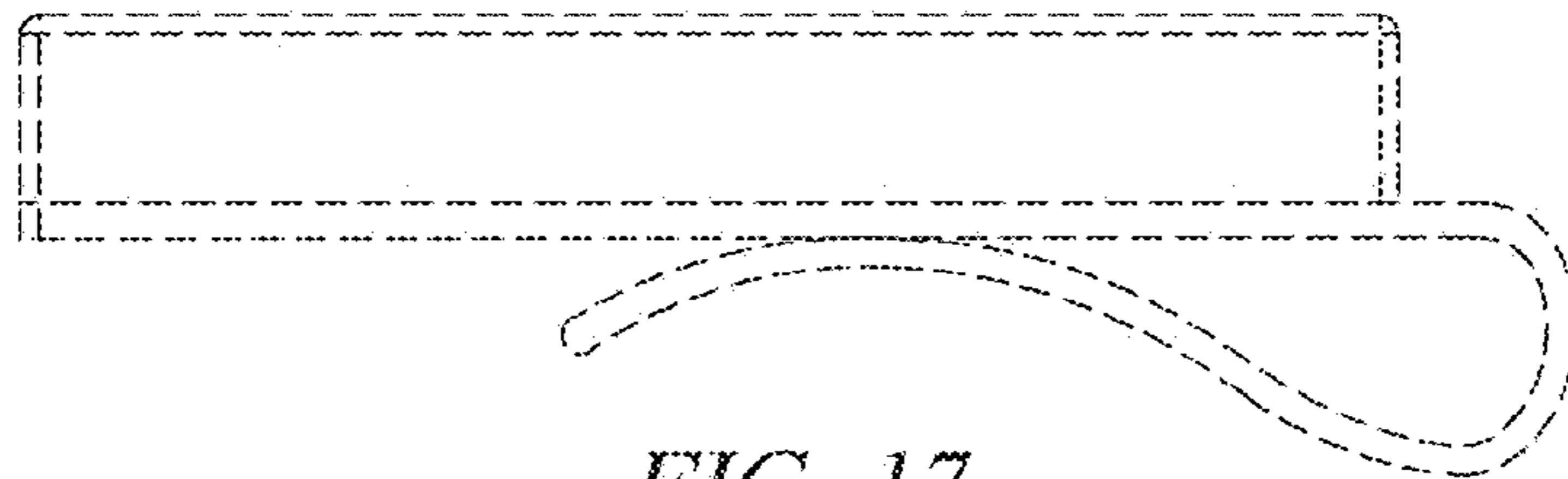


FIG. 17

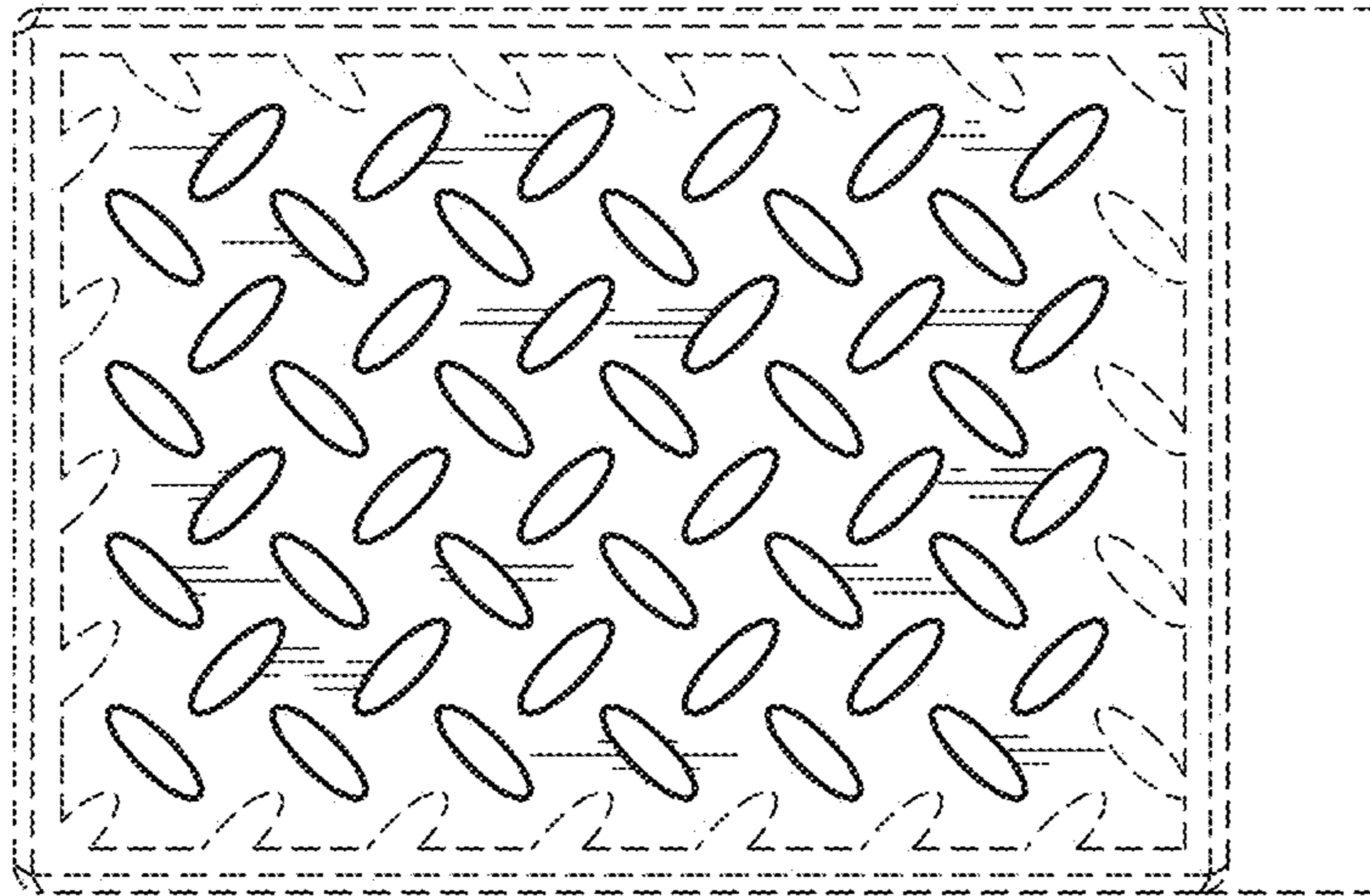


FIG. 18

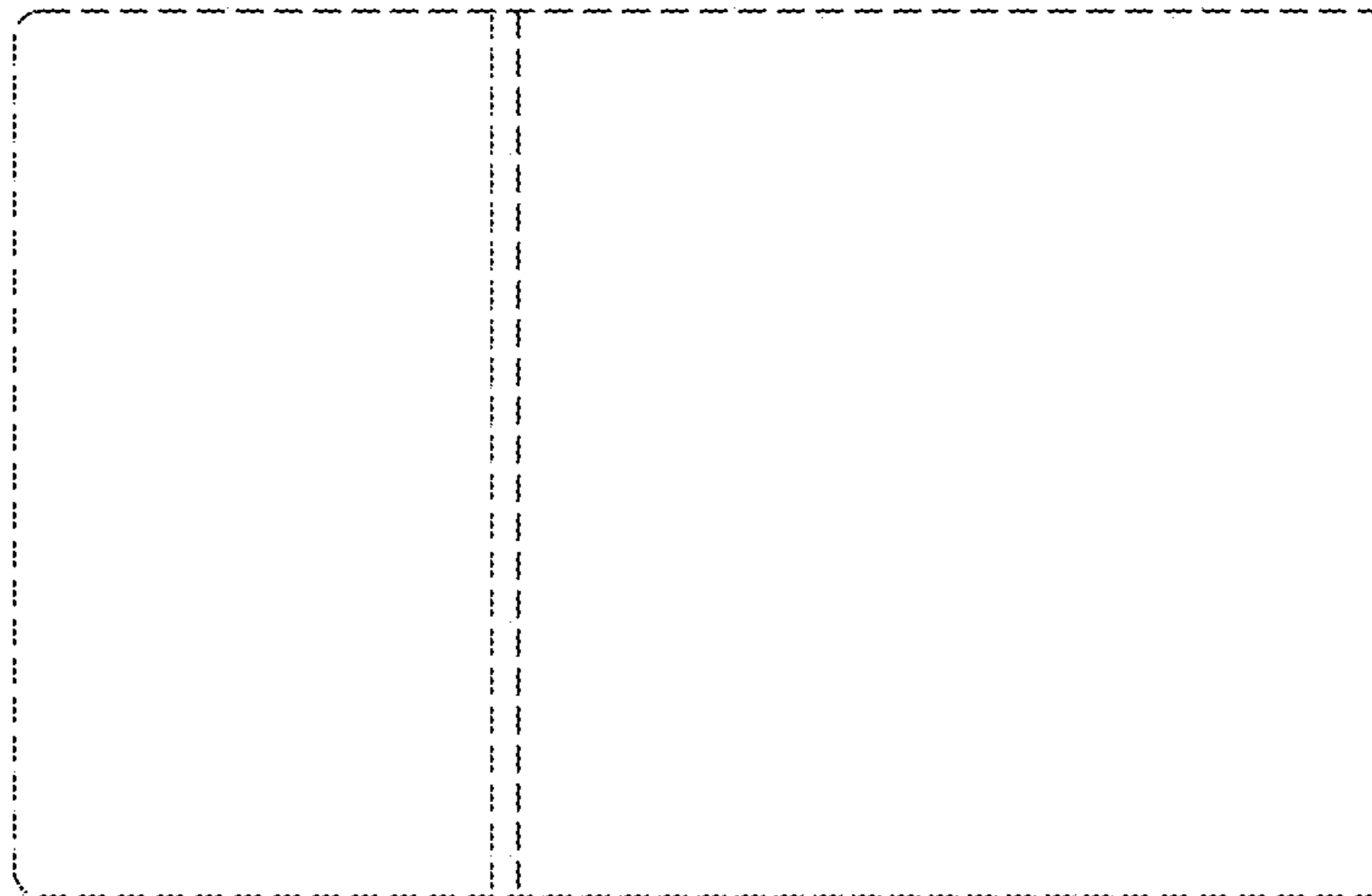


FIG. 19

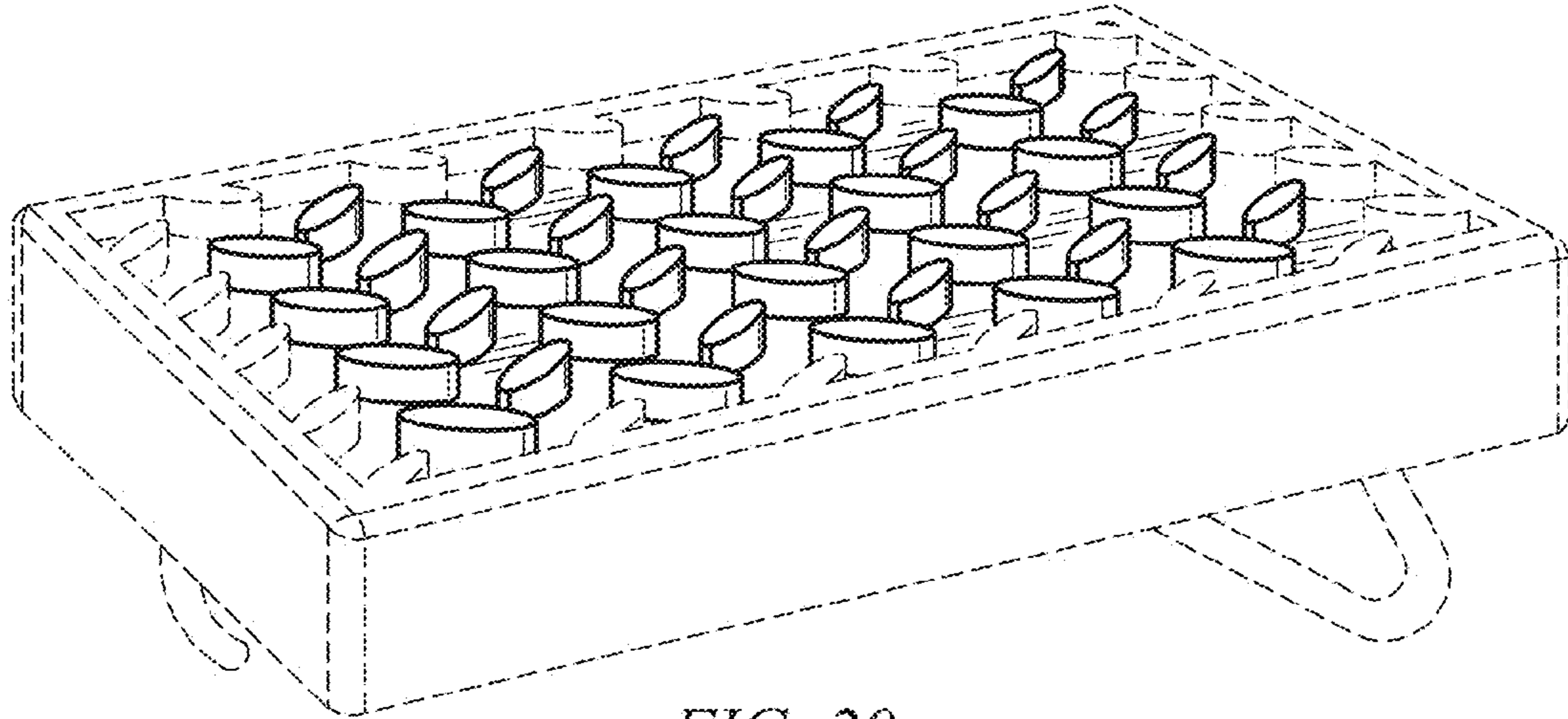


FIG. 20

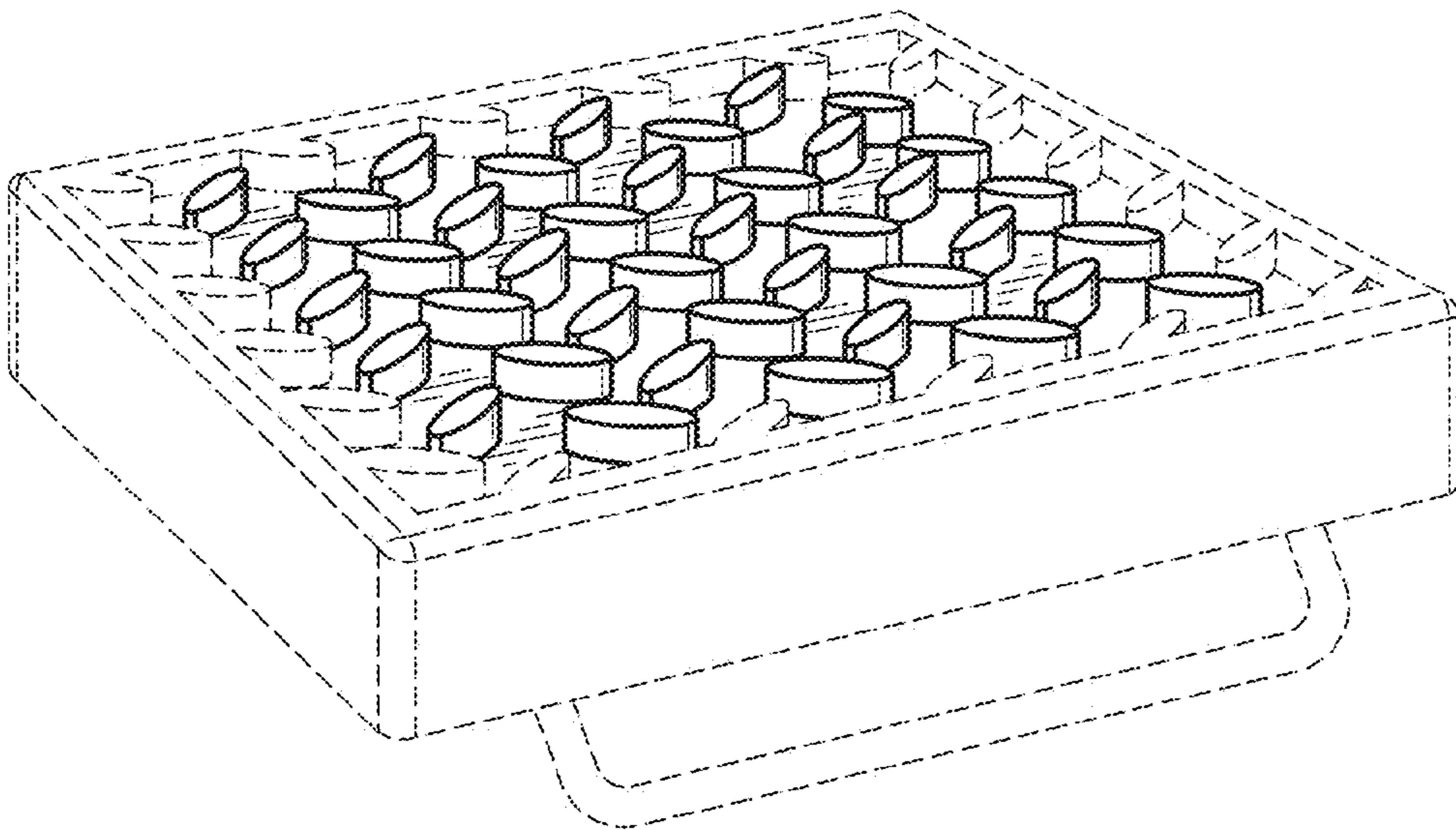


FIG. 21

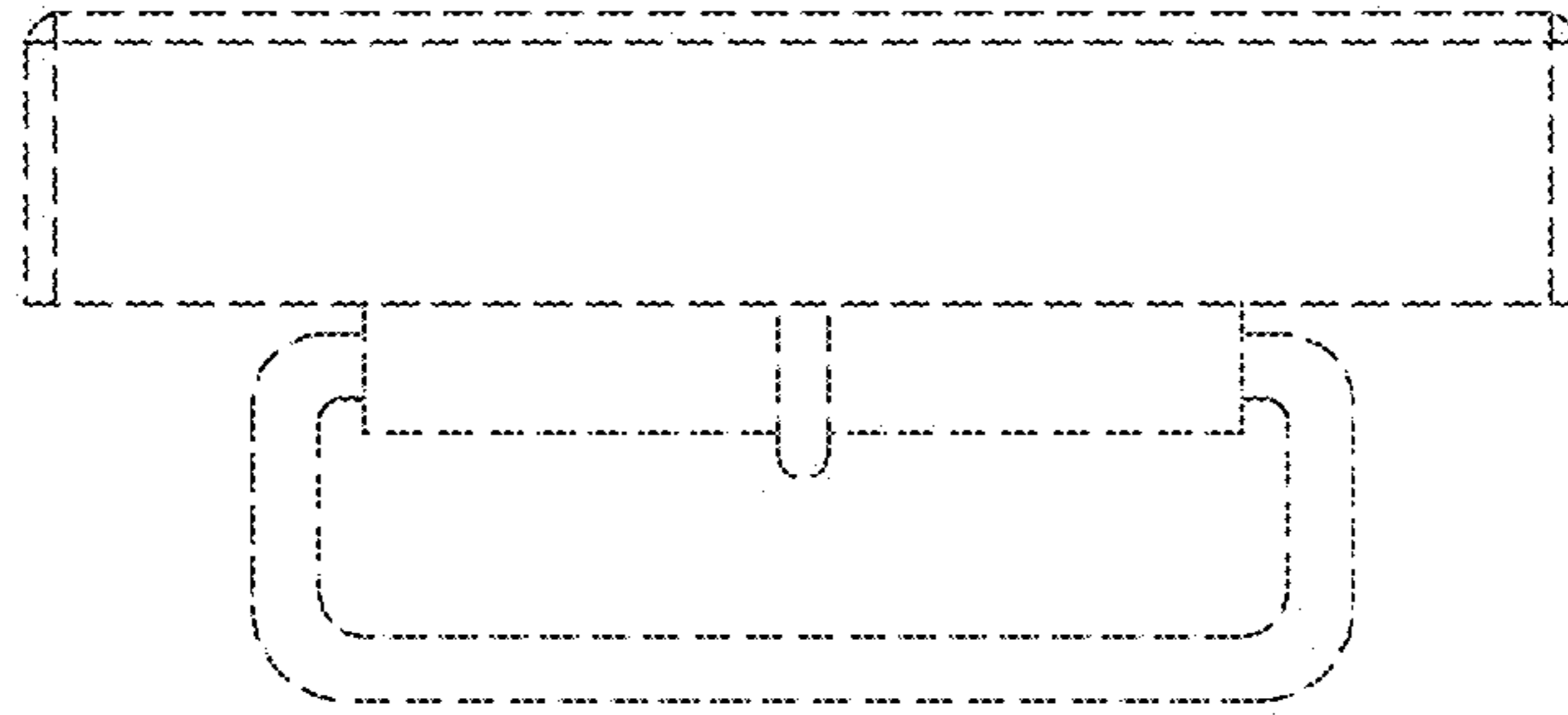


FIG. 22

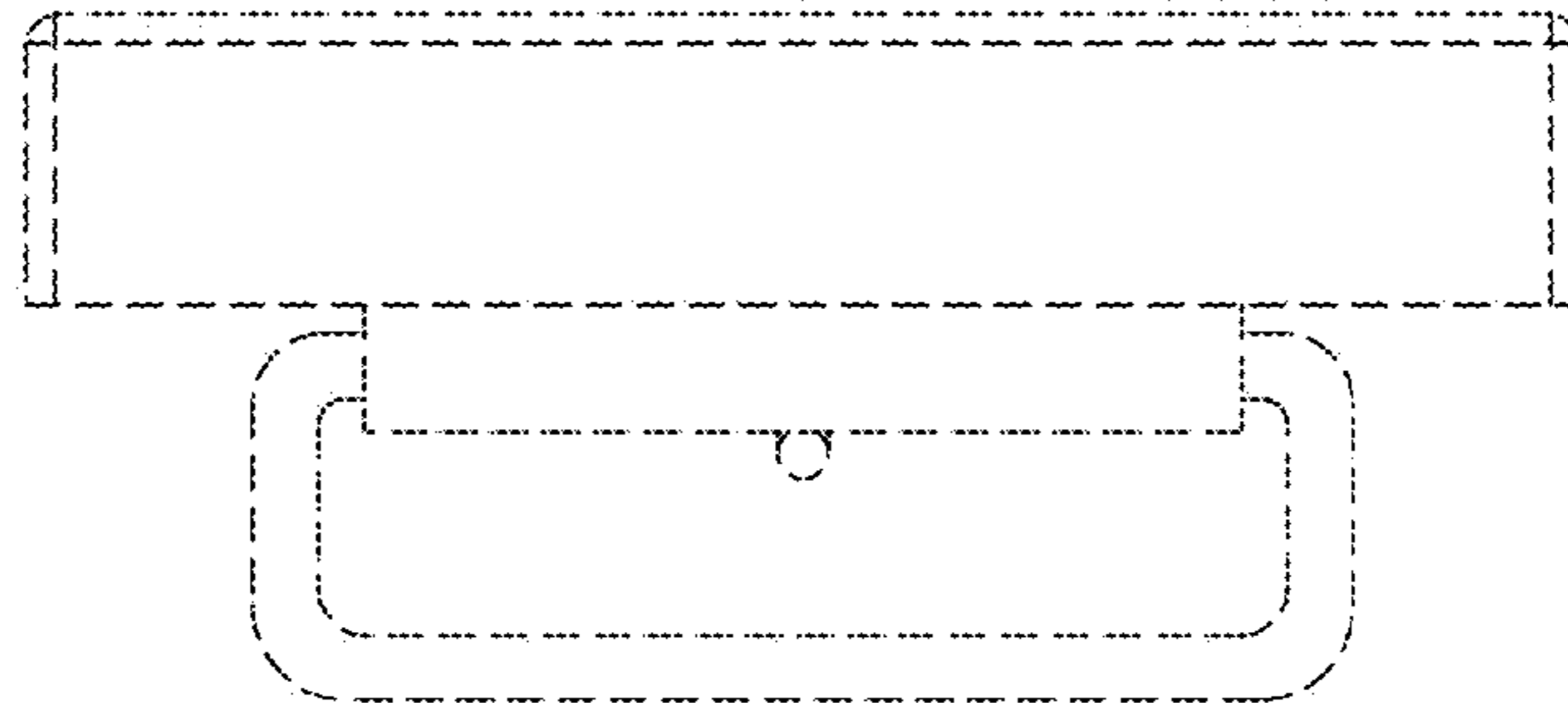


FIG. 23

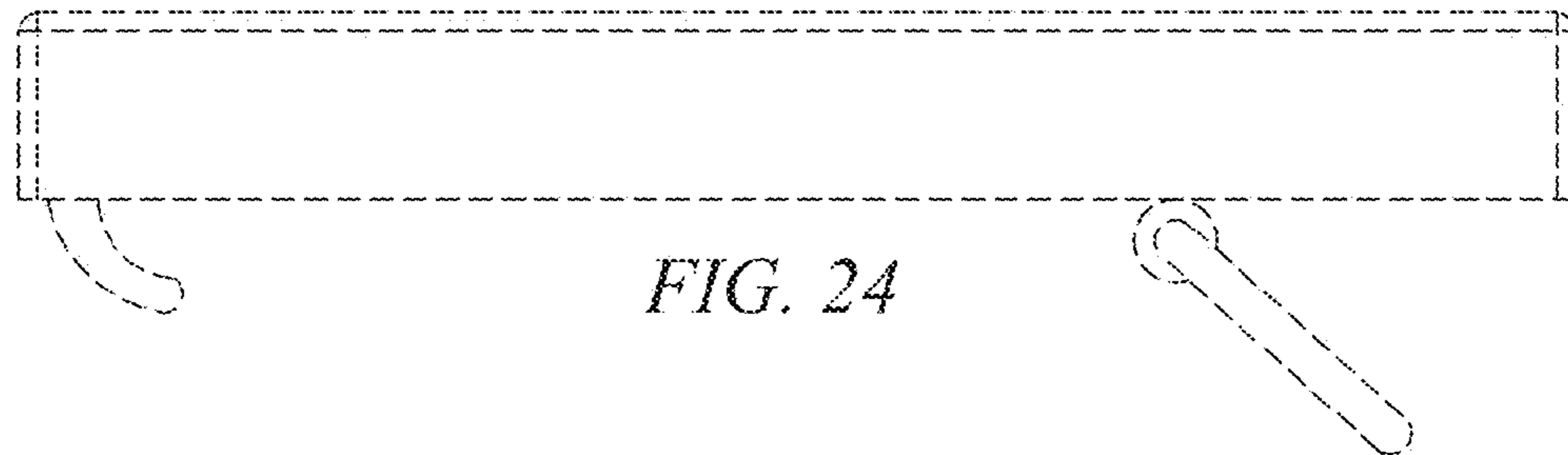


FIG. 24

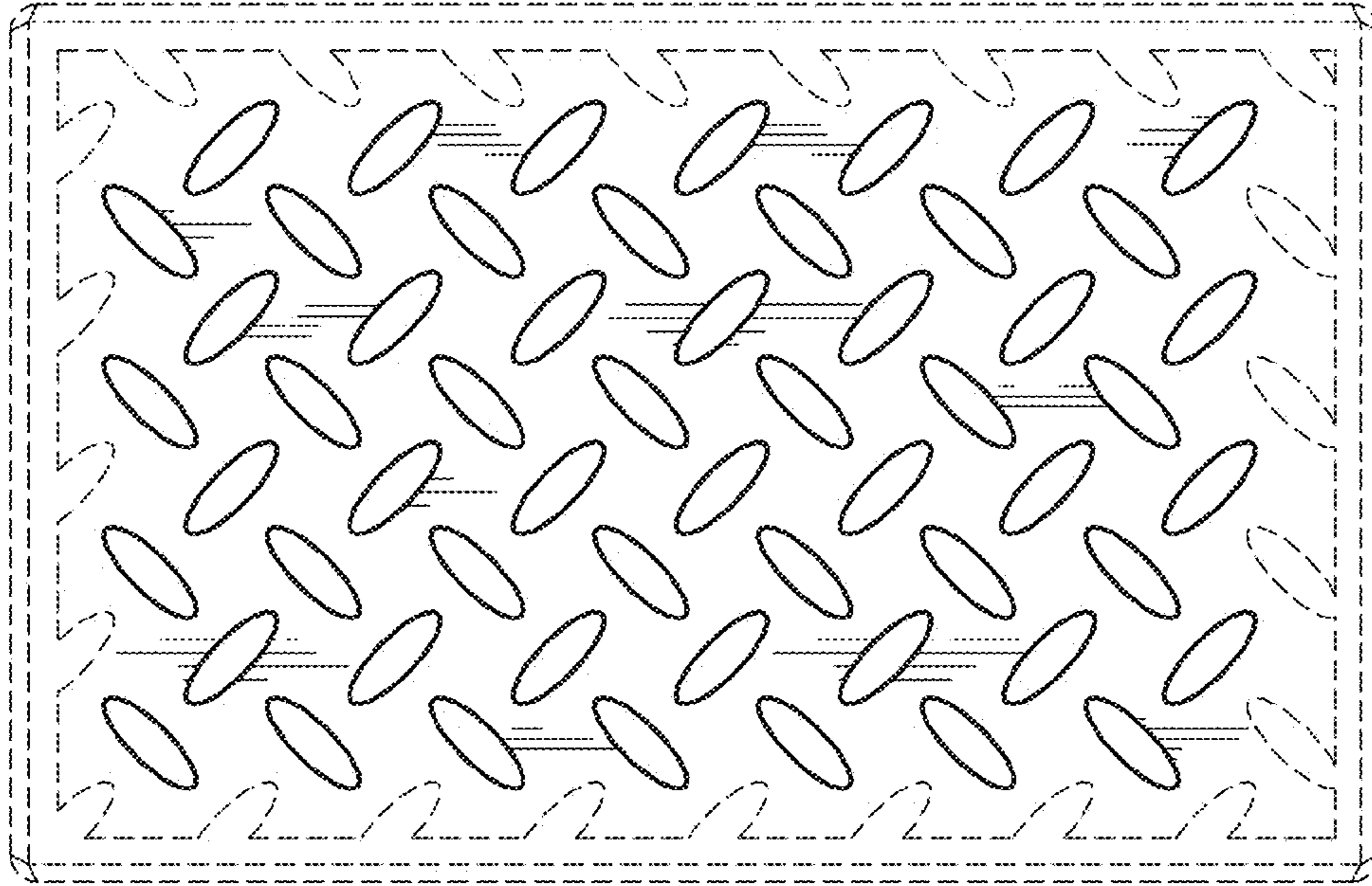


FIG. 25

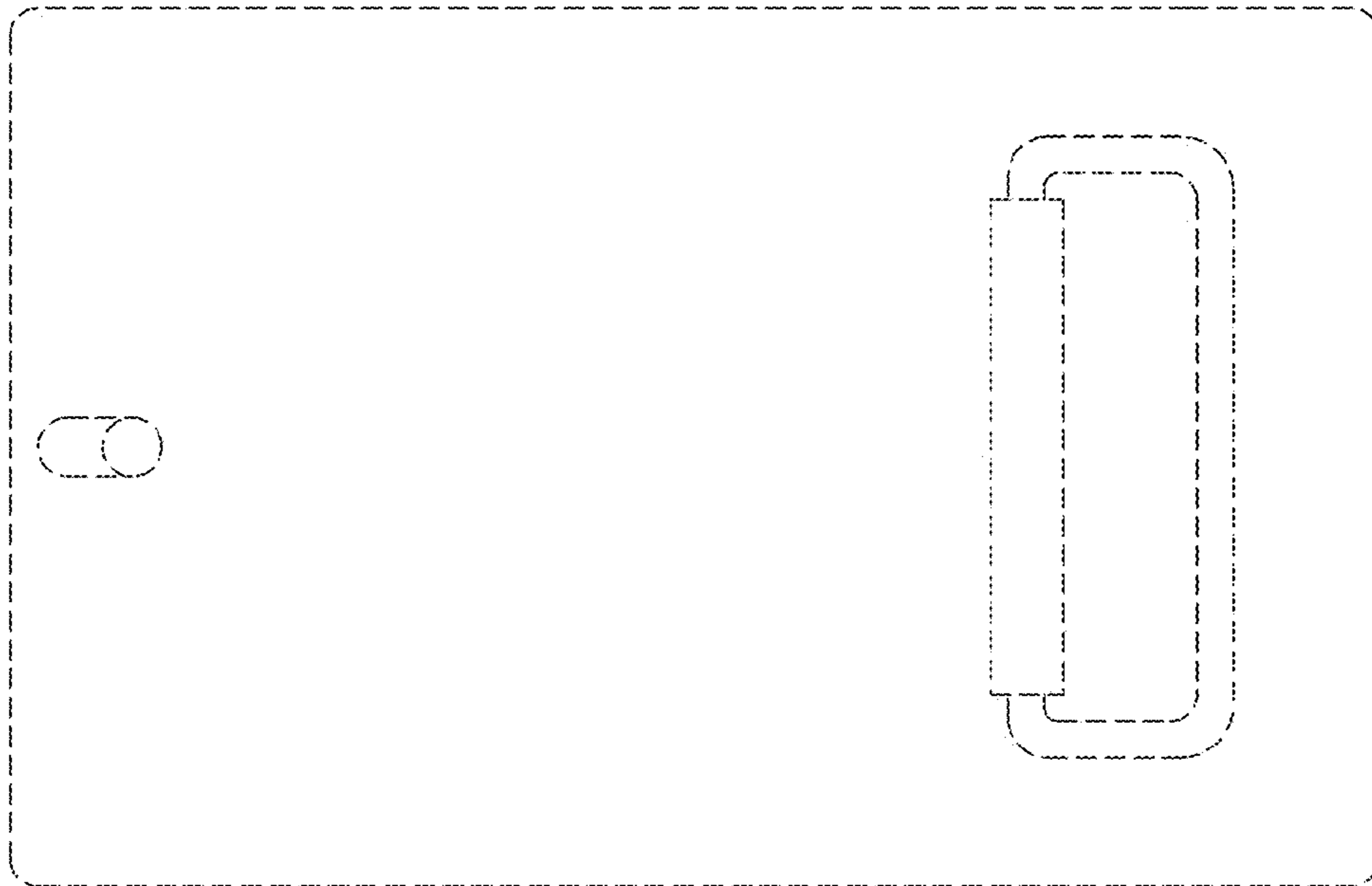


FIG. 26

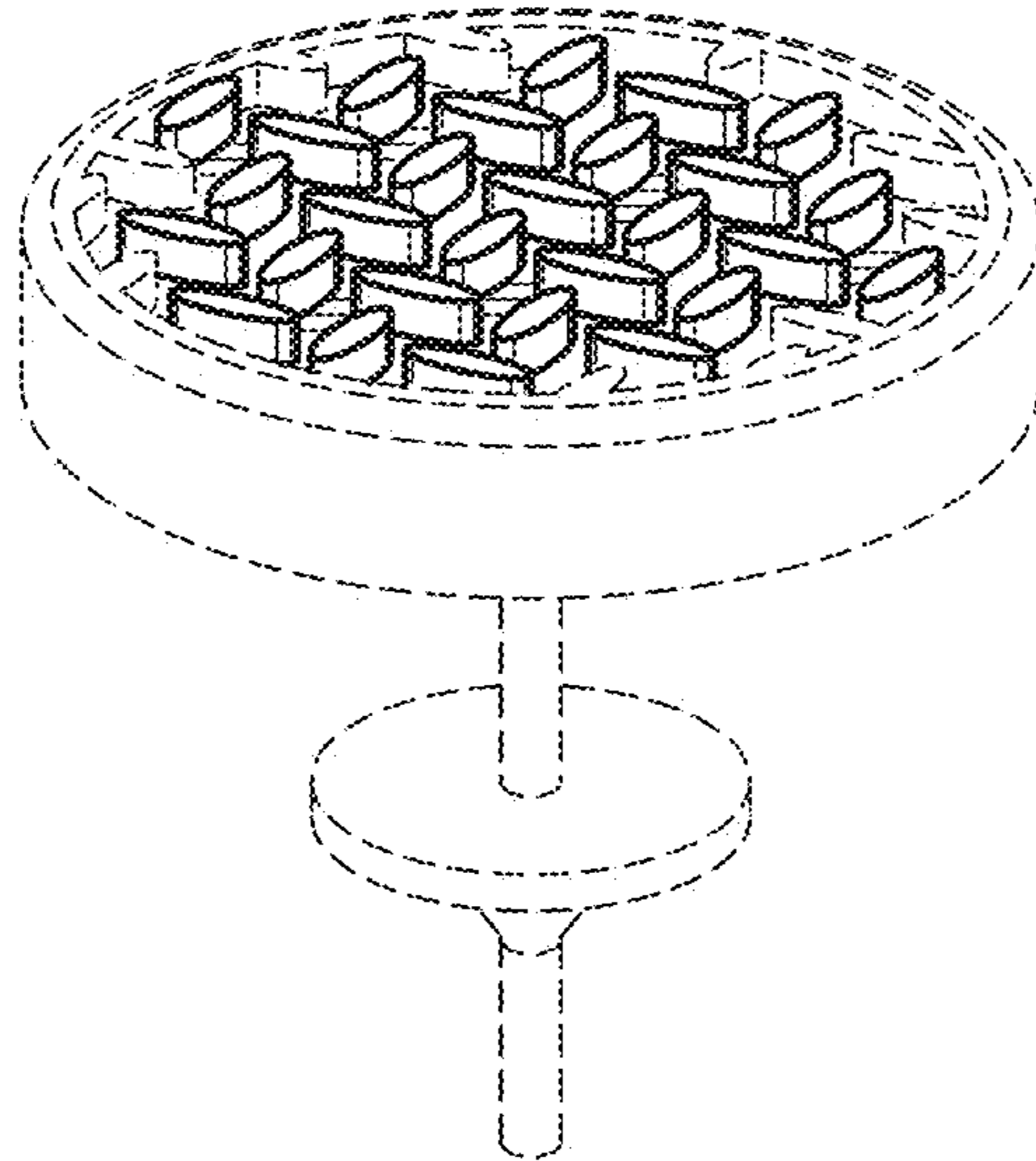


FIG. 27

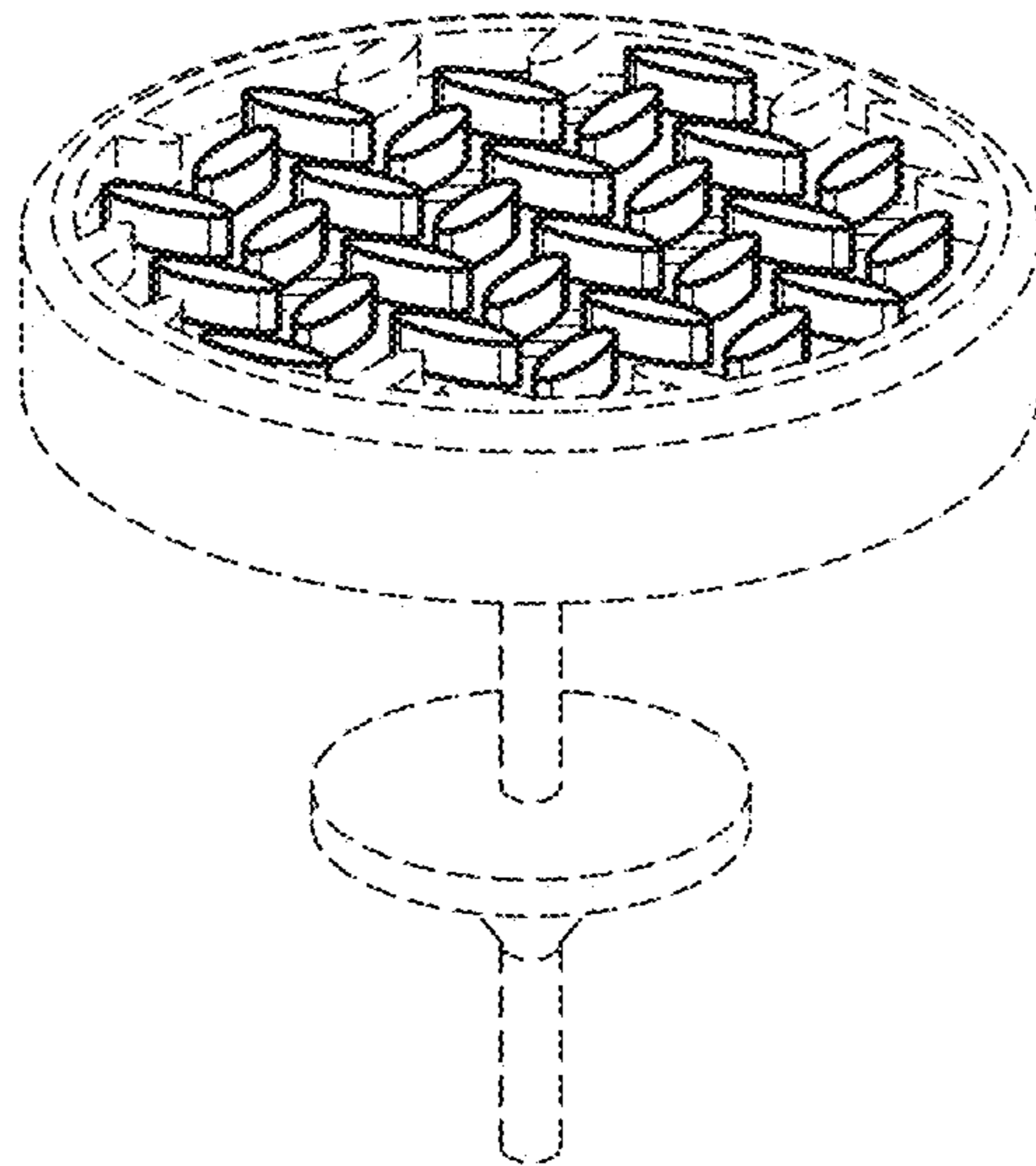


FIG. 28

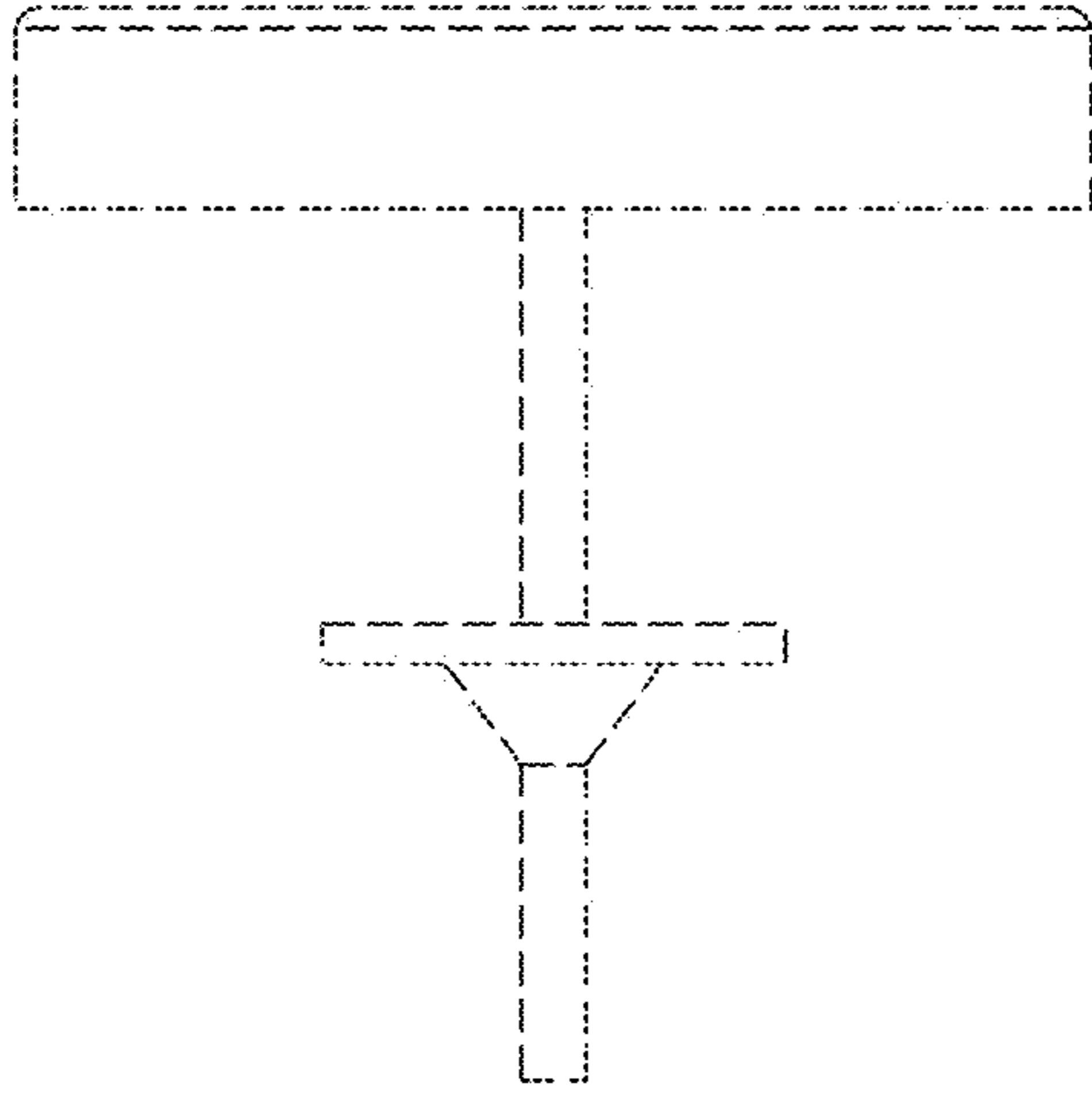


FIG. 29

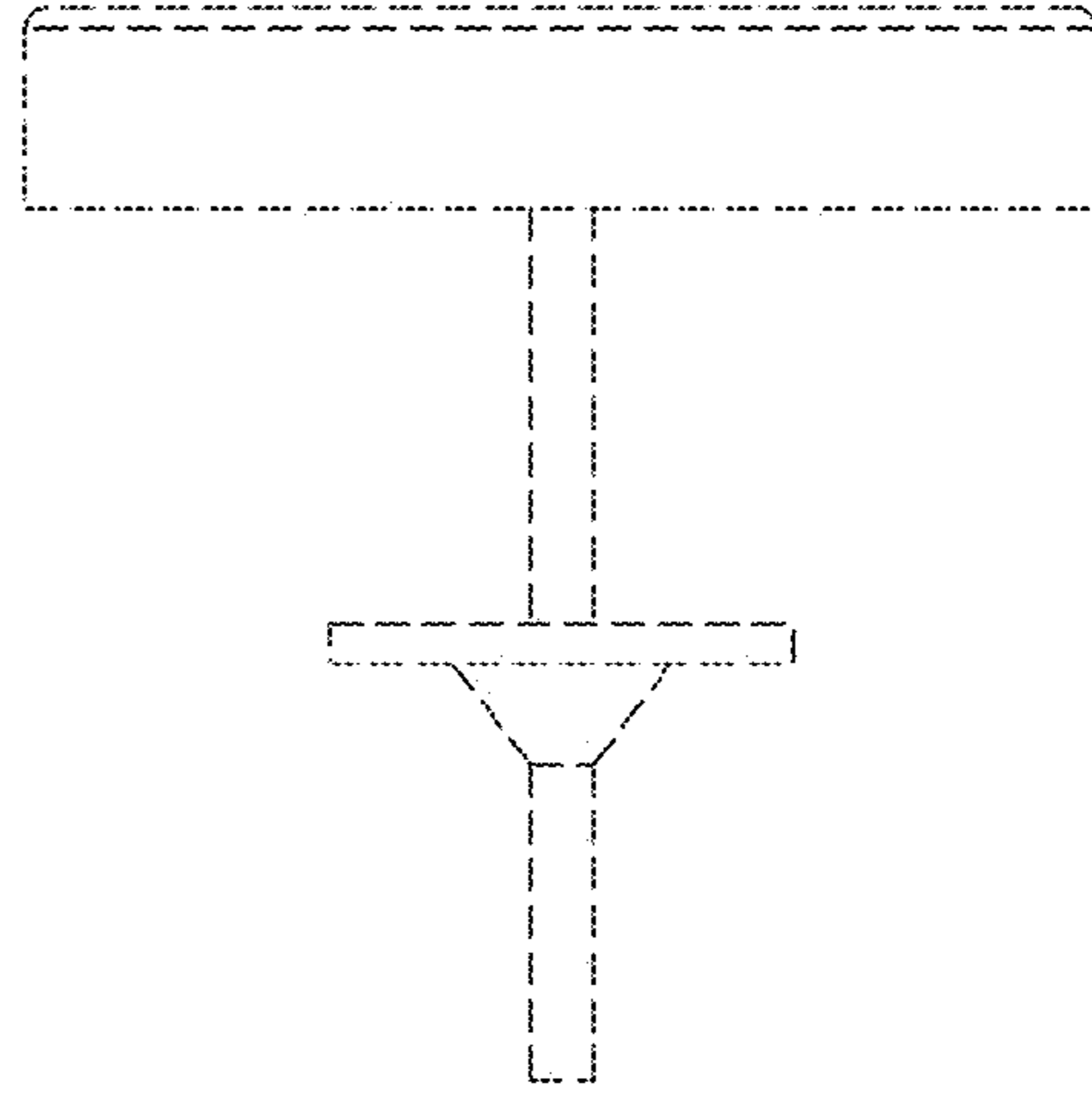


FIG. 30

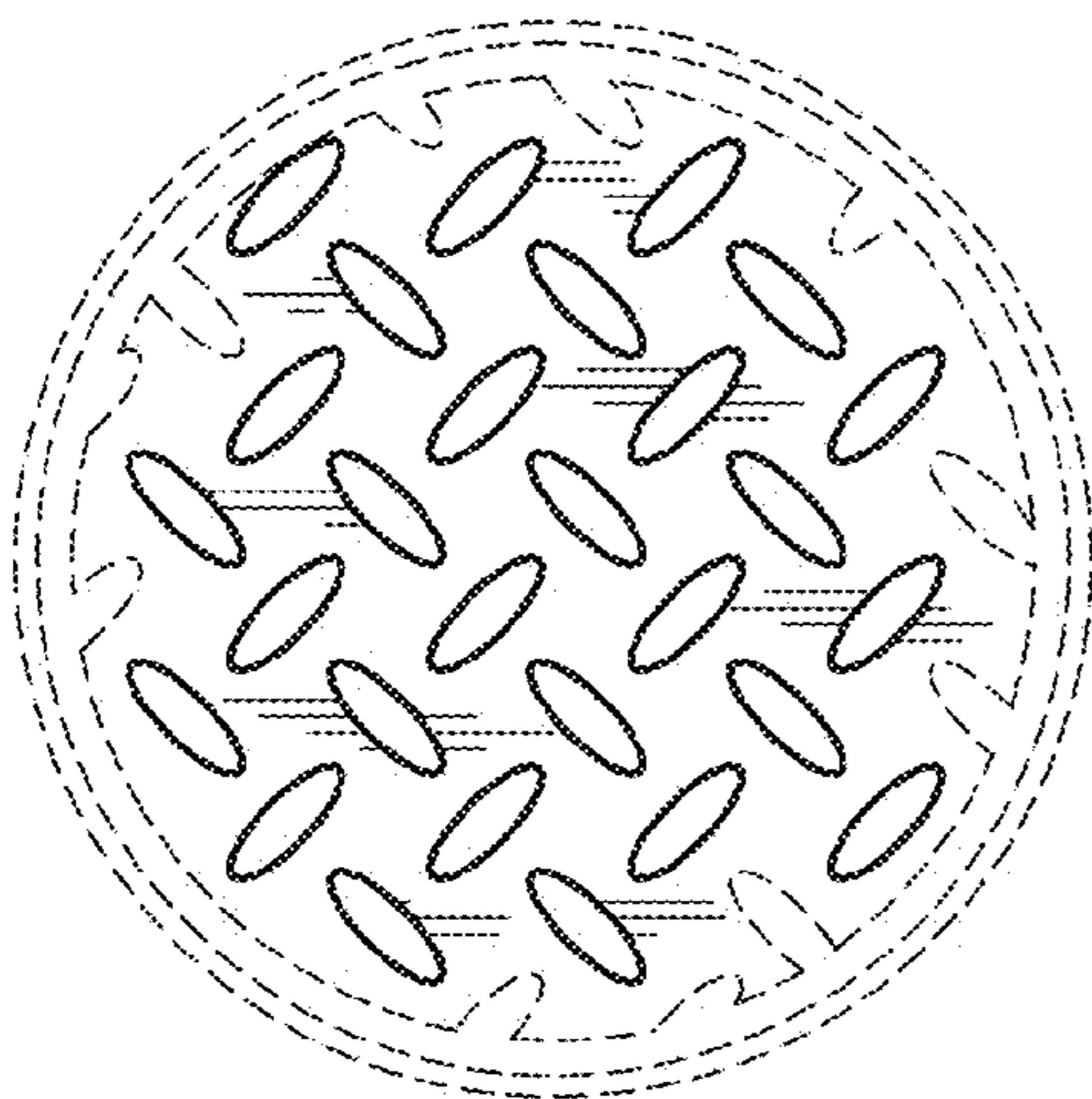


FIG. 31

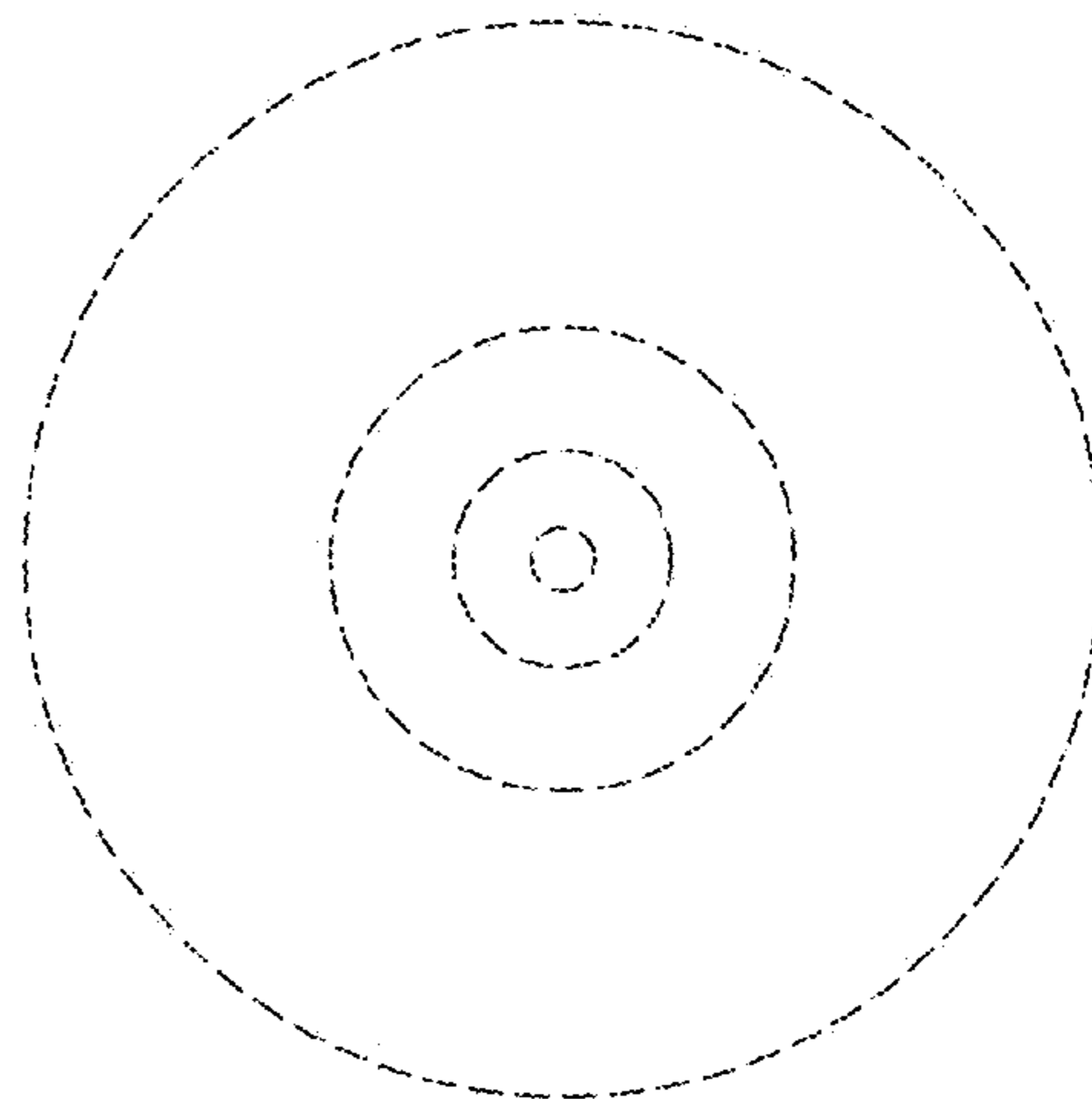


FIG. 32

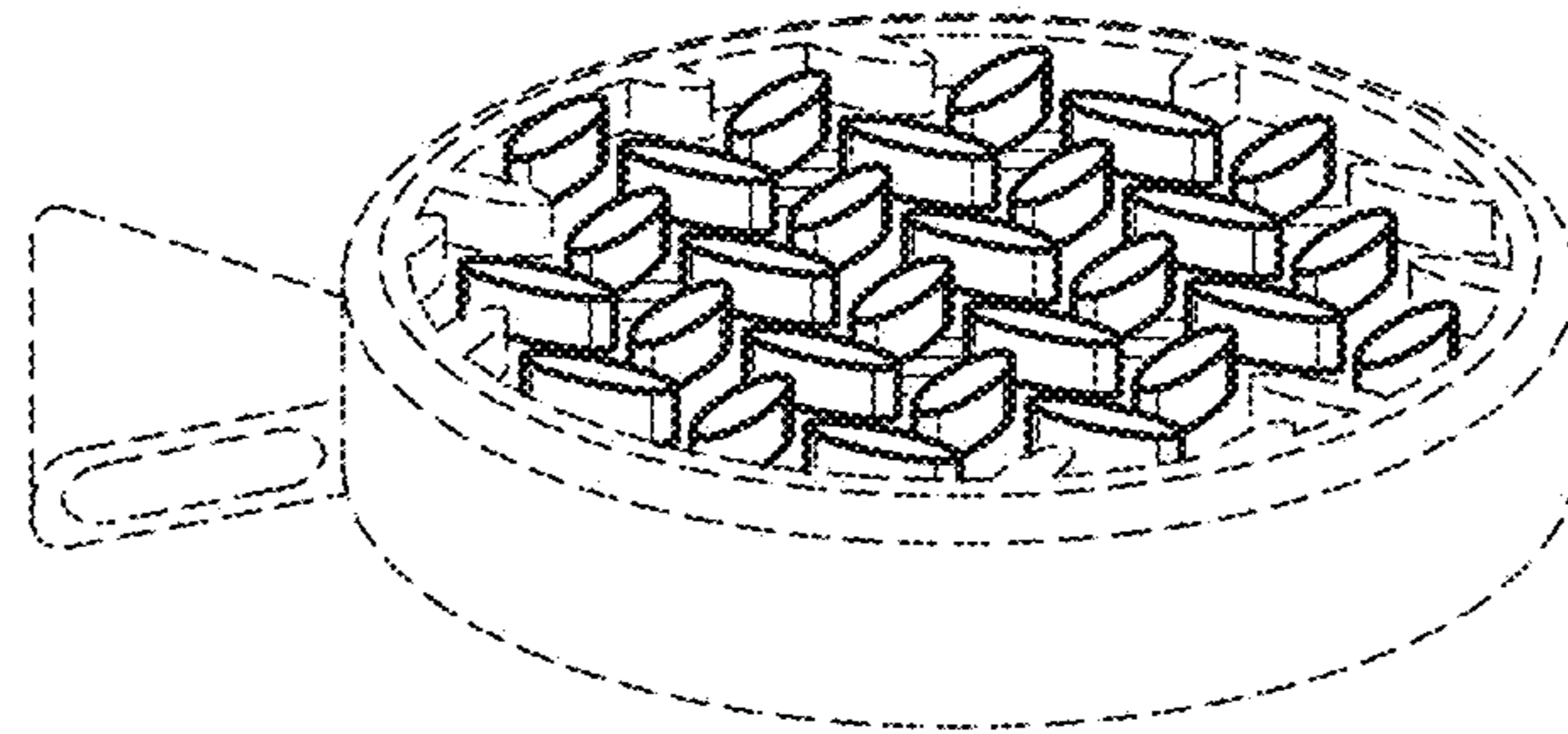


FIG. 33

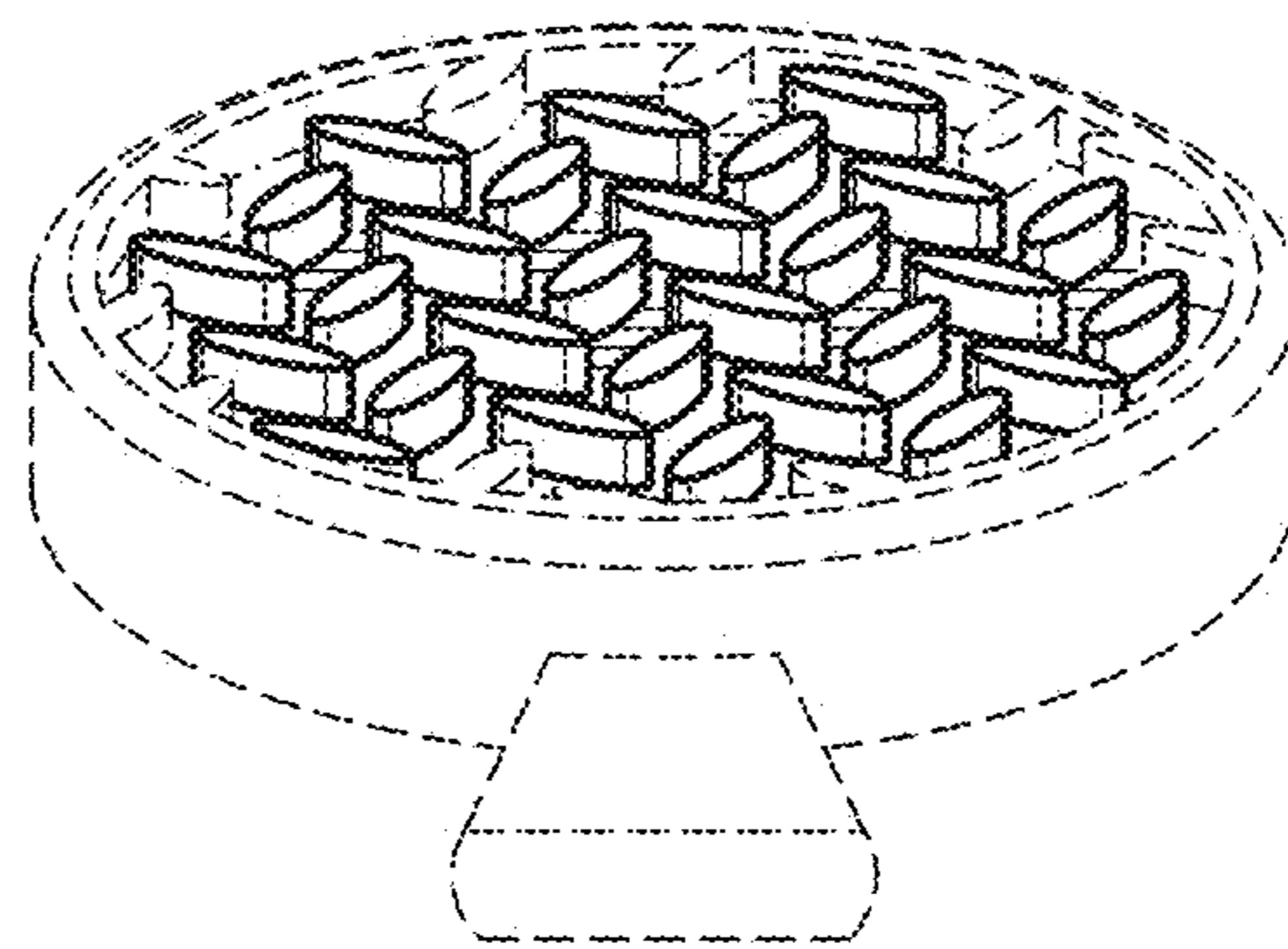


FIG. 34



FIG. 35

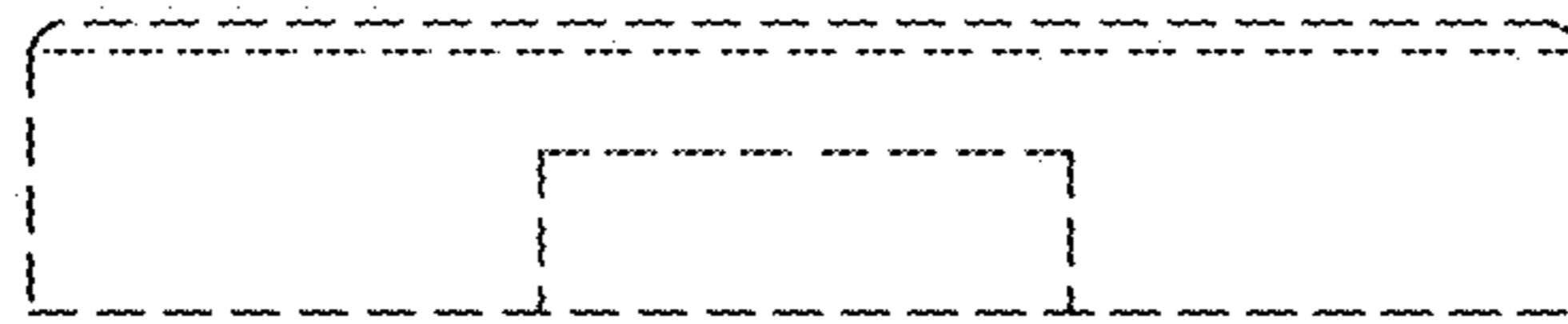


FIG. 36

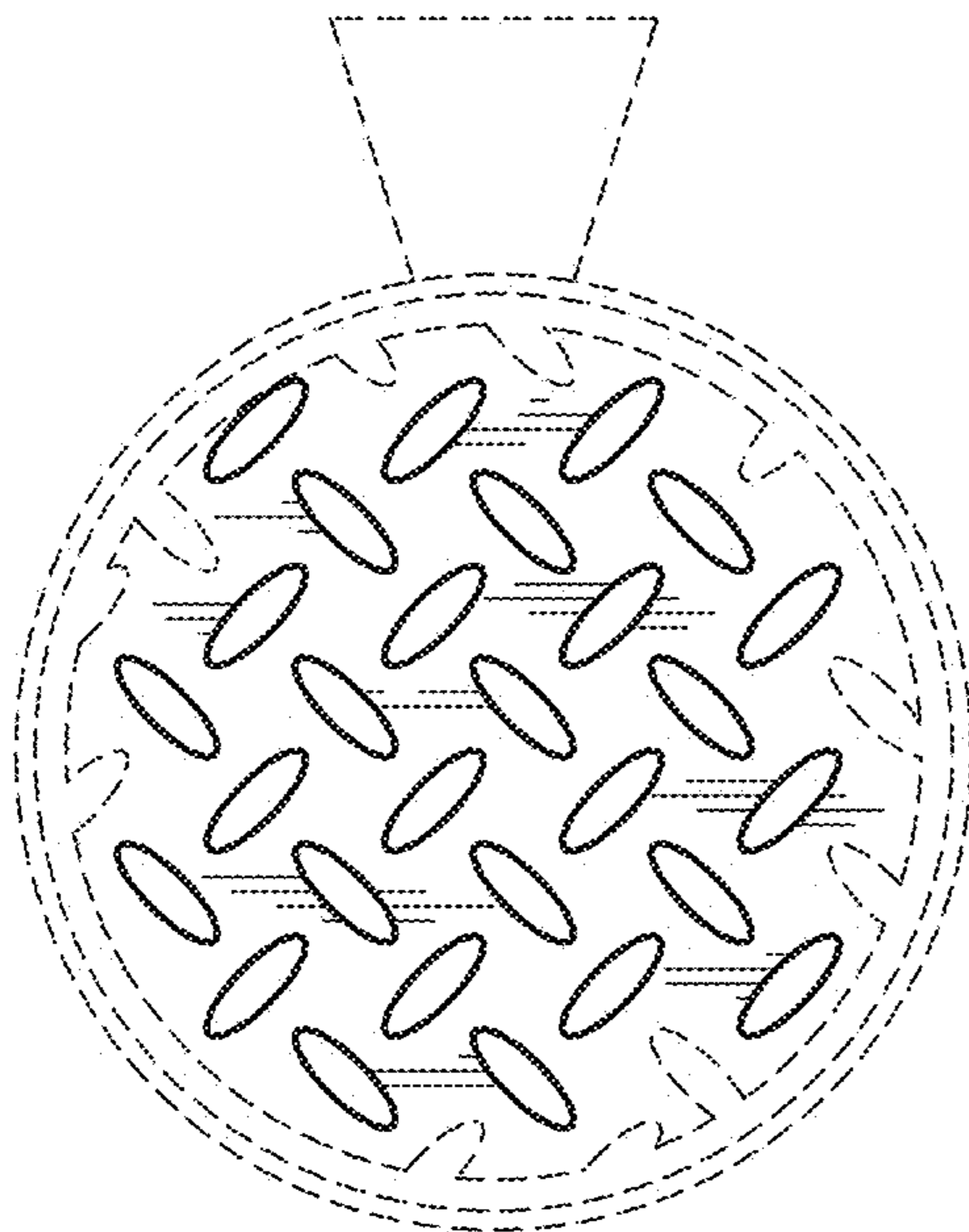


FIG. 37

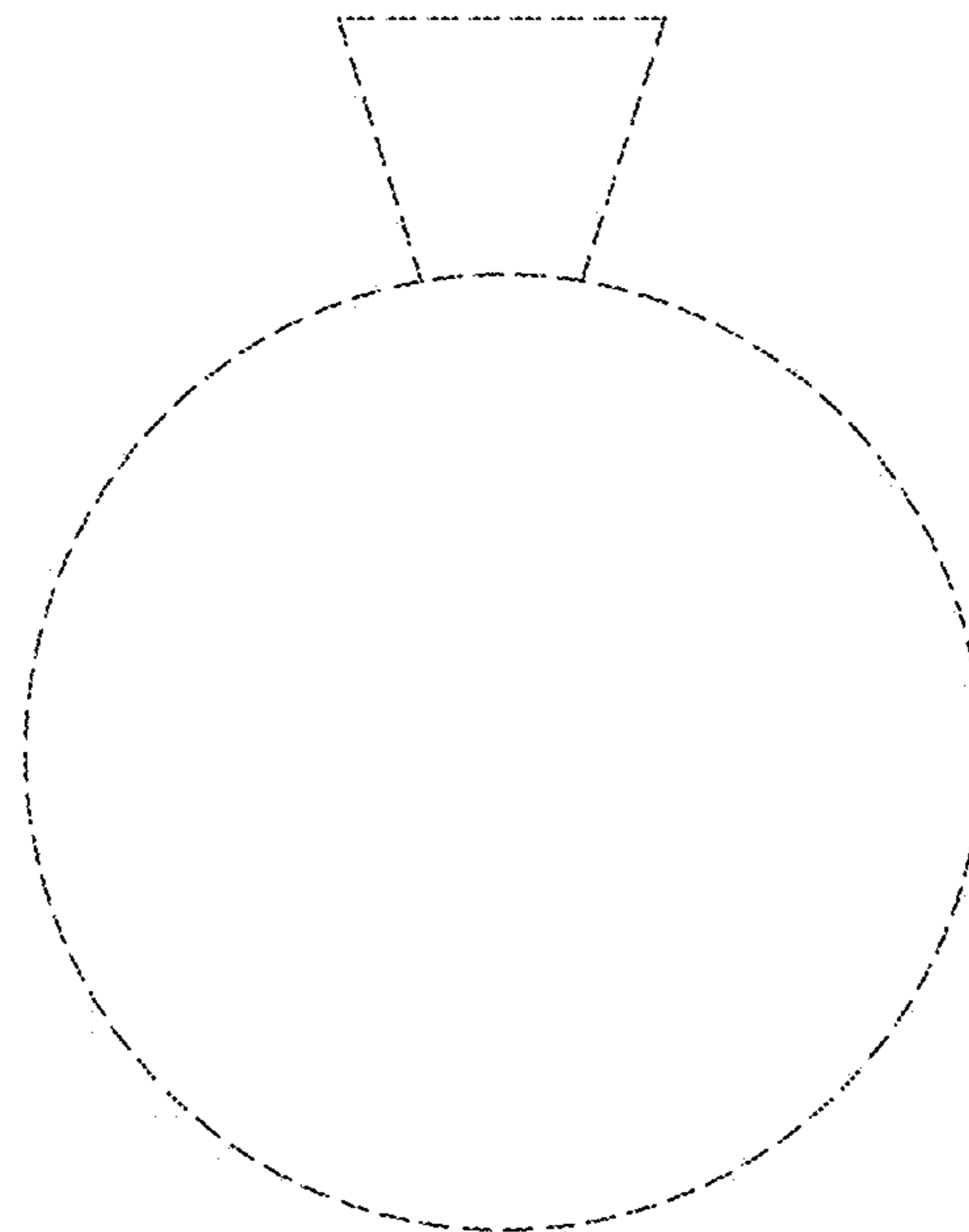


FIG. 38

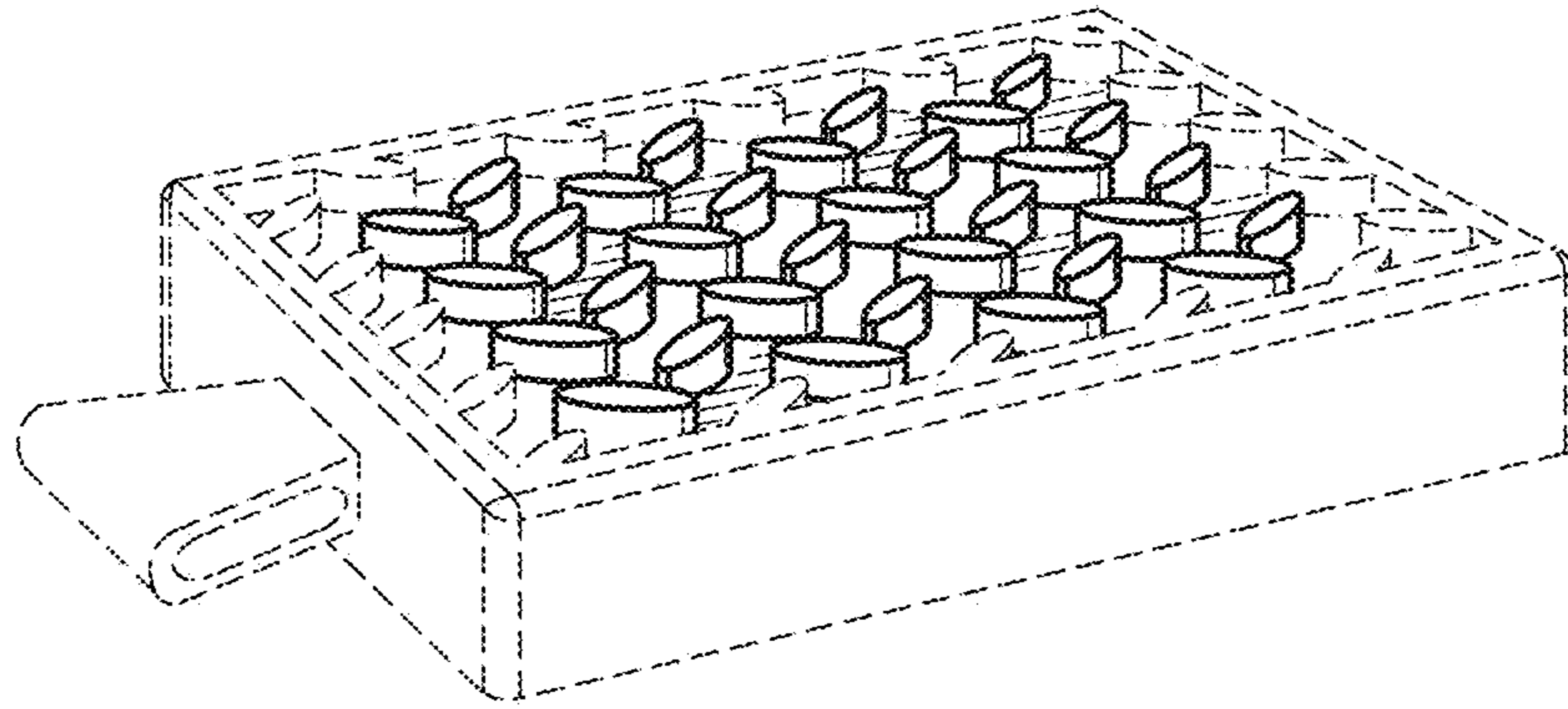


FIG. 39

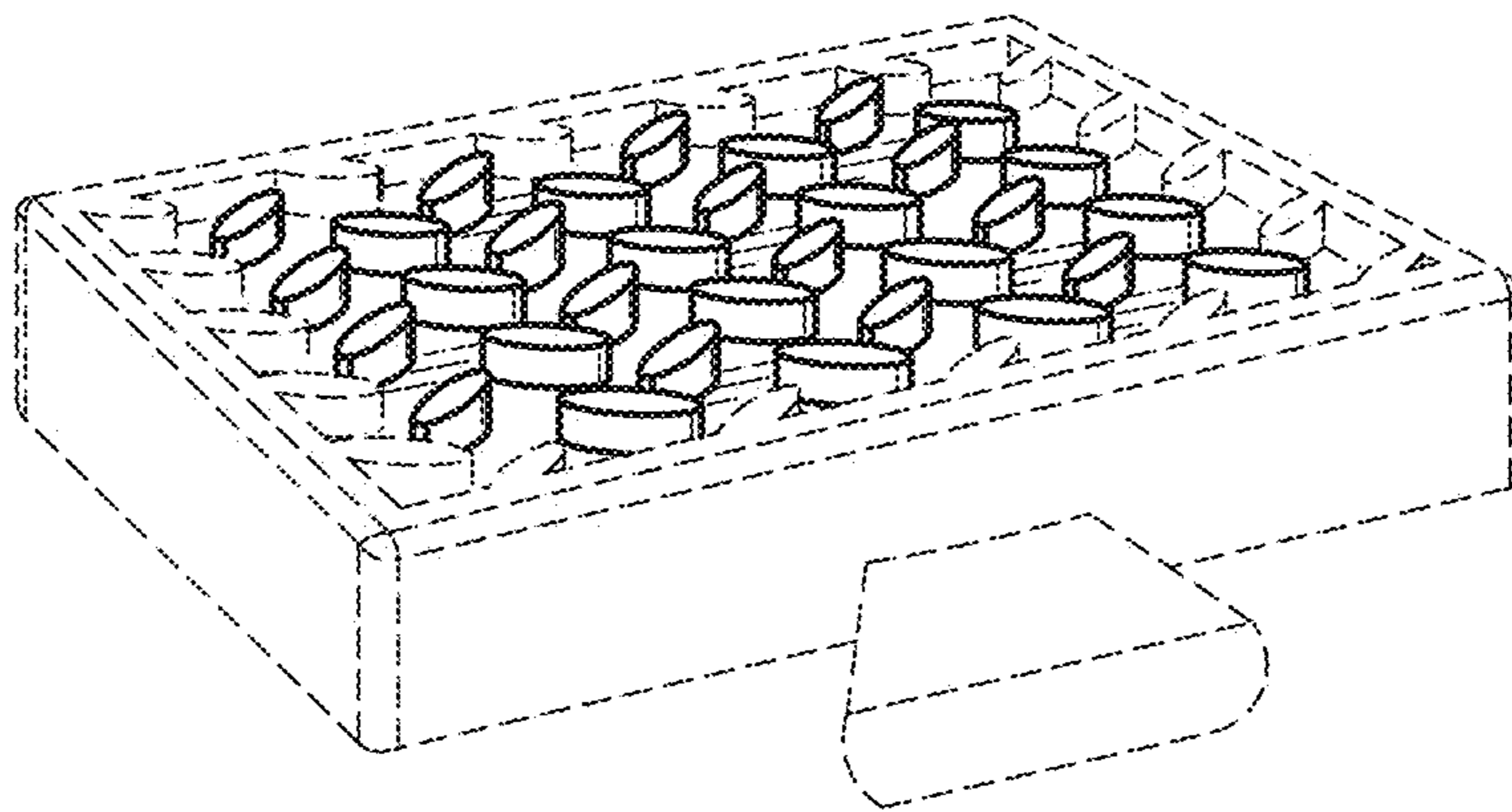


FIG. 40

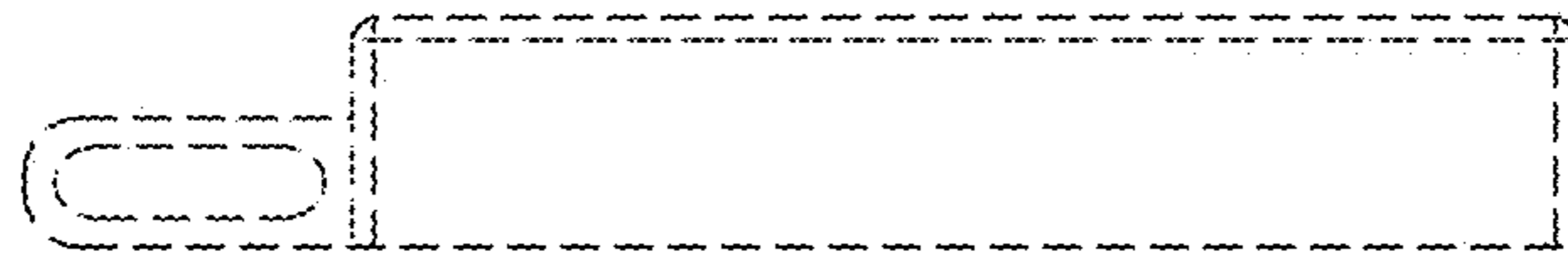


FIG. 41

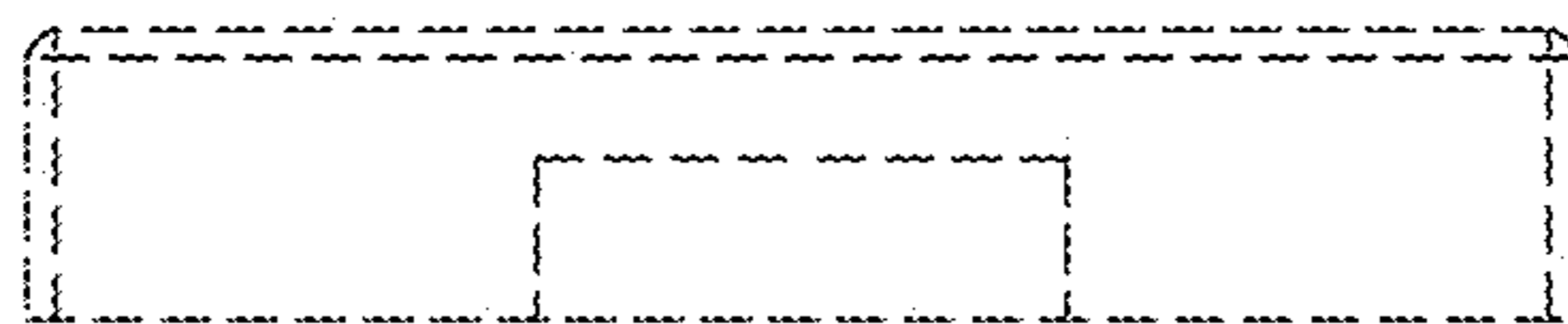


FIG. 42

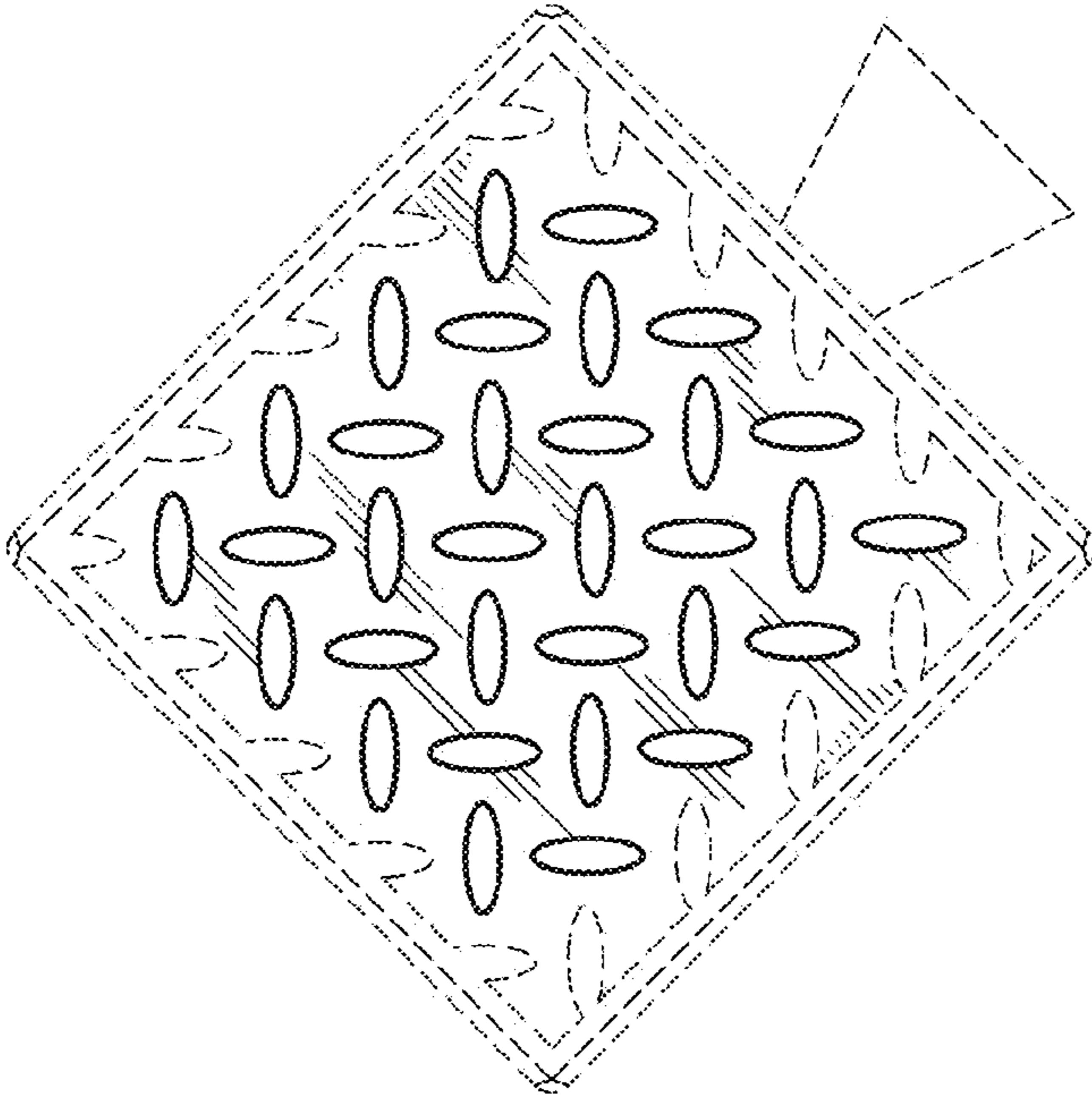


FIG. 43

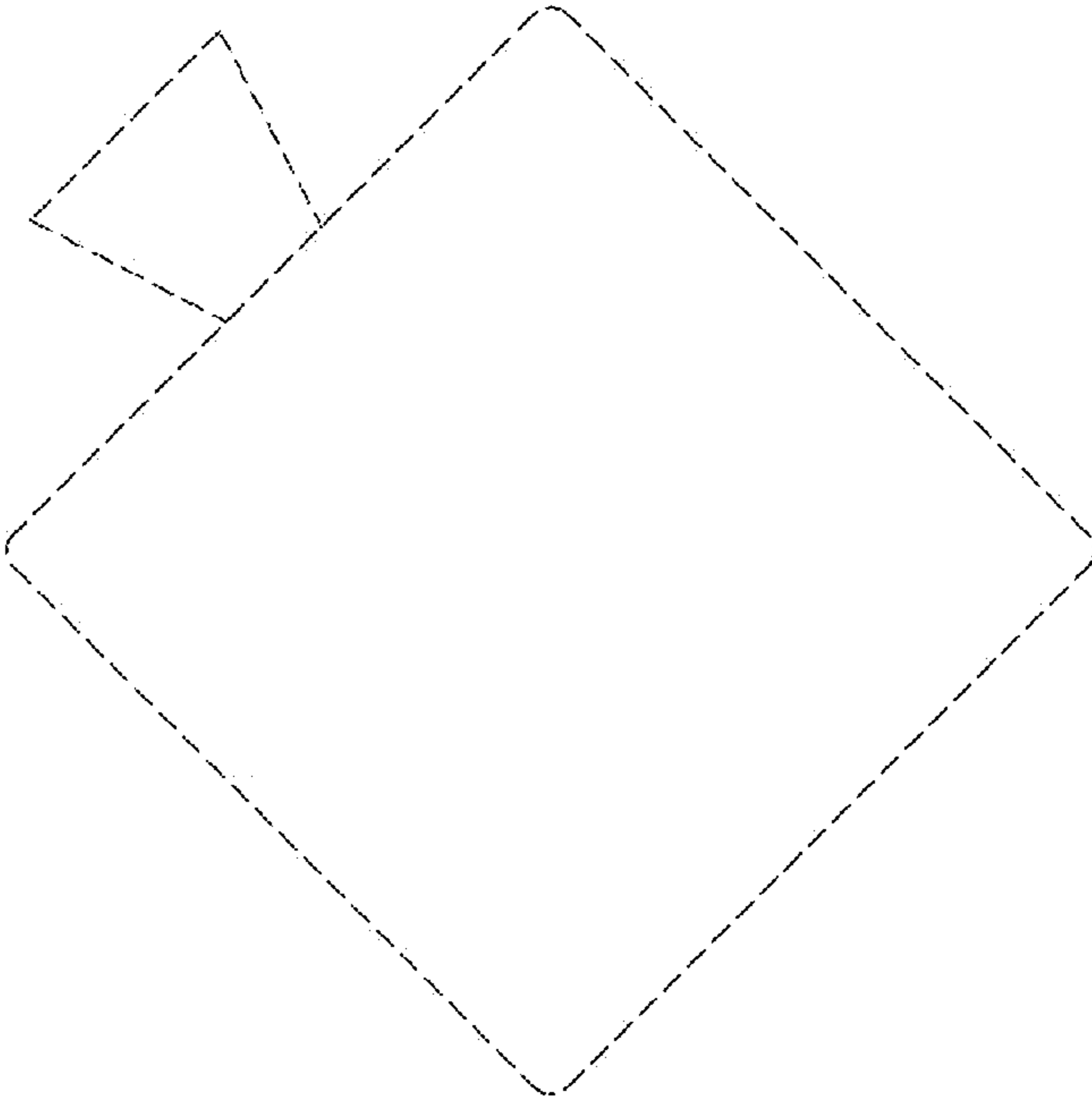


FIG. 44