



US00D767431S

(12) **United States Design Patent**
Kamilindi

(10) **Patent No.:** **US D767,431 S**

(45) **Date of Patent:** **** Sep. 27, 2016**

(54) **DIAL**

(71) Applicant: **HARRY WINSTON SA,**
Plan-les-Ouates (CH)

(72) Inventor: **Steve Kamilindi,** Genève (CH)

(73) Assignee: **HARRY WINSTON SA,**
Plan-les-Ouates (CH)

(**) Term: **15 Years**

(21) Appl. No.: **29/538,719**

(22) Filed: **Sep. 8, 2015**

(30) **Foreign Application Priority Data**

Mar. 6, 2015 (WO) DM/085782

(51) **LOC (10) Cl.** **10-07**

(52) **U.S. Cl.**
USPC **D10/125**

(58) **Field of Classification Search**
USPC D10/30–39, 122–132, 1–29
CPC G04B 19/00; G04B 19/06; G04B 19/065;
G04B 19/08; G04B 19/10; G04B 19/106;
G04B 19/26; G04B 19/262; G04B 19/268
See application file for complete search history.

(56) **References Cited**

U.S. PATENT DOCUMENTS

D266,909 S * 11/1982 Schwab D10/39
D607,757 S * 1/2010 Cattin D10/39

D660,184 S * 5/2012 Calce D10/32
D661,602 S * 6/2012 Calce D10/32
D738,747 S * 9/2015 Calce D10/125
D743,814 S * 11/2015 Miodrag D10/125

OTHER PUBLICATIONS

Harry Winston Avenue Dual Time Automatic, as posted at HarryWinston [online], posting date not available [site visited Jun. 17, 2016]. Available from the Internet, <URL: <http://www.harrywinston.com/en/avenue-dual-time-automatic-0>>.*

* cited by examiner

Primary Examiner — Catheri Oliver-Garcia

Assistant Examiner — Rebekah A Caruso

(74) *Attorney, Agent, or Firm* — Donald J. Ranft; Collen IP

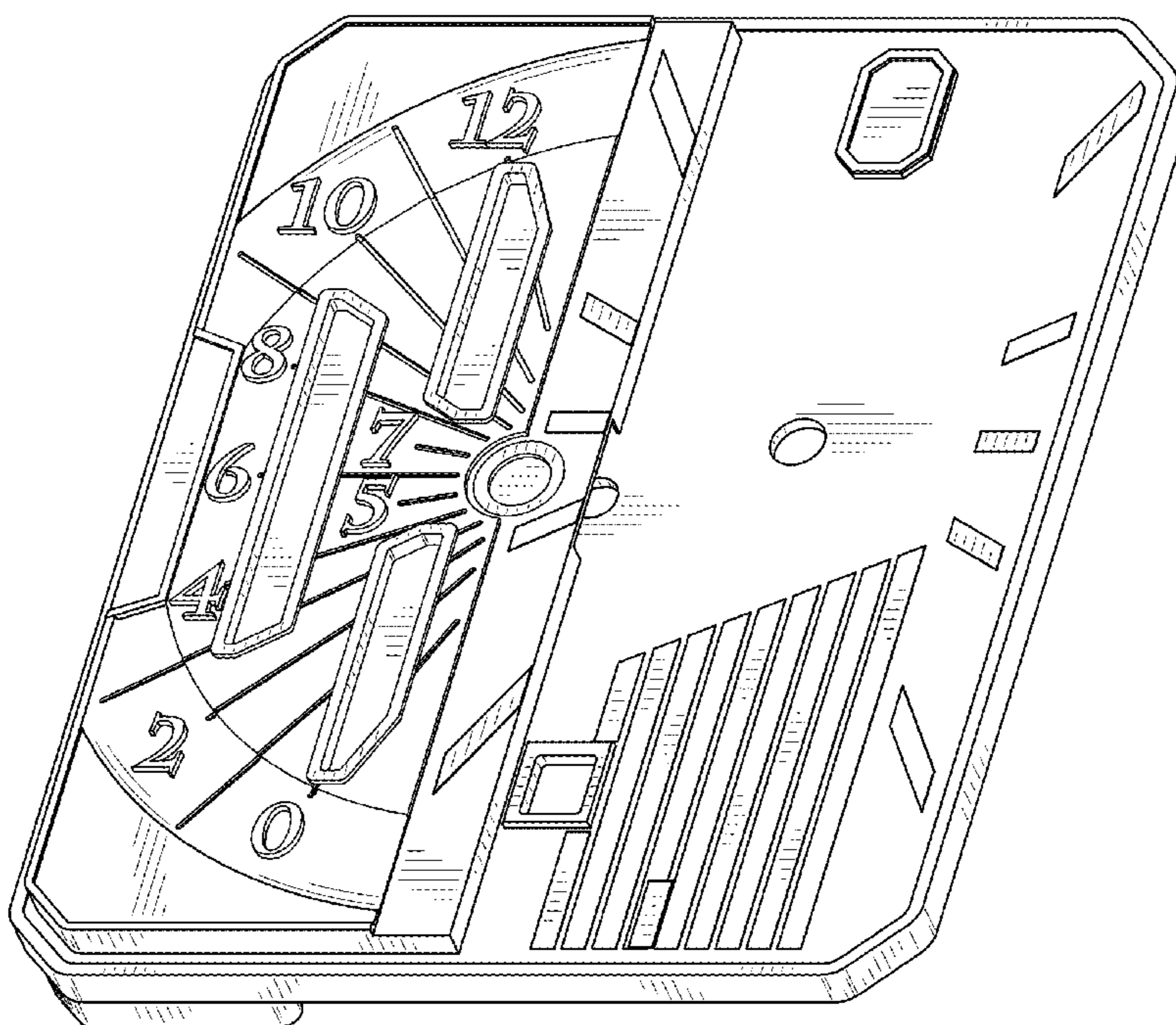
(57) **CLAIM**

The ornamental design for a dial, as shown and described.

DESCRIPTION

FIG. 1 is a front right perspective view of a dial showing my new design;
FIG. 2 is a front view thereof;
FIG. 3 is a rear view thereof;
FIG. 4 is a left side view thereof;
FIG. 5 is a right side view thereof;
FIG. 6 is a top view thereof; and,
FIG. 7 is a bottom view thereof.
The portions of the dial shown in broken lines form no part of the claimed design.

1 Claim, 4 Drawing Sheets



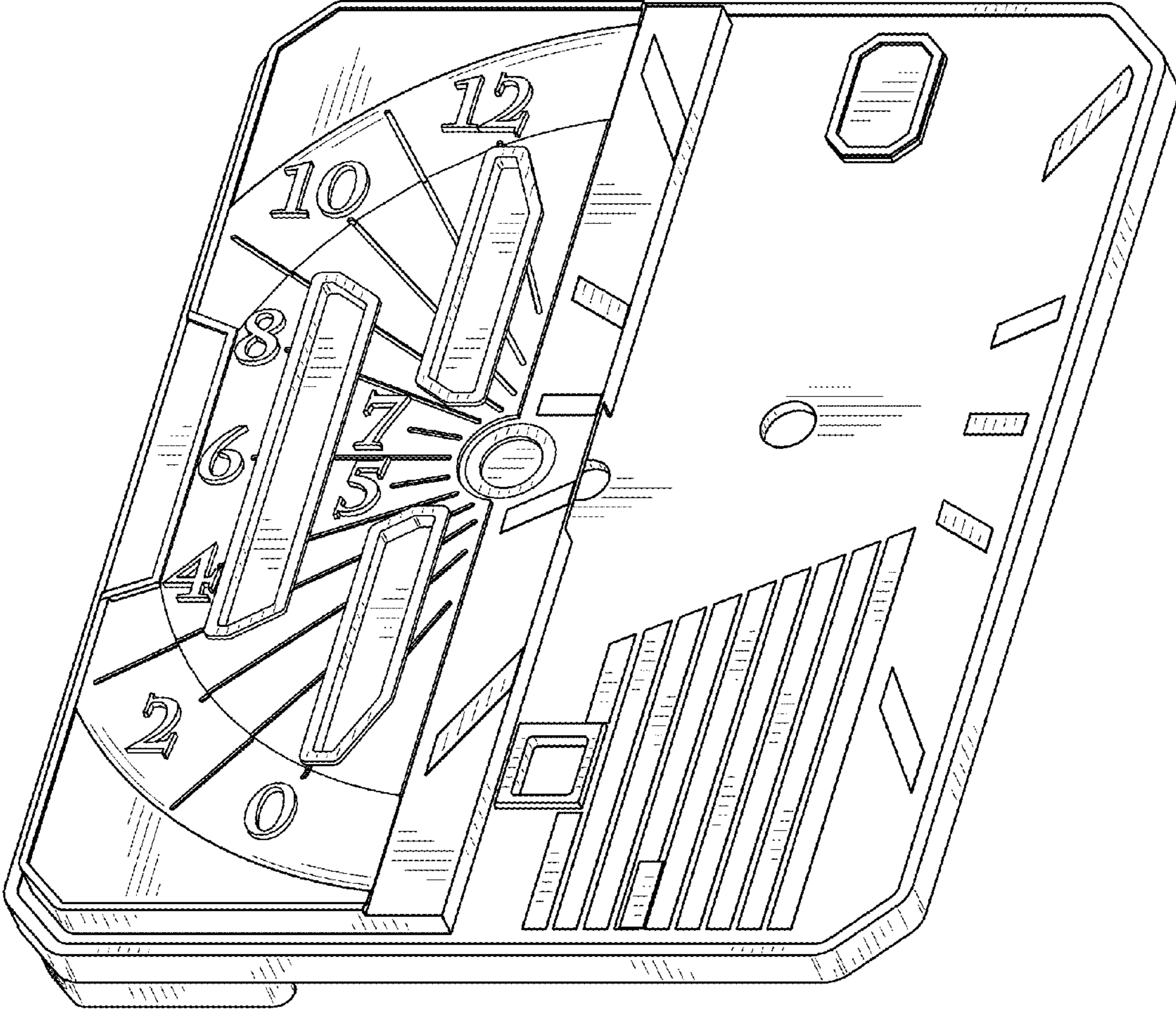


FIG. 1

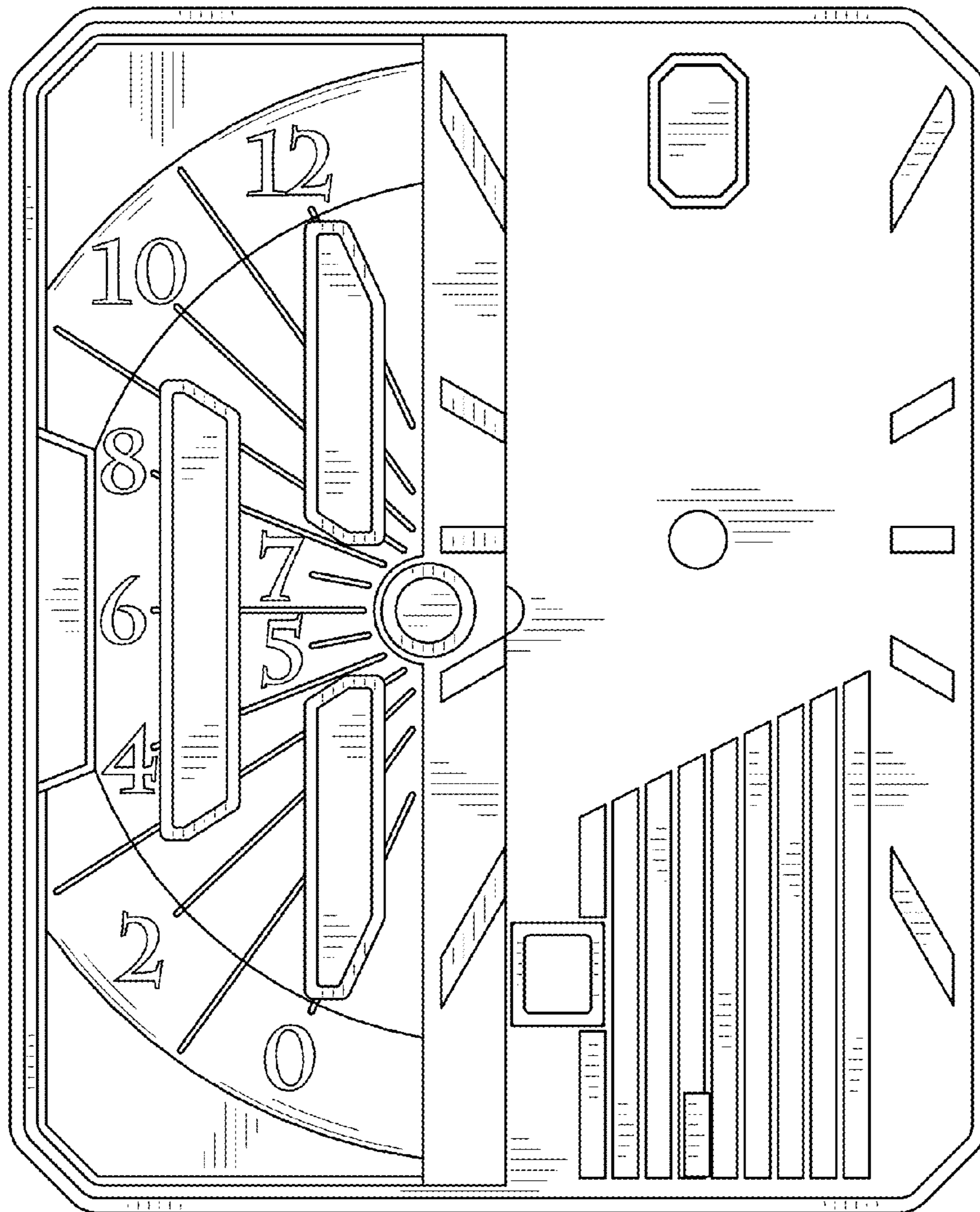


FIG. 2

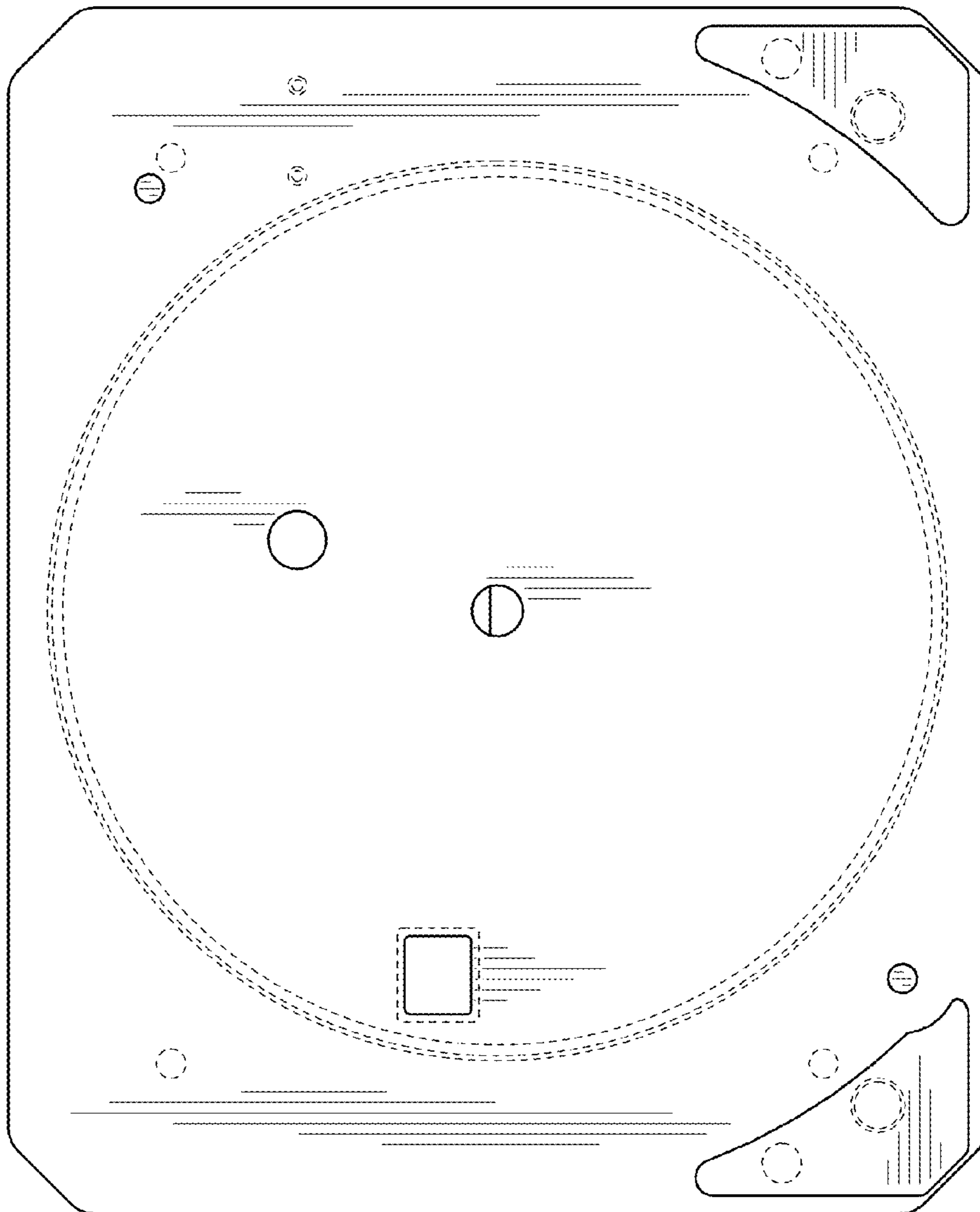


FIG. 3

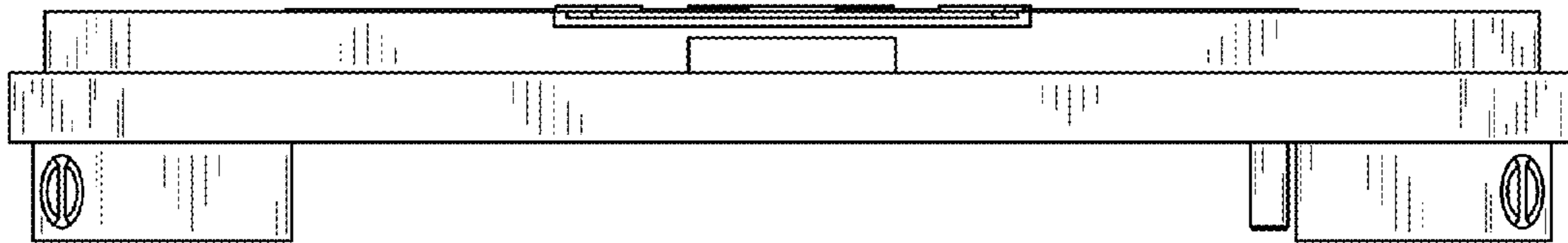


FIG. 4

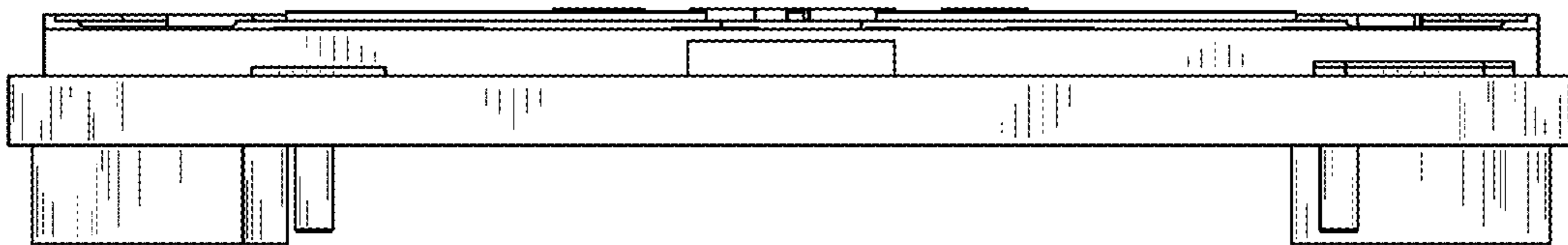


FIG. 5

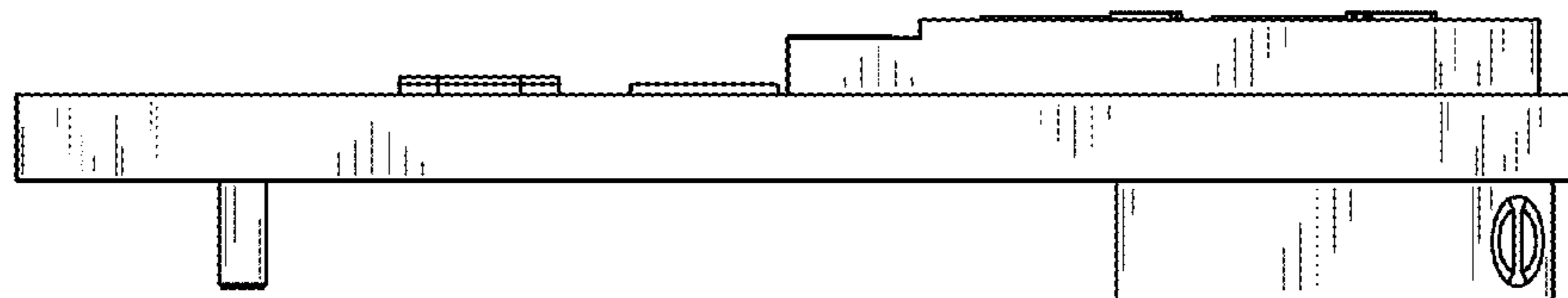


FIG. 6

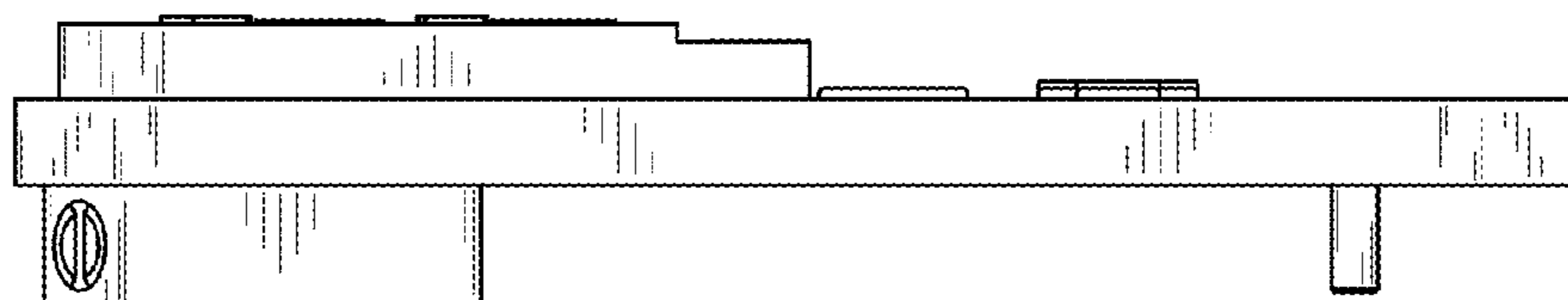


FIG. 7