

US00D767430S

(12) **United States Design Patent**  
**Garcia**

(10) **Patent No.:** **US D767,430 S**

(45) **Date of Patent:** **\*\* Sep. 27, 2016**

(54) **GLOVE SHAPED STRIKER**

(71) Applicant: **Arturo C. Garcia**, Fontana, CA (US)

(72) Inventor: **Arturo C. Garcia**, Fontana, CA (US)

(\*\*) Term: **14 Years**

(21) Appl. No.: **29/515,978**

(22) Filed: **Jan. 28, 2015**

(51) **LOC (10) Cl.** ..... **10-05**

(52) **U.S. Cl.**  
USPC ..... **D10/120**

(58) **Field of Classification Search**  
USPC ..... D10/118.1, 120; D29/116.1  
CPC ..... A63B 71/145  
See application file for complete search history.

(56) **References Cited**

**U.S. PATENT DOCUMENTS**

|           |     |         |          |       |             |      |
|-----------|-----|---------|----------|-------|-------------|------|
| 1,401,722 | A * | 12/1921 | Oldham   | ..... | A63B 71/145 | 2/18 |
| 1,598,718 | A * | 9/1926  | Healy    | ..... | A63B 71/145 | 2/18 |
| D249,400  | S   | 9/1978  | Pearson  |       |             |      |
| D256,628  | S   | 9/1980  | Fireman  |       |             |      |
| 4,295,228 | A * | 10/1981 | Dragomir | ..... | A63B 71/145 | 2/18 |
| D273,343  | S   | 4/1984  | Albert   |       |             |      |
| D274,015  | S   | 5/1984  | Golomb   |       |             |      |
| D277,238  | S   | 1/1985  | Cass     |       |             |      |

|           |      |         |          |       |             |         |
|-----------|------|---------|----------|-------|-------------|---------|
| D281,373  | S *  | 11/1985 | Golomb   | ..... | D29/116.1   |         |
| 4,603,439 | A *  | 8/1986  | Golomb   | ..... | A63B 71/145 | 2/18    |
| 6,202,213 | B1 * | 3/2001  | Georgick | ..... | A63B 71/145 | 2/161.1 |
| D732,747  | S *  | 6/2015  | Phillips | ..... | D29/116.1   |         |

\* cited by examiner

*Primary Examiner* — George D Kirschbaum

(74) *Attorney, Agent, or Firm* — Kirk A. Buhler; Buhler & Associates

(57) **CLAIM**

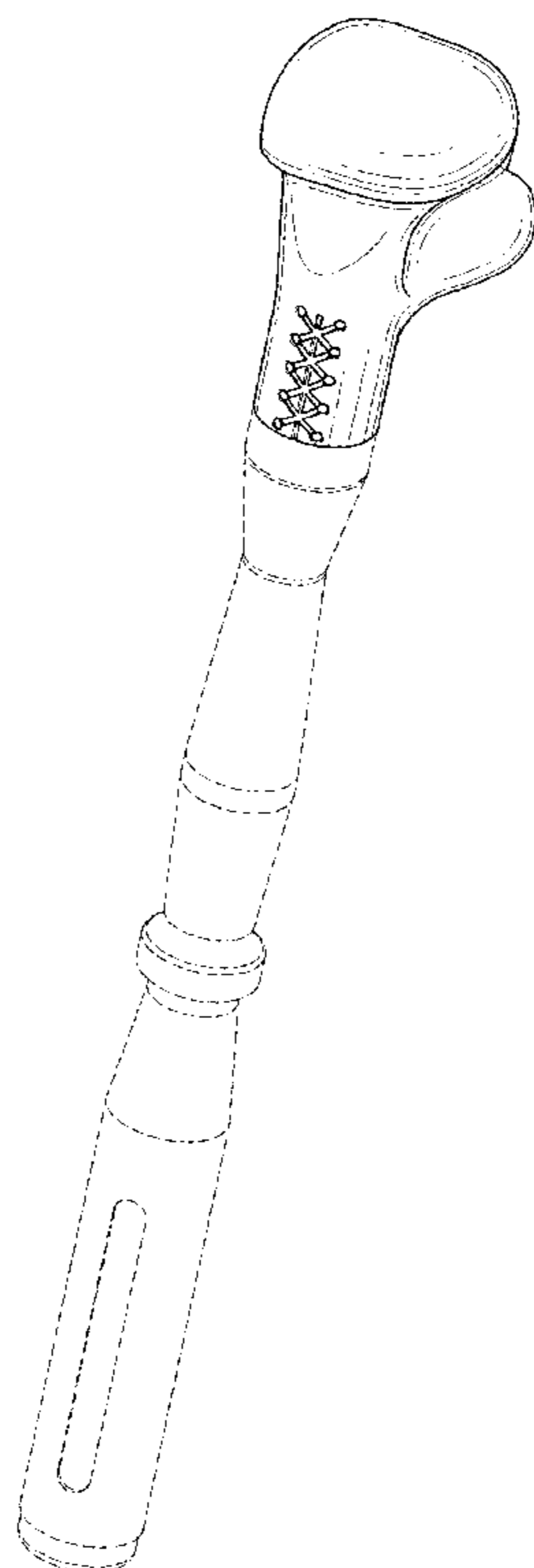
The ornamental design for a glove shaped striker, as shown and described.

**DESCRIPTION**

FIG. 1 is a top perspective view for a glove shaped striker showing my new design;  
FIG. 2 is a top perspective view thereof;  
FIG. 3 is a front side view thereof;  
FIG. 4 is a rear side view thereof;  
FIG. 5 is a right side view thereof;  
FIG. 6 is a left side view thereof;  
FIG. 7 is a top side view thereof;  
FIG. 8 is a bottom side view thereof; and,  
FIG. 9 is a cross-sectional view cut through section 9-9 from FIG. 8 side view thereof.

The broken lines in FIG. 1 depict environmental subject matter of a mounting shaft for the invention and forms no part of the claimed design.

**1 Claim, 4 Drawing Sheets**



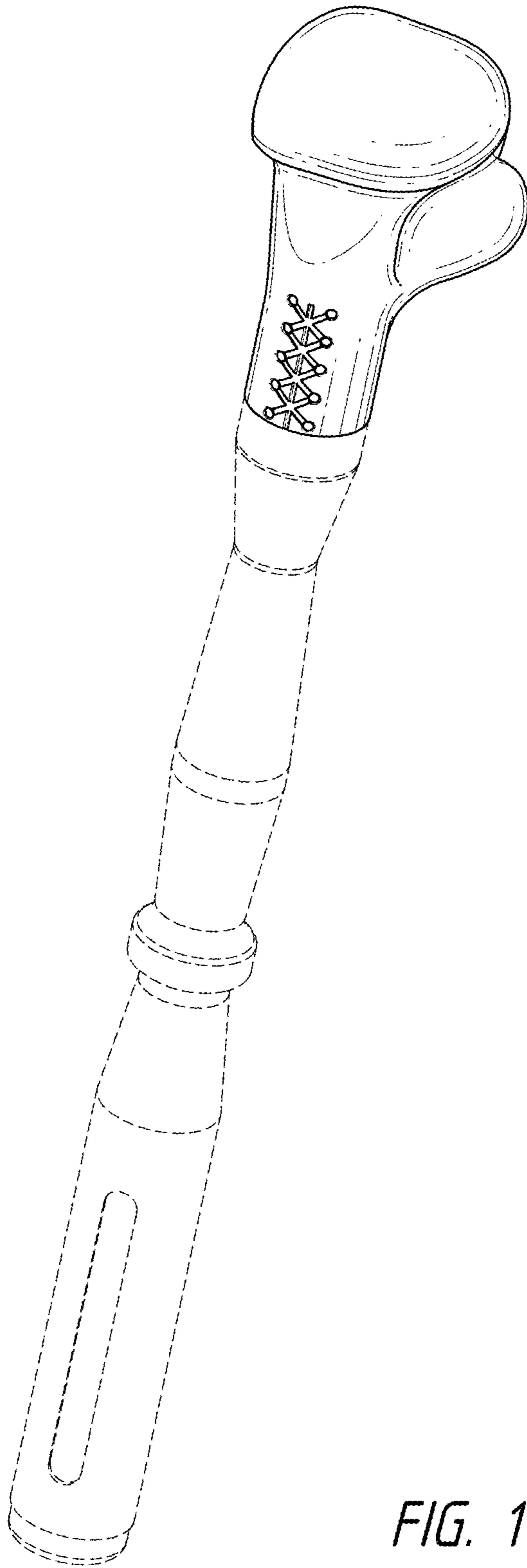
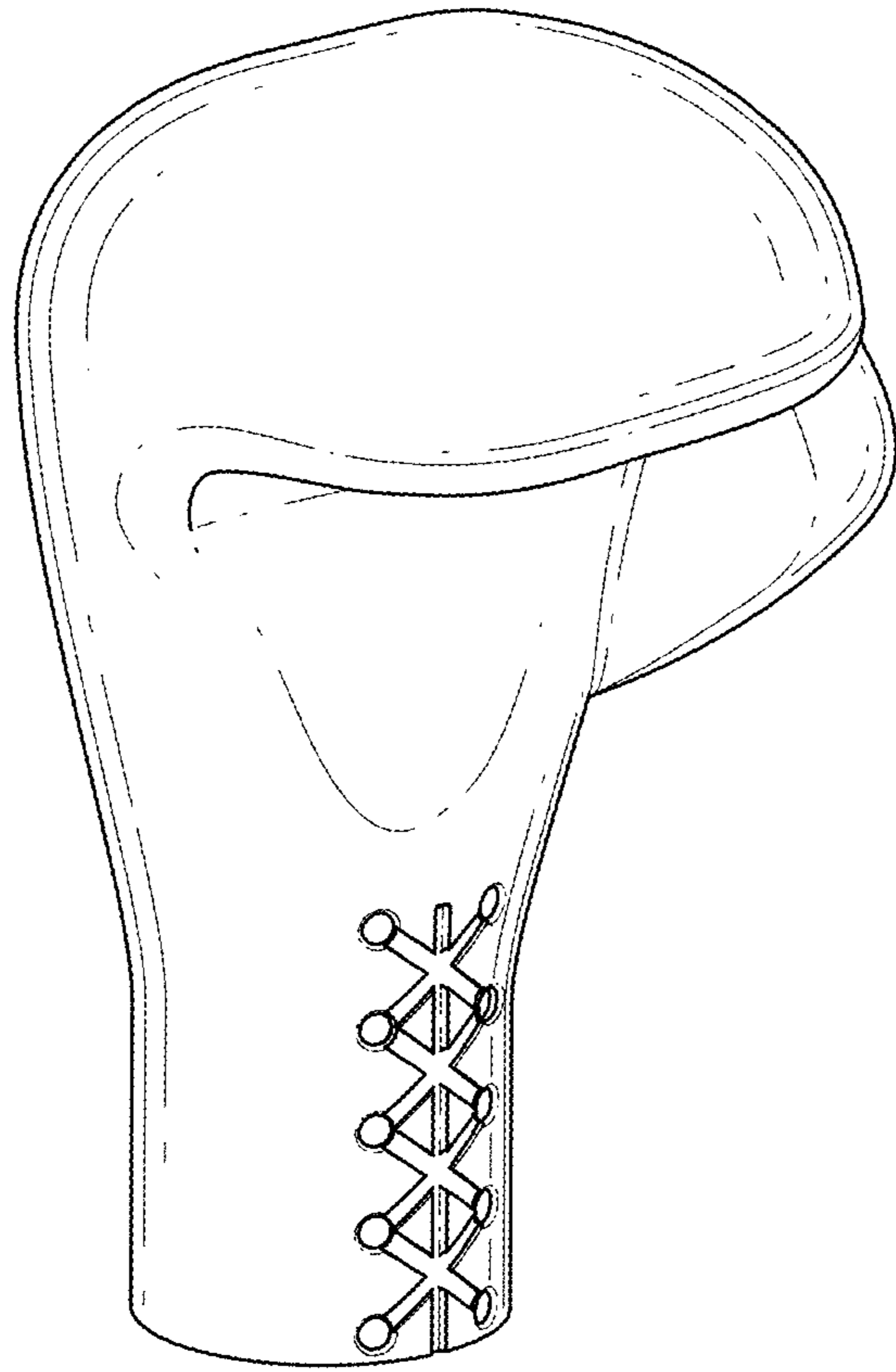


FIG. 1



*FIG. 2*

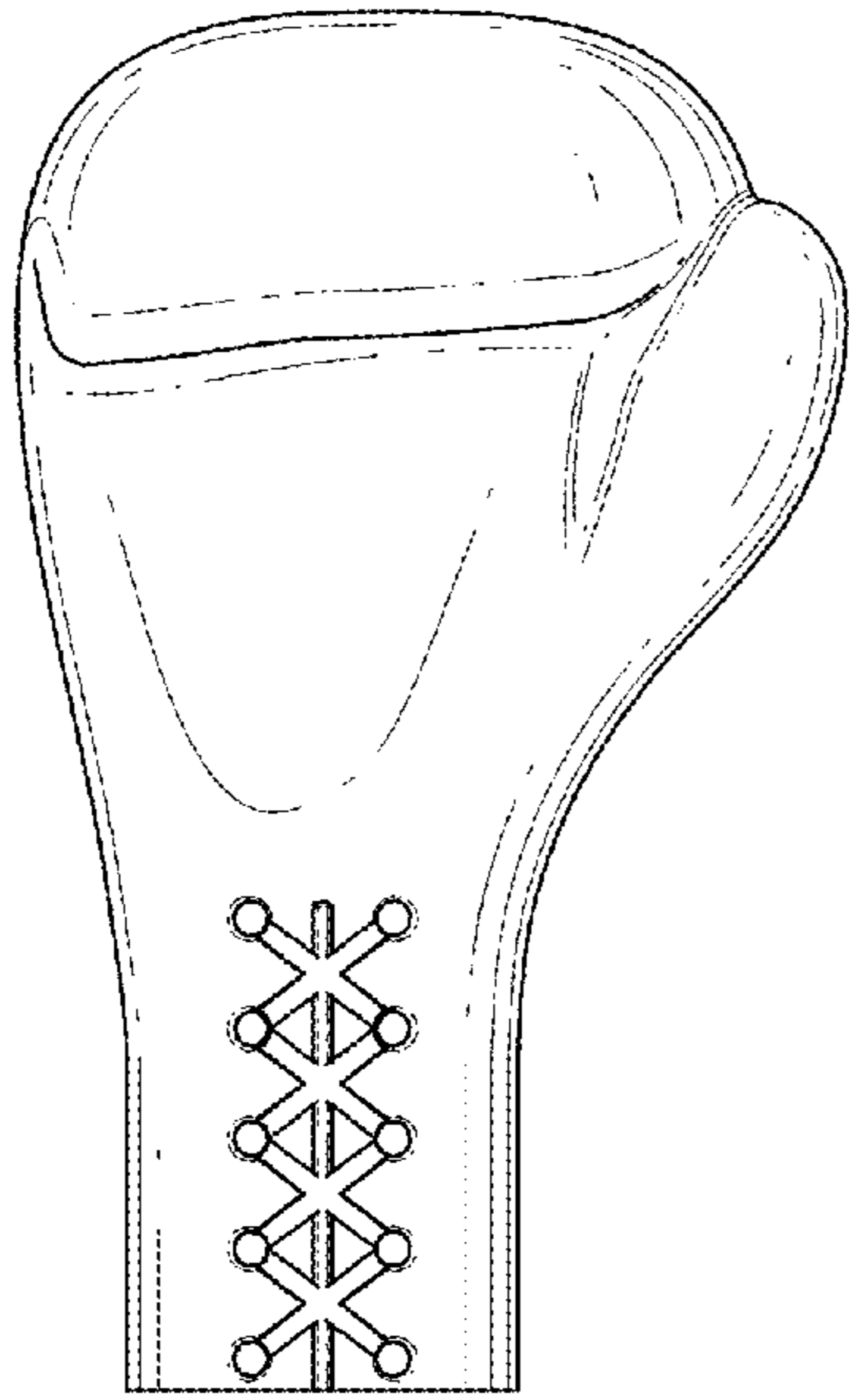


FIG. 3

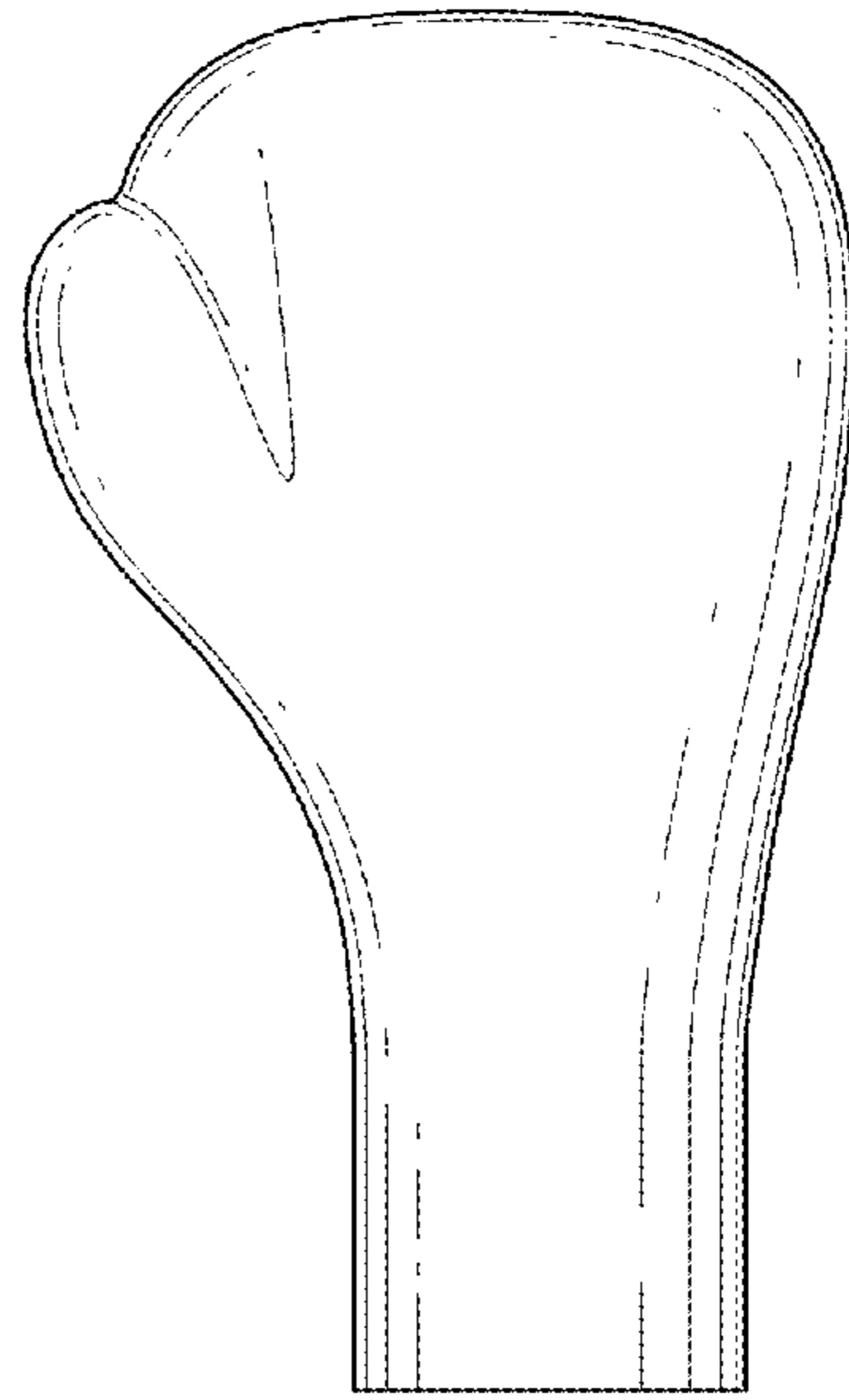


FIG. 4

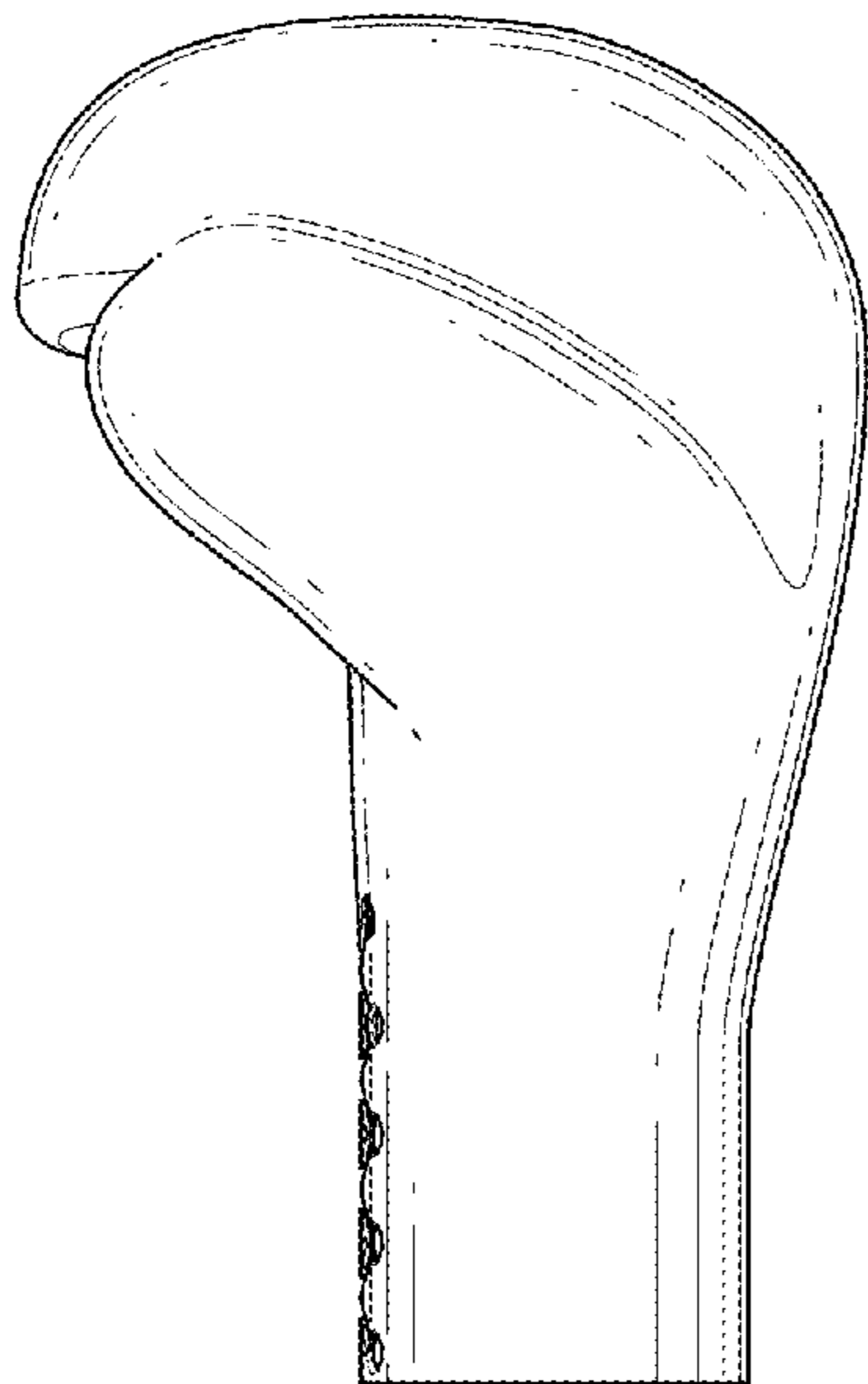


FIG. 5

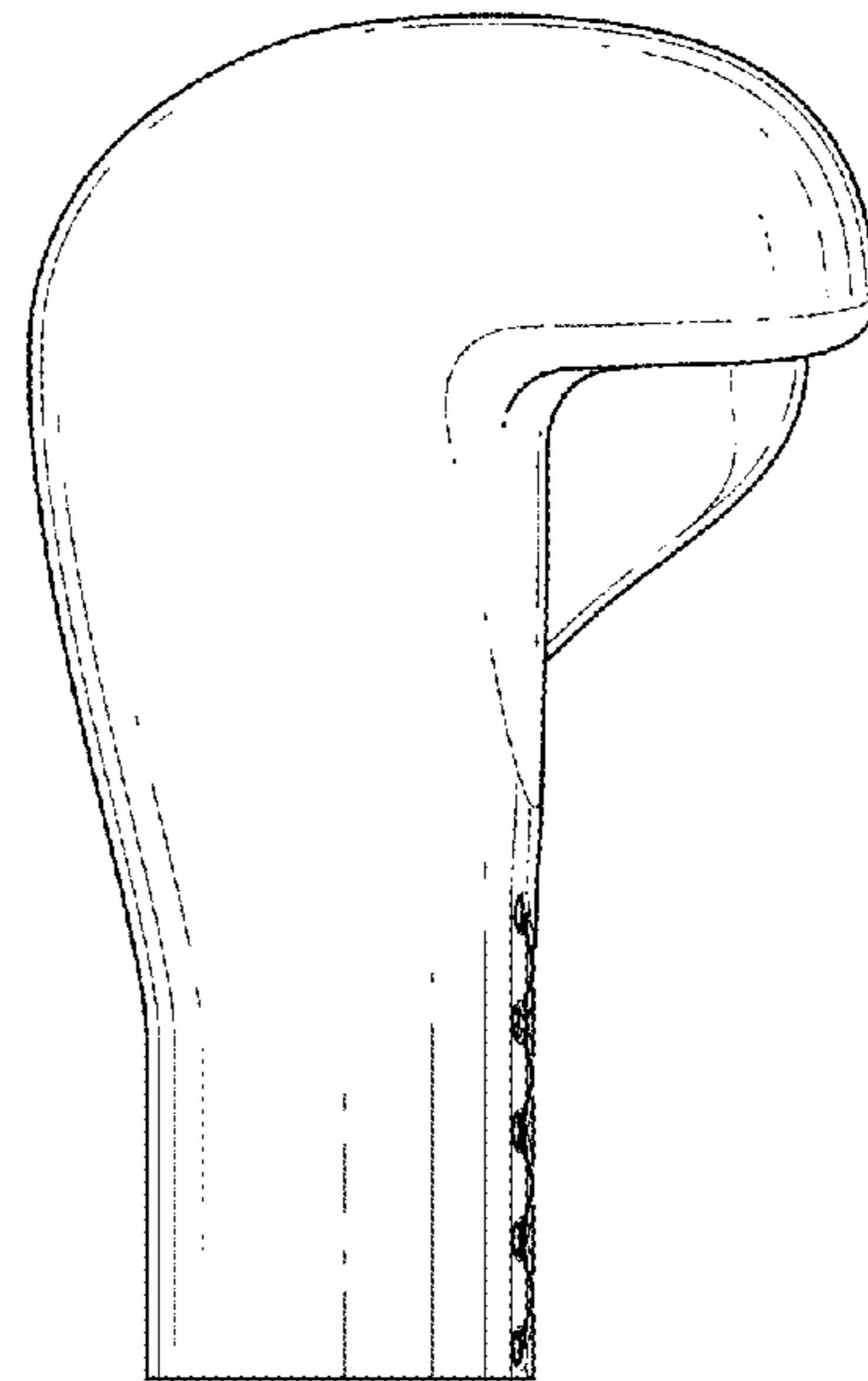


FIG. 6

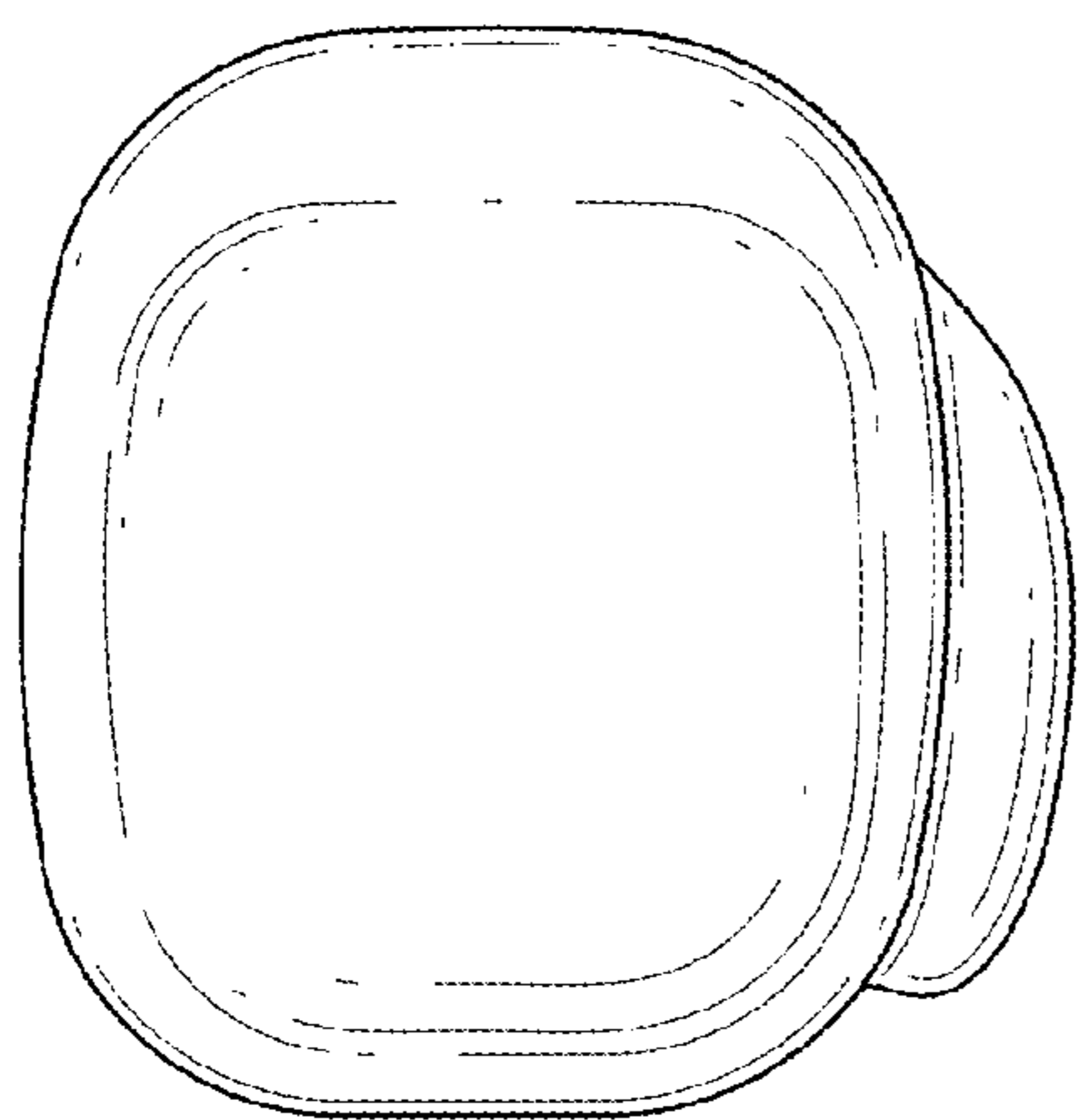


FIG. 7

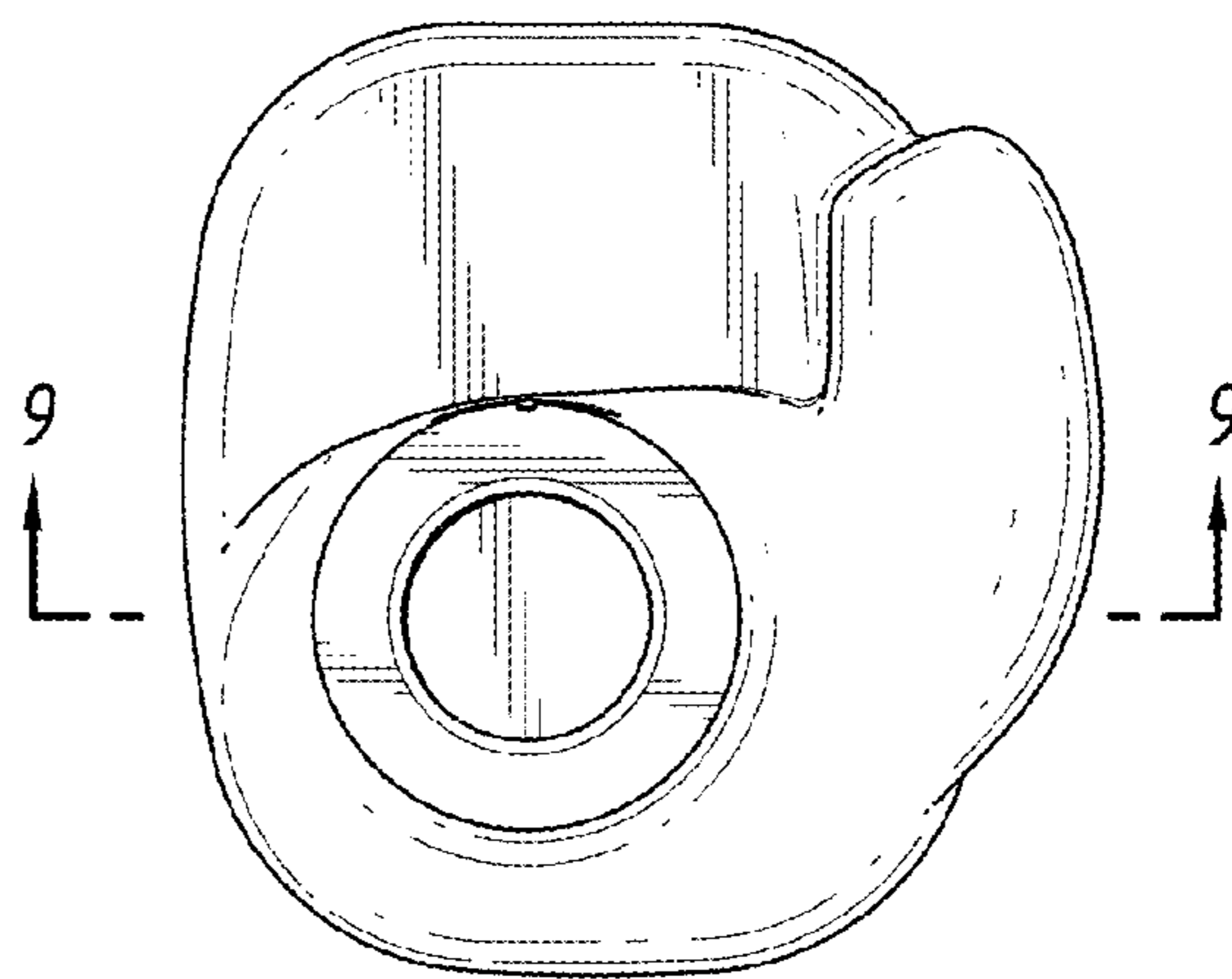


FIG. 8

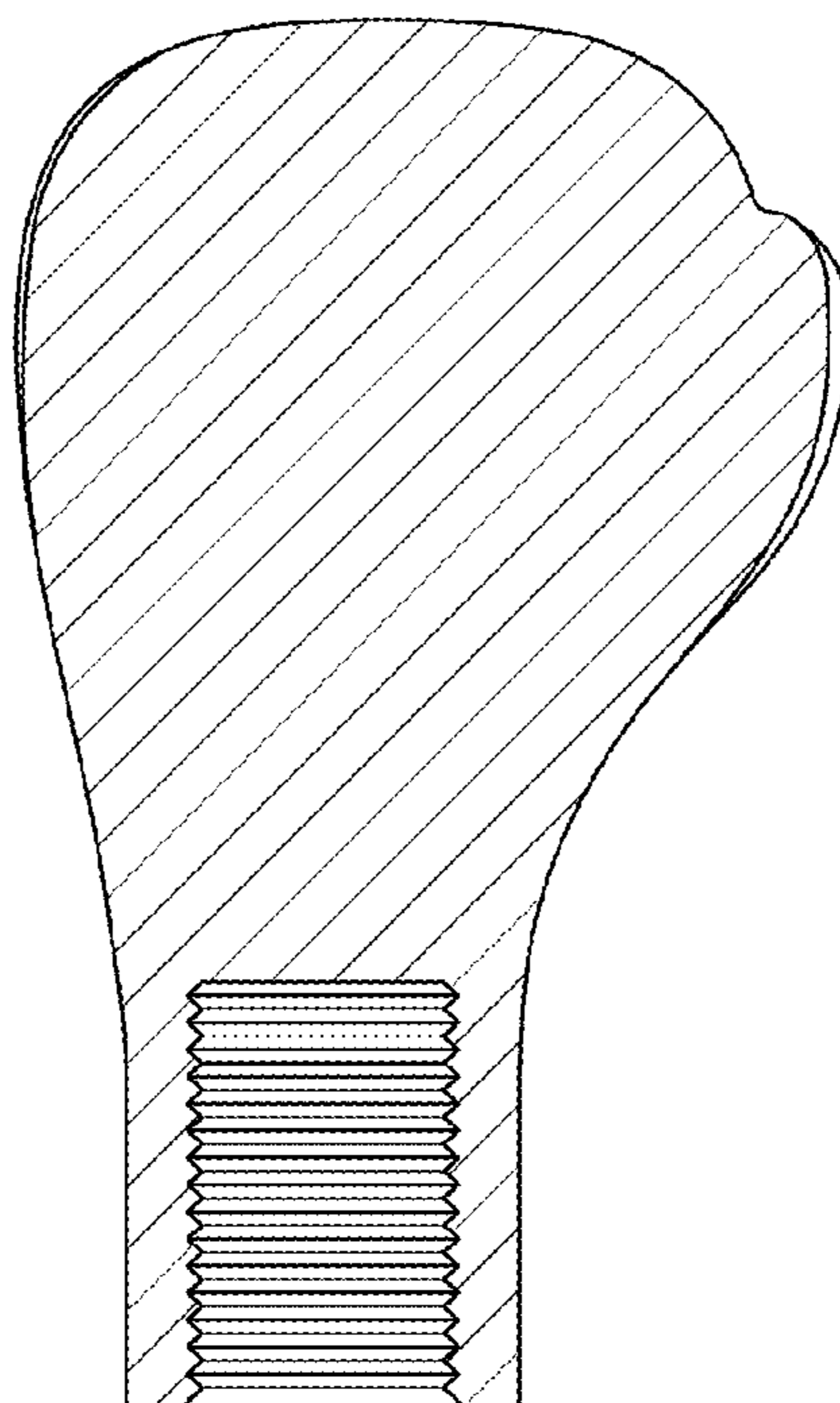


FIG. 9