



US00D767426S

(12) **United States Design Patent**  
**Zhu et al.**

(10) **Patent No.:** **US D767,426 S**

(45) **Date of Patent:** **\*\* Sep. 27, 2016**

(54) **ALARM**

(71) Applicant: **HangZhou Hikvision Digital Technology Company, Ltd**, Binjiang District, Hangzhou (CN)

(72) Inventors: **Weike Zhu**, Hangzou (CN); **Chenfu Luo**, Hangzou (CN)

(73) Assignee: **HANGZHOU HIKVISION DIGITAL TECHNOLOGY COMPANY, LTD.** (CN)

(\*\*) Term: **15 Years**

(21) Appl. No.: **29/537,664**

(22) Filed: **Aug. 27, 2015**

(30) **Foreign Application Priority Data**

Apr. 20, 2015 (CN) ..... 2015 3 0105704

(51) **LOC (10) Cl.** ..... **10-05**

(52) **U.S. Cl.**  
USPC ..... **D10/106.1**

(58) **Field of Classification Search**  
USPC ..... D10/104.1, 106.1-106.7; D16/203;  
340/571, 588, 628-630; D26/26  
CPC ..... G08B 5/36; G08B 17/06; G08B 17/10;  
G08B 5/38

See application file for complete search history.

(56) **References Cited**

U.S. PATENT DOCUMENTS

|            |   |         |          |       |           |
|------------|---|---------|----------|-------|-----------|
| D374,294 S | * | 10/1996 | Yuen     | ..... | D10/106.1 |
| D375,097 S | * | 10/1996 | Kovens   | ..... | D10/106.1 |
| D498,857 S | * | 11/2004 | Smith    | ..... | D26/26    |
| D605,065 S | * | 12/2009 | Meziere  | ..... | D10/106.1 |
| D618,830 S | * | 6/2010  | Choi     | ..... | D26/26    |
| D644,362 S | * | 8/2011  | Kingston | ..... | D26/26    |
| D705,105 S | * | 5/2014  | Solstad  | ..... | D10/106.1 |

\* cited by examiner

*Primary Examiner* — Sandra Morris

(74) *Attorney, Agent, or Firm* — McAfee & Taft A Professional Corporation

(57) **CLAIM**

The ornamental design for an alarm, as shown and described.

**DESCRIPTION**

FIG. 1 is a front perspective view of an alarm showing our new design.

FIG. 2 is a bottom view of the alarm.

FIG. 3 is a top view of the alarm.

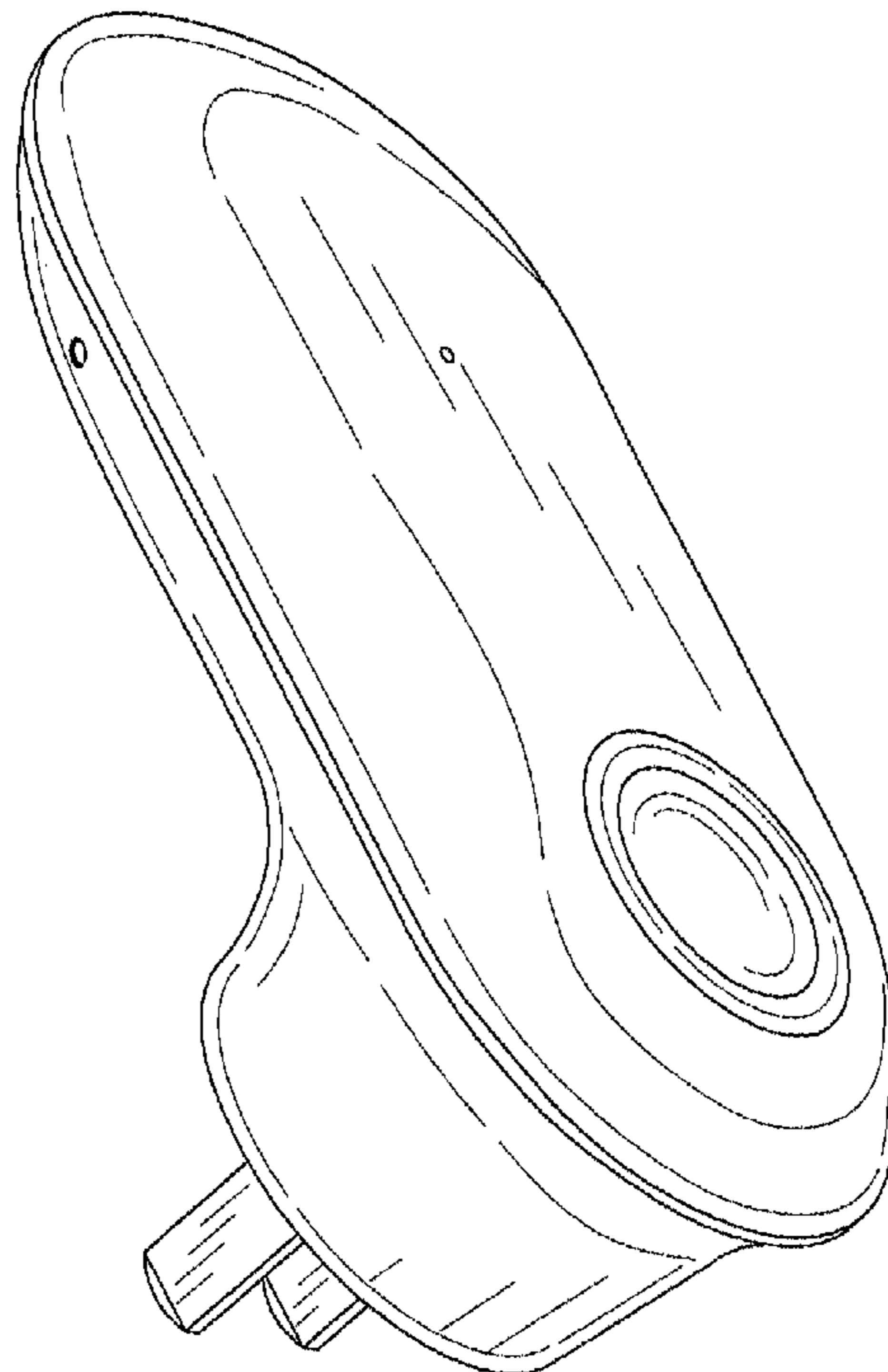
FIG. 4 is a left-side view of the alarm.

FIG. 5 is a right-side view of the alarm.

FIG. 6 is a front view of the alarm; and,

FIG. 7 is a rear view of the alarm.

**1 Claim, 4 Drawing Sheets**



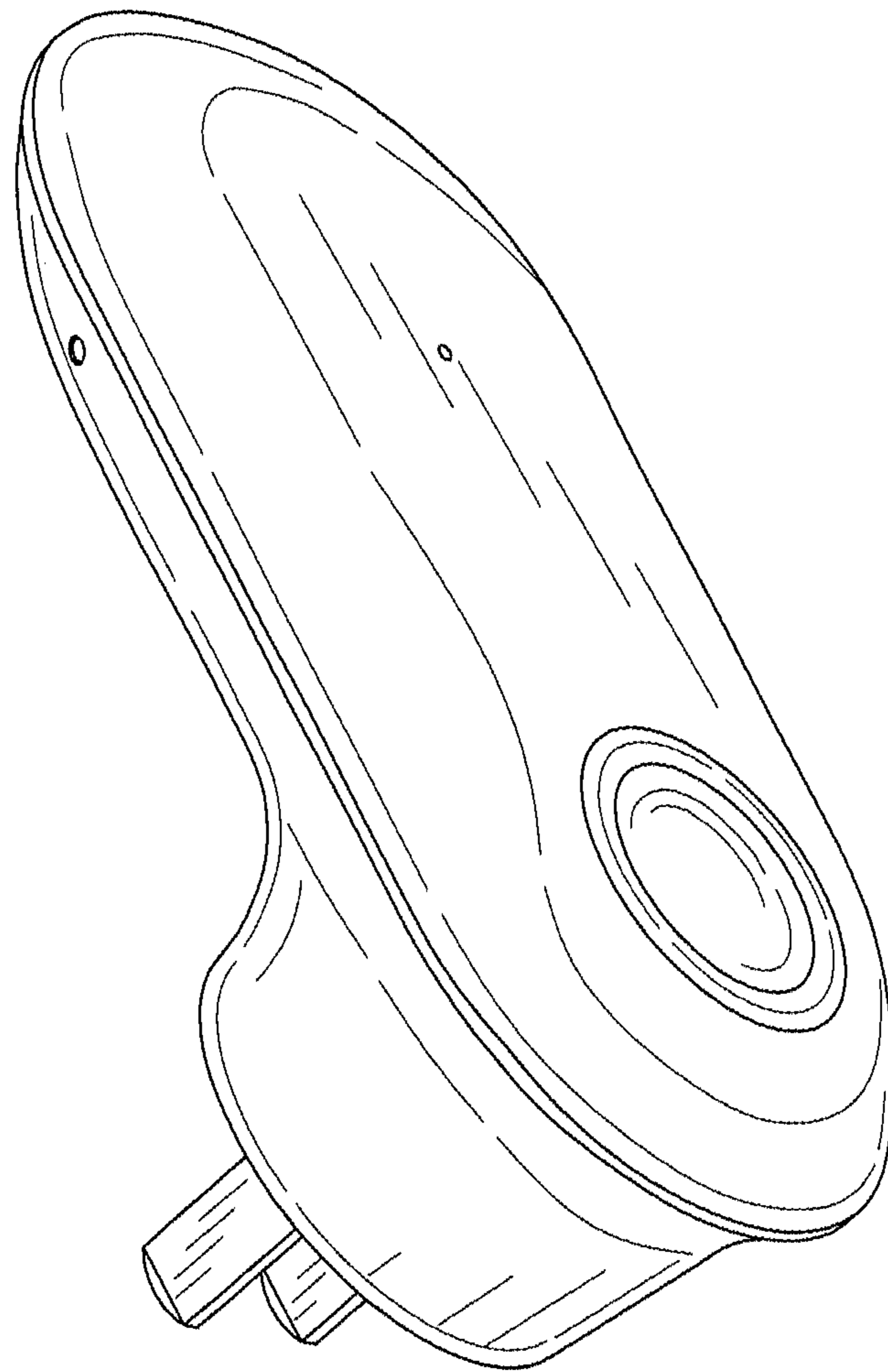


FIG. 1

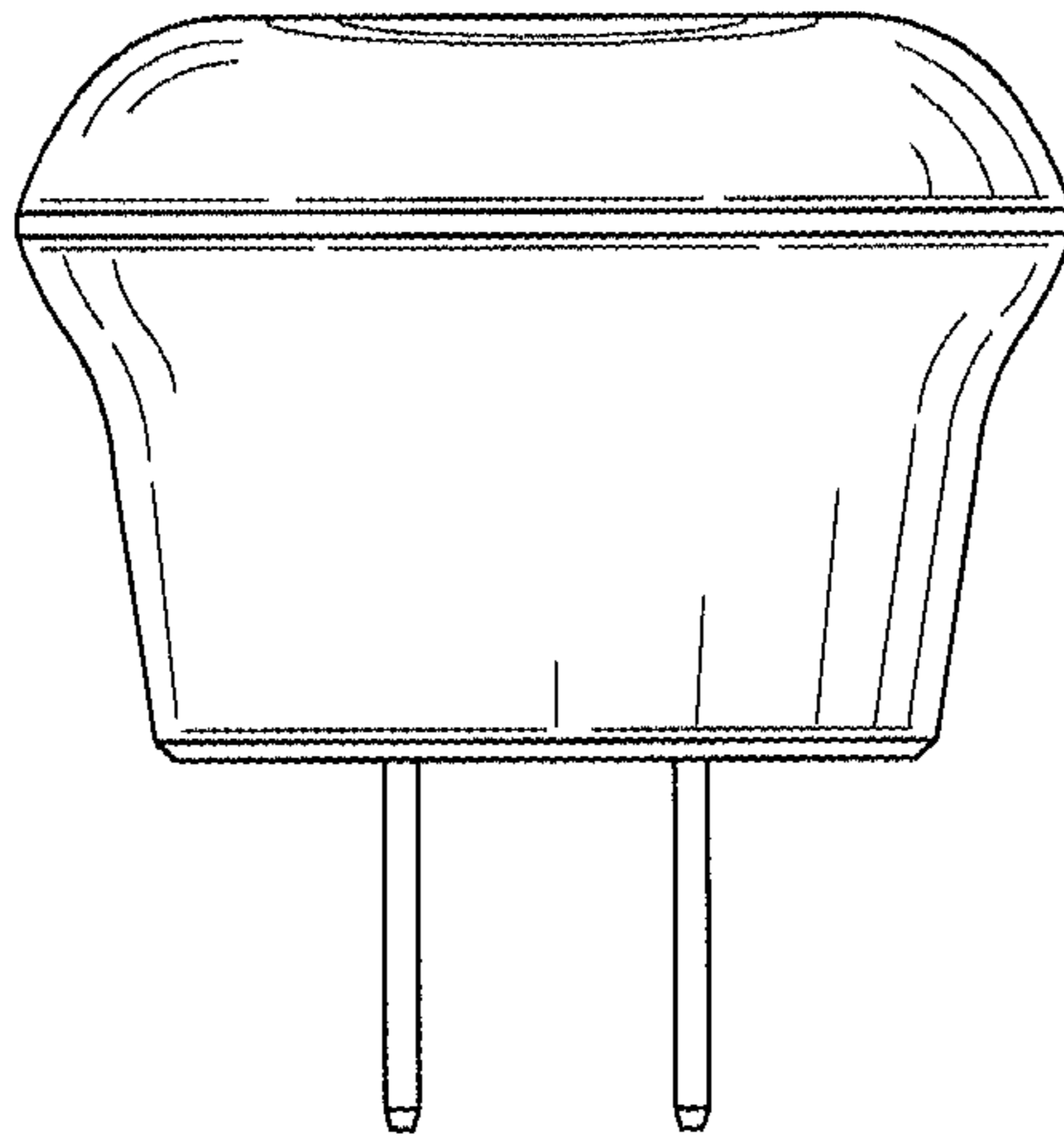


FIG. 2

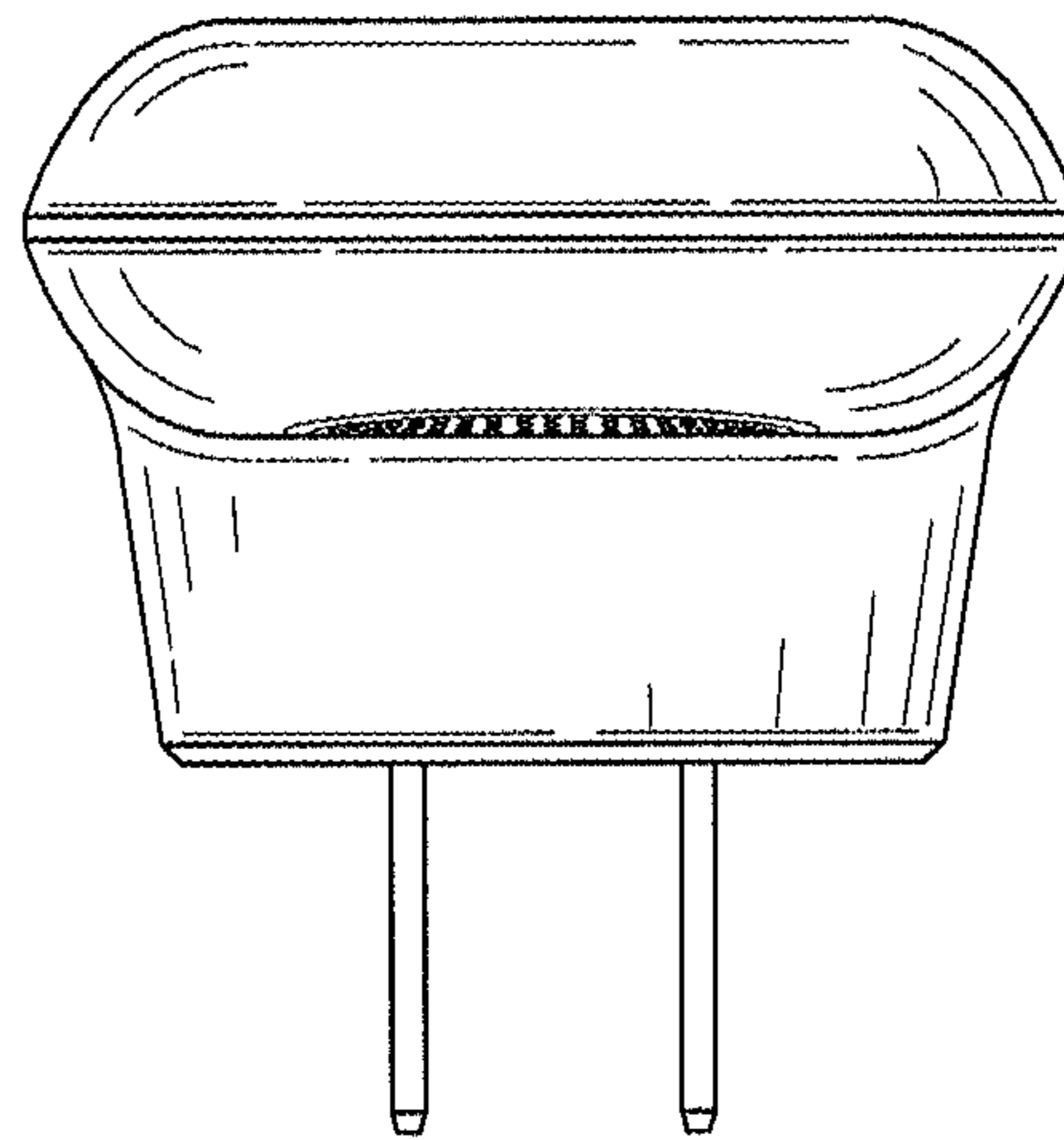


FIG. 3

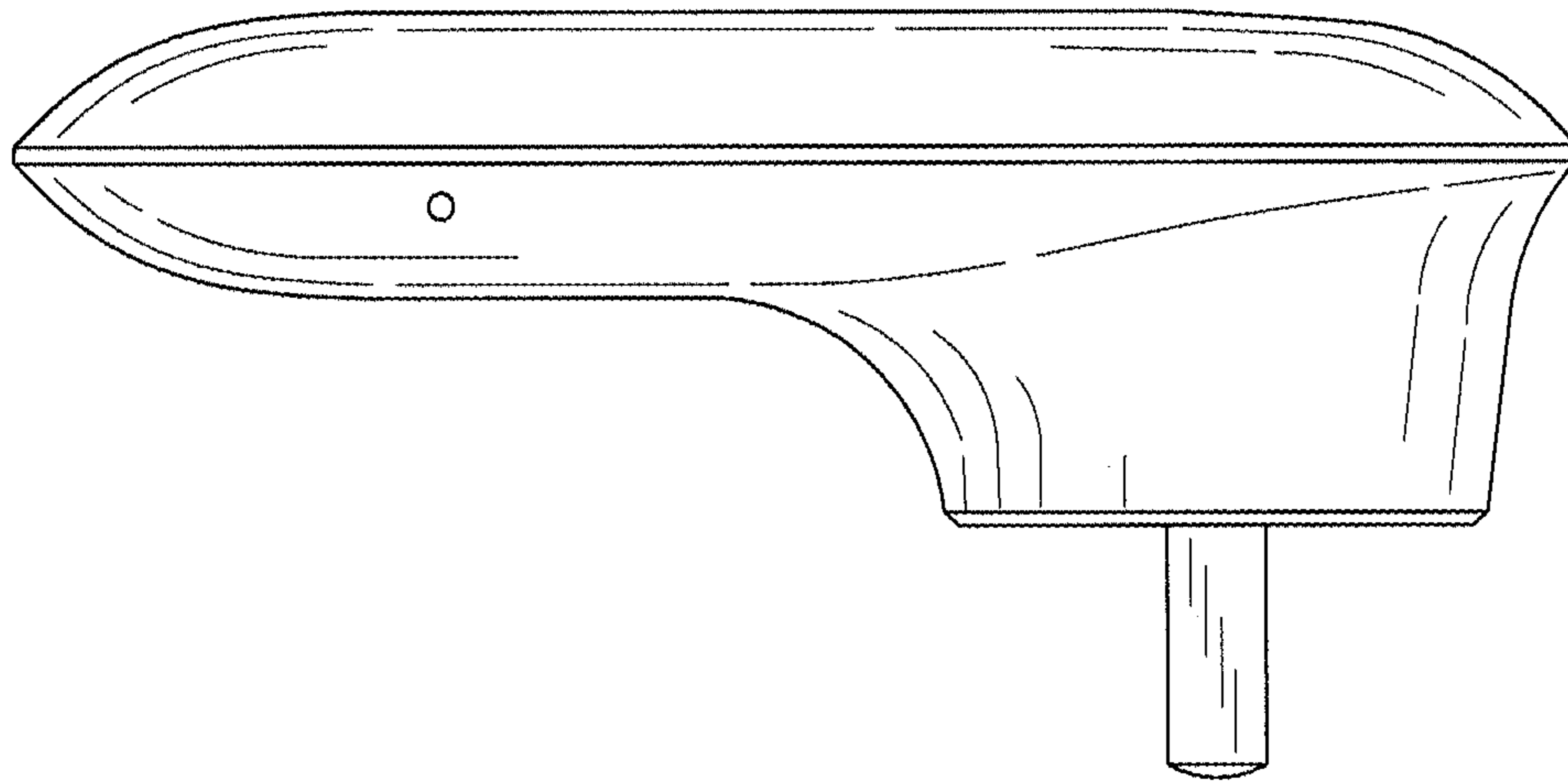


FIG. 4

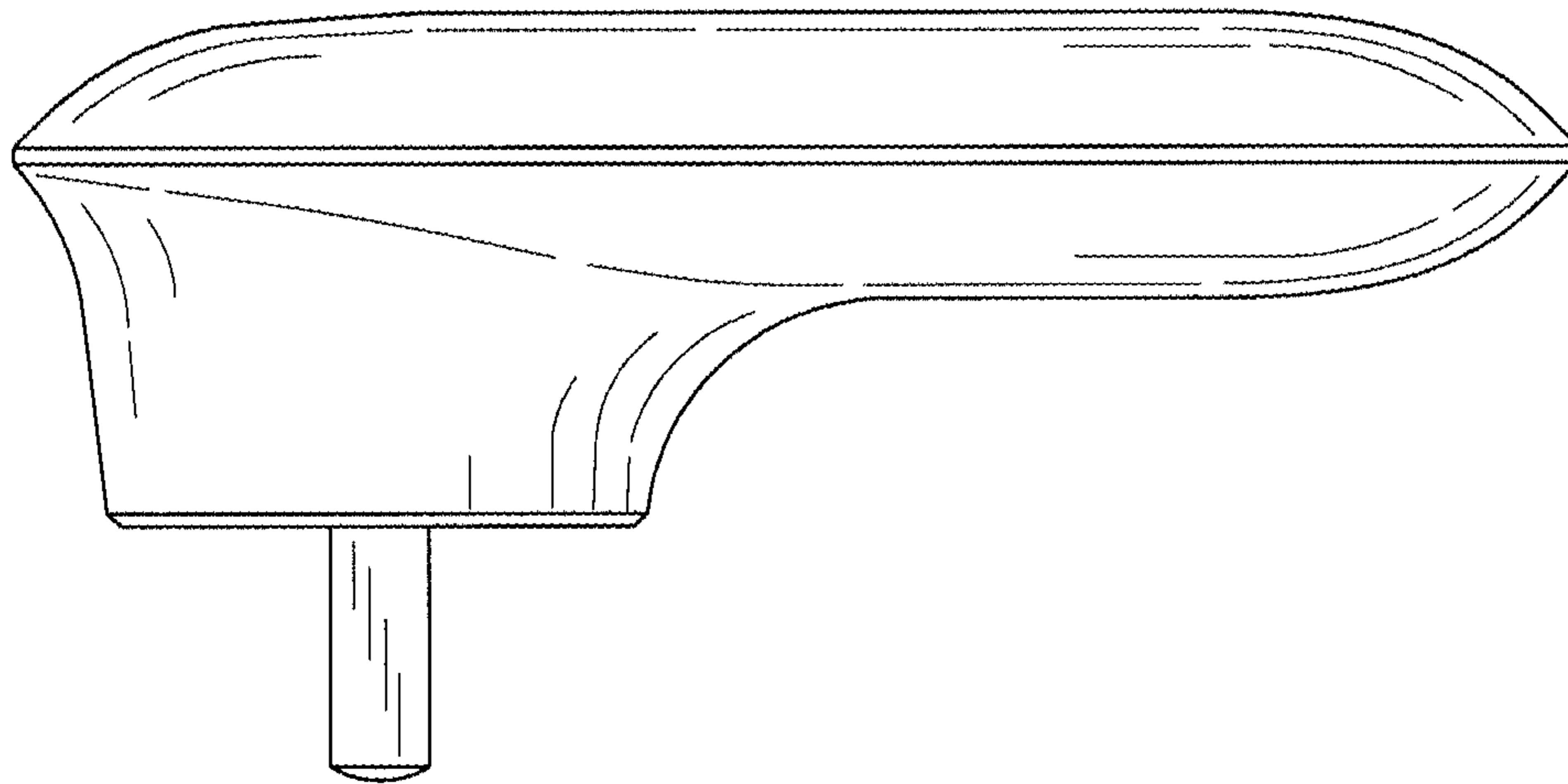


FIG. 5

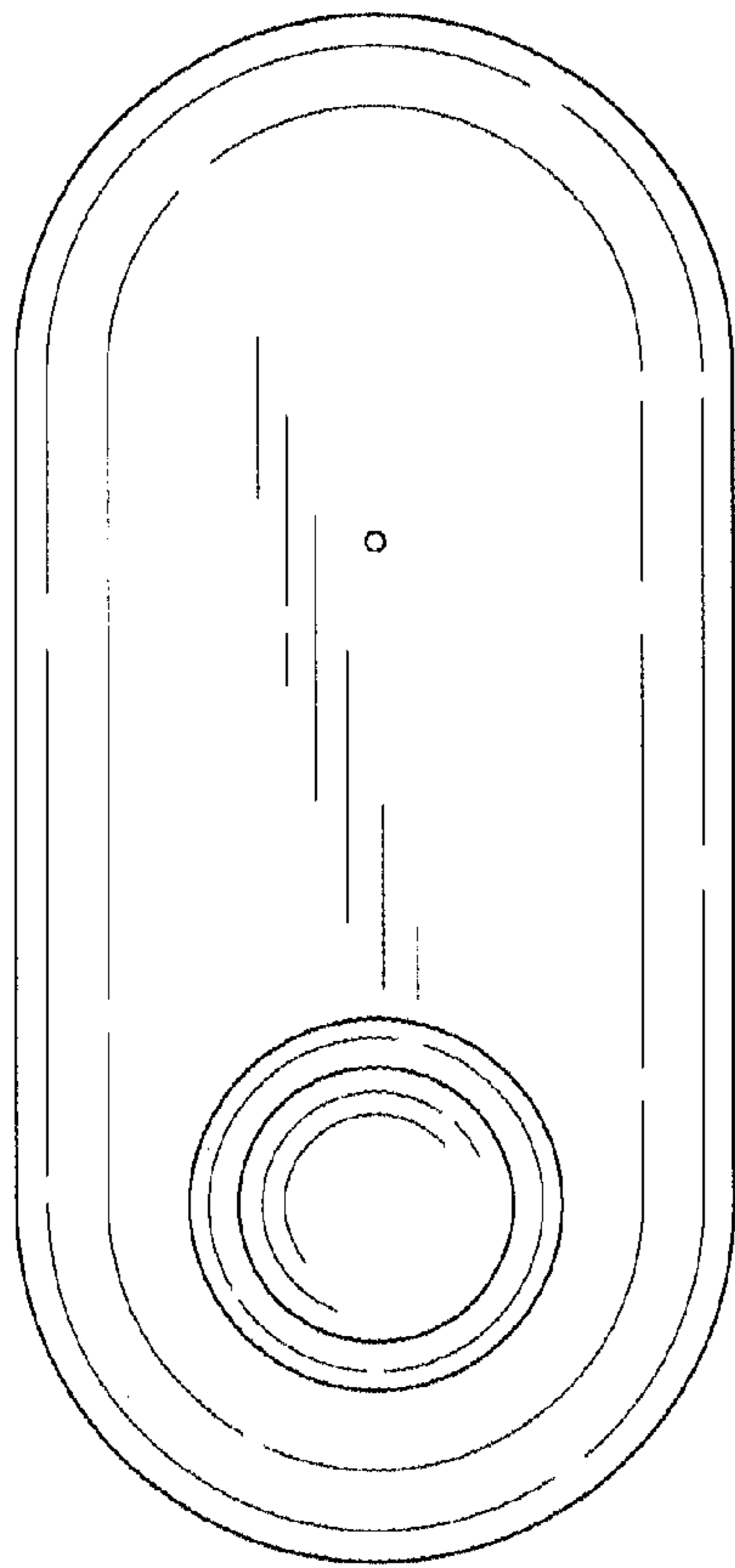


FIG. 6

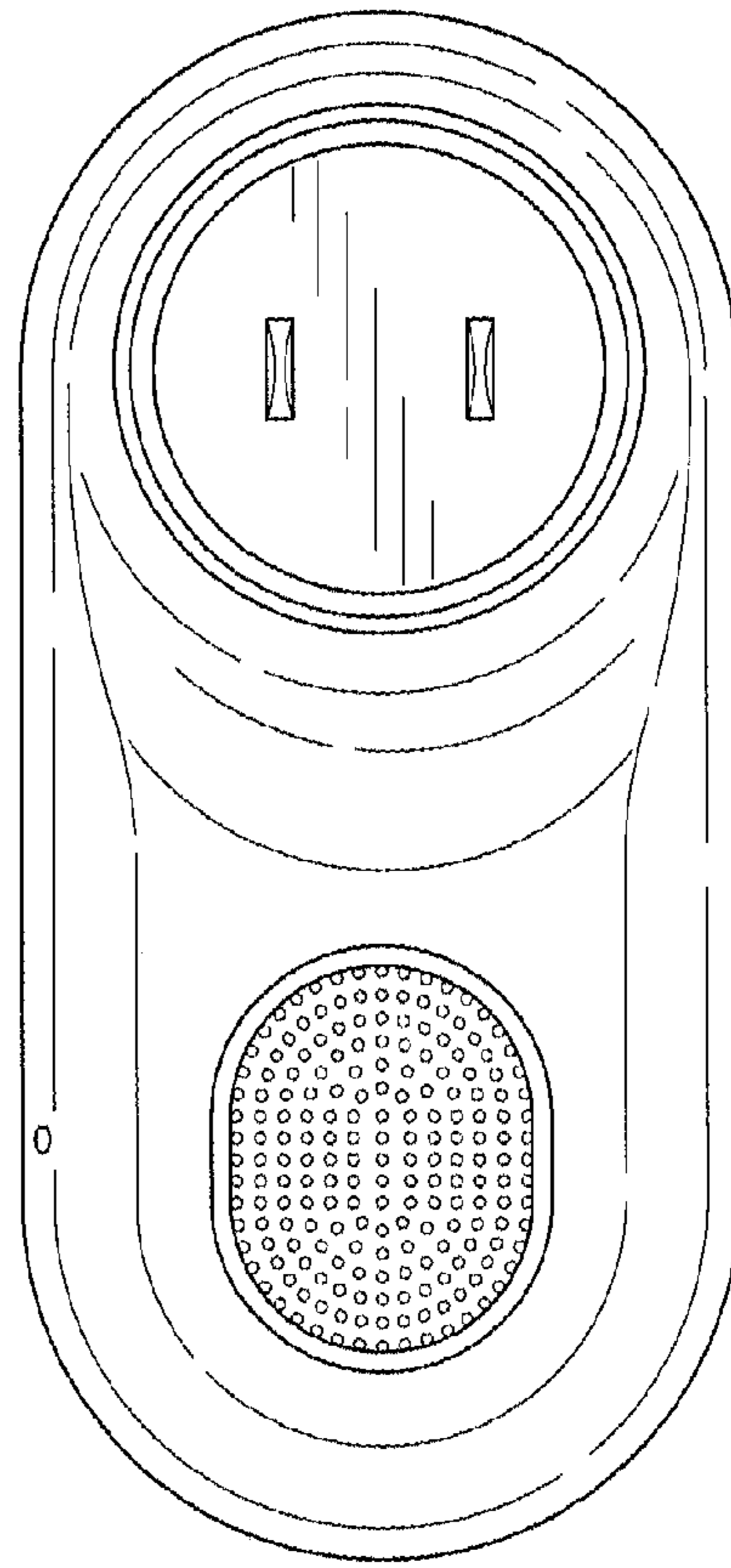


FIG. 7