



US00D767425S

(12) **United States Design Patent**
Holweger et al.

(10) **Patent No.:** **US D767,425 S**

(45) **Date of Patent:** **** Sep. 27, 2016**

(54) **VEHICLE MONITORING APPARATUS**

(71) Applicant: **Lester Electrical**, Lincoln, NE (US)

(72) Inventors: **Scott M. Holweger**, Lincoln, NE (US);
Lonnie L. Schmidt, Lincoln, NE (US)

(73) Assignee: **Lester Electrical**, Lincoln, NE (US)

(**) Term: **14 Years**

(21) Appl. No.: **29/515,972**

(22) Filed: **Jan. 28, 2015**

(51) **LOC (10) Cl.** **10-05**

(52) **U.S. Cl.**
USPC **D10/104.1**

(58) **Field of Classification Search**
USPC D10/104.1; D13/124, 133, 162, 162.1
CPC H01R 27/02
See application file for complete search history.

(56) **References Cited**

U.S. PATENT DOCUMENTS

D376,329 S * 12/1996 Youabian D10/104.1
D446,142 S * 8/2001 Shafiyani-Rad D10/104.1

D632,195 S * 2/2011 Daniel D10/104.1
D714,669 S * 10/2014 Weatherford, Jr. D10/104.1
D751,936 S * 3/2016 Wu D10/104.1
9,281,647 B2 * 3/2016 Krivtsov H01R 27/02
D756,826 S * 5/2016 Smith D10/104.1

* cited by examiner

Primary Examiner — George D Kirschbaum

(74) *Attorney, Agent, or Firm* — Suiter Swantz pc llo

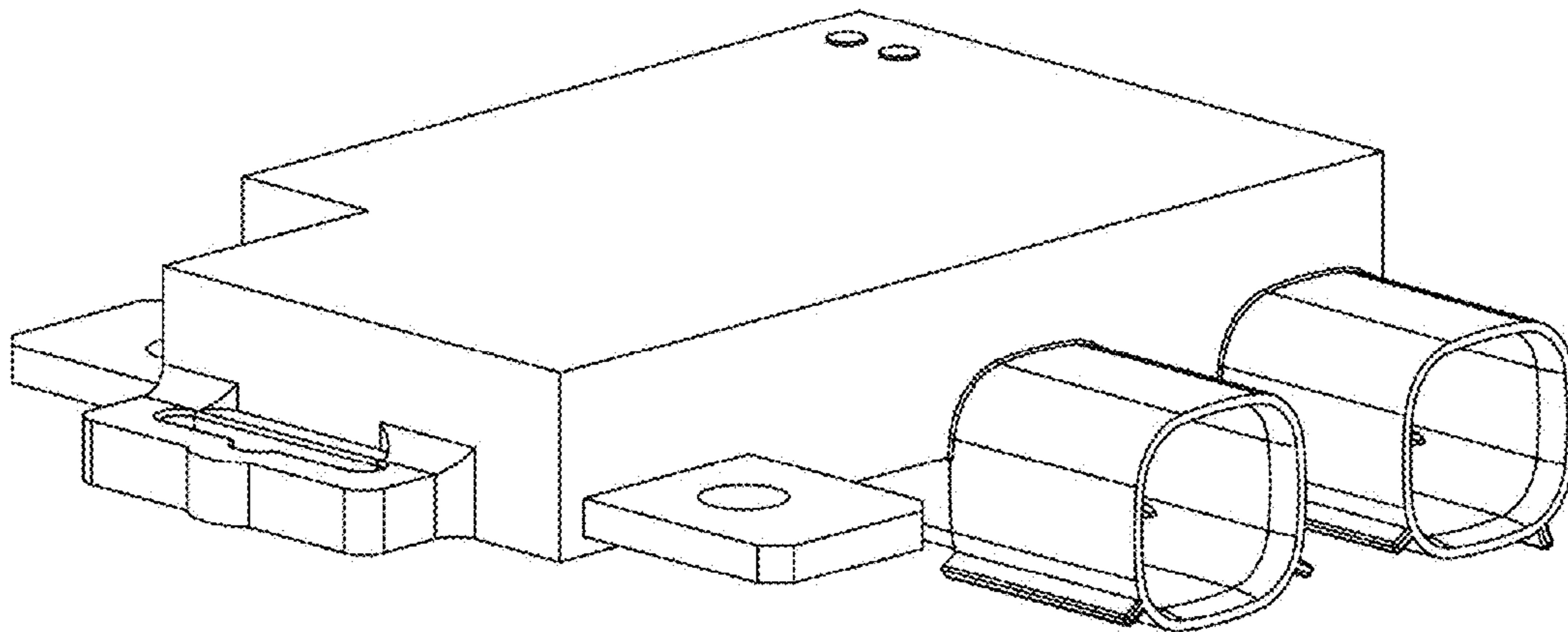
(57) **CLAIM**

The ornamental design for a vehicle monitoring apparatus,
as shown and described.

DESCRIPTION

FIG. 1 is a perspective view showing my new design;
FIG. 2 is a top plan view thereof;
FIG. 3 is a front elevation view thereof;
FIG. 4 is a first side elevation view thereof;
FIG. 5 is a rear elevation view thereof;
FIG. 6 is a second side elevation view thereof; and,
FIG. 7 is a bottom plan view thereof.

1 Claim, 7 Drawing Sheets



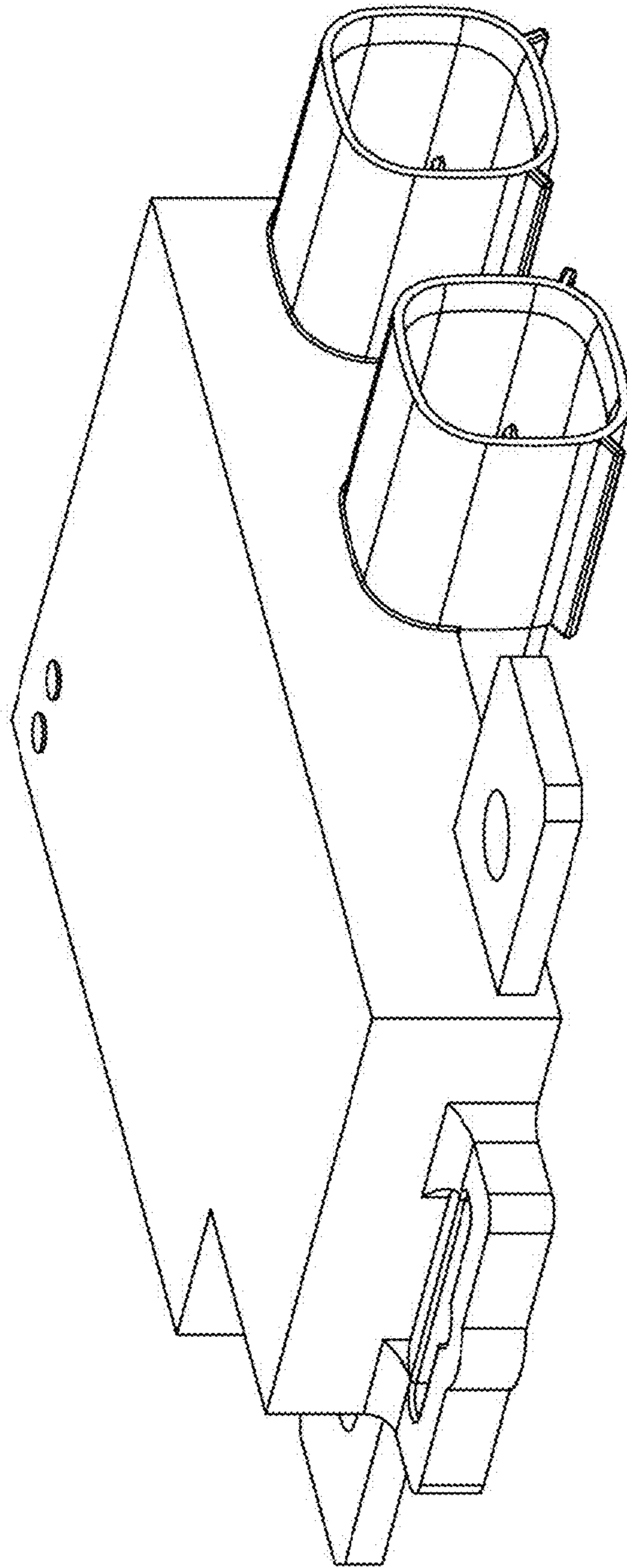


Figure 1

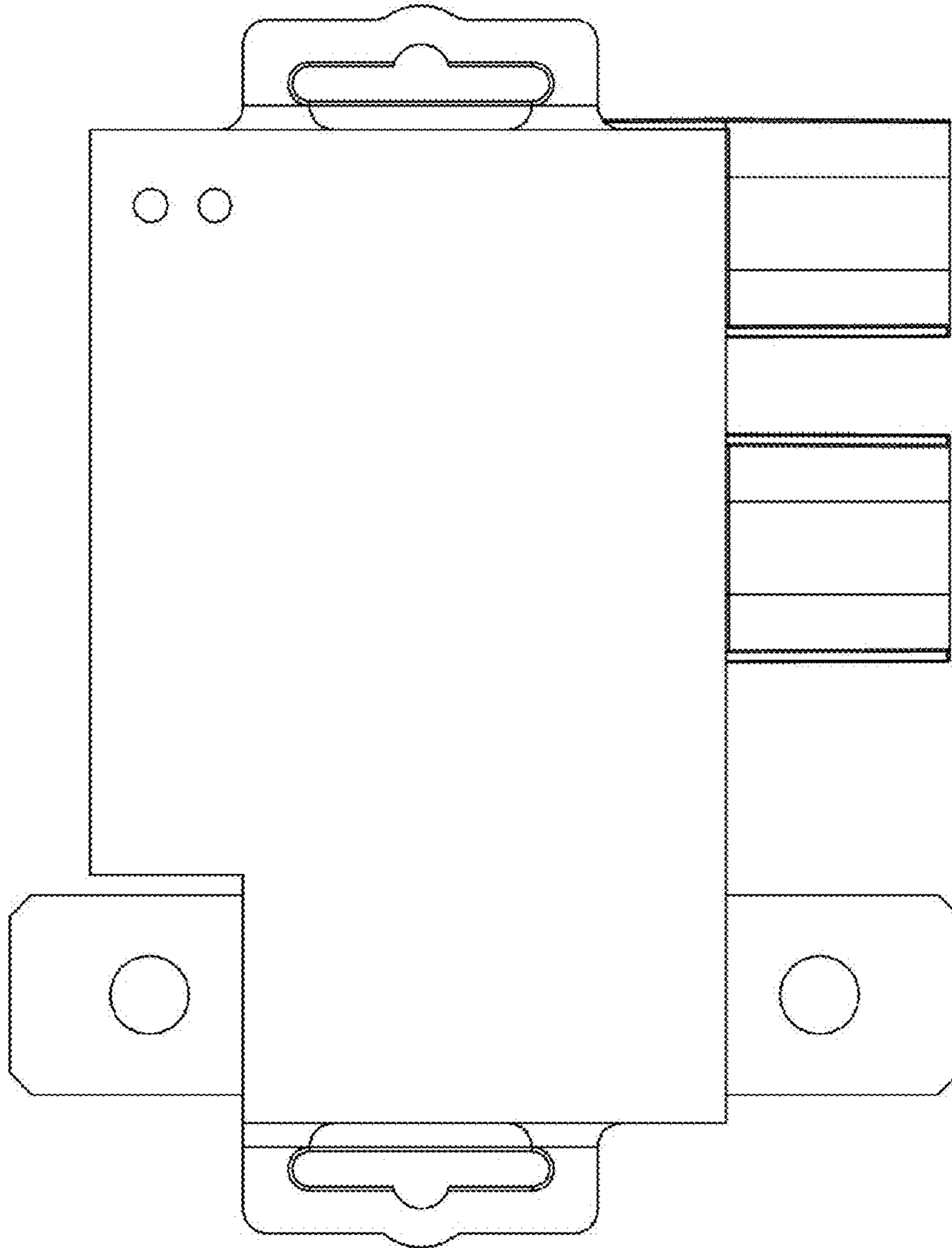


Figure 2

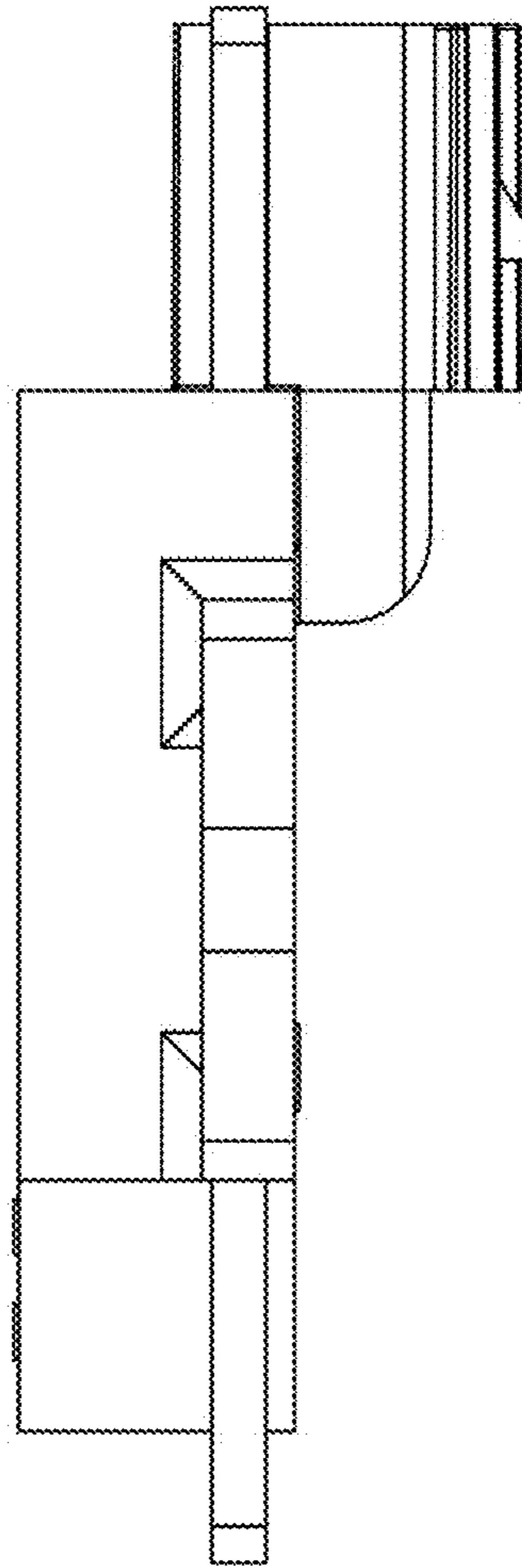


Figure 3

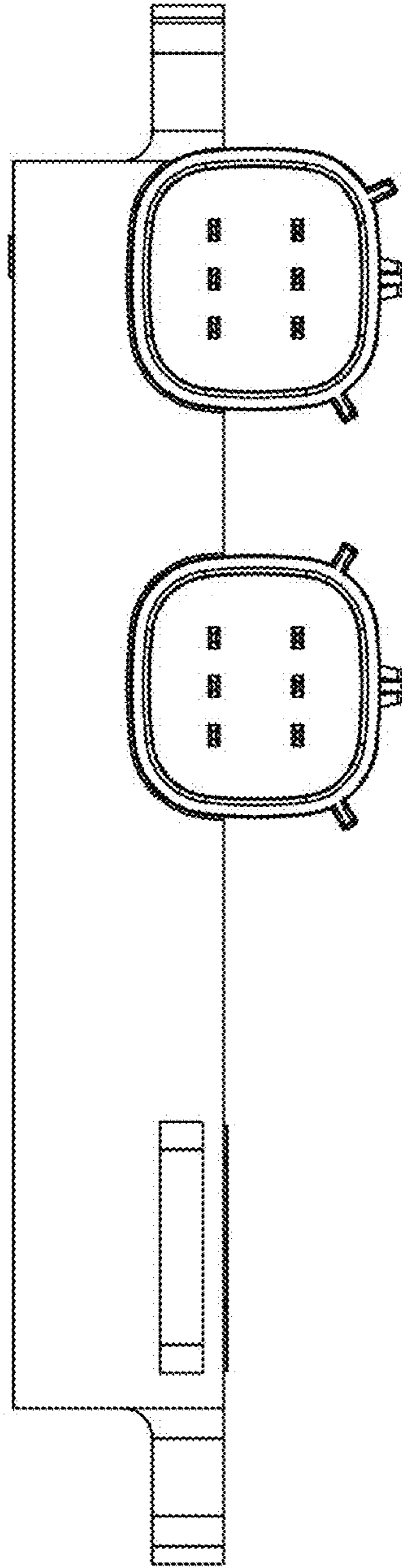


Figure 4

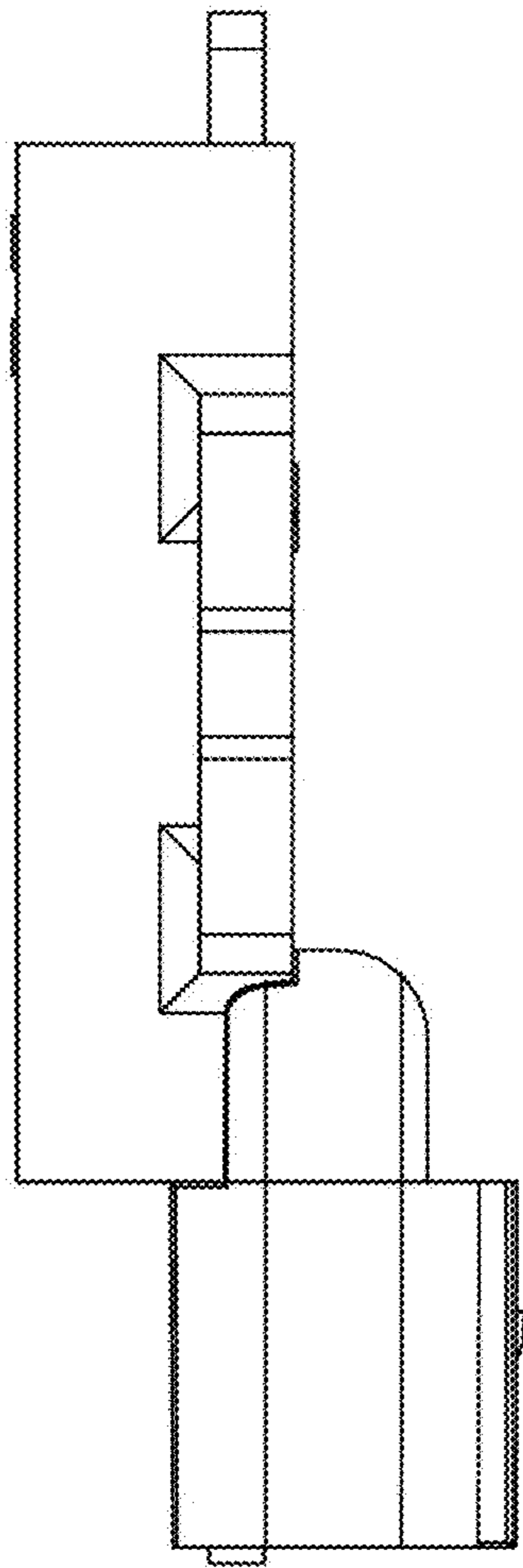


Figure 5

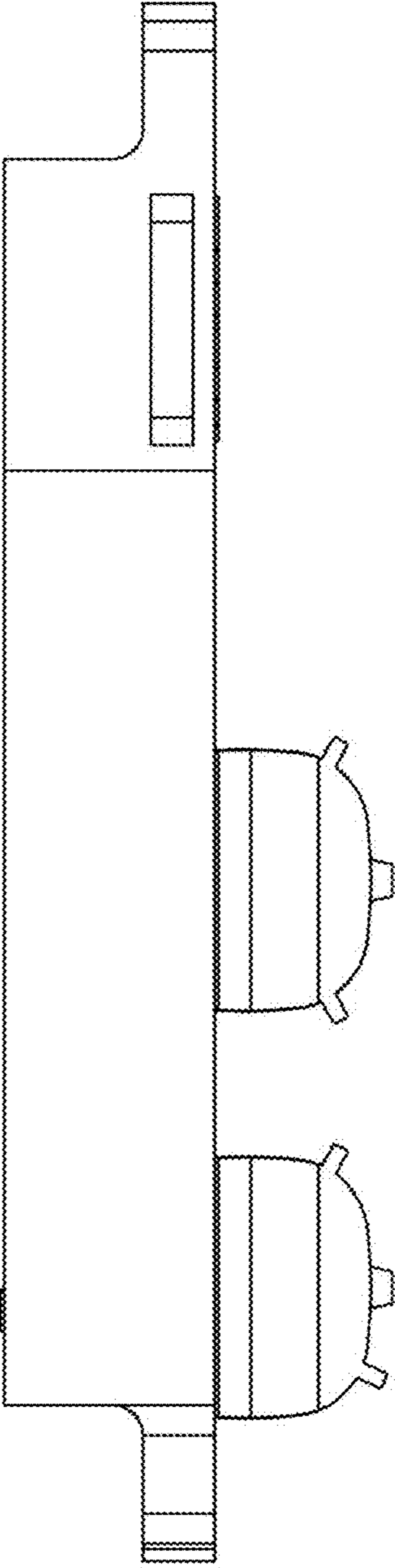


Figure 6

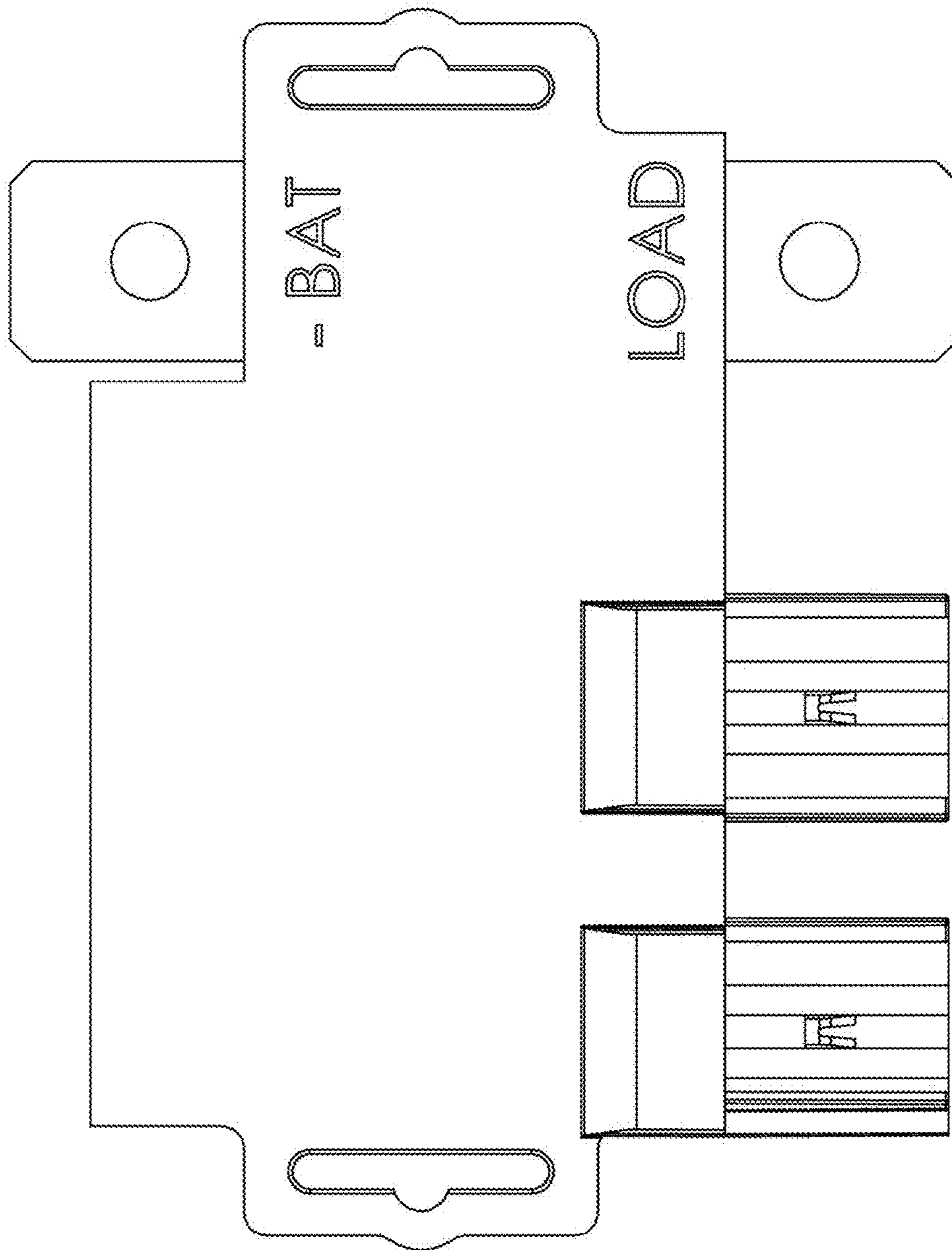


Figure 7