



US00D767423S

(12) **United States Design Patent** (10) **Patent No.:** **US D767,423 S**
Choudhary (45) **Date of Patent:** **** Sep. 27, 2016**

(54) **COMPACT BIOREACTOR WITH CART**

Primary Examiner — Antonie D Davis

(71) Applicant: **General Electric Company**

(74) *Attorney, Agent, or Firm* — Sutherland Asbill & Brennan LLP

(72) Inventor: **Manish Uddhaorao Choudhary,**
Bangalore (IN)

(57) **CLAIM**

The ornamental design for a compact bioreactor with cart, as shown and described.

(73) Assignee: **GENERAL ELECTRIC COMPANY,**
Schenectady, NY (US)

DESCRIPTION

(**) Term: **15 Years**

FIG. 1 is a front-side perspective view of an embodiment of a compact bioreactor with cart showing my new design.

(21) Appl. No.: **29/535,262**

FIG. 2 is a front view thereof.

(22) Filed: **Aug. 5, 2015**

FIG. 3 is a left-side view thereof.

(30) **Foreign Application Priority Data**

FIG. 4 is a rear view thereof.

Feb. 5, 2015 (IN) 269334

FIG. 5 is a right-side view thereof.

(51) **LOC (10) Cl.** **10-04**

FIG. 6 is a top view thereof.

(52) **U.S. Cl.**

USPC **D10/81; D24/216**

FIG. 7 is a bottom view thereof.

(58) **Field of Classification Search**

FIG. 8 is a front-side perspective view of an embodiment of a compact bioreactor with cart showing my new design, the broken lines are for illustrative purposes only and form no part of the claimed design.

USPC D10/81; D24/216, 219, 232, 233, 234

FIG. 9 is a front view thereof, the broken lines are for illustrative purposes only and form no part of the claimed design.

CPC ... C12M 21/00; C12M 21/02; C12M 21/04;

FIG. 10 is a left-side view thereof, the broken lines are for illustrative purposes only and form no part of the claimed design.

C12M 21/06; C12M 21/08; C12M 21/10;

FIG. 11 is a rear view thereof, the broken lines are for illustrative purposes only and form no part of the claimed design.

C12M 21/12; C12M 21/14; C12M 21/16;

FIG. 12 is right-side view thereof, the broken lines are for illustrative purposes only and form no part of the claimed design.

C12M 21/18; C12M 231/00; C12M 235/52;

FIG. 13 is a top view thereof, the broken lines are for illustrative purposes only and form no part of the claimed design; and,

C12M 23/54; C12M 23/02; C12M 23/56;

FIG. 14 is a bottom view thereof, the broken lines are for illustrative purposes only and form no part of the claimed design.

C12M 23/58; C12M 23/44

See application file for complete search history.

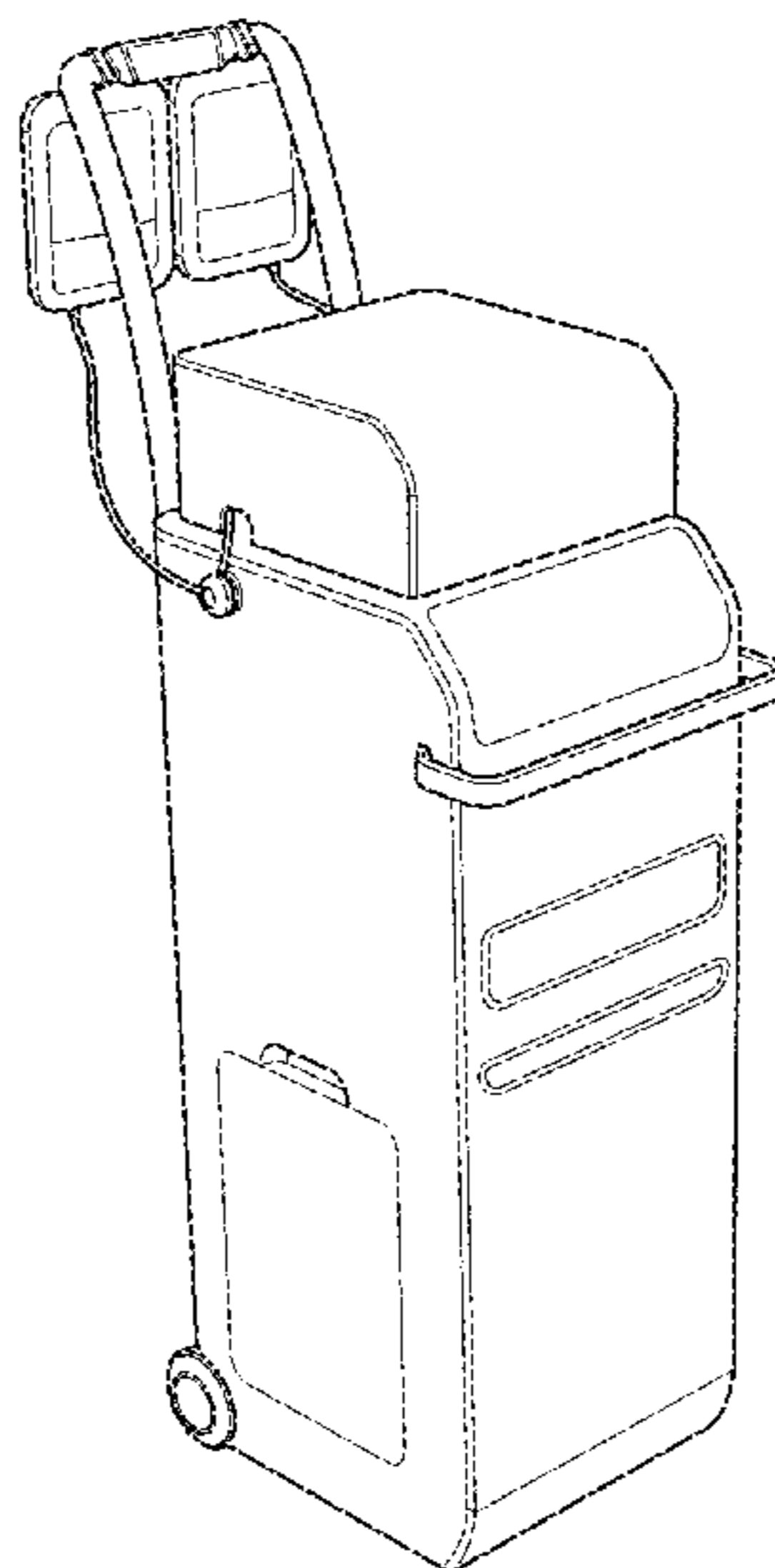
(56) **References Cited**

U.S. PATENT DOCUMENTS

D325,091 S *	3/1992	Holbl	D24/232
D328,793 S *	8/1992	Holbl	D24/216
D358,895 S *	5/1995	Holbl	D24/216
8,916,045 B2 *	12/2014	Reinbigler	C12M 23/44 210/206

* cited by examiner

1 Claim, 14 Drawing Sheets



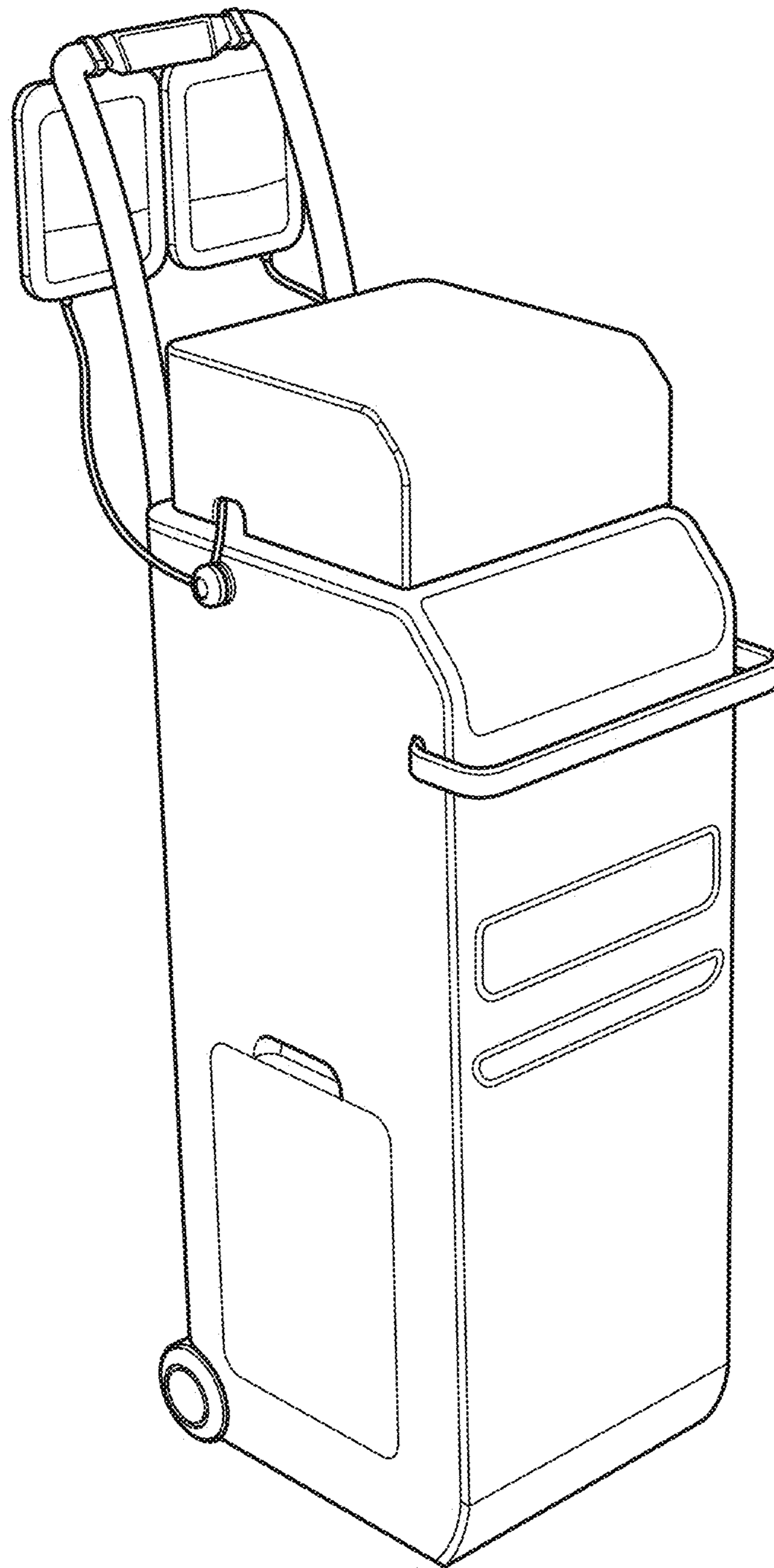


FIG. 1

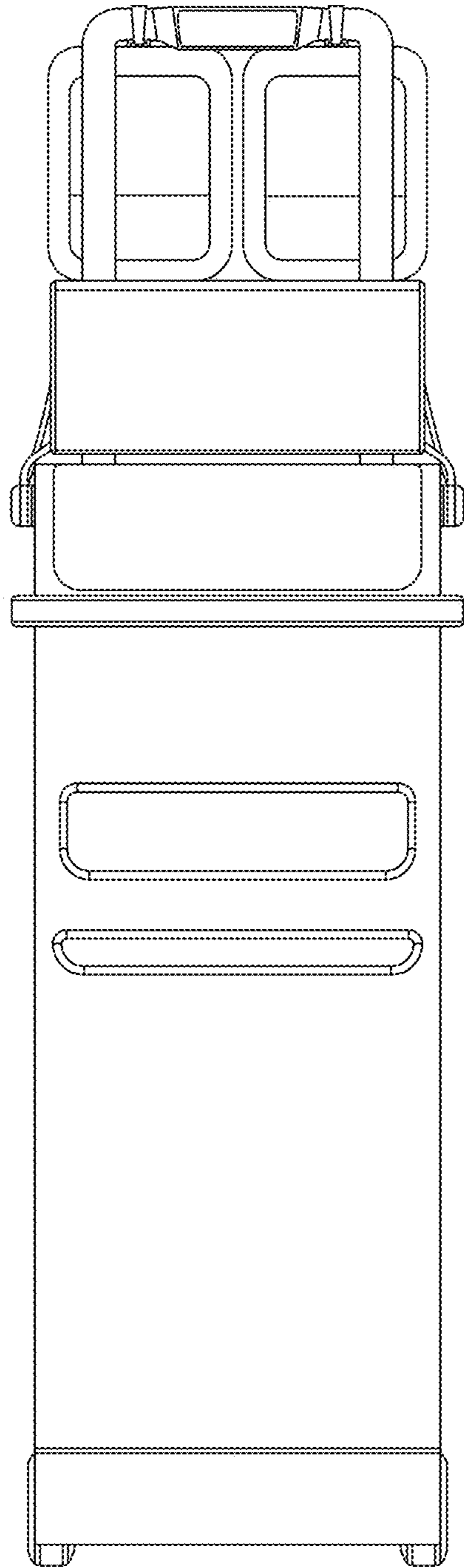


FIG. 2

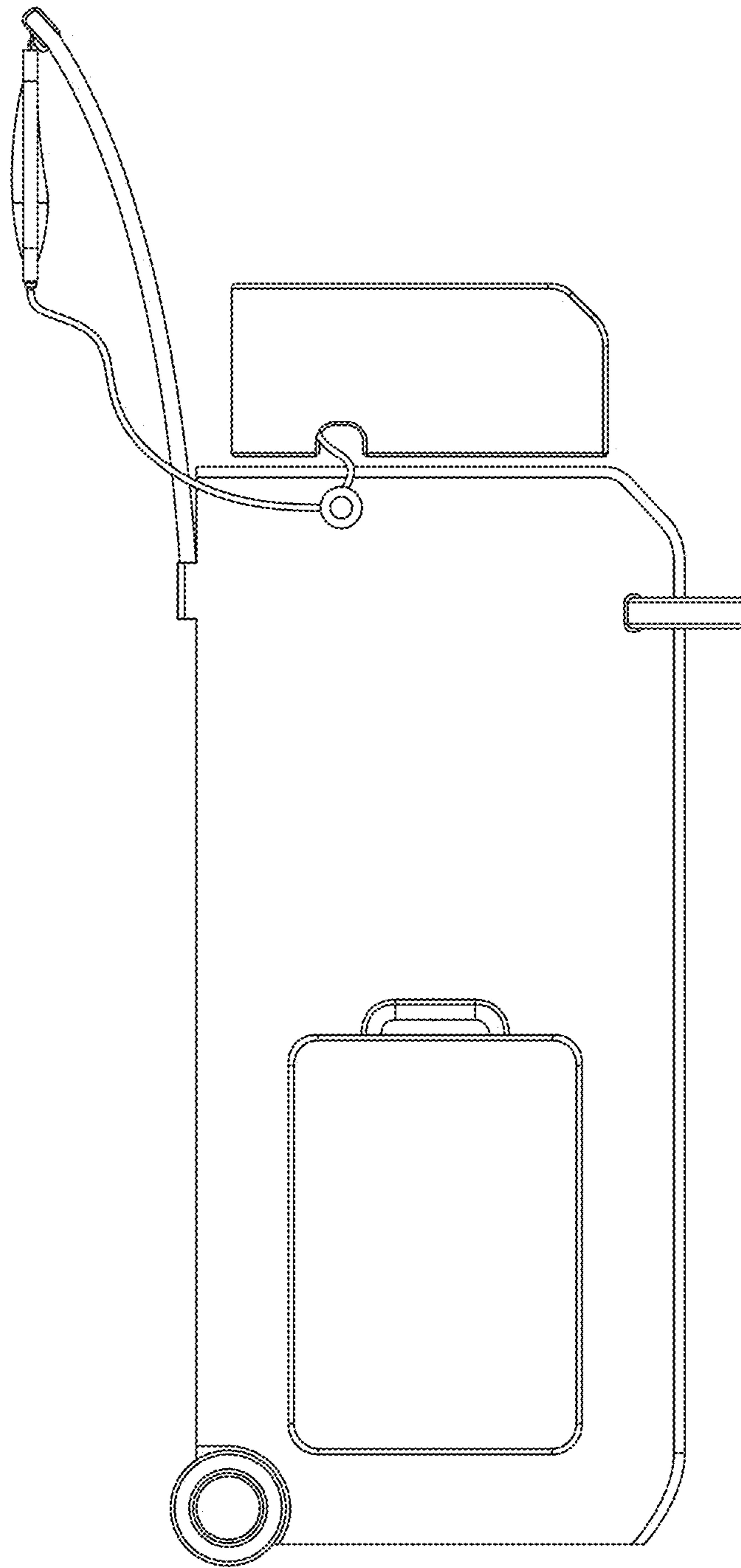


FIG. 3

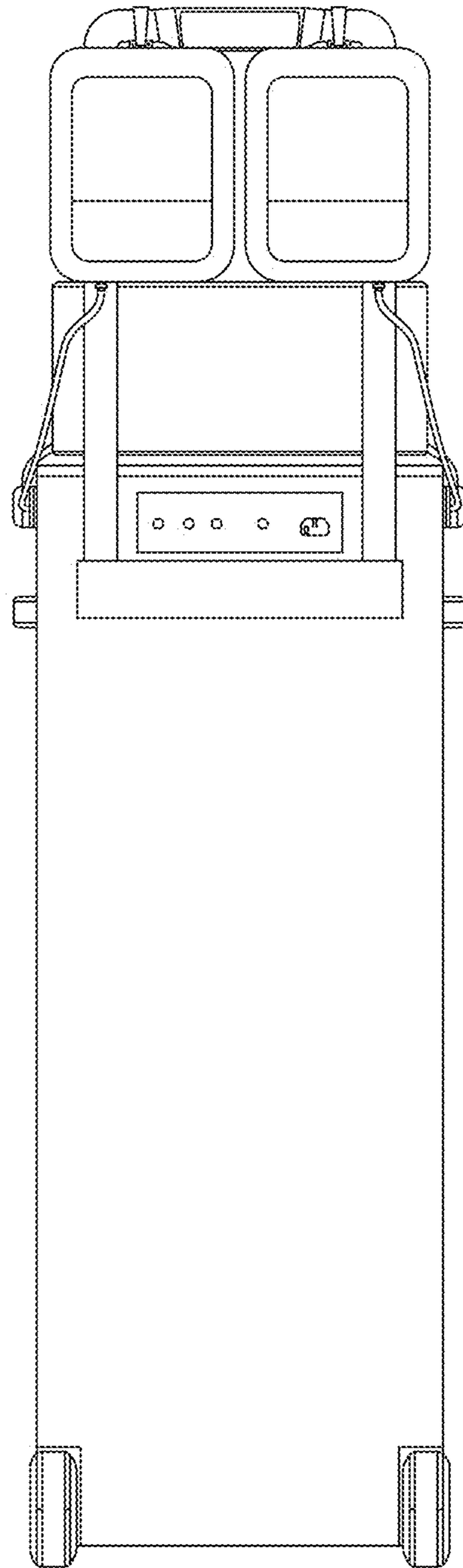


FIG. 4

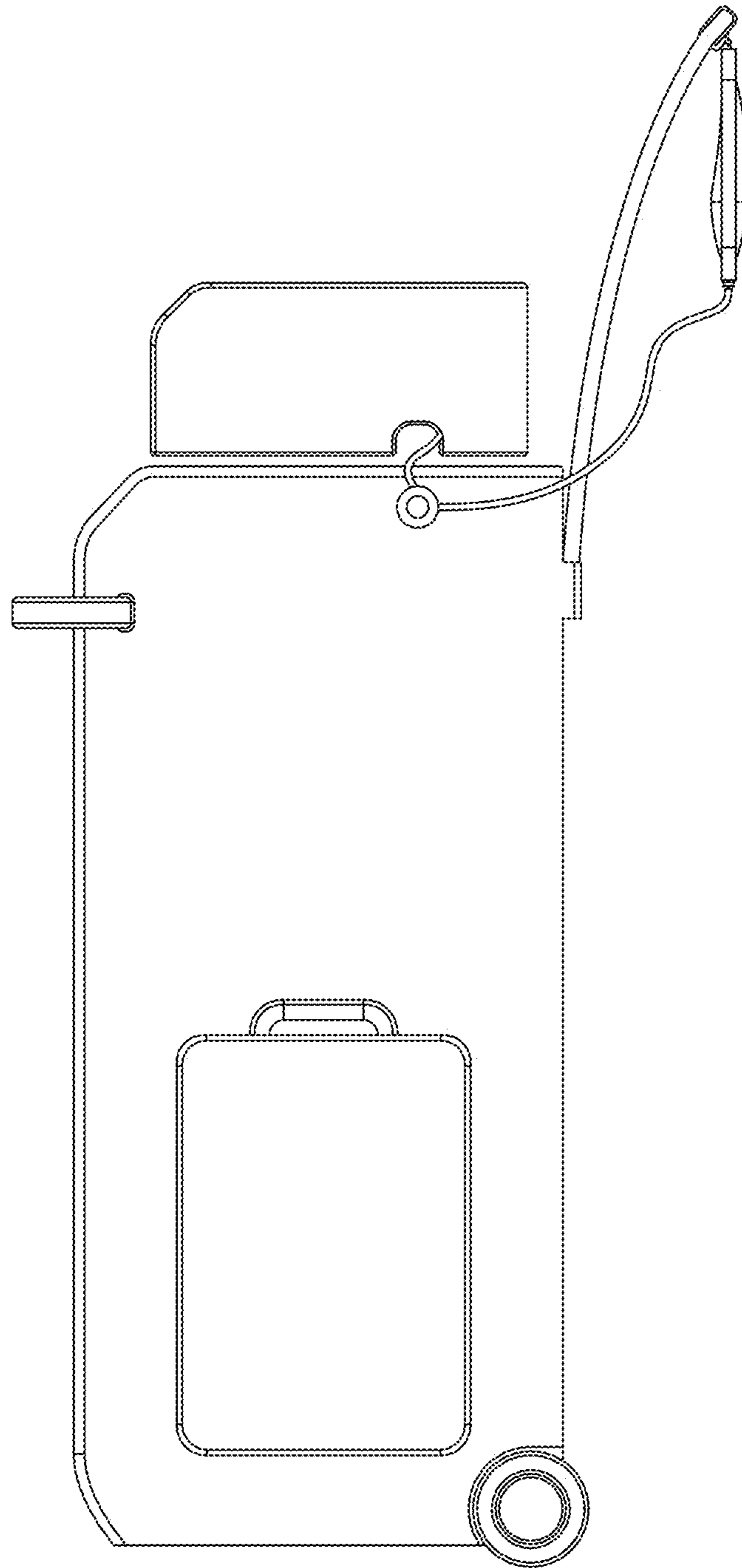


FIG. 5

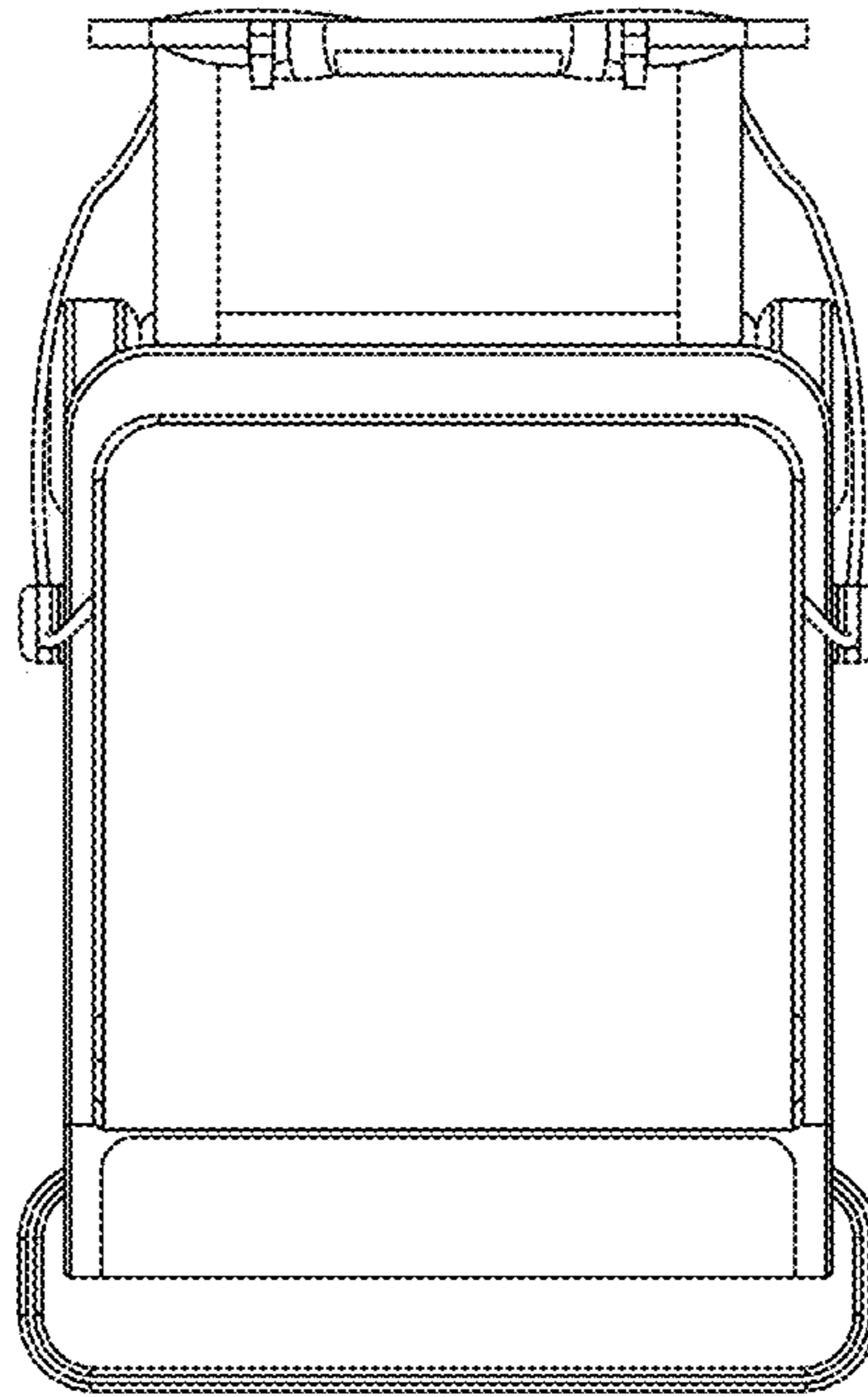


FIG. 6

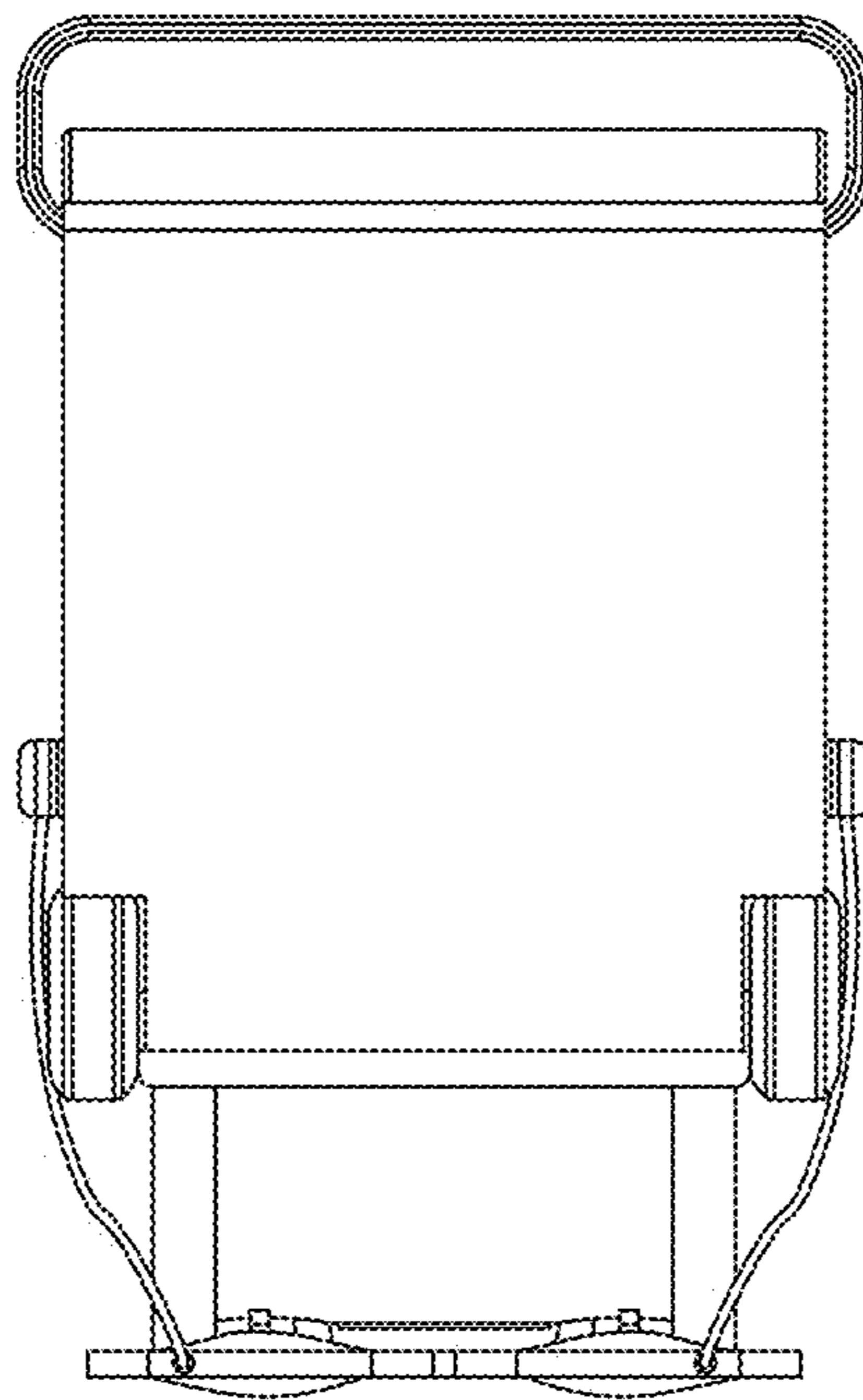


FIG. 7

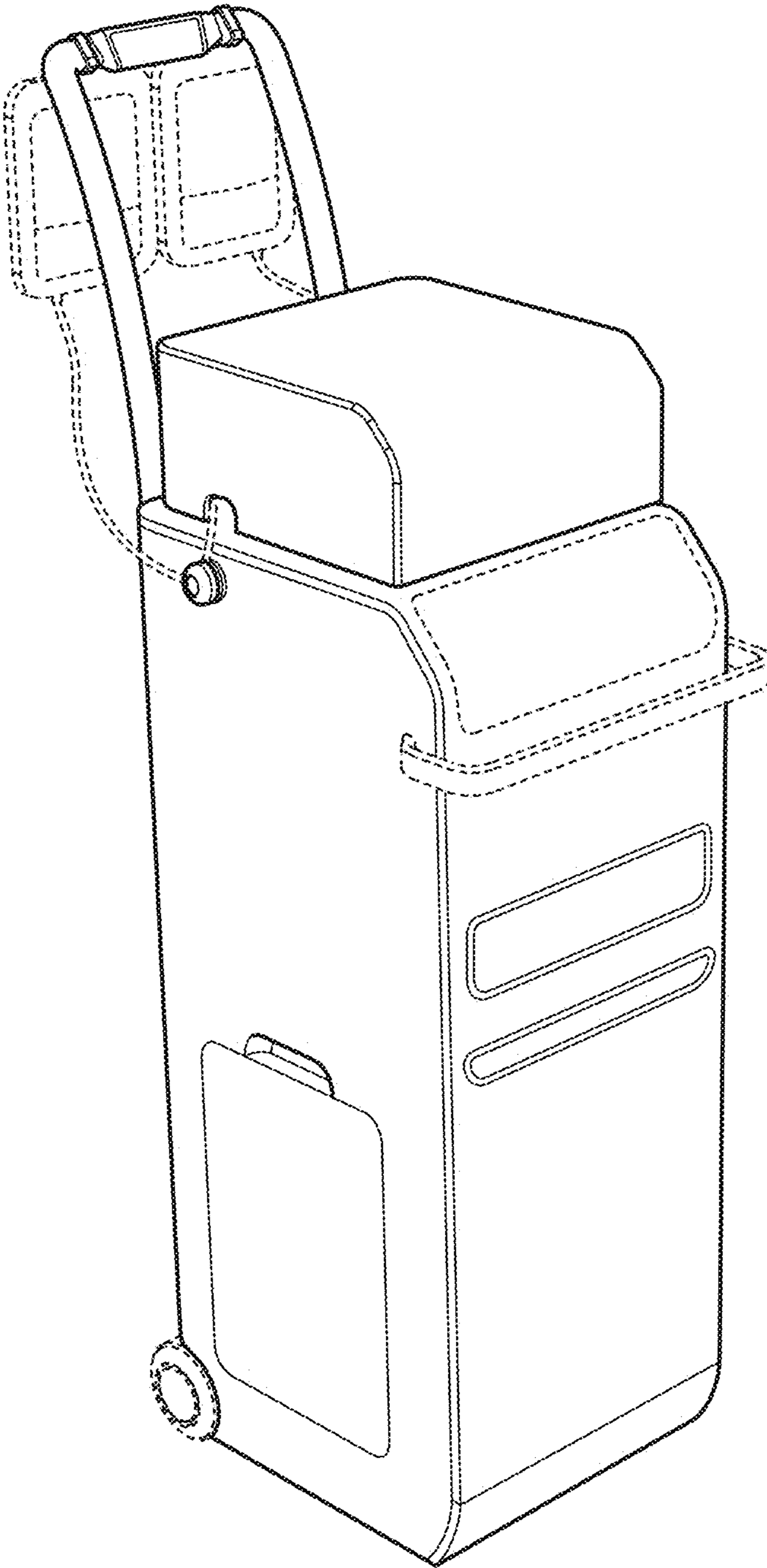


FIG. 8

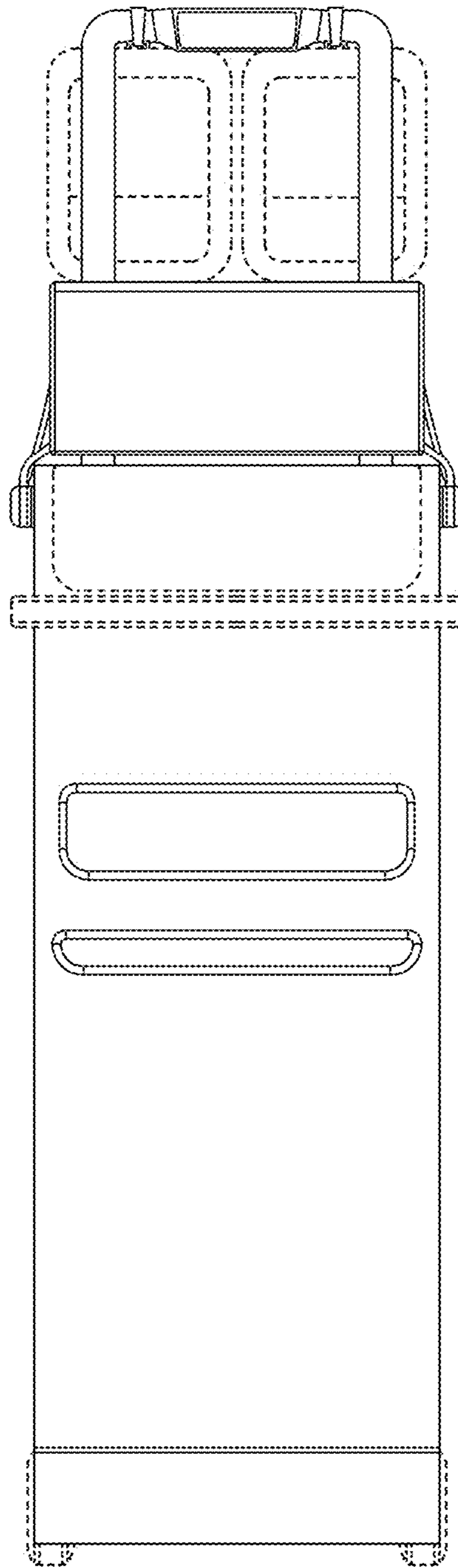


FIG. 9

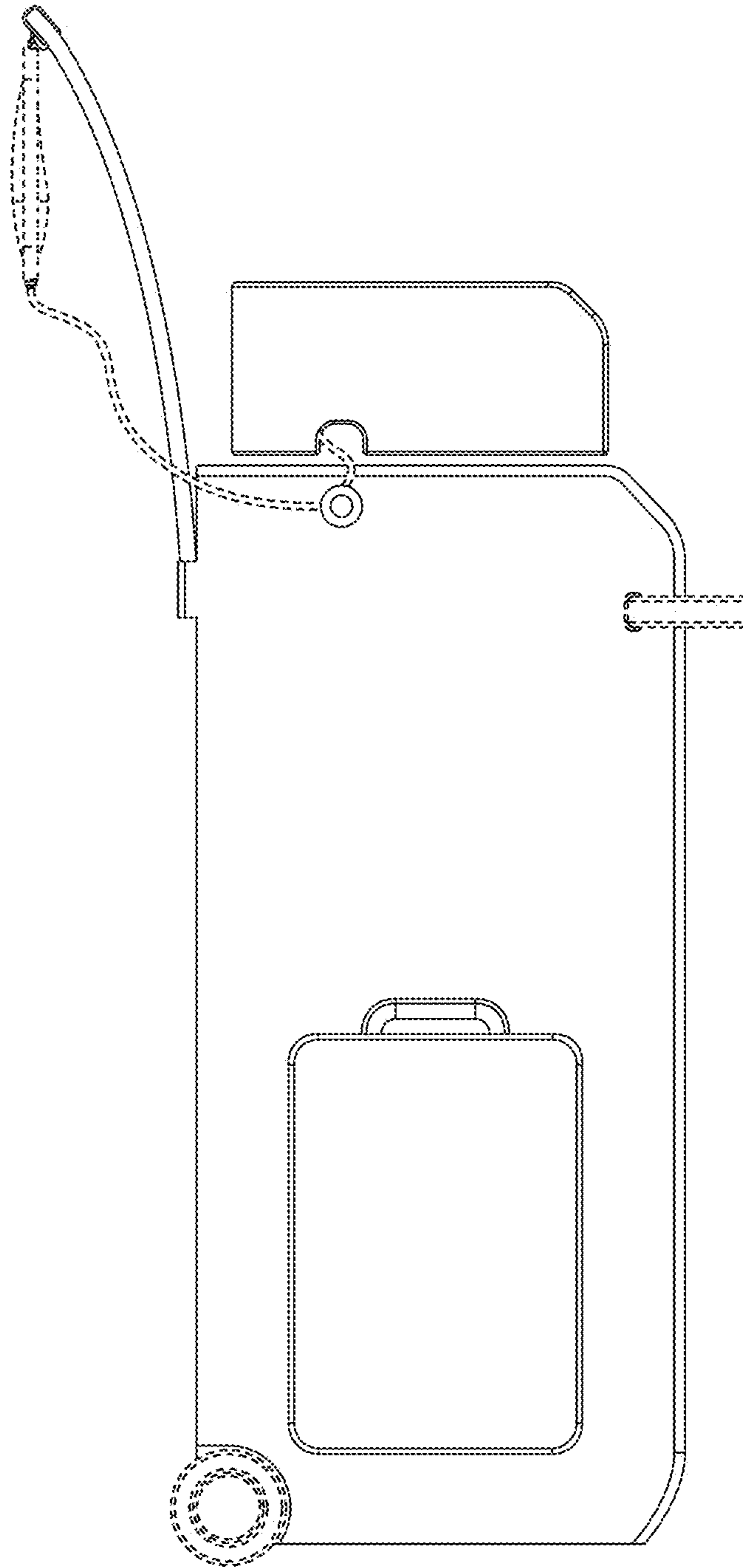


FIG. 10

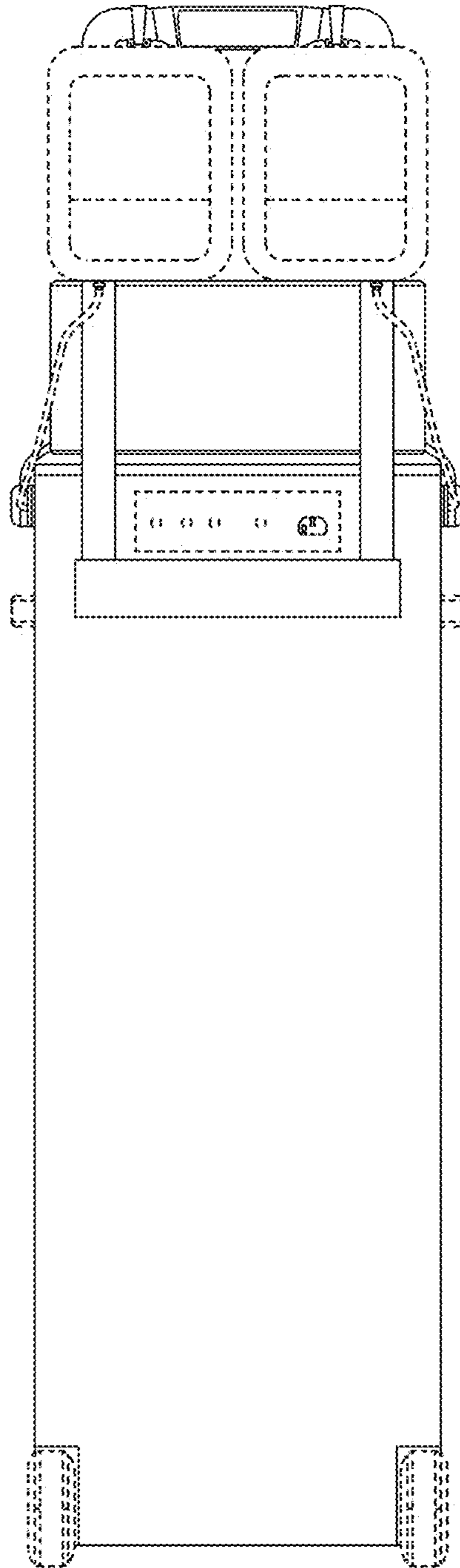


FIG. 11

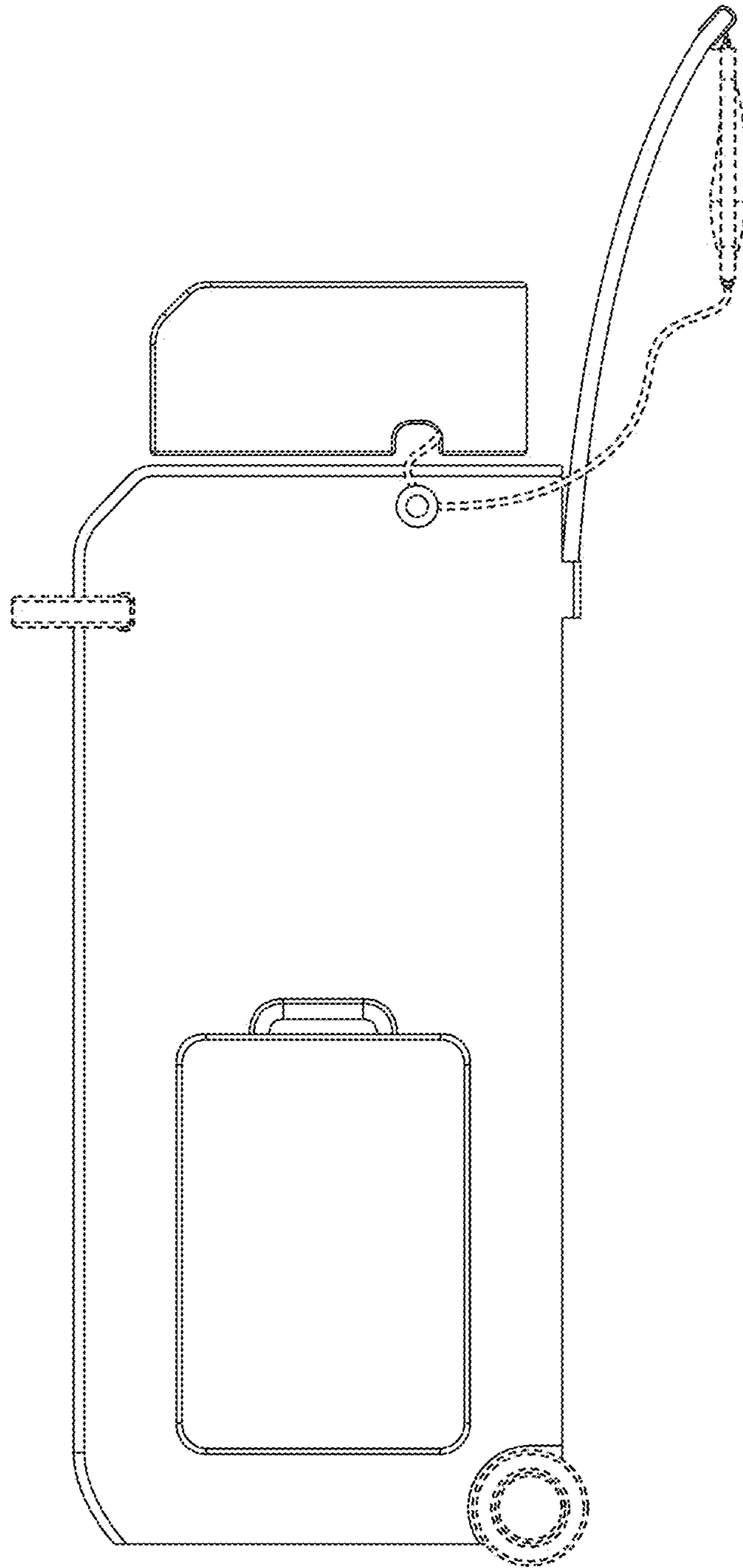


FIG. 12

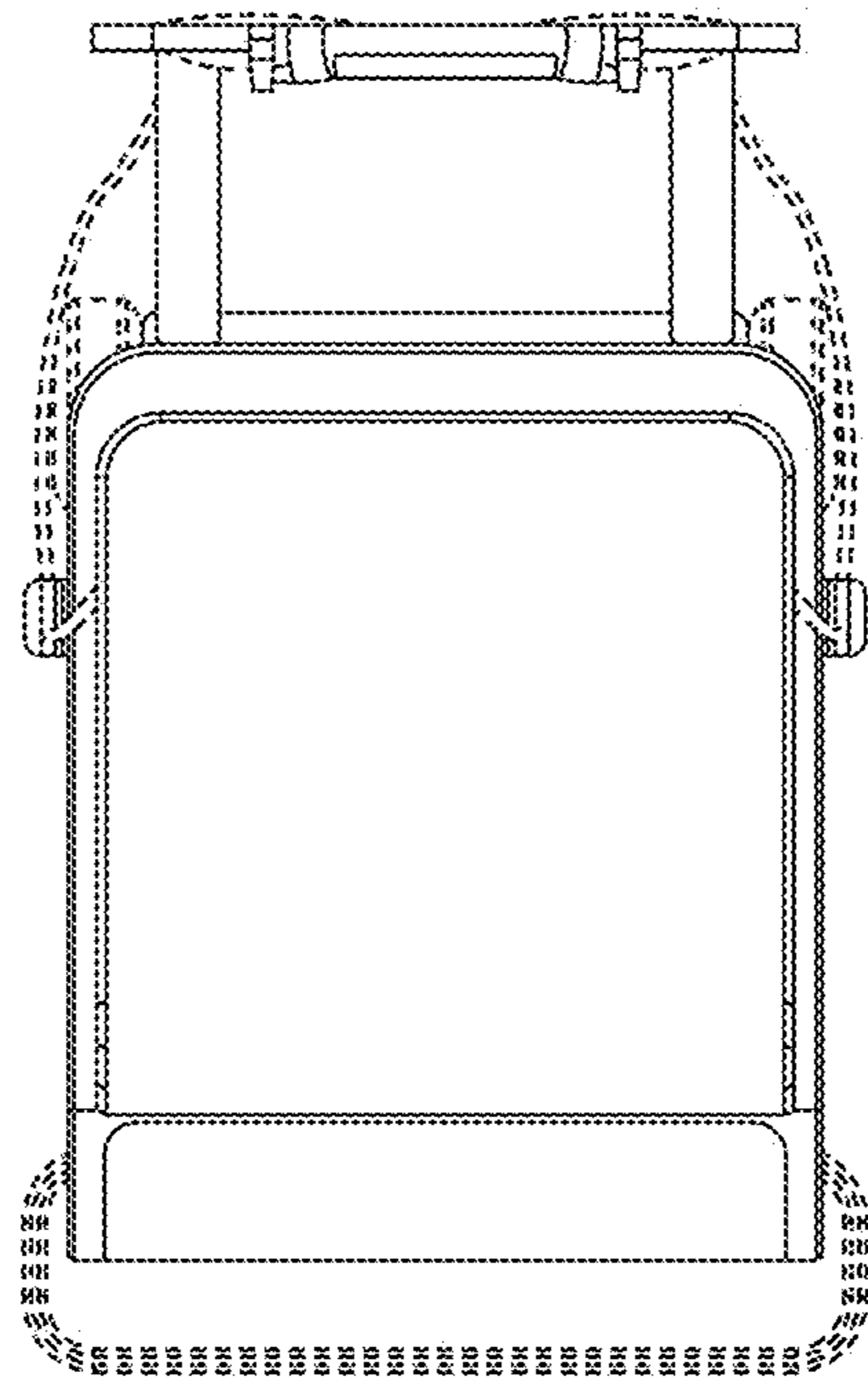


FIG. 13

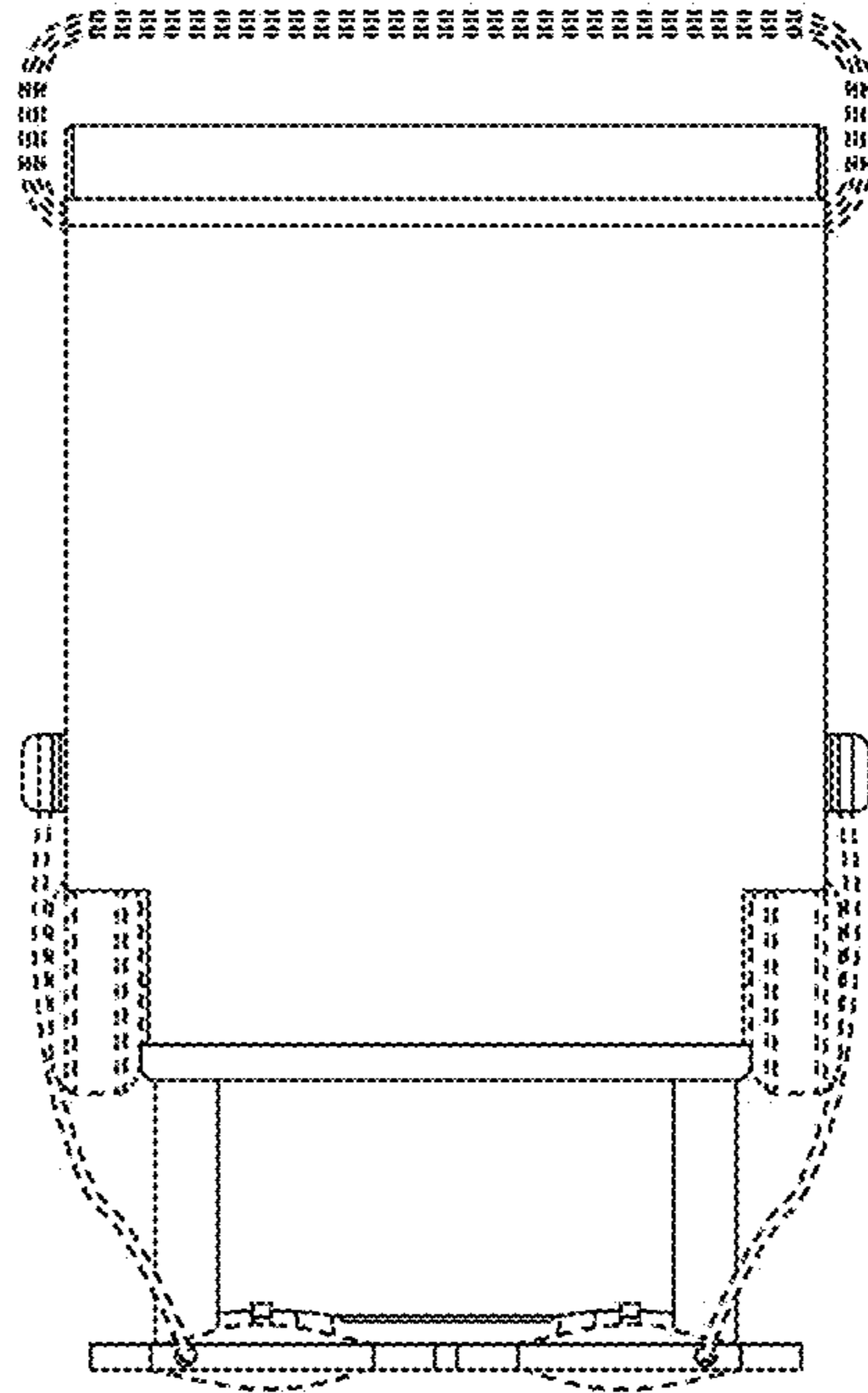


FIG. 14