



US00D767421S

(12) **United States Design Patent**  
**Hale**

(10) **Patent No.:** **US D767,421 S**  
(45) **Date of Patent:** **\*\* Sep. 27, 2016**

(54) **HANDHELD ALL-TERRAIN CHALKER**

(71) Applicant: **Jon Hale**, Alpine, CA (US)

(72) Inventor: **Jon Hale**, Alpine, CA (US)

(\*\*) Term: **15 Years**

(21) Appl. No.: **29/527,632**

(22) Filed: **May 20, 2015**

(51) **LOC (10) Cl.** ..... **10-04**

(52) **U.S. Cl.**  
USPC ..... **D10/70**

(58) **Field of Classification Search**  
USPC ..... D10/70; 33/32.2  
CPC ..... G01B 3/12  
See application file for complete search history.

(56) **References Cited**

U.S. PATENT DOCUMENTS

- 4,276,695 A \* 7/1981 Stansbury, Jr. .... G01B 3/12  
33/781
- D500,693 S \* 1/2005 Graef ..... D10/76
- D571,238 S \* 6/2008 Stervermer ..... D10/70
- 8,310,227 B2 \* 11/2012 Lai ..... G01B 3/12  
324/166
- D726,041 S \* 4/2015 Wojciechowski ..... D10/70

\* cited by examiner

*Primary Examiner* — Antoine D Davis

(74) *Attorney, Agent, or Firm* — Gary L. Eastman, Esq.

(57) **CLAIM**

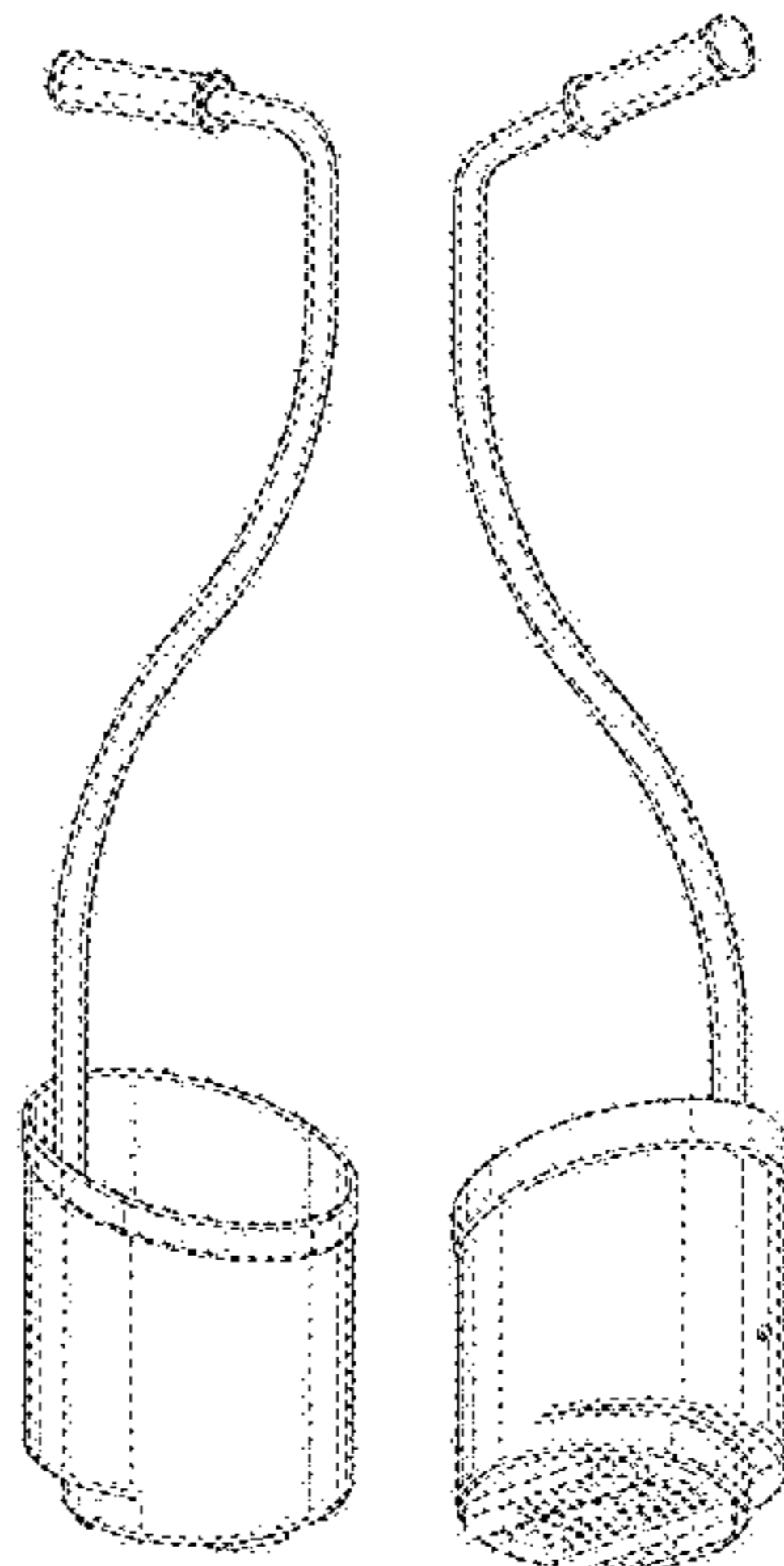
The ornamental design for a handheld all-terrain chalker, as shown and described.

**DESCRIPTION**

This application is related to, and claims the benefit of priority to U.S. patent application Ser. No. 14/537,074 entitled "Handheld All-Terrain Chalker," filed Nov. 10, 2014, and currently co-pending.

FIG. 1 is an exploded top-left perspective view of a handheld all-terrain chalker showing my new design;  
 FIG. 2 is an exploded bottom-left perspective view of the handheld all-terrain chalker;  
 FIG. 3 is a front exploded elevational view of the handheld all-terrain chalker;  
 FIG. 4 is a back exploded elevational view of the handheld all-terrain chalker;  
 FIG. 5 is a left side exploded elevational view of the handheld all-terrain chalker;  
 FIG. 6 is a right side exploded elevational view of the handheld all-terrain chalker;  
 FIG. 7 is a top plan exploded view of the handheld all-terrain chalker;  
 FIG. 8 is a bottom plan exploded view of the handheld all-terrain chalker;  
 FIG. 9 is a top-left perspective view of the handheld all-terrain;  
 FIG. 10 is a bottom right perspective view of the handheld all-terrain chalker;  
 FIG. 11 is a front elevational view of the handheld all-terrain chalker;  
 FIG. 12 is a back elevational view of the handheld all-terrain chalker;  
 FIG. 13 is a left side elevational view of the handheld all-terrain chalker;  
 FIG. 14 is a right side elevational view of the handheld all-terrain chalker;  
 FIG. 15 is a top plan view of the handheld all-terrain chalker with cross-sectional line **18-18**;  
 FIG. 16 is a bottom plan view of the handheld all-terrain chalker;  
 FIG. 17 is an exploded top-right perspective view of the handheld all-terrain chalker;  
 FIG. 18 is a cross-sectional view of the handheld all-terrain chalker; and,  
 FIG. 19 is a top-front perspective view of the handheld all-terrain chalker.  
 The article is shown with a symbolic break for ease of illustration of the claimed design.

**1 Claim, 17 Drawing Sheets**



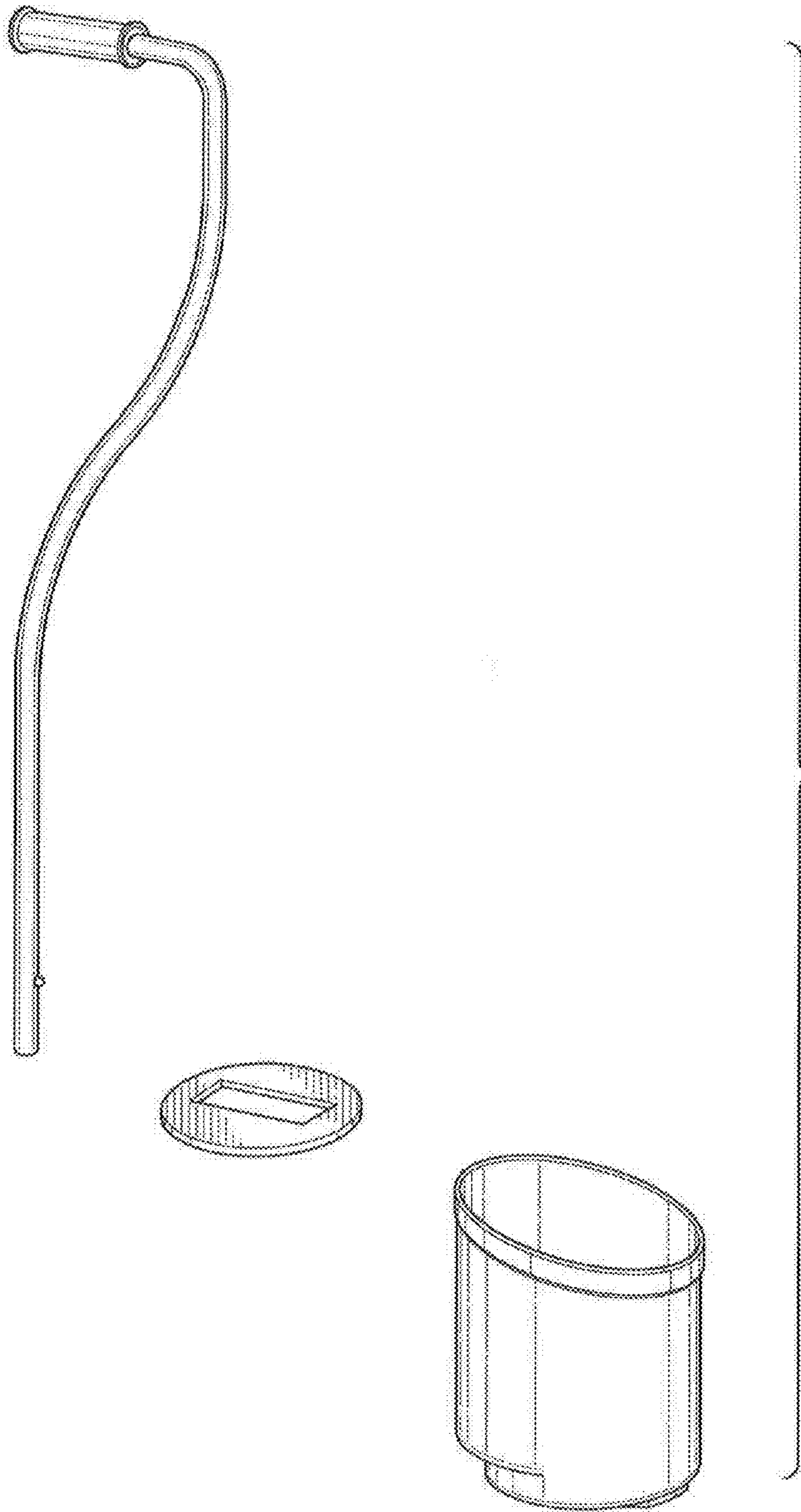


FIG. 1

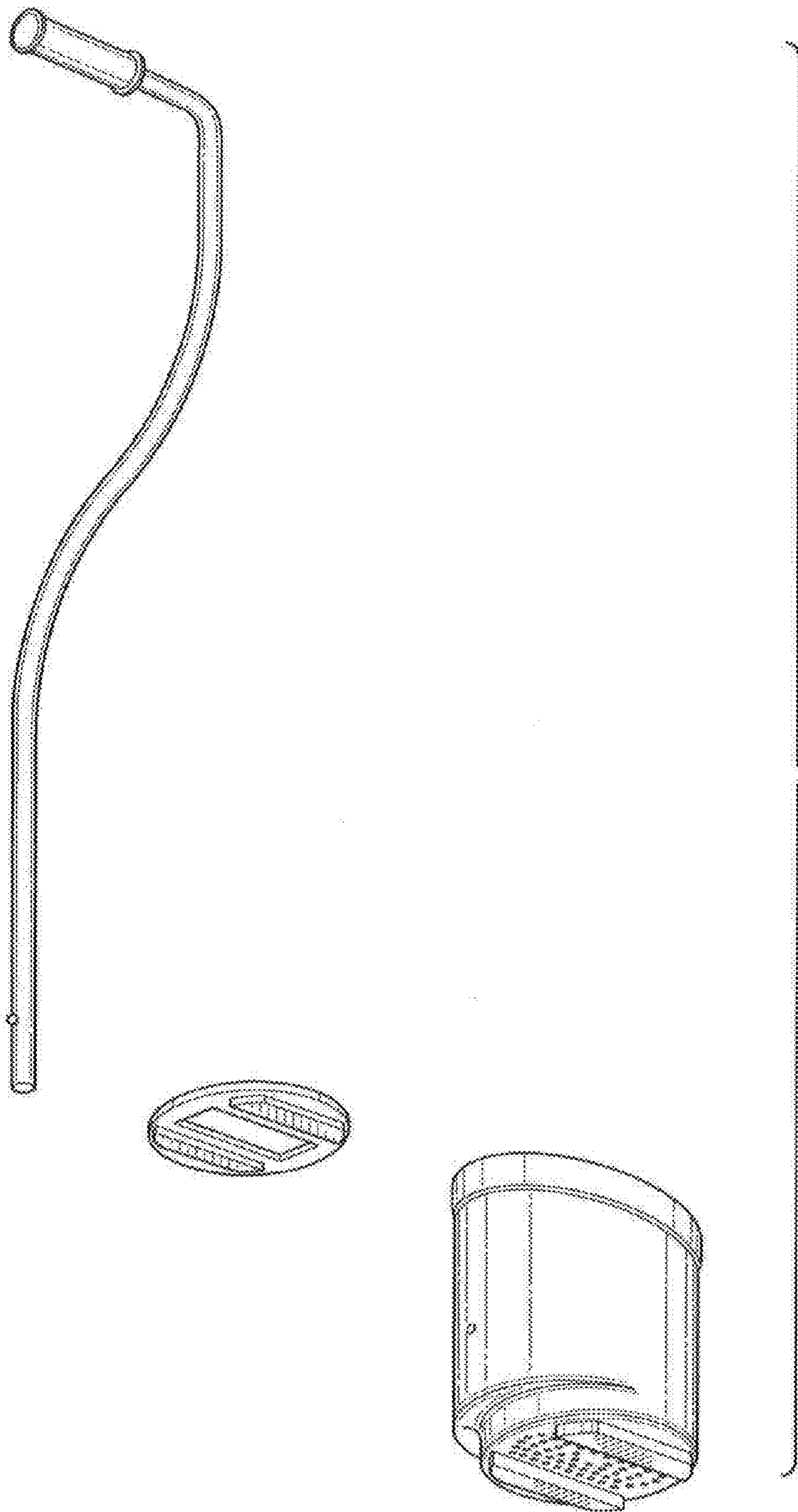


FIG. 2

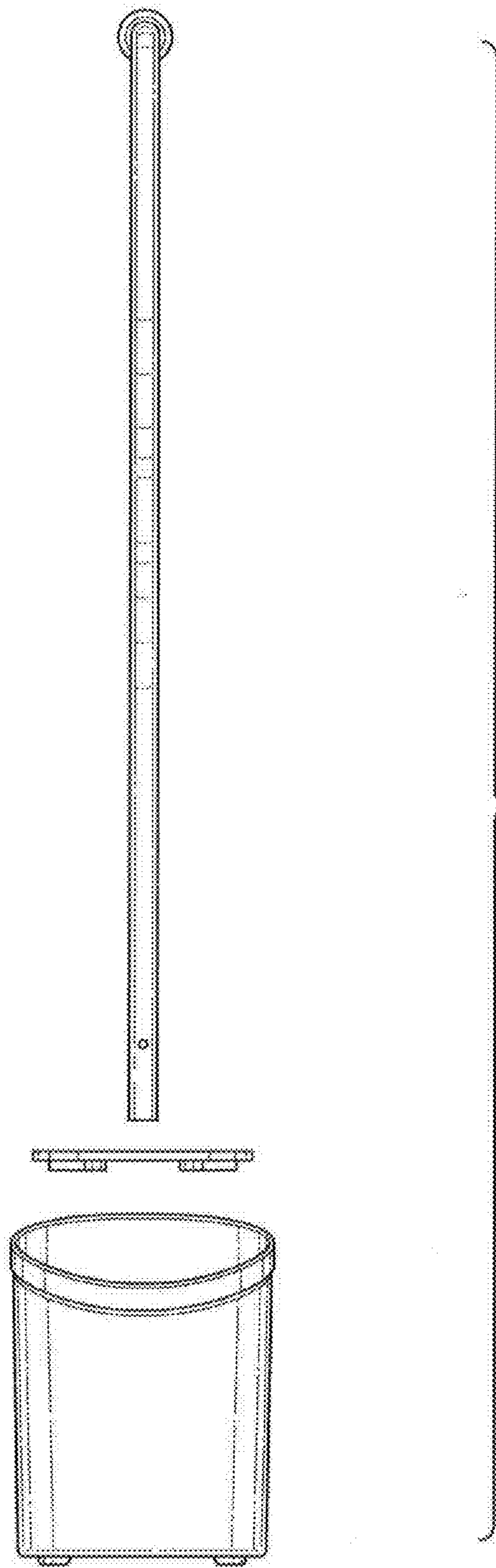


FIG. 3

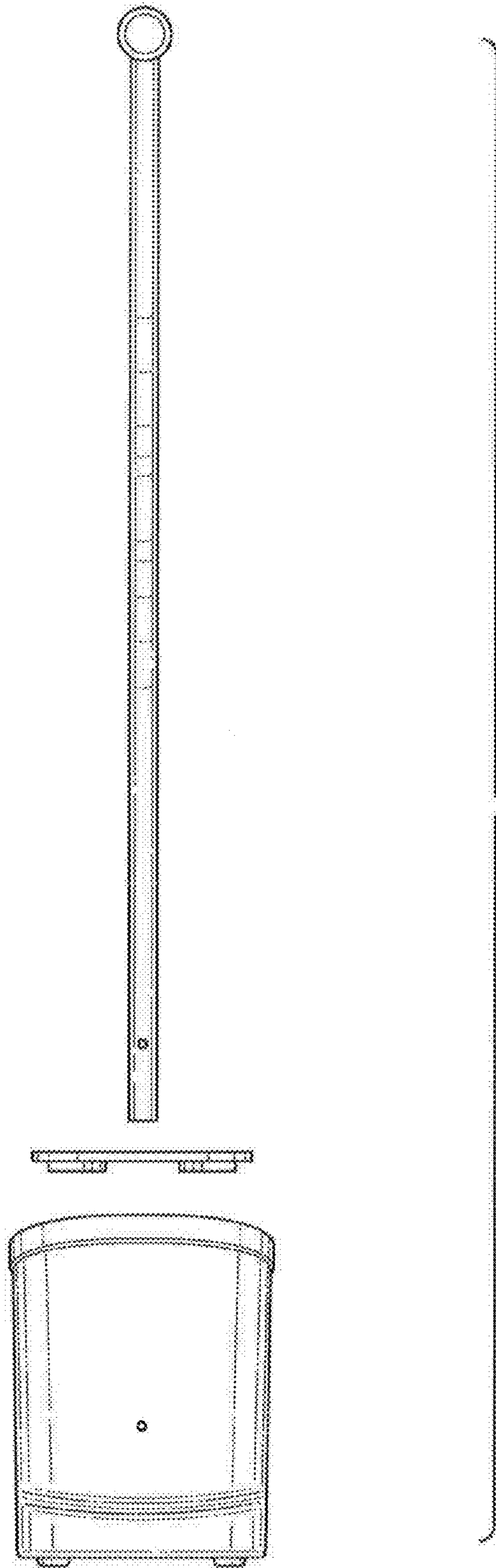


FIG. 4

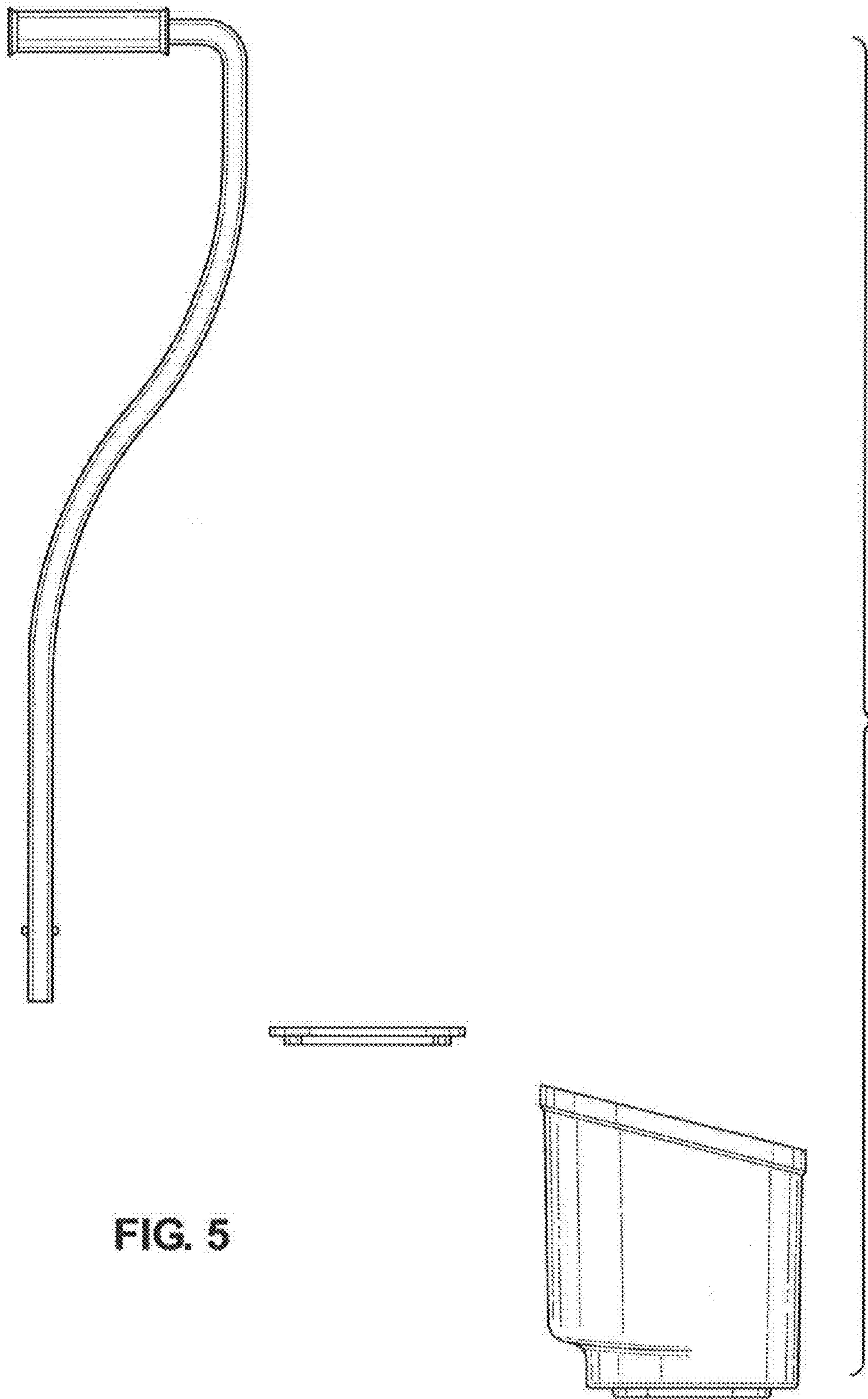


FIG. 5

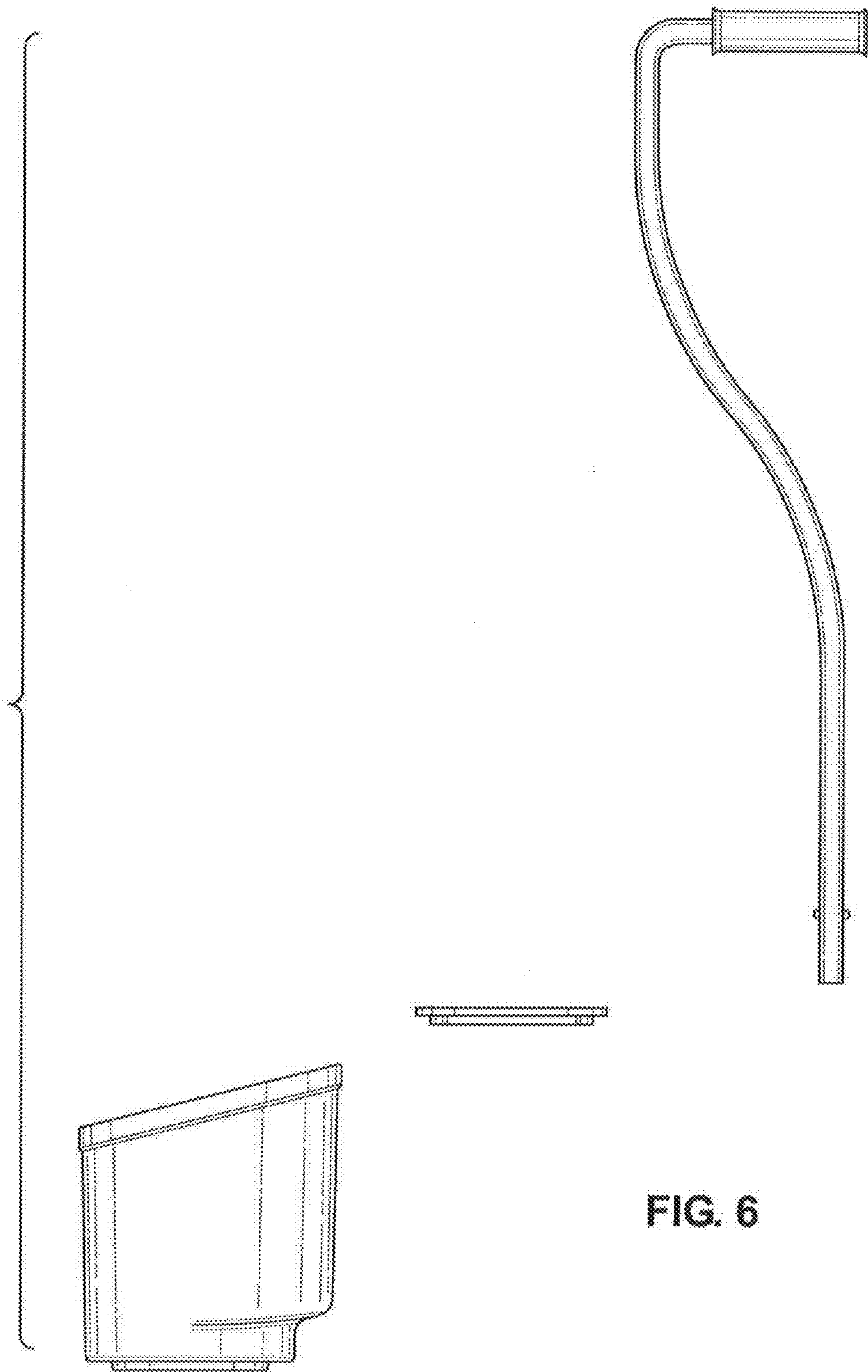
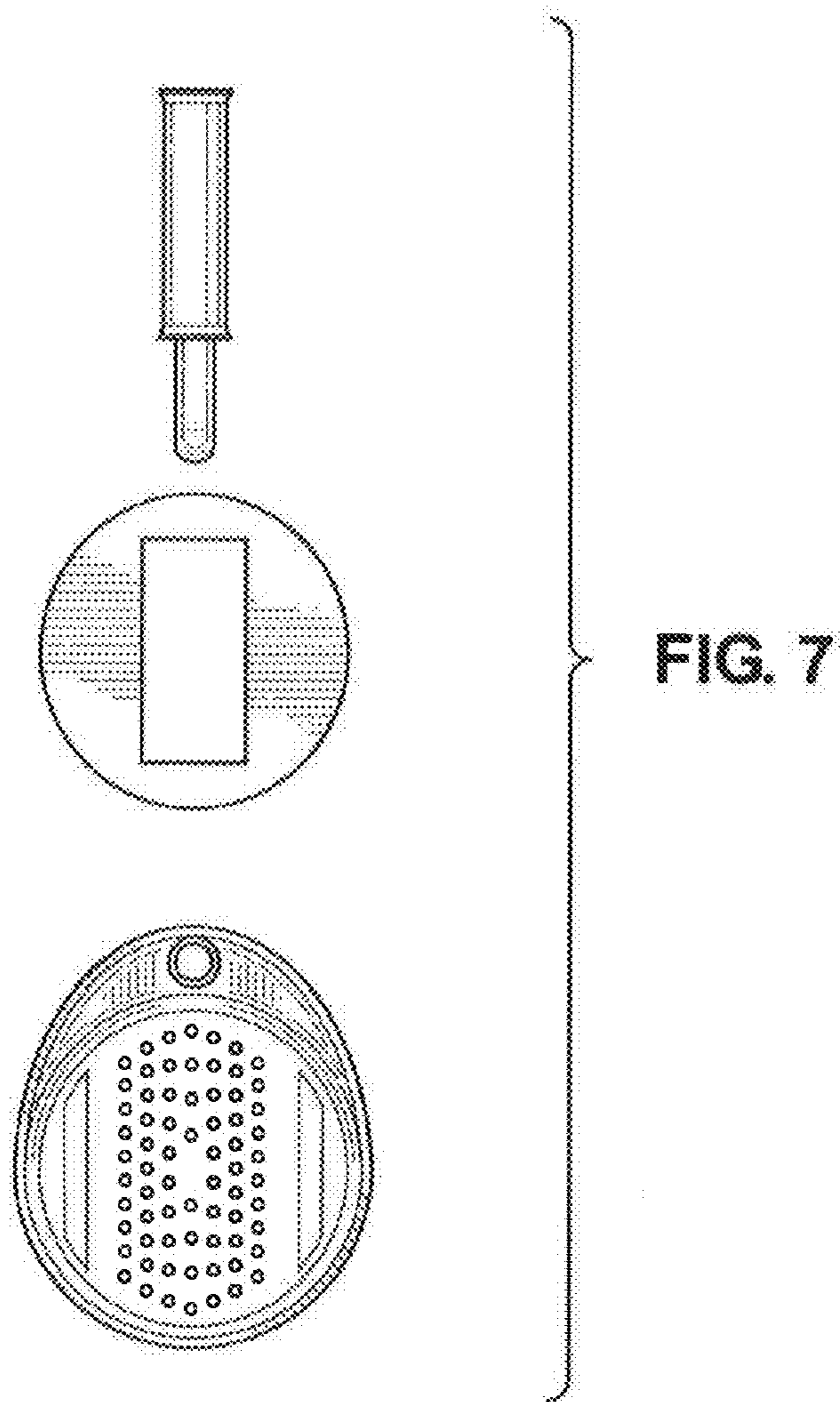
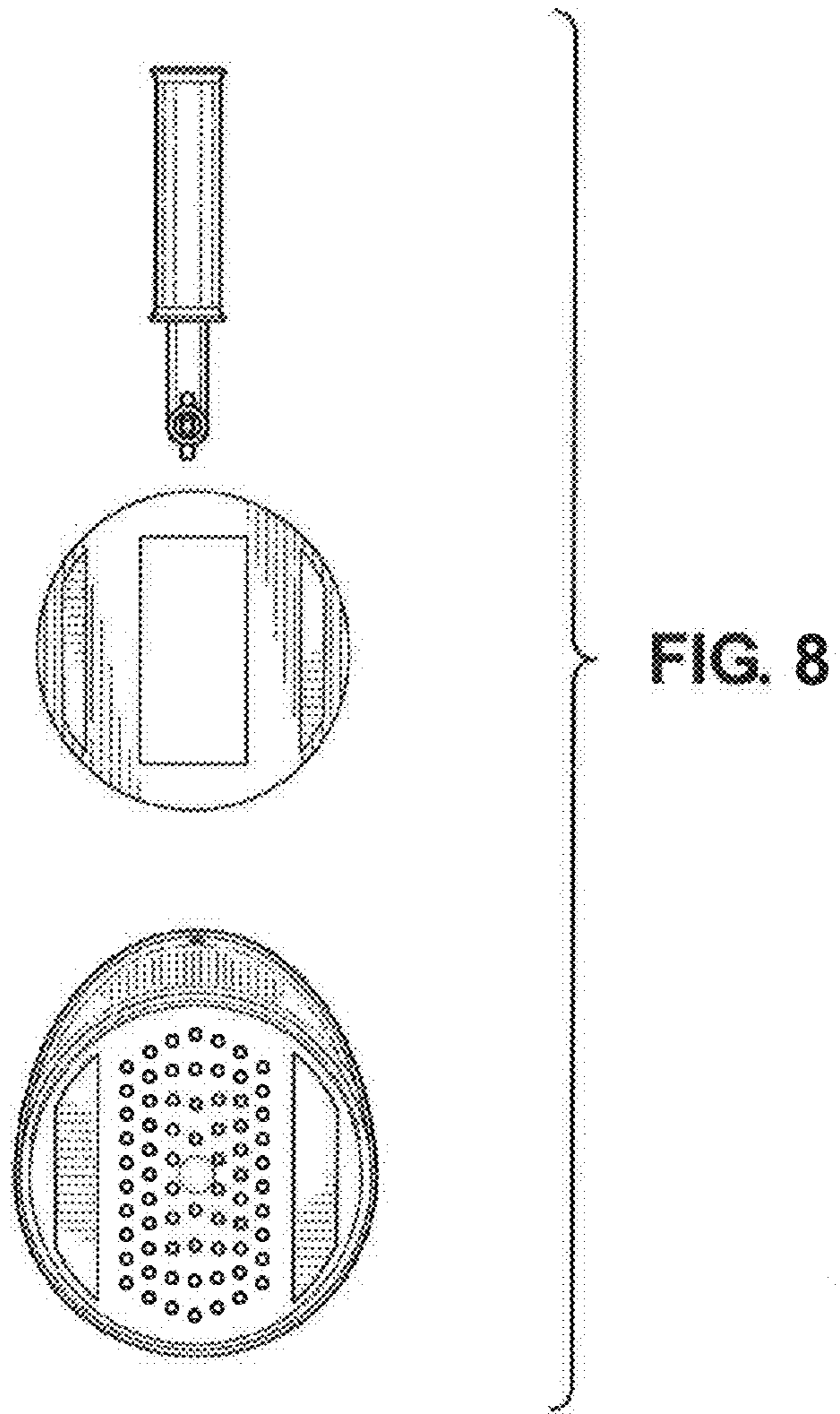


FIG. 6







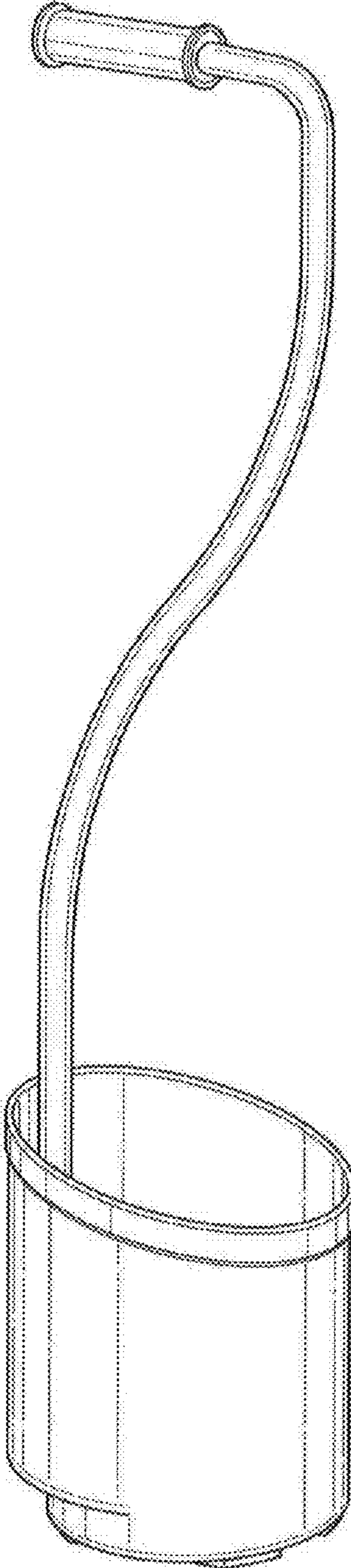


FIG. 9

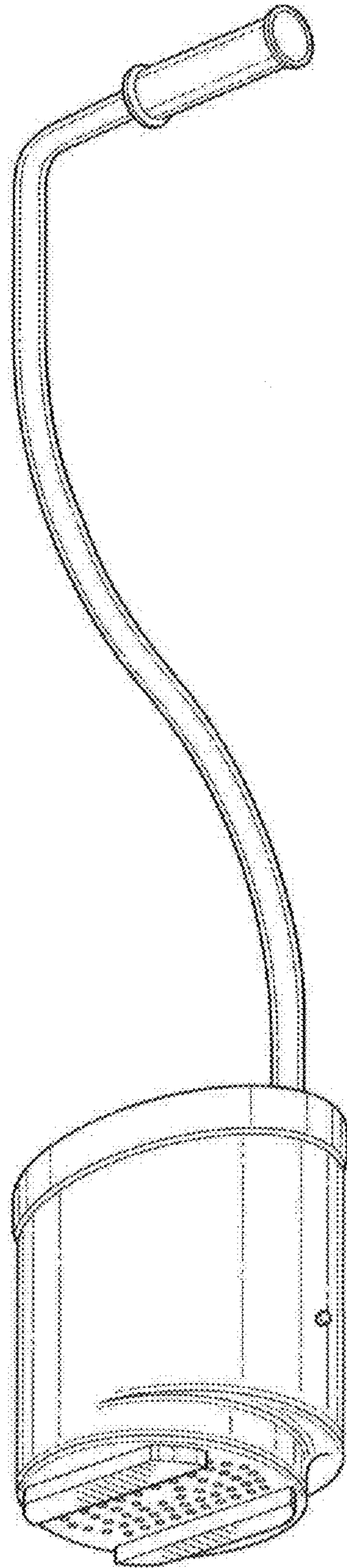


FIG. 10

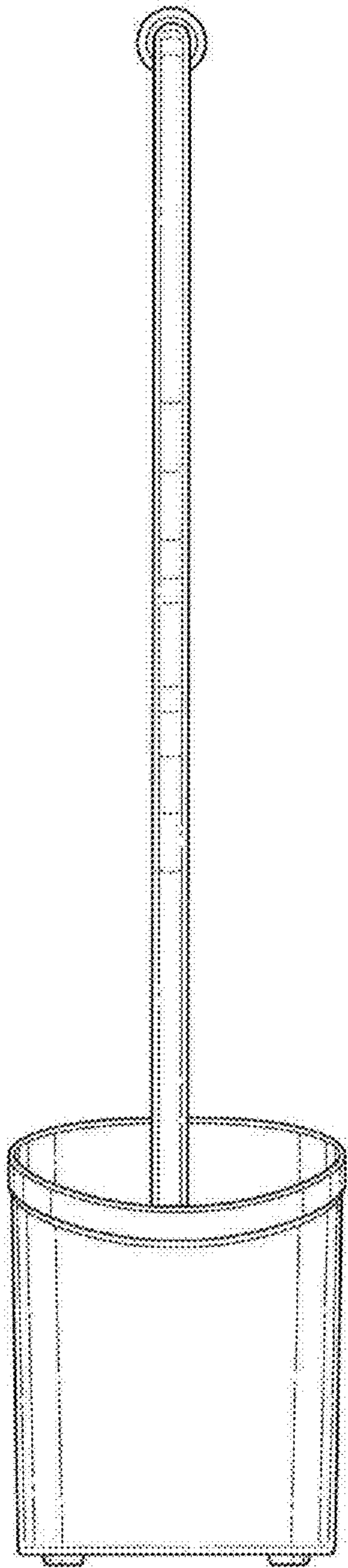


FIG. 11

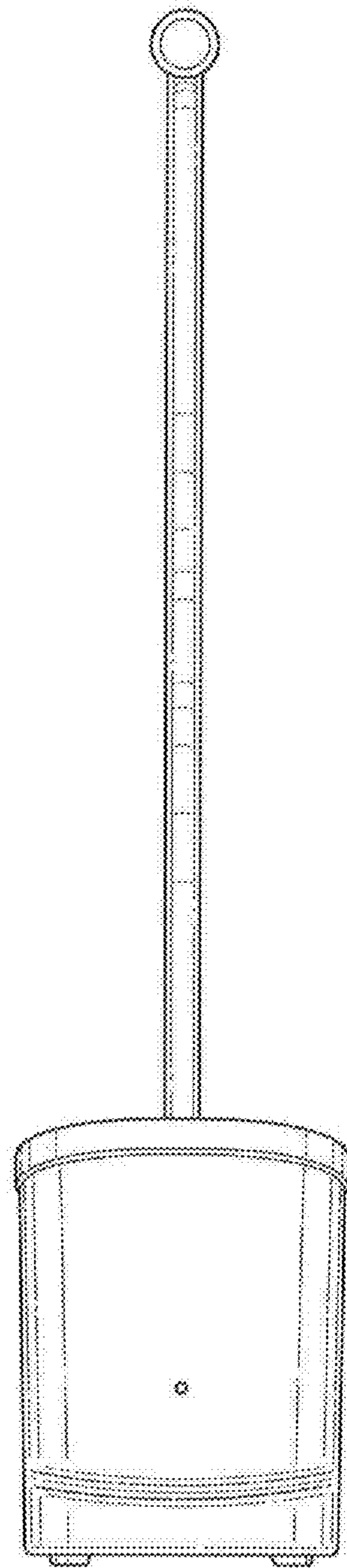


FIG. 12

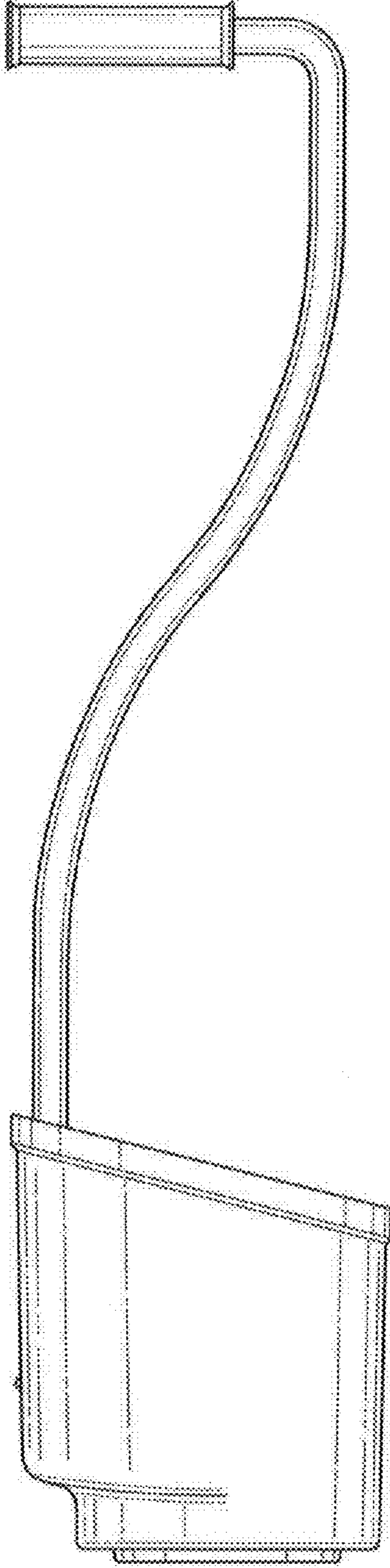


FIG. 13

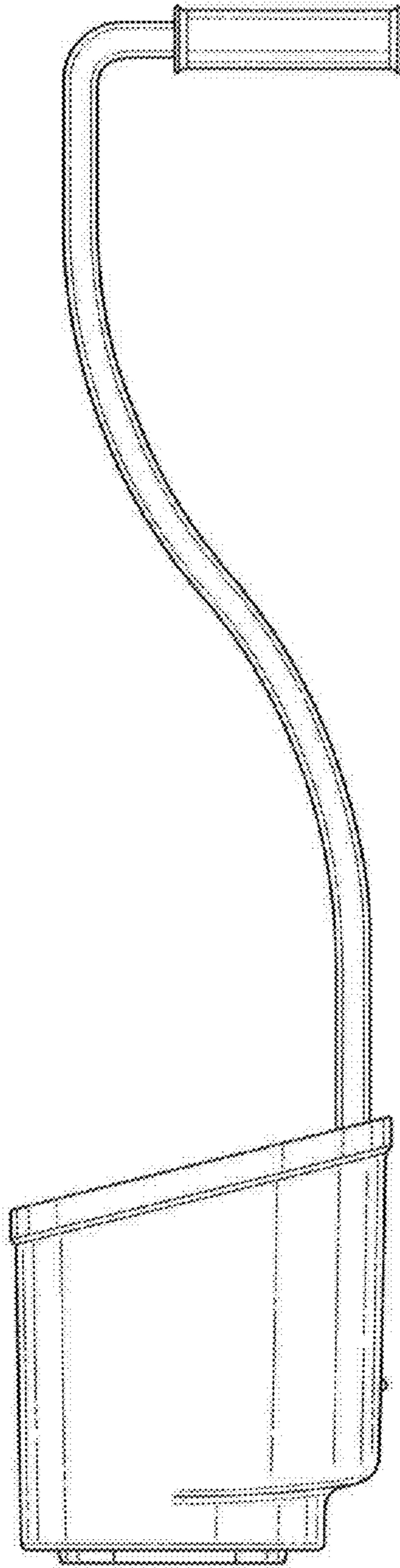


FIG. 14

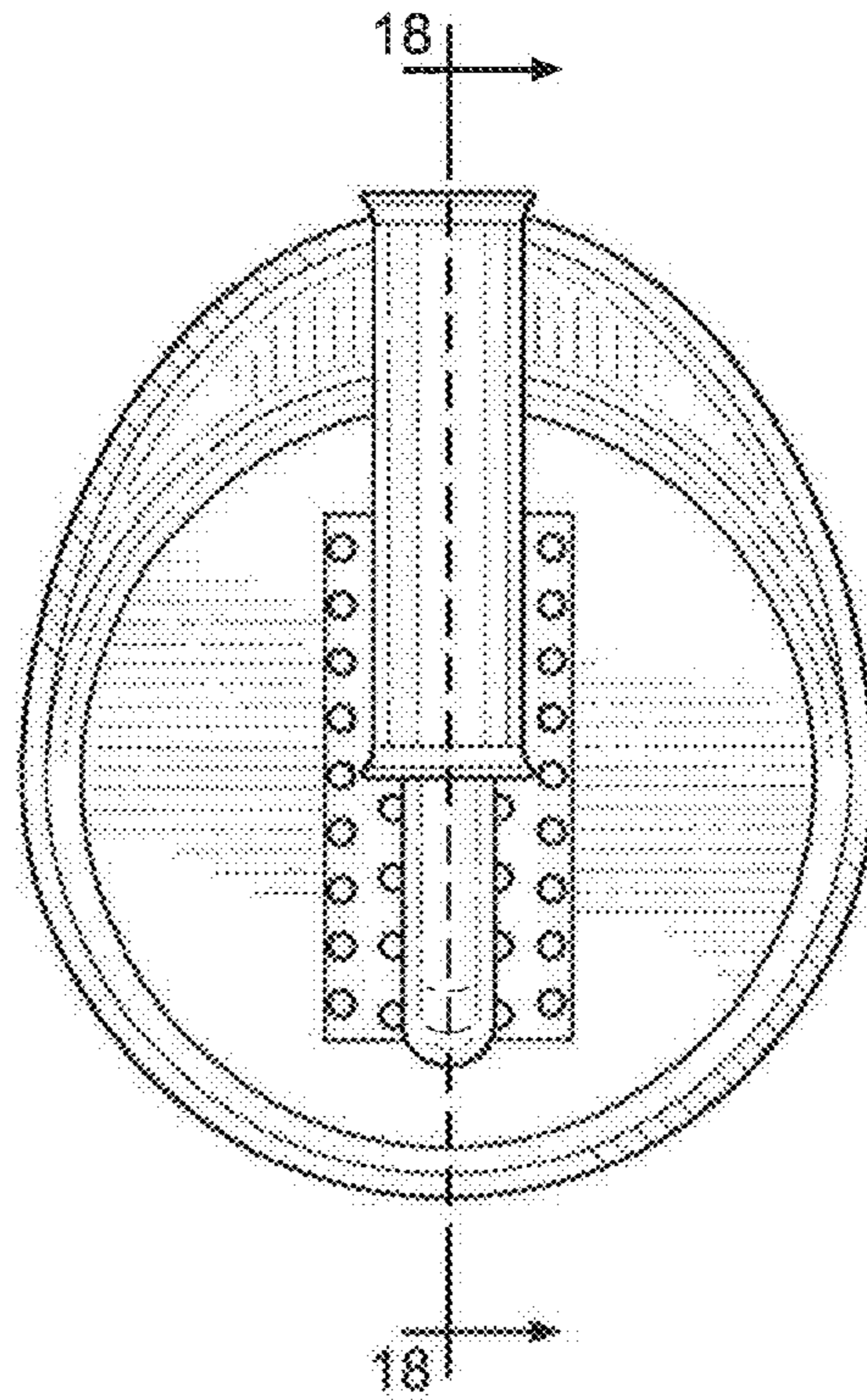


FIG. 15

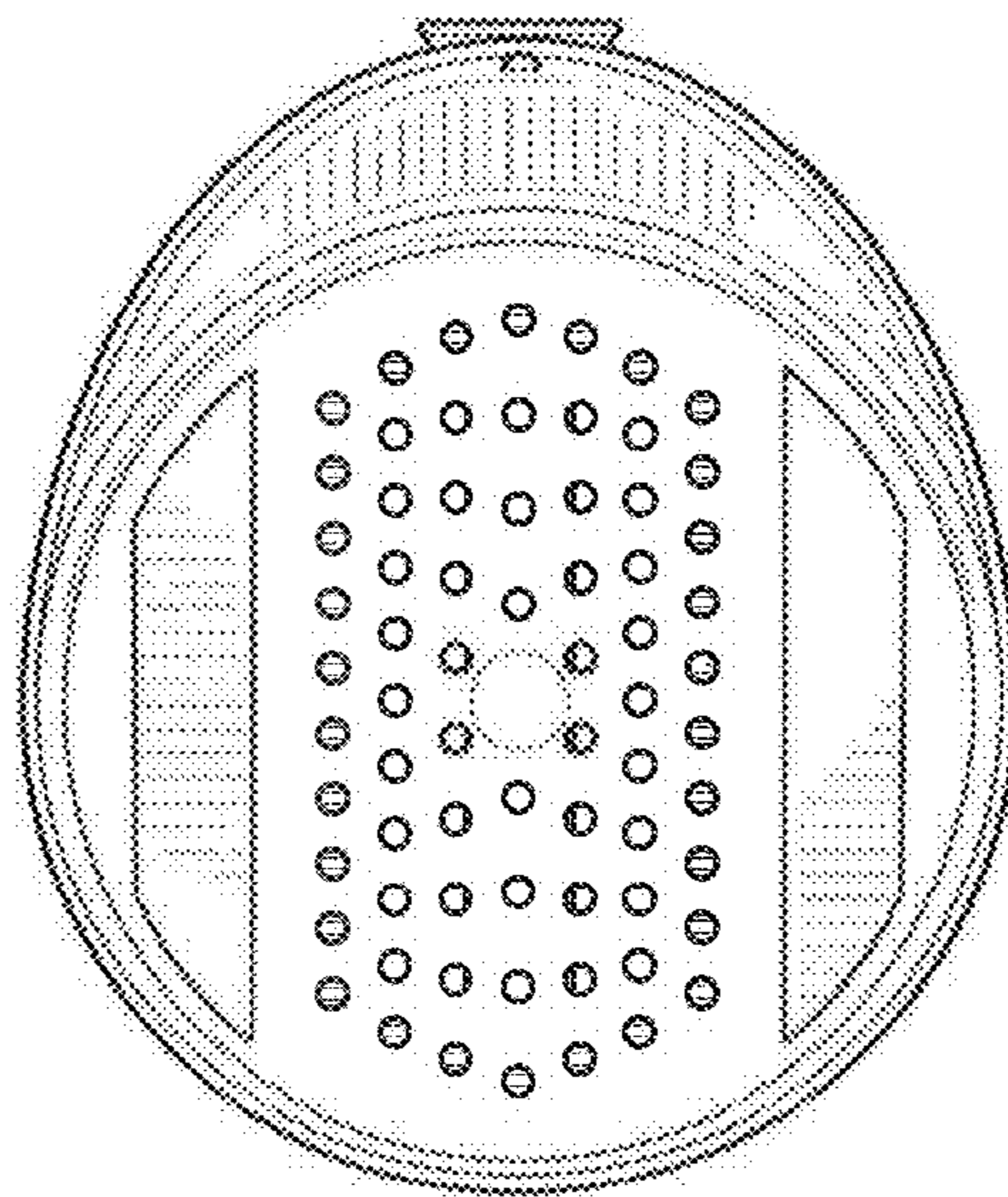


FIG. 16

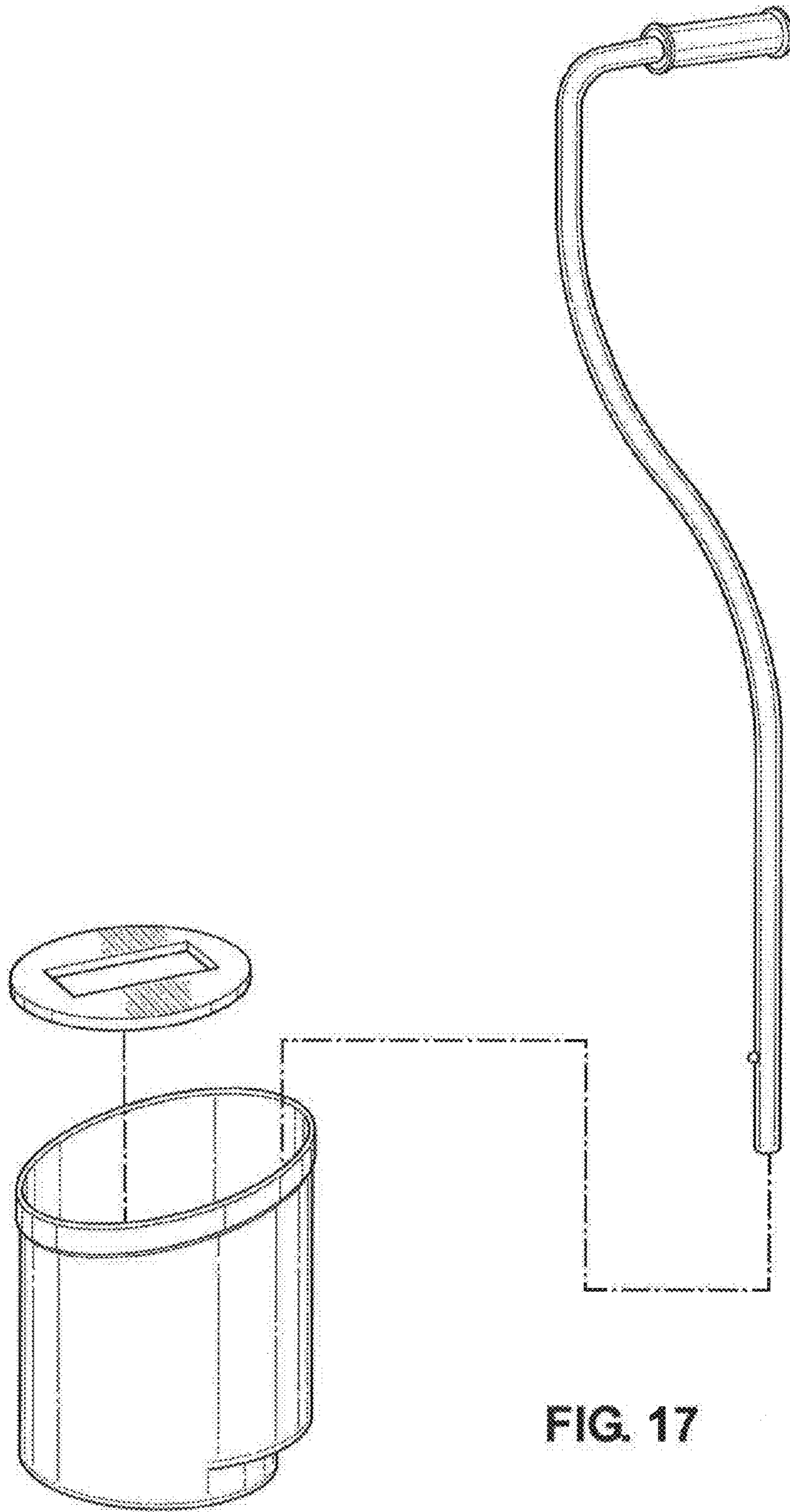


FIG. 17



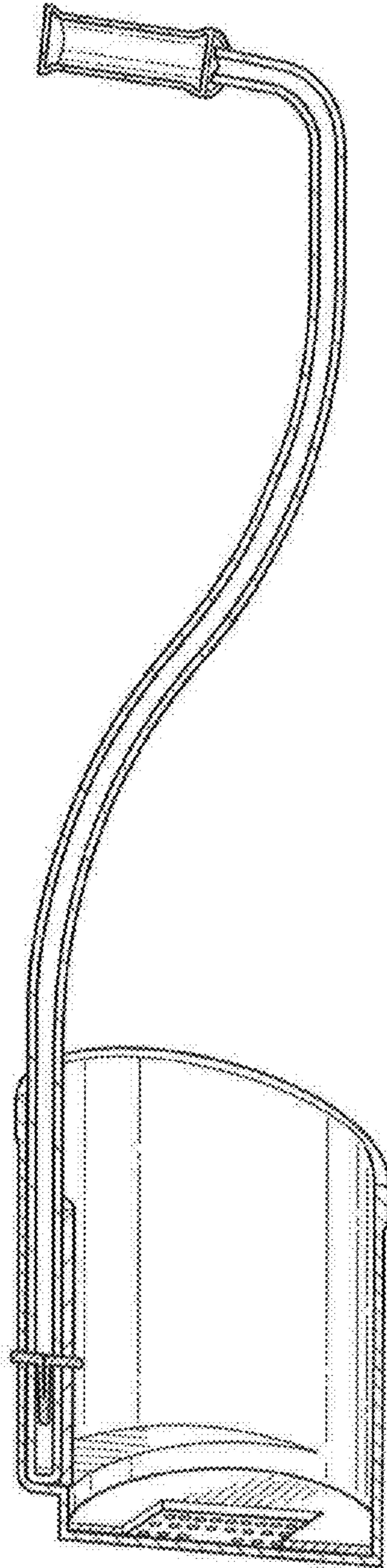


FIG. 18

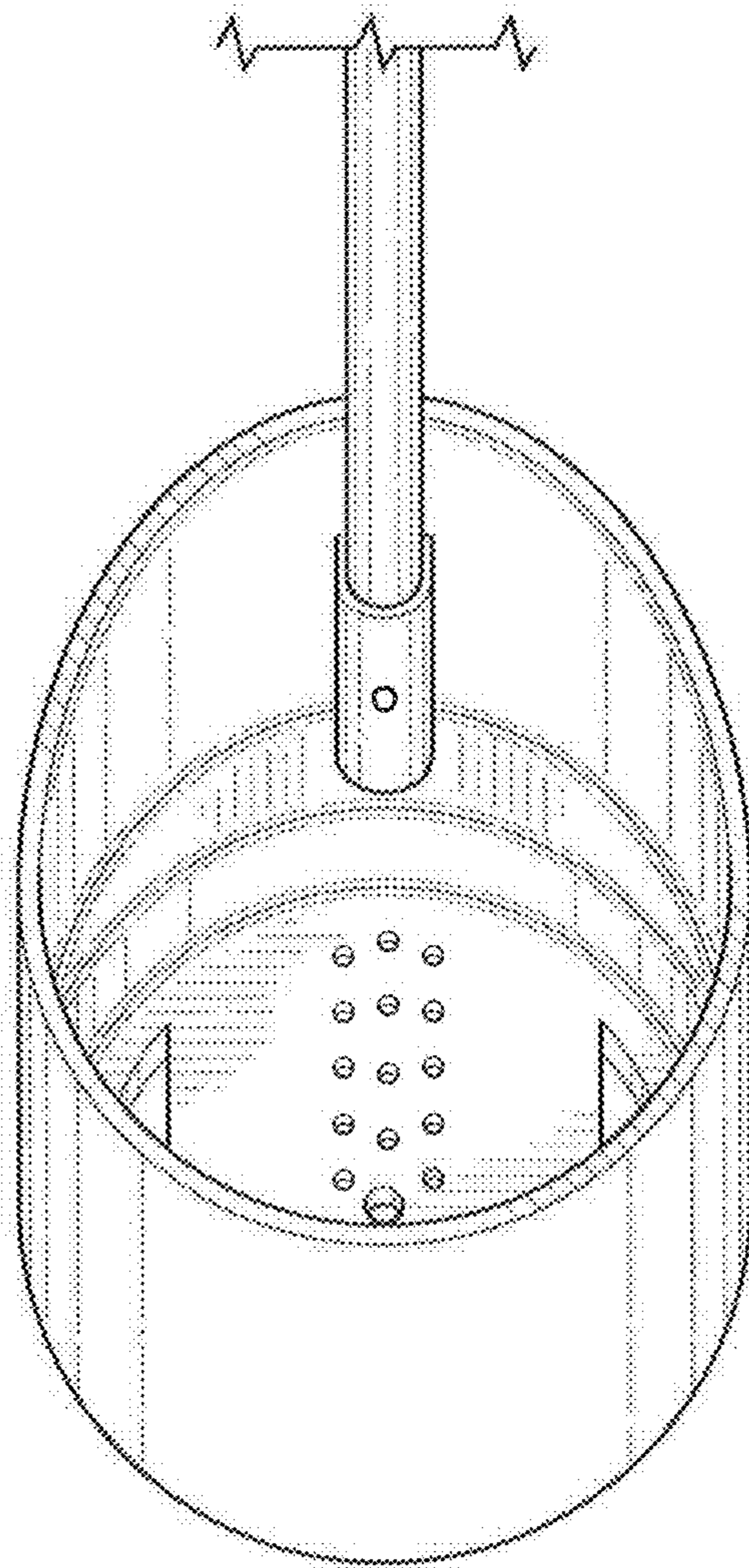


FIG. 19