

US00D767416S

(12) **United States Design Patent** (10) **Patent No.:** **US D767,416 S**
Yurman (45) **Date of Patent:** **** Sep. 27, 2016**

(54) **WRISTWATCH**

(56) **References Cited**

(71) Applicant: **DAVID YURMAN S.A.**, La
Chaux-de-Fonds (CH)

(72) Inventor: **David Yurman**, New York, NY (US)

(**) Term: **15 Years**

(21) Appl. No.: **35/500,218**

(22) Filed: **Jun. 26, 2015**

(80) **Hague Agreement Data**

Int. Filing Date: **Jun. 26, 2015**
Int. Reg. No.: **DM/087778**
Int. Reg. Date: **Jun. 26, 2015**
Int. Reg. Pub. Date: **Oct. 23, 2015**

(51) **LOC (10) Cl.** **10-02**

(52) **U.S. Cl.**
USPC **D10/38**

(58) **Field of Classification Search**
USPC D10/30-32, 38-39, 21-22, 126, 104.2;
D14/344
CPC G04C 1/00; G04G 9/00
See application file for complete search history.

U.S. PATENT DOCUMENTS

D747,978 S * 1/2016 Babcock D10/30
D747,979 S * 1/2016 Babcock D10/30
D751,550 S * 3/2016 Solomon D10/38

* cited by examiner

Primary Examiner — George D Kirschbaum
(74) *Attorney, Agent, or Firm* — McCarter & English, LLP

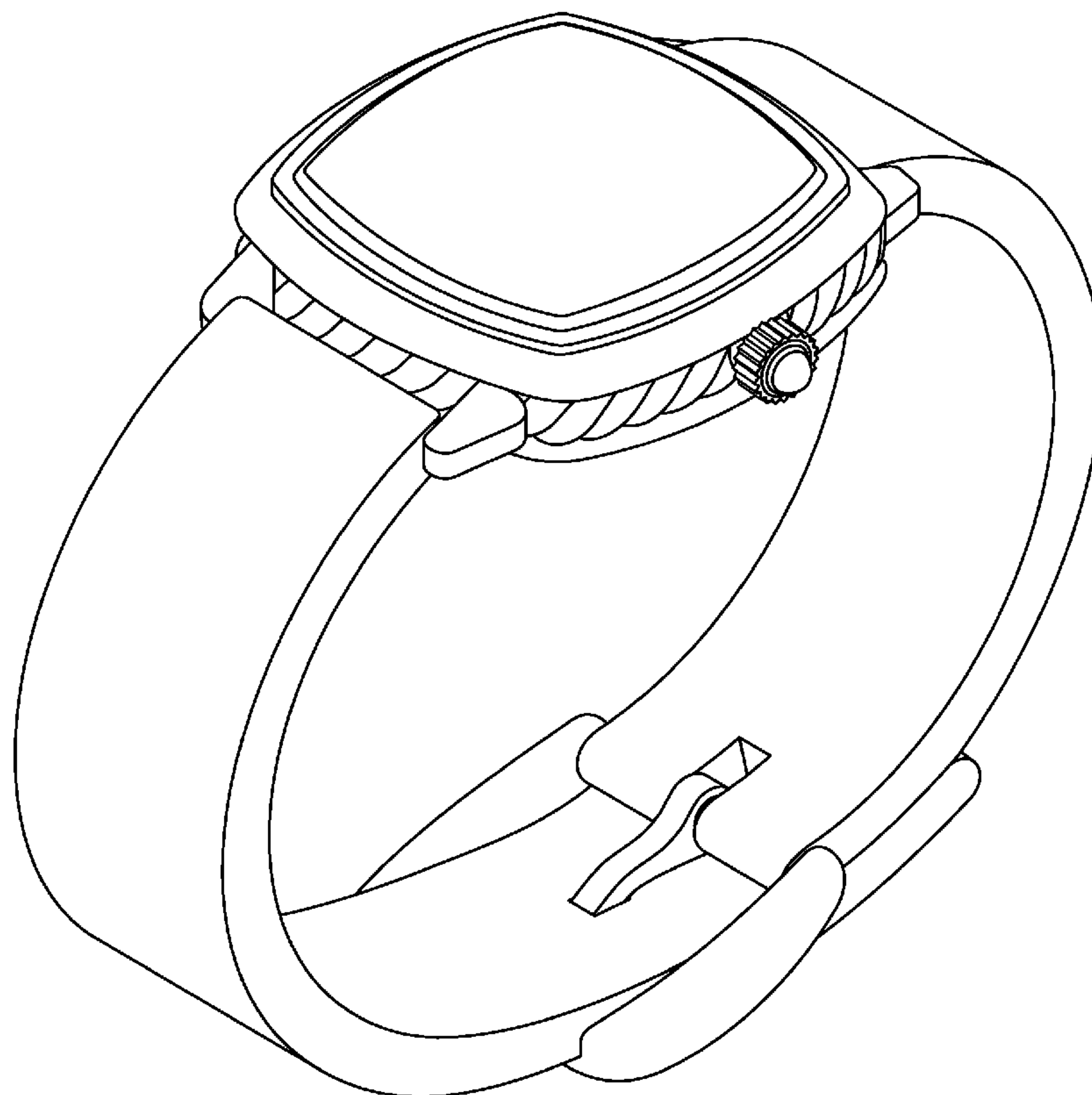
(57) **CLAIM**

The ornamental design for a wristwatch, as shown and described.

DESCRIPTION

1. Wristwatch
FIG. 1 is a perspective view of a wristwatch;
FIG. 2 shows a top plan view thereof;
FIG. 3 shows a right side elevation view thereof;
FIG. 4 shows a left side elevation view thereof;
FIG. 5 shows a rear elevation view thereof;
FIG. 6 shows a front elevation view thereof;
FIG. 7 shows a top plan view thereof; and
FIG. 8 shows a bottom plan view thereof.

1 Claim, 8 Drawing Sheets



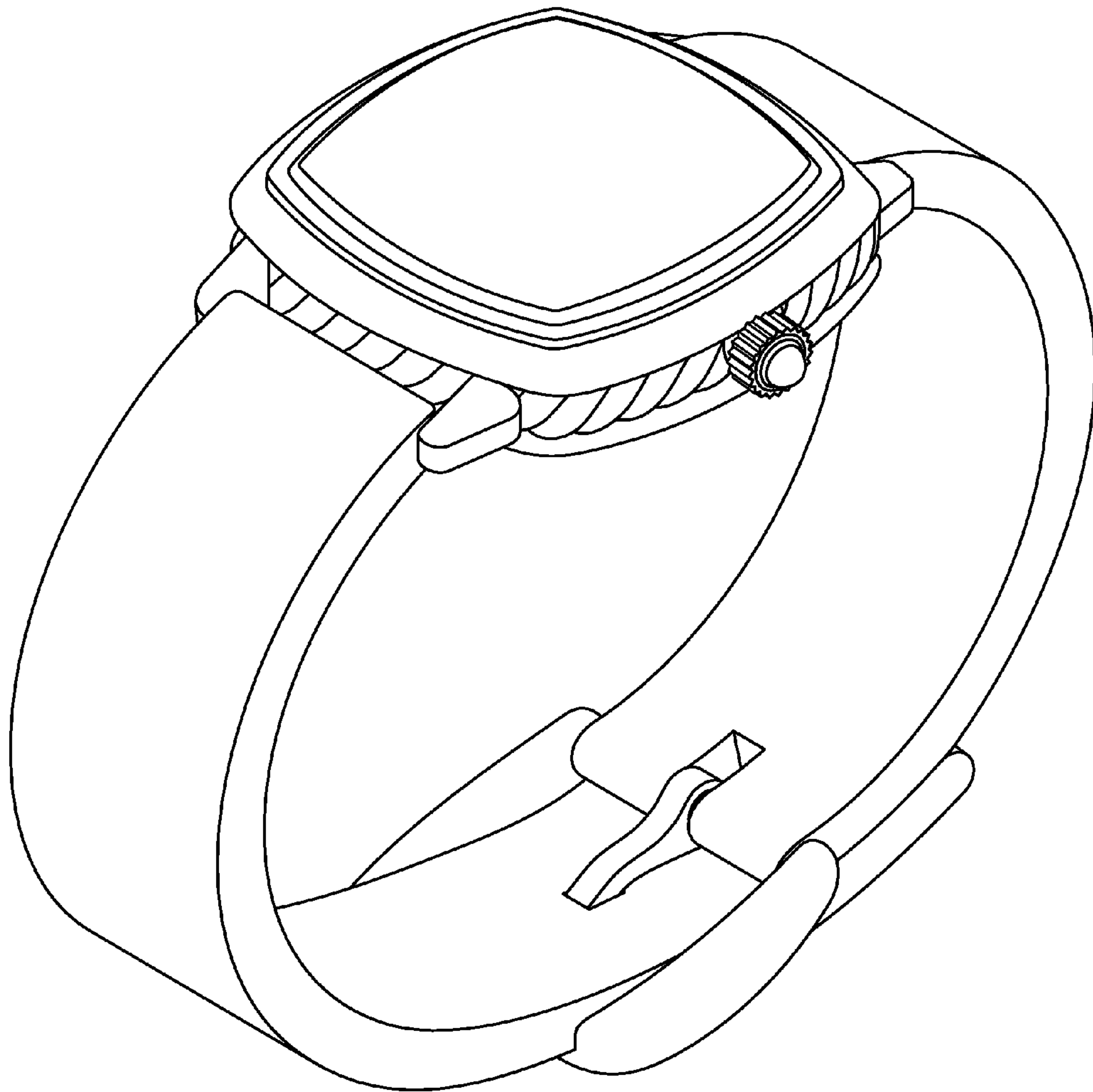


FIG. 1

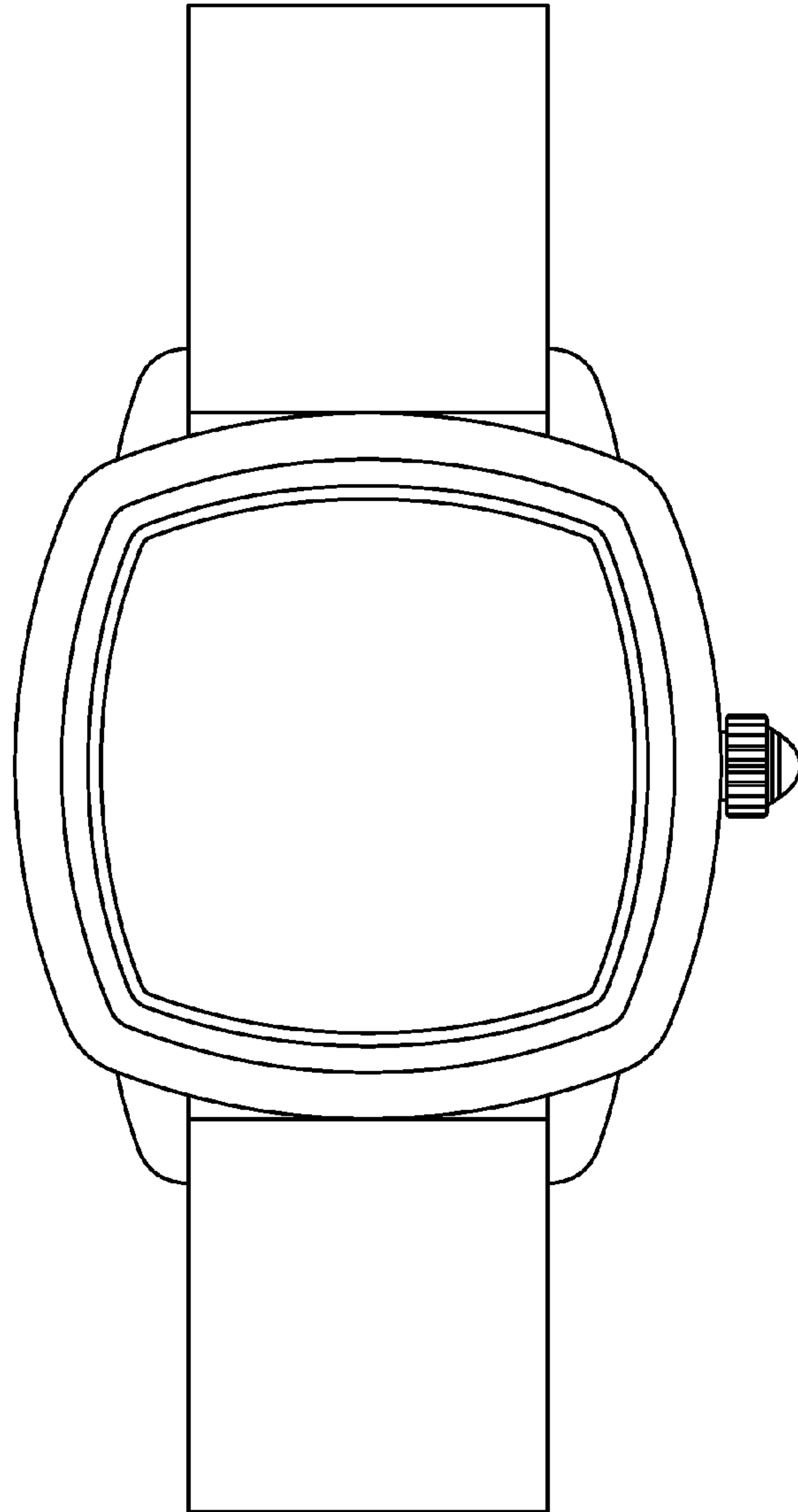


FIG. 2

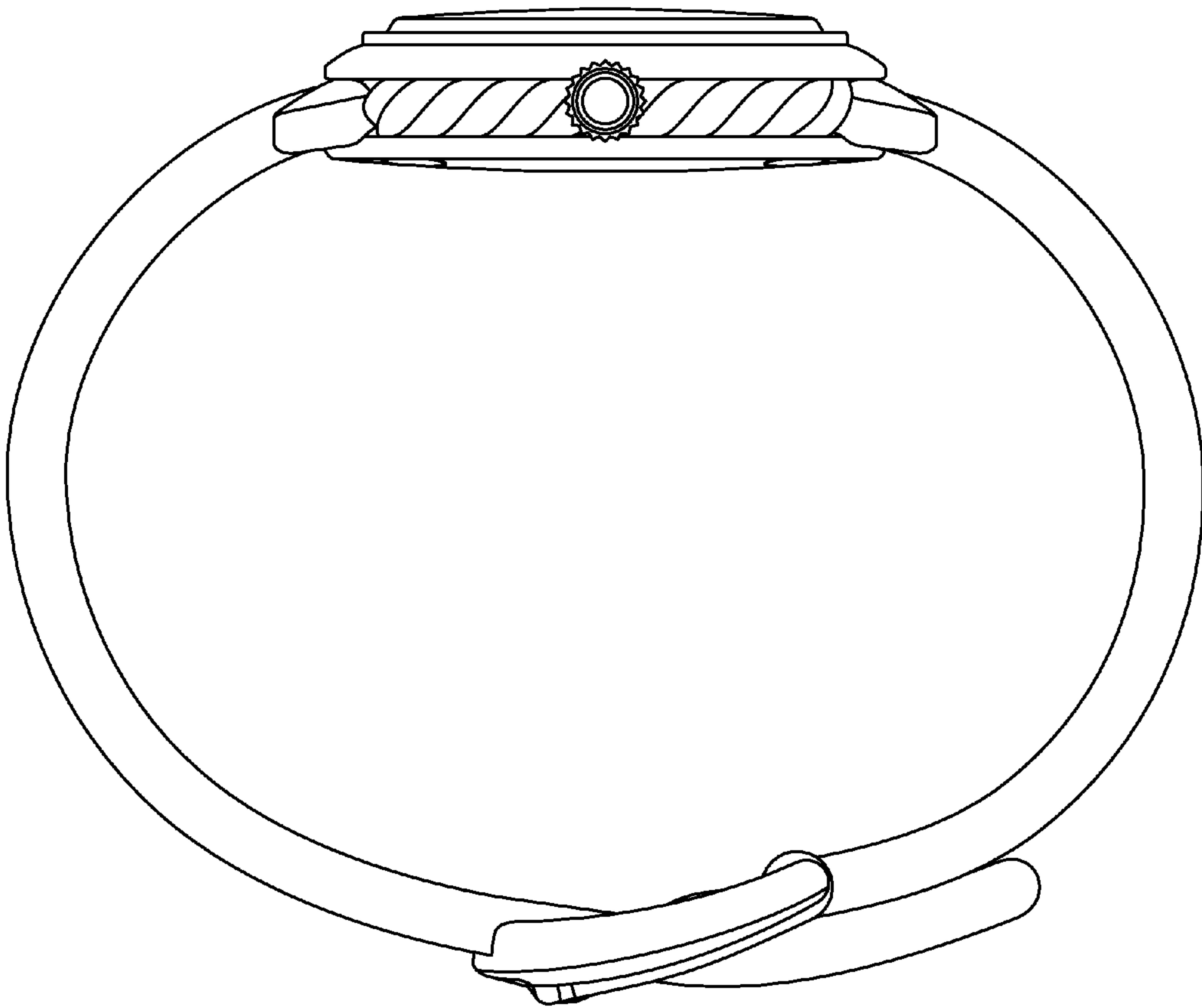


FIG. 3

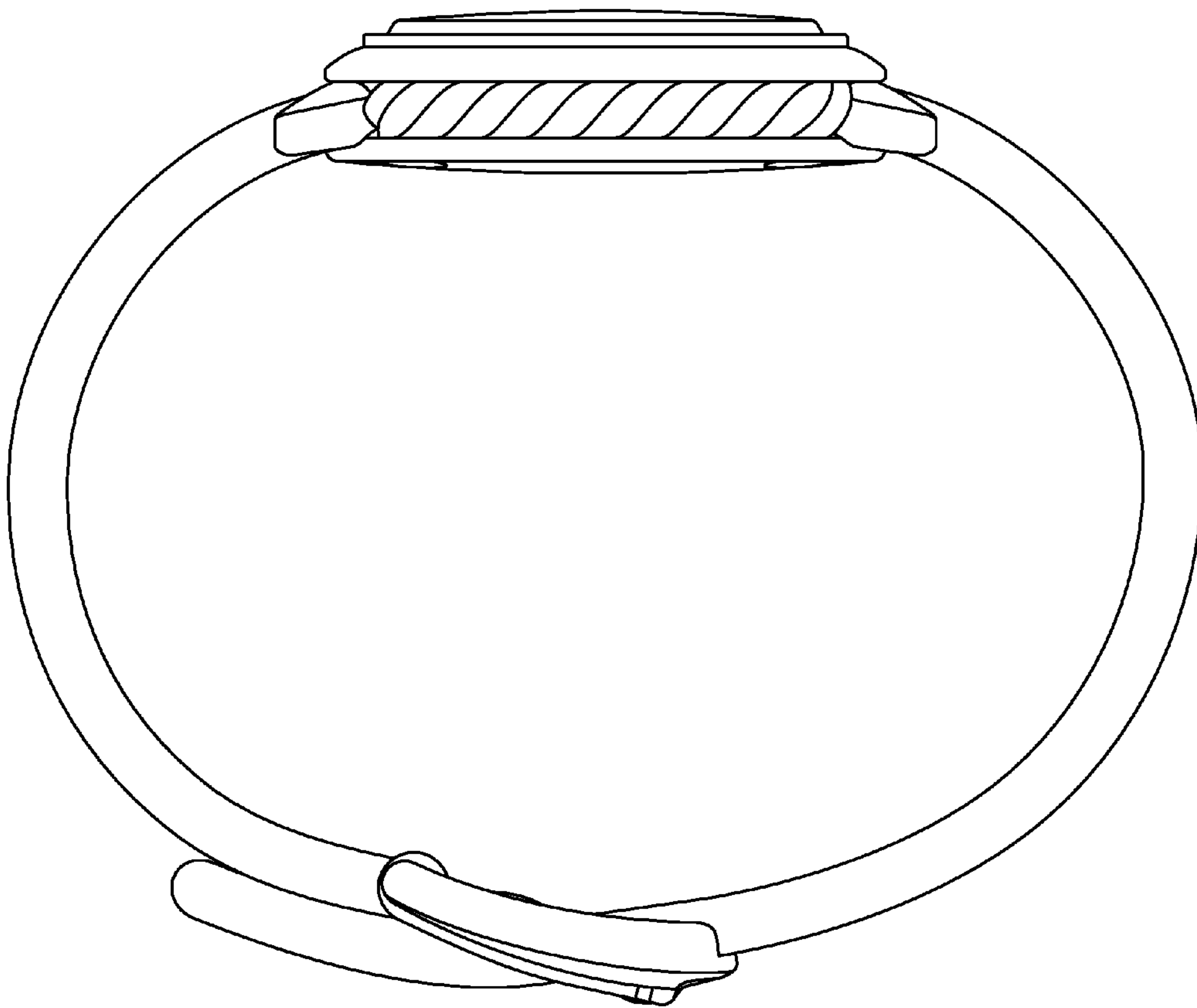


FIG. 4

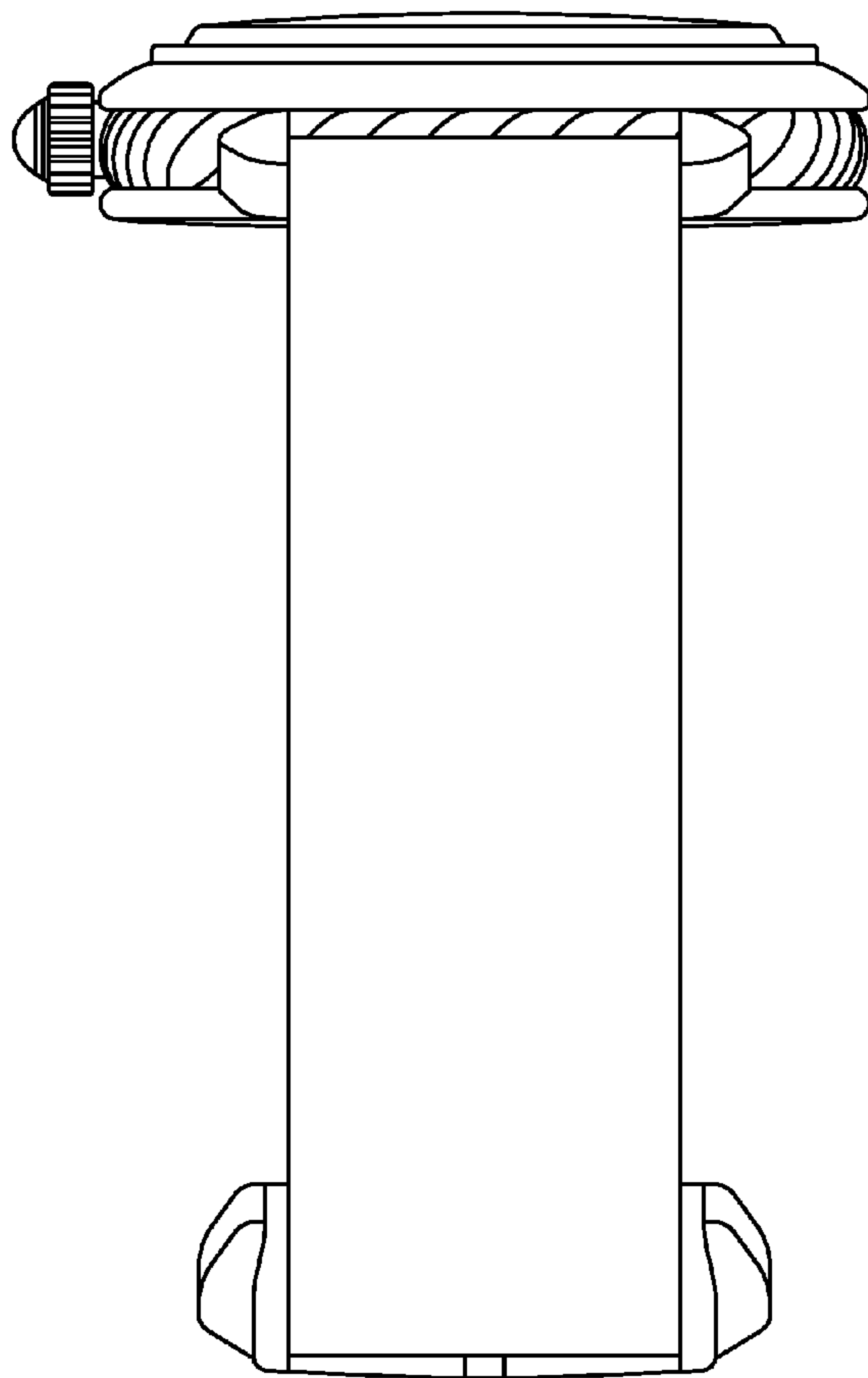


FIG. 5

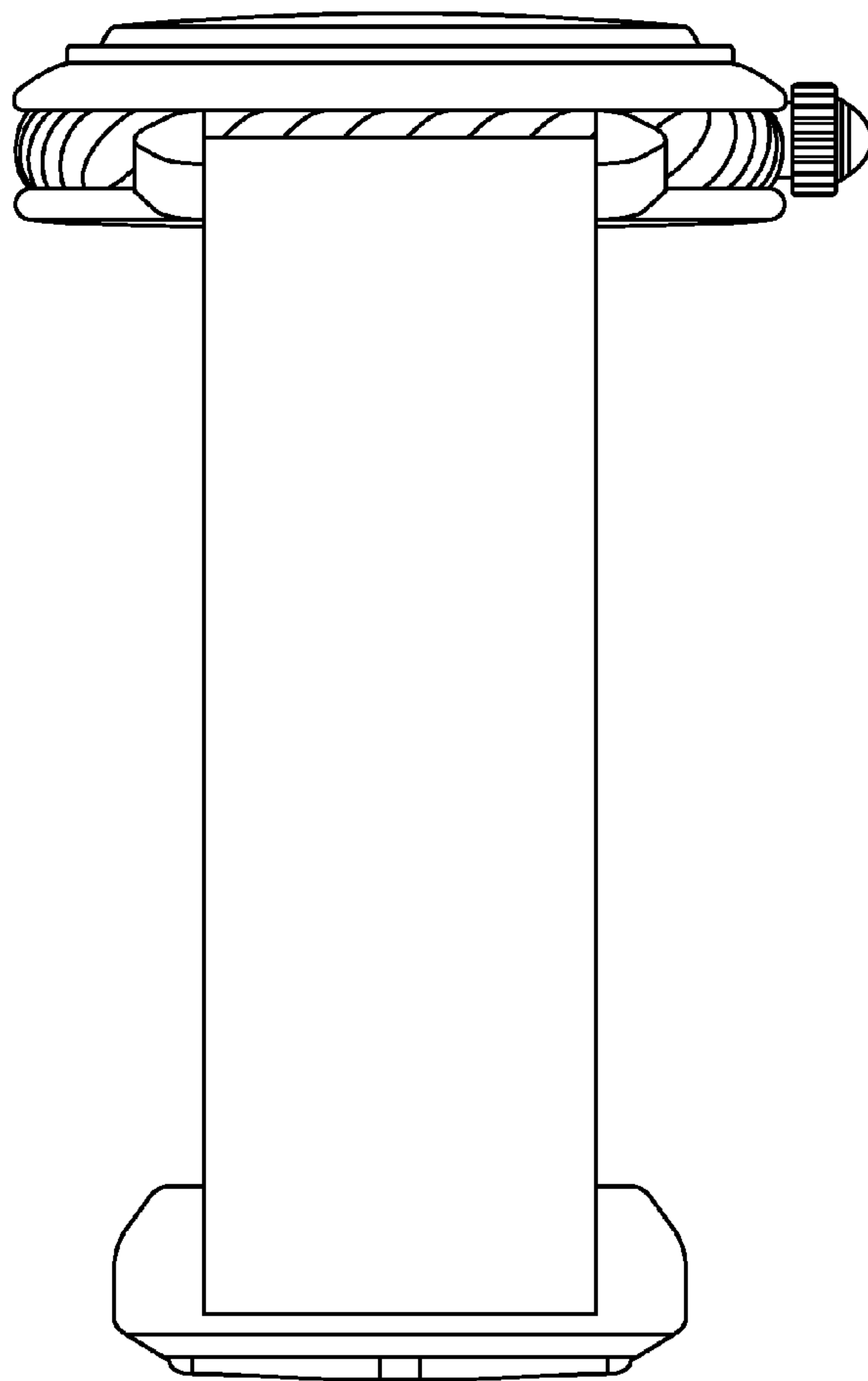


FIG. 6

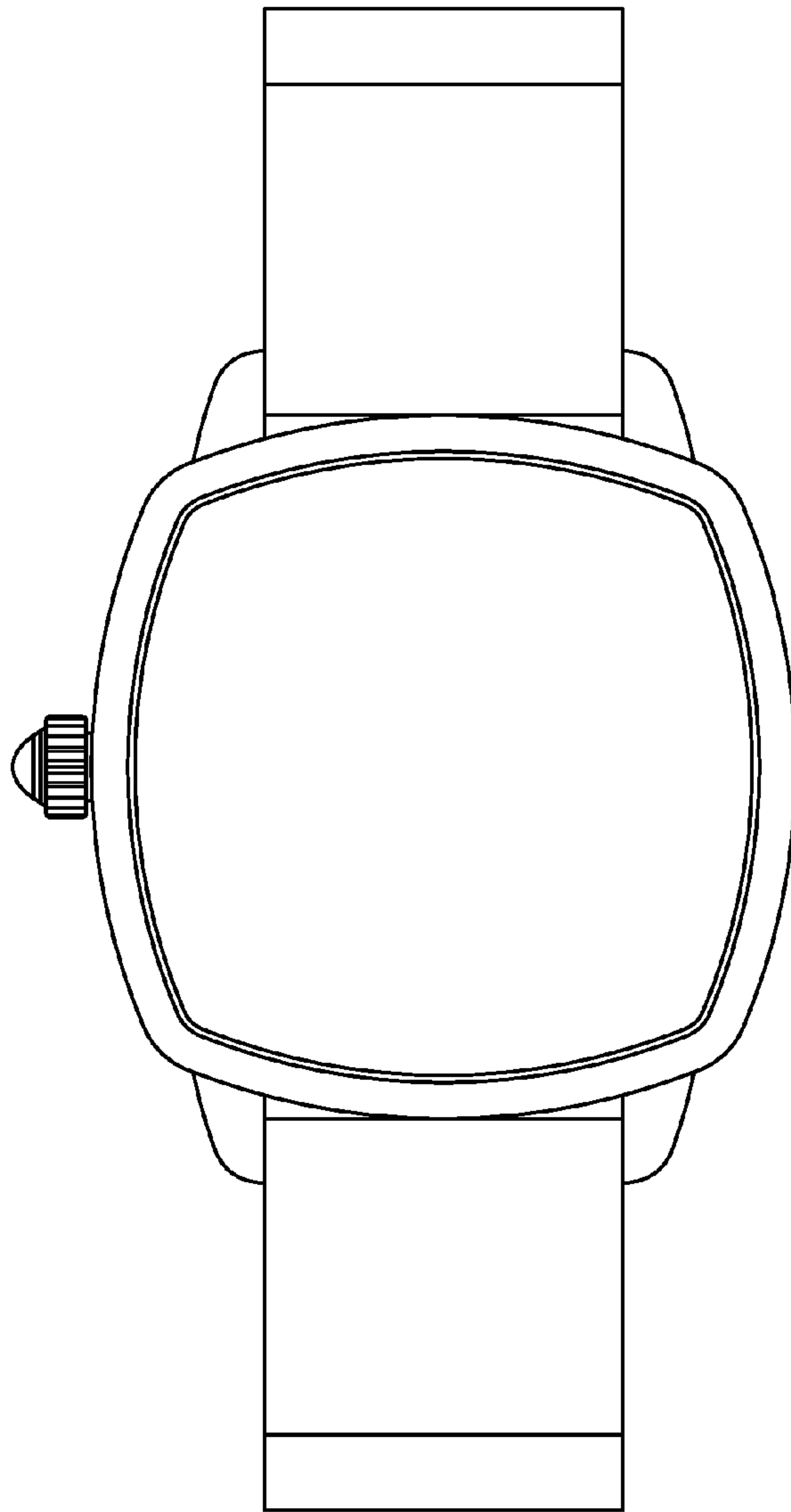


FIG. 7

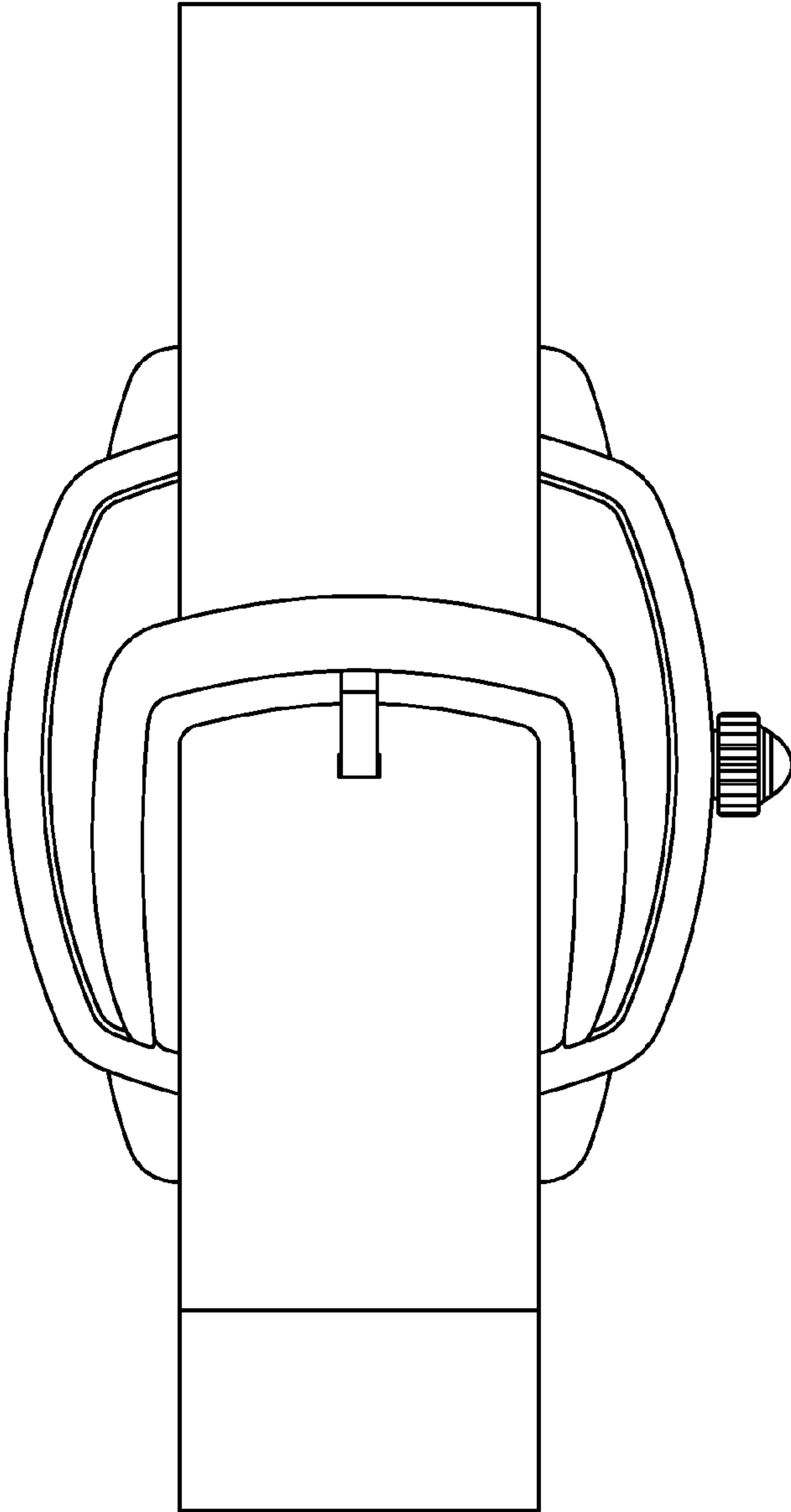


FIG. 8