



US00D767415S

(12) **United States Design Patent** (10) **Patent No.:** **US D767,415 S**
Abdourahim (45) **Date of Patent:** **** Sep. 27, 2016**

(54) **WATCH**
 (71) Applicant: **HARRY WINSTON SA,**
 Plan-les-Ouates (CH)
 (72) Inventor: **Delphine Abdourahim,** New York, NY
 (US)
 (73) Assignee: **HARRY WINSTON SA,**
 Plan-les-Ouates (CH)
 (**) Term: **15 Years**
 (21) Appl. No.: **29/538,495**
 (22) Filed: **Sep. 3, 2015**

(30) **Foreign Application Priority Data**
 Mar. 3, 2015 (WO) DM/085 760
 (51) **LOC (10) Cl.** **10-02**
 (52) **U.S. Cl.**
 USPC **D10/30; D10/37; D10/39**
 (58) **Field of Classification Search**
 USPC D10/30-39, 1-29, 122-132; 368/10,
 368/15-18, 21, 28, 37, 80, 223, 228, 232,
 368/276, 277, 281, 282, 285, 294, 295, 308,
 368/319
 CPC G04B 17/00; G04B 17/02; G04B 17/005;
 G04B 17/285; G04B 37/00; G04B 37/0008;
 G04B 37/0058; G04B 45/00; G04B 45/038;
 G04B 45/0069; G04B 45/0076; G04B 45/02;
 G04B 29/00
 See application file for complete search history.

(56) **References Cited**
 U.S. PATENT DOCUMENTS
 D138,099 S * 6/1944 Peyrot D10/32
 4,855,972 A * 8/1989 Eiss G04B 37/1486
 224/170
 D476,908 S * 7/2003 Ellia D10/39

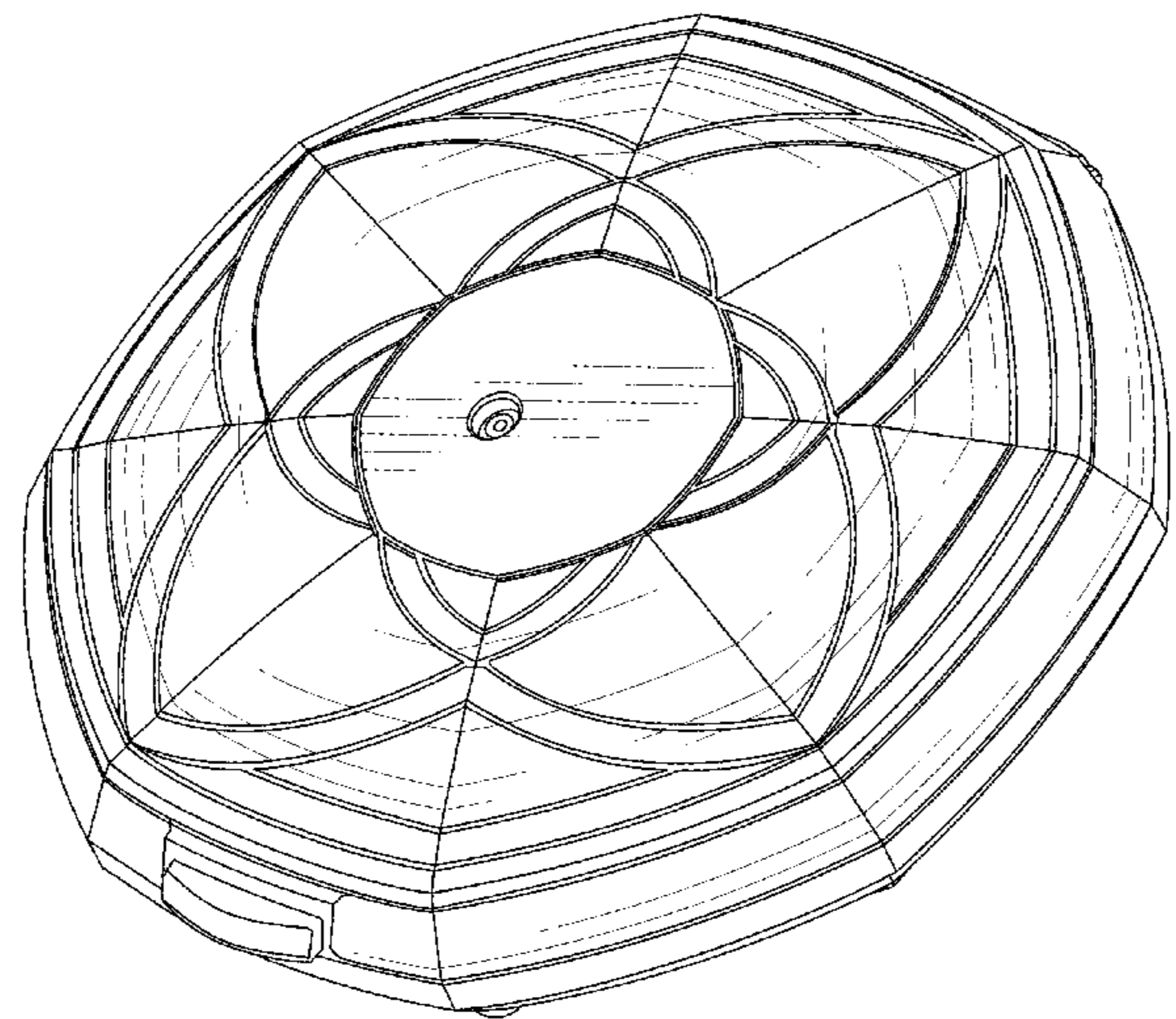
D520,378 S * 5/2006 Miotto D10/30
 D541,182 S * 4/2007 Hegi D10/38
 D643,327 S * 8/2011 Kothari D11/40
 D677,586 S * 3/2013 Graff D10/36
 D705,675 S * 5/2014 Abdourahim D10/39
 D709,790 S * 7/2014 Nagda D11/91
 D747,657 S * 1/2016 Abdourahim D10/30
 D747,980 S * 1/2016 Abdourahim D10/30

* cited by examiner
Primary Examiner — Susan Bennett Hattan
Assistant Examiner — Jennifer Wright
 (74) *Attorney, Agent, or Firm* — Donald J. Ranft; Collen IP

(57) **CLAIM**
 The ornamental design for a watch, as shown.

DESCRIPTION
 FIG. 1 is a rear perspective view of a watch showing my new design;
 FIG. 2 is a rear view thereof;
 FIG. 3 is a front perspective view thereof;
 FIG. 4 is a front view thereof;
 FIG. 5 is a bottom view side view thereof;
 FIG. 6 is a top view thereof;
 FIG. 7 is a left side view thereof;
 FIG. 8 is a right side view thereof;
 FIG. 9 is a front perspective view with lid opened thereof;
 and,
 FIG. 10 is a front view with lid opened thereof.

1 Claim, 8 Drawing Sheets



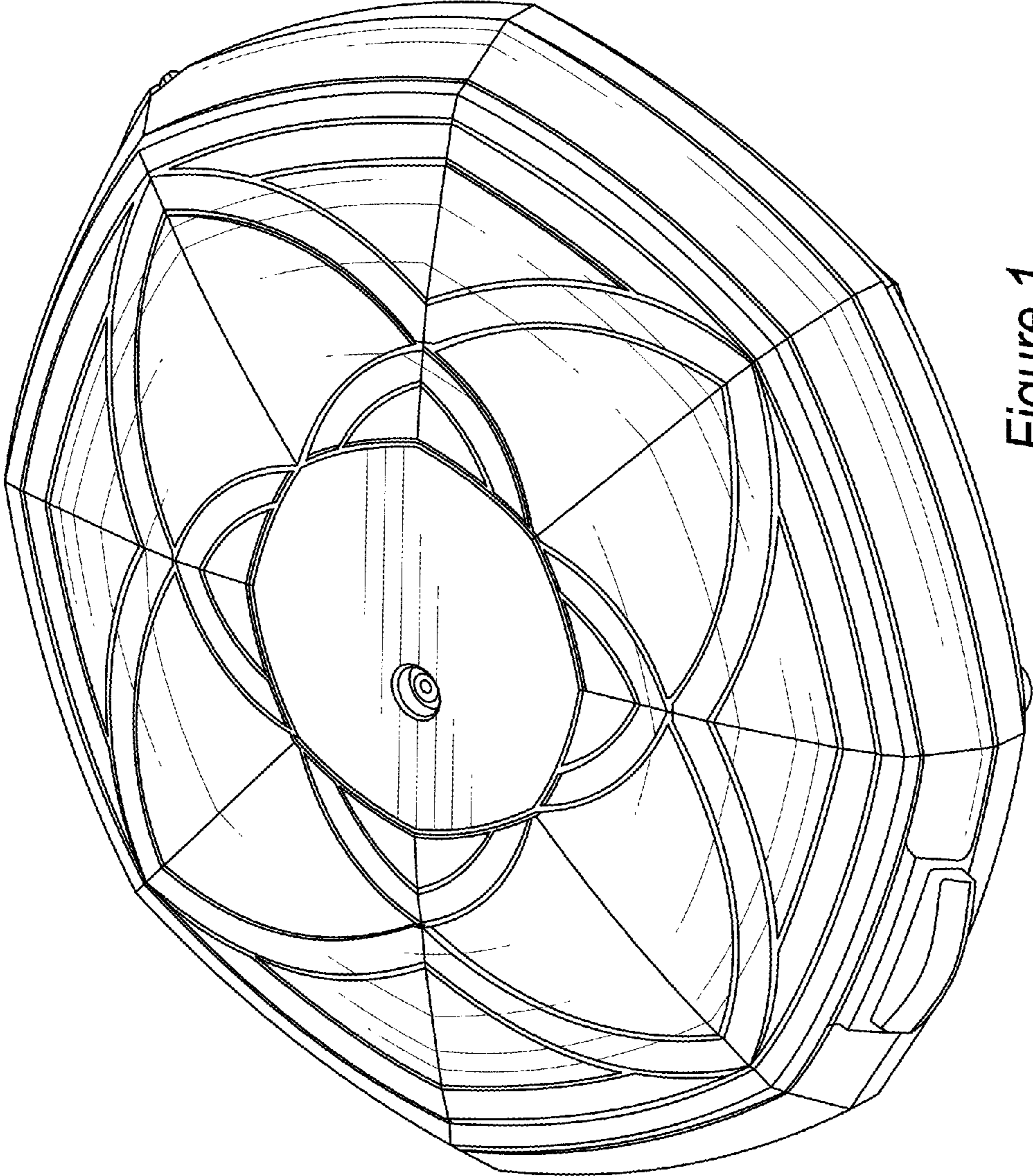


Figure 1

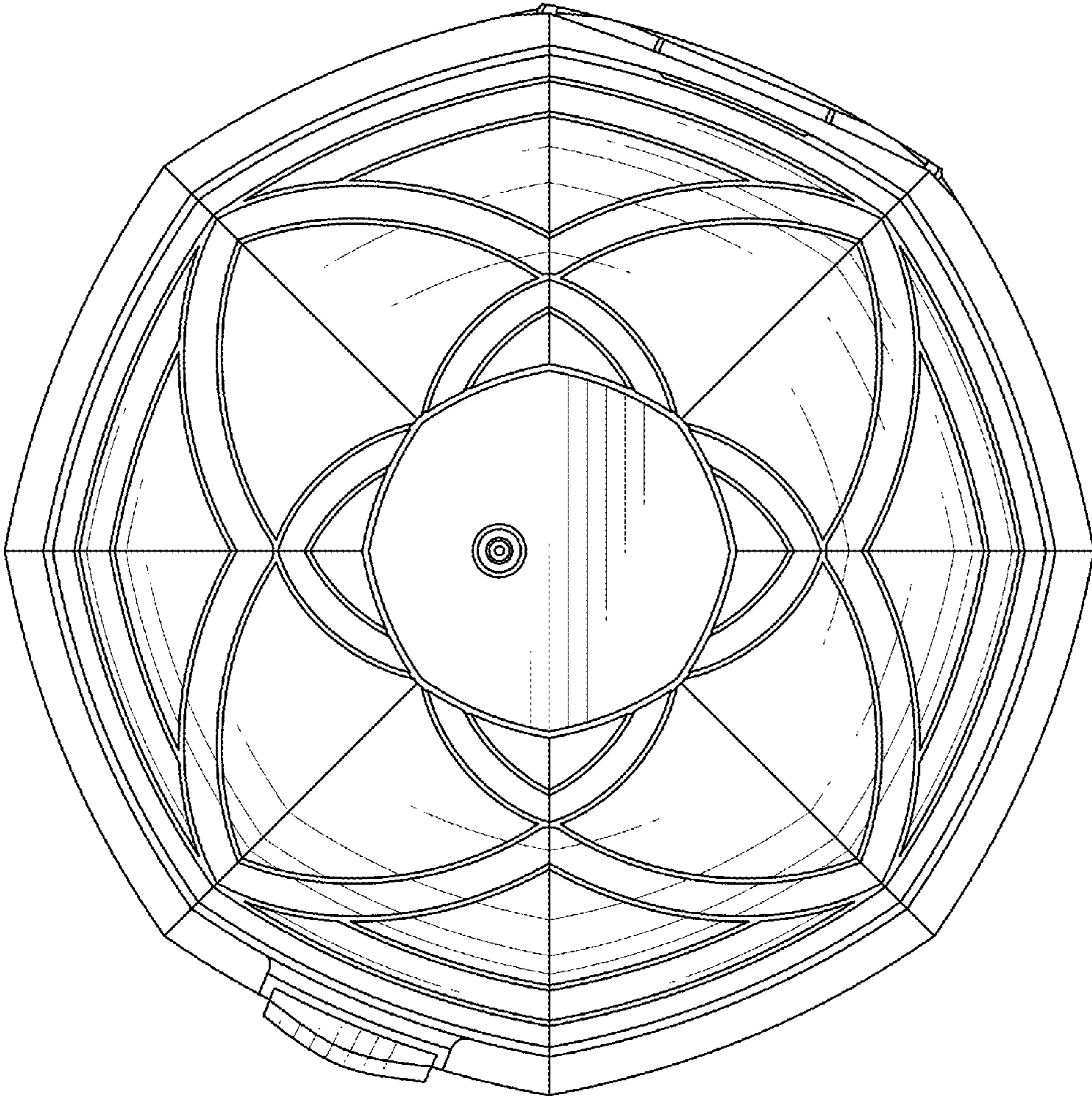


Figure 2

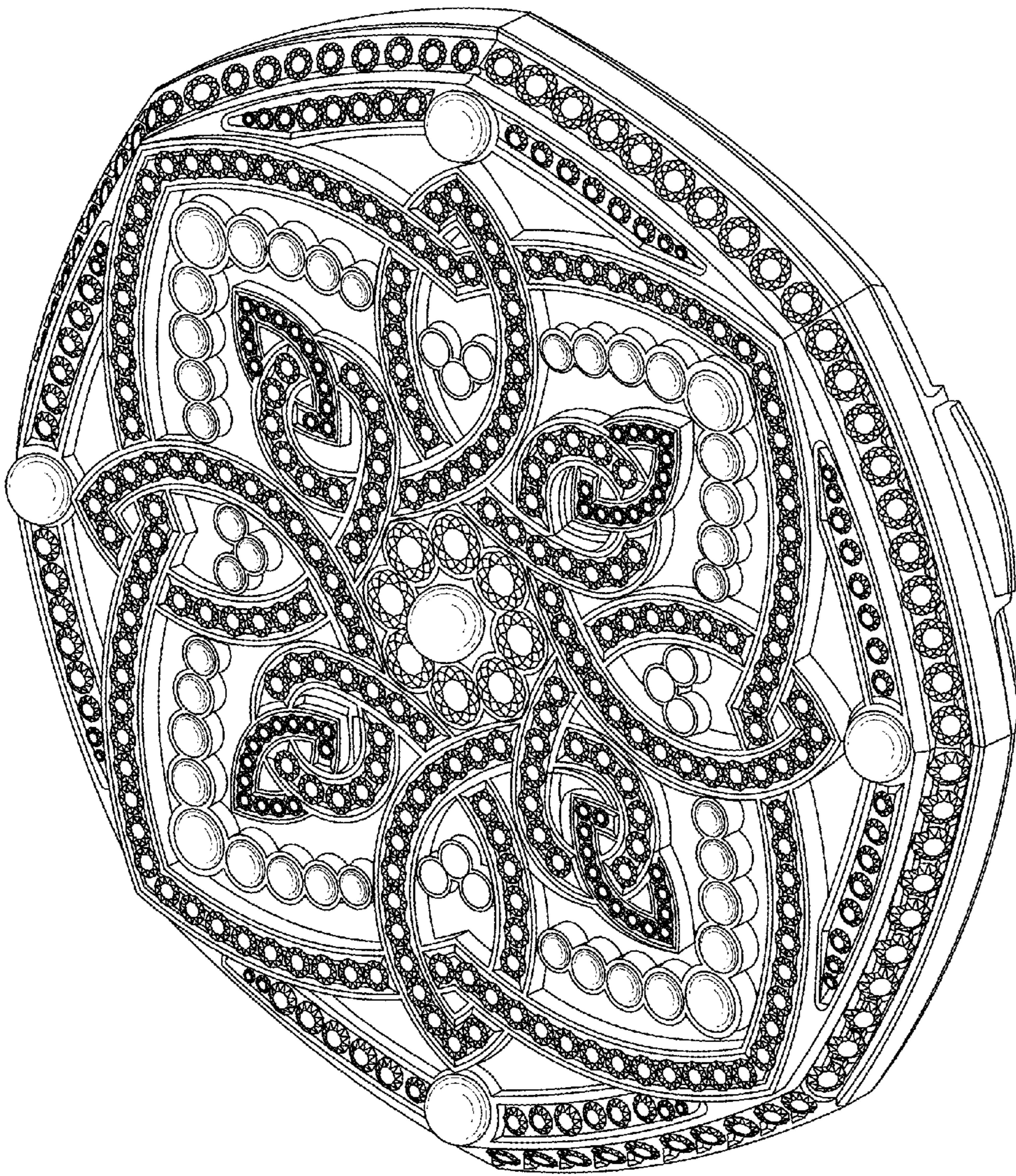


Figure 3

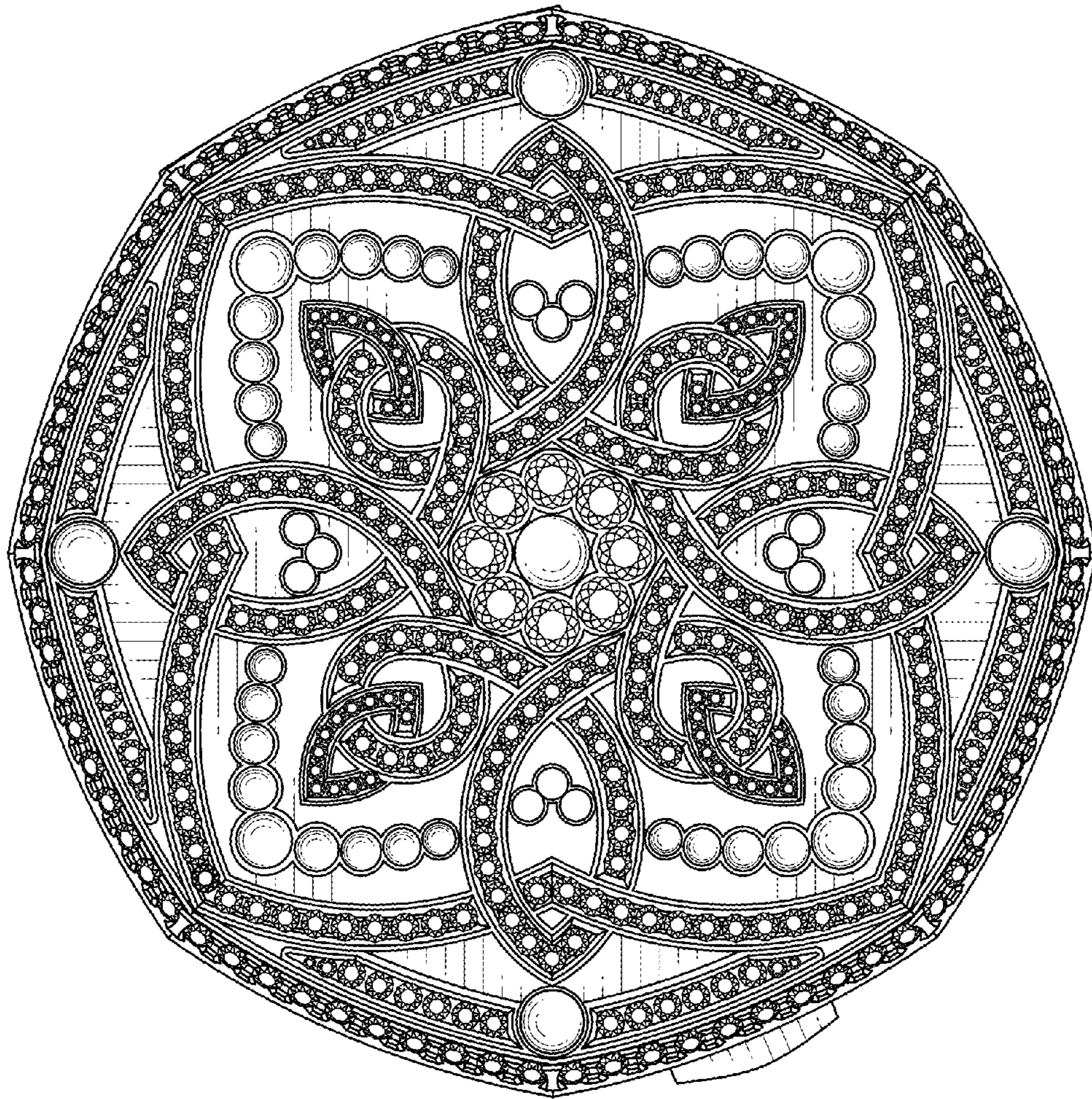


Figure 4

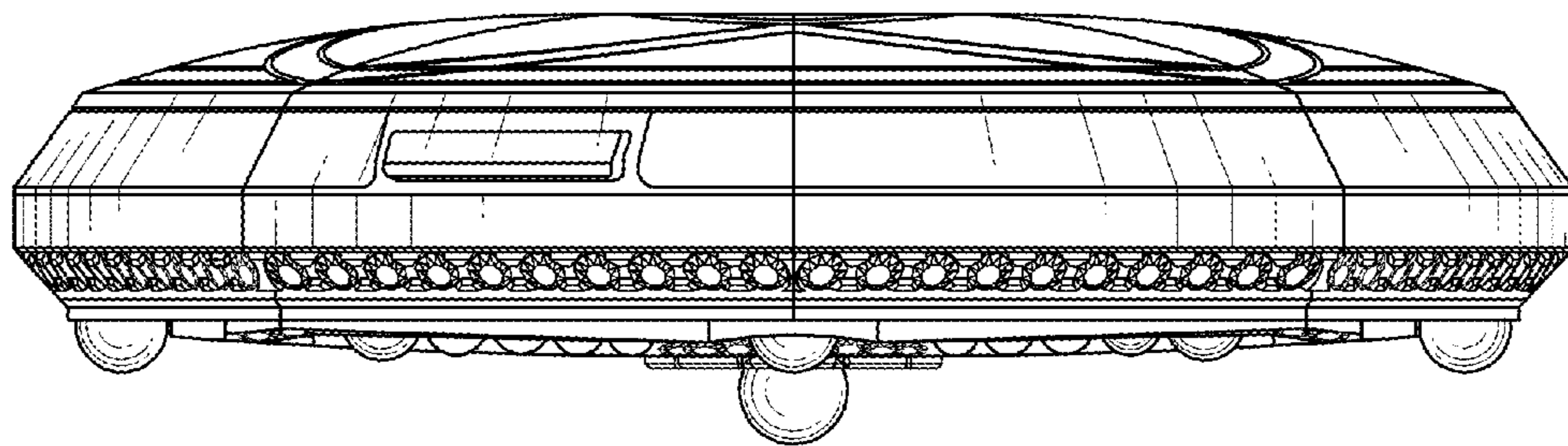


Figure 5

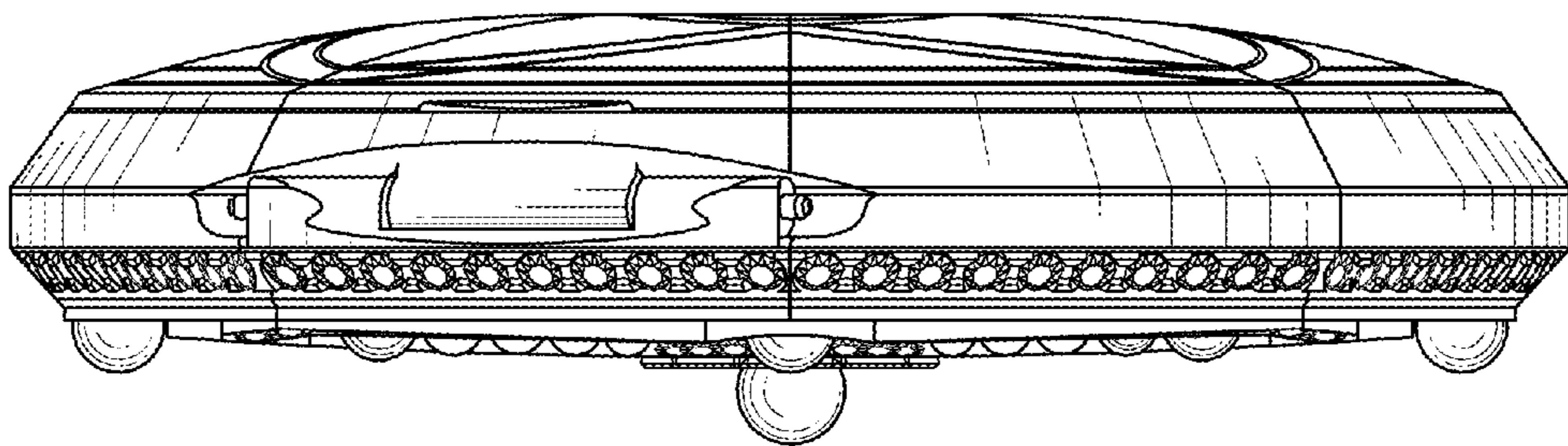


Figure 6

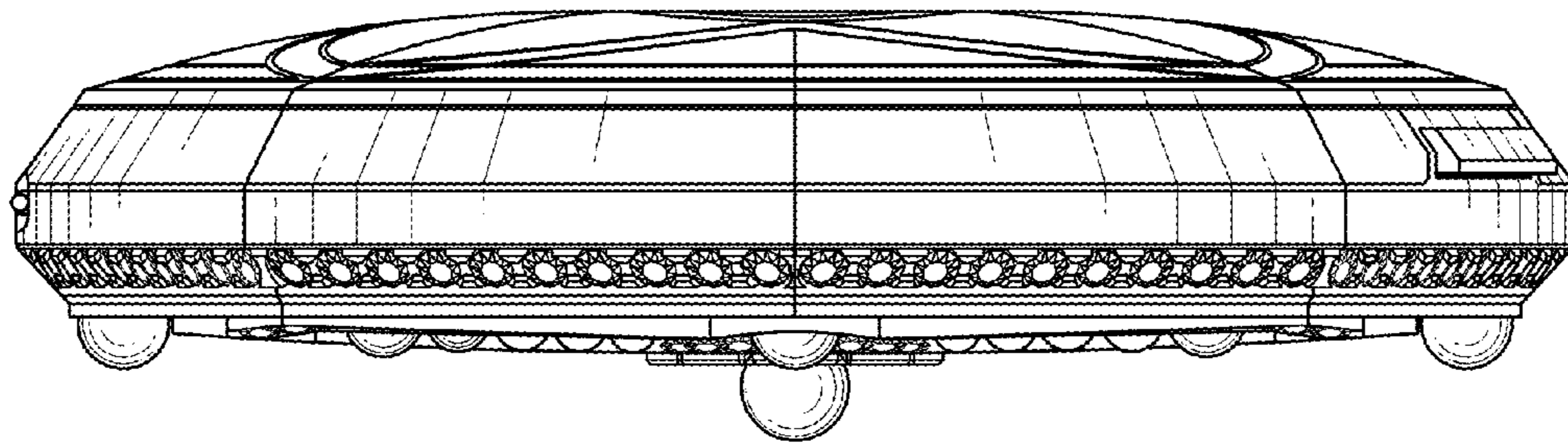


Figure 7

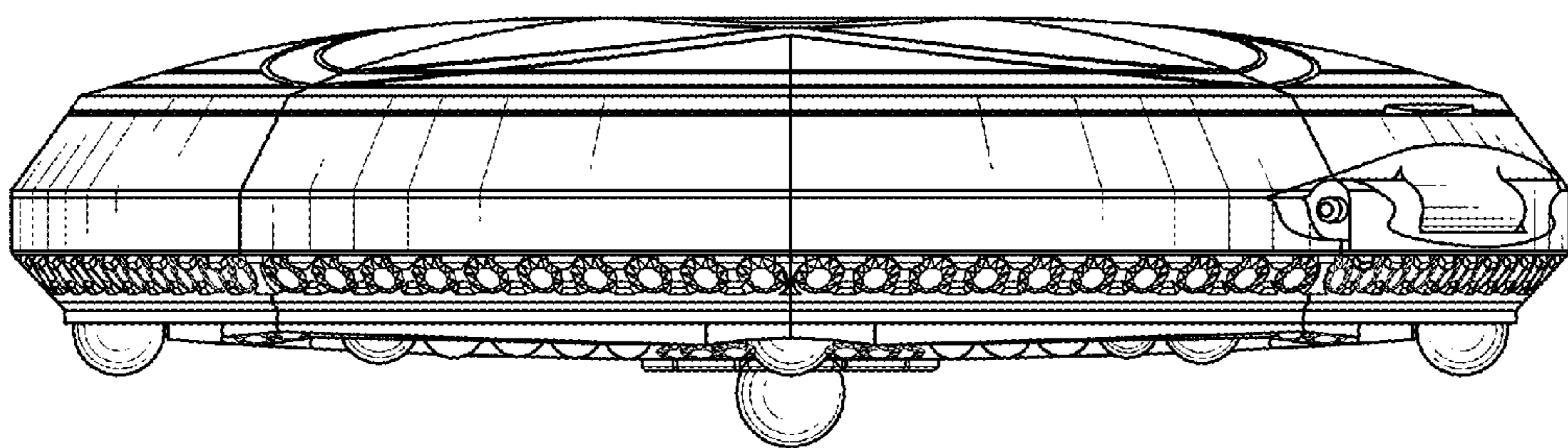


Figure 8

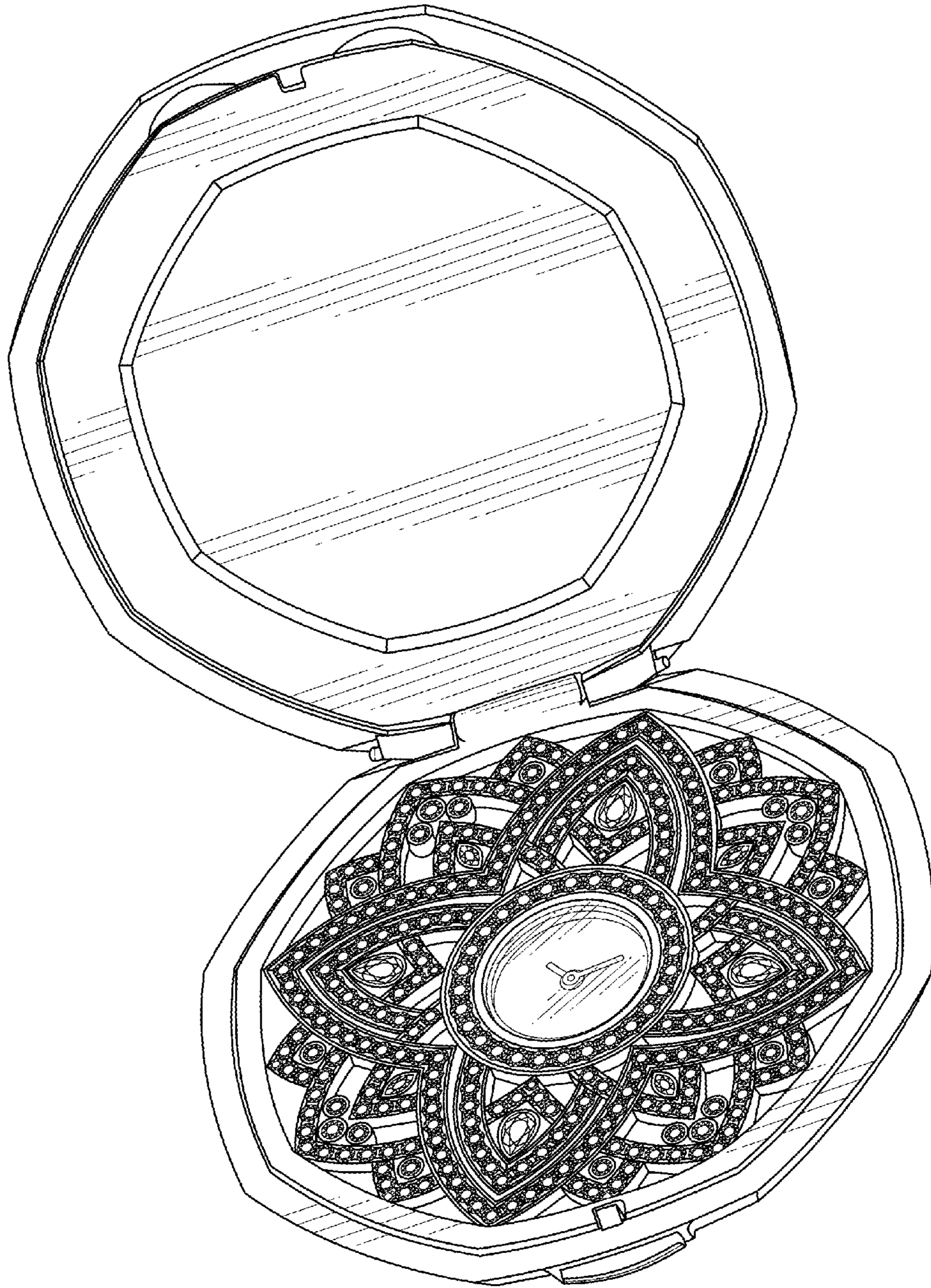


Figure 9

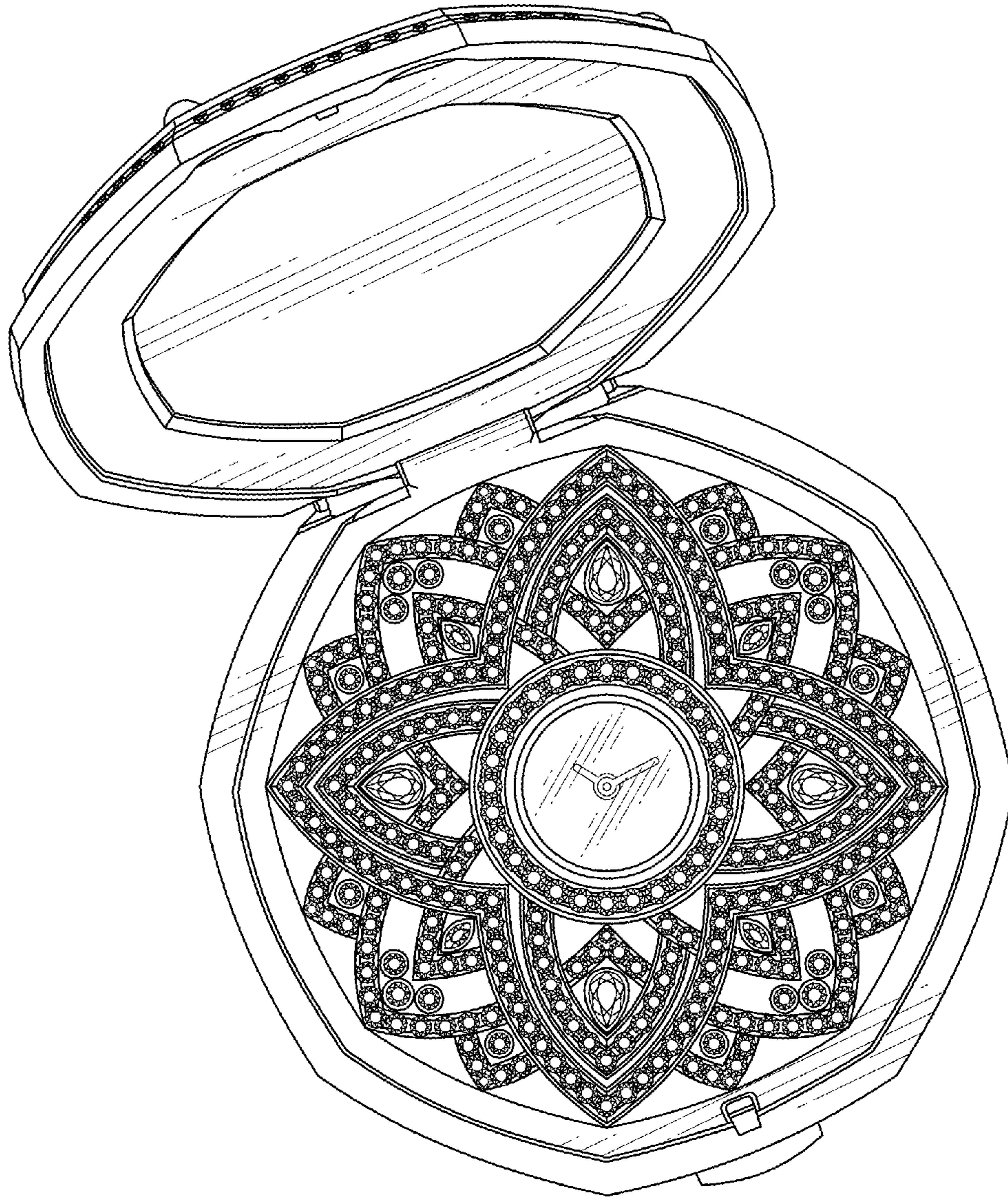


Figure 10