

US00D767414S

(12) **United States Design Patent**  
**Laucella**

(10) **Patent No.:** **US D767,414 S**

(45) **Date of Patent:** **\*\* Sep. 27, 2016**

(54) **WATCH**

(71) Applicant: **MONTRES BREGUET S.A.**,  
L'Abbaye (CH)

(72) Inventor: **Vincent Laucella**, Le Brassus (CH)

(73) Assignee: **MONTRES BREGUET S.A.**,  
L'Abbaye (CH)

(\*\*) Term: **15 Years**

(21) Appl. No.: **29/537,450**

(22) Filed: **Aug. 26, 2015**

(30) **Foreign Application Priority Data**

Feb. 26, 2015 (WO) ..... DM/085708

(51) **LOC (10) Cl.** ..... **10-02**

(52) **U.S. Cl.**  
USPC ..... **D10/30; D10/38**

(58) **Field of Classification Search**

USPC ..... D10/30-39, 1-29, 122-132; 368/10,  
368/15-18, 21, 28, 37, 80, 223, 228, 232,  
368/276, 277, 281, 282, 285, 294, 295, 308,  
368/319

CPC .... G04B 17/00; G04B 17/02; G04B 17/005;  
G04B 17/285; G04B 37/00; G04B 37/0008;  
G04B 37/0058; G04B 45/00; G04B 45/038;  
G04B 45/0069; G04B 45/0076; G04B 45/02;  
G04B 29/00

See application file for complete search history.

(56) **References Cited**

**U.S. PATENT DOCUMENTS**

D512,654 S \* 12/2005 Scheufele ..... D10/39  
D517,929 S \* 3/2006 Rabassa ..... D10/39

D528,443 S \* 9/2006 Bedat ..... D10/39  
D558,613 S \* 1/2008 Wei ..... D10/38  
D561,050 S \* 2/2008 Laucella ..... D10/39  
D570,712 S \* 6/2008 Cattin ..... D10/32  
D572,607 S \* 7/2008 Emch Ducommun ..... D10/32  
D585,307 S \* 1/2009 Modolo ..... D10/32  
D586,239 S \* 2/2009 Modolo ..... D10/32  
D615,881 S \* 5/2010 Chastaingt ..... D10/39  
D629,312 S \* 12/2010 Laucella ..... D10/39  
D638,724 S \* 5/2011 Laucella ..... D10/39  
D697,435 S \* 1/2014 Duport ..... D10/39  
D727,176 S \* 4/2015 Laucella ..... D10/39  
2003/0189875 A1 \* 10/2003 Wilmouth ..... G04B 19/268  
368/17

\* cited by examiner

*Primary Examiner* — Susan Bennett Hattan

*Assistant Examiner* — Jennifer Wright

(74) *Attorney, Agent, or Firm* — Donald J. Ranft; Collen IP

(57) **CLAIM**

The ornamental design for a watch, as shown.

**DESCRIPTION**

FIG. 1 is a front right perspective view of a watch showing my new design;

FIG. 2 is a rear left perspective view thereof;

FIG. 3 is a front view thereof;

FIG. 4 is a rear view thereof;

FIG. 5 is a left side view thereof;

FIG. 6 is a right side view thereof;

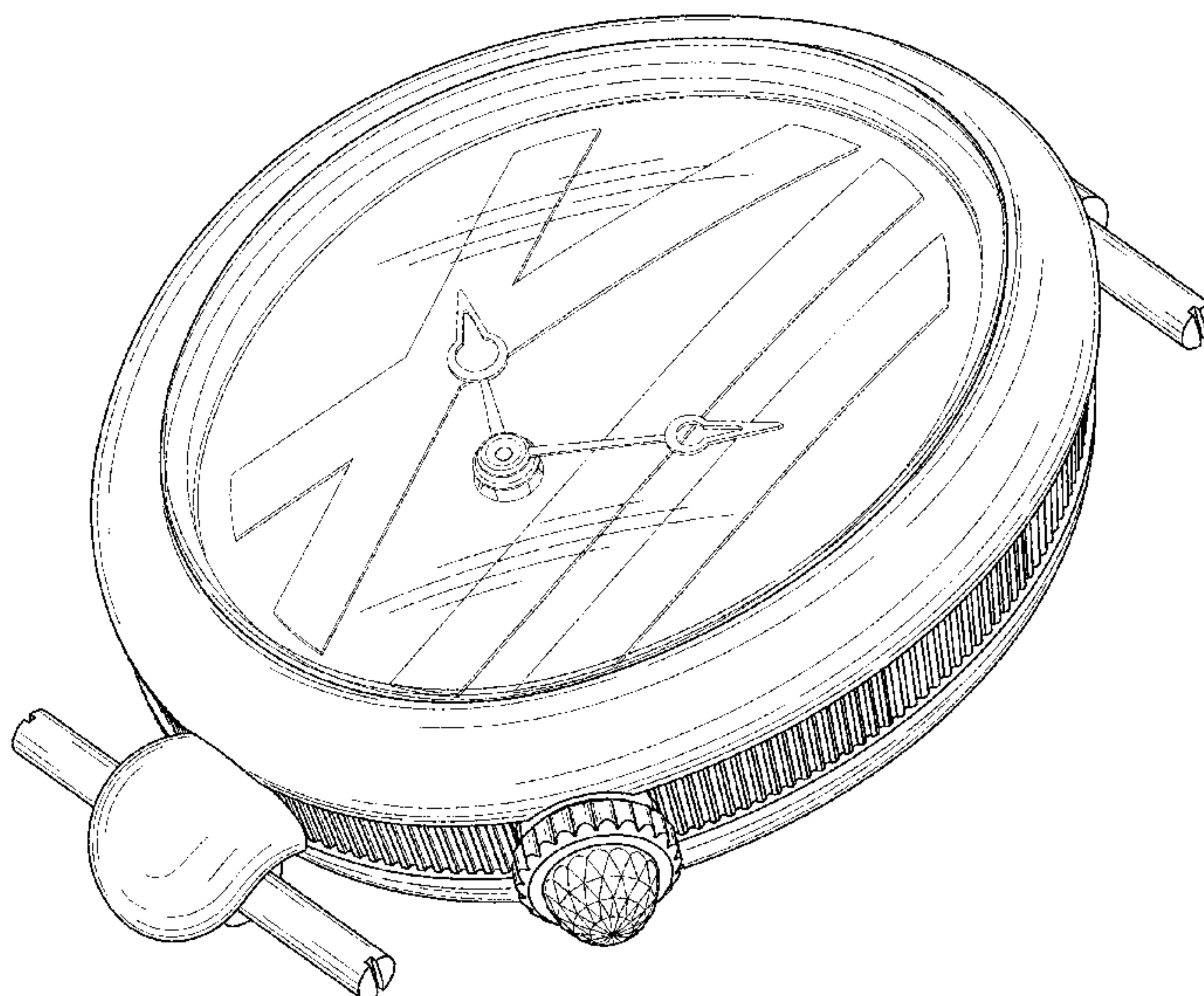
FIG. 7 is a top view thereof;

FIG. 8 is a bottom view thereof;

FIG. 9 is a front left perspective view thereof; and,

FIG. 10 is a rear right perspective view thereof.

**1 Claim, 8 Drawing Sheets**



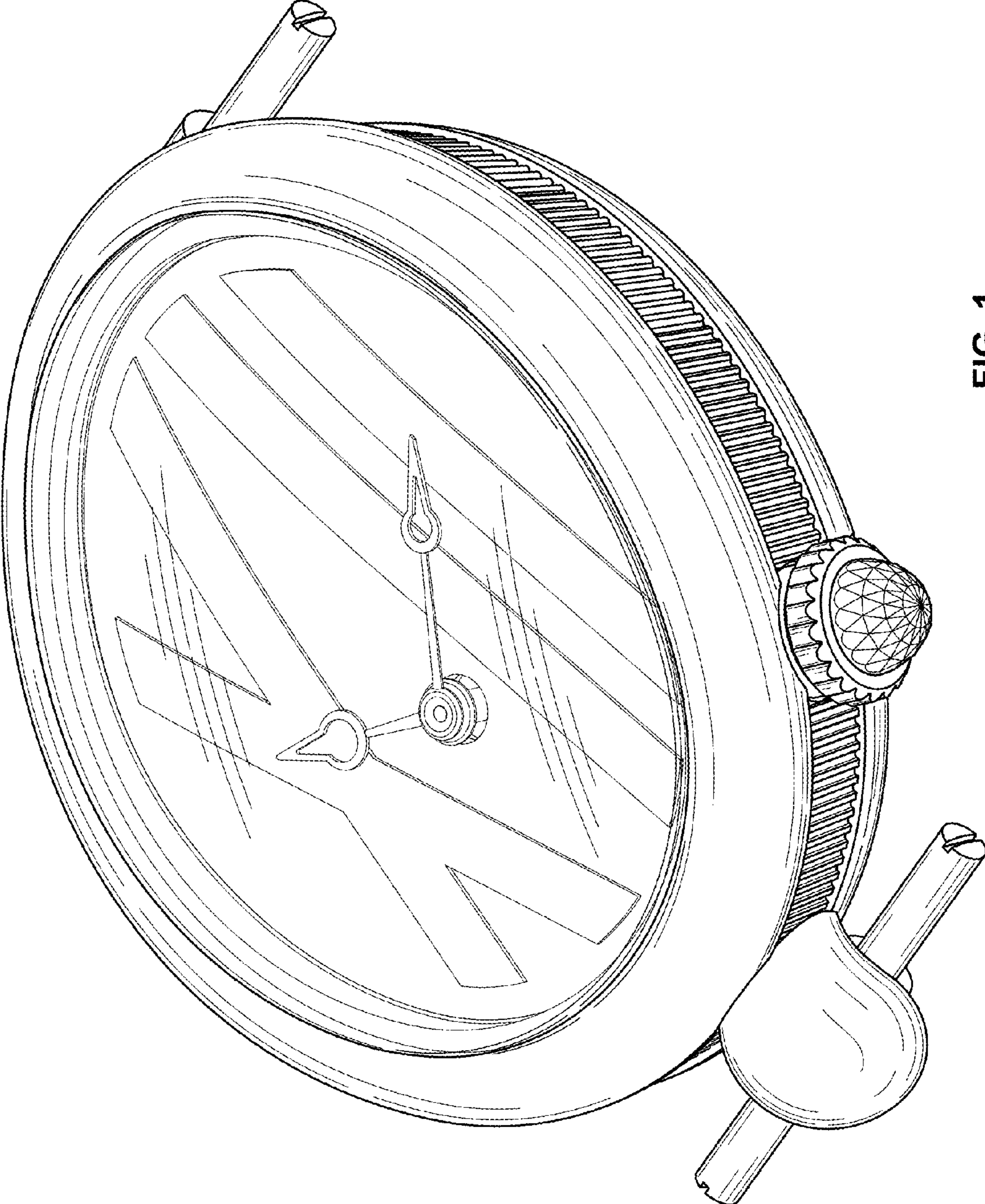


FIG. 1



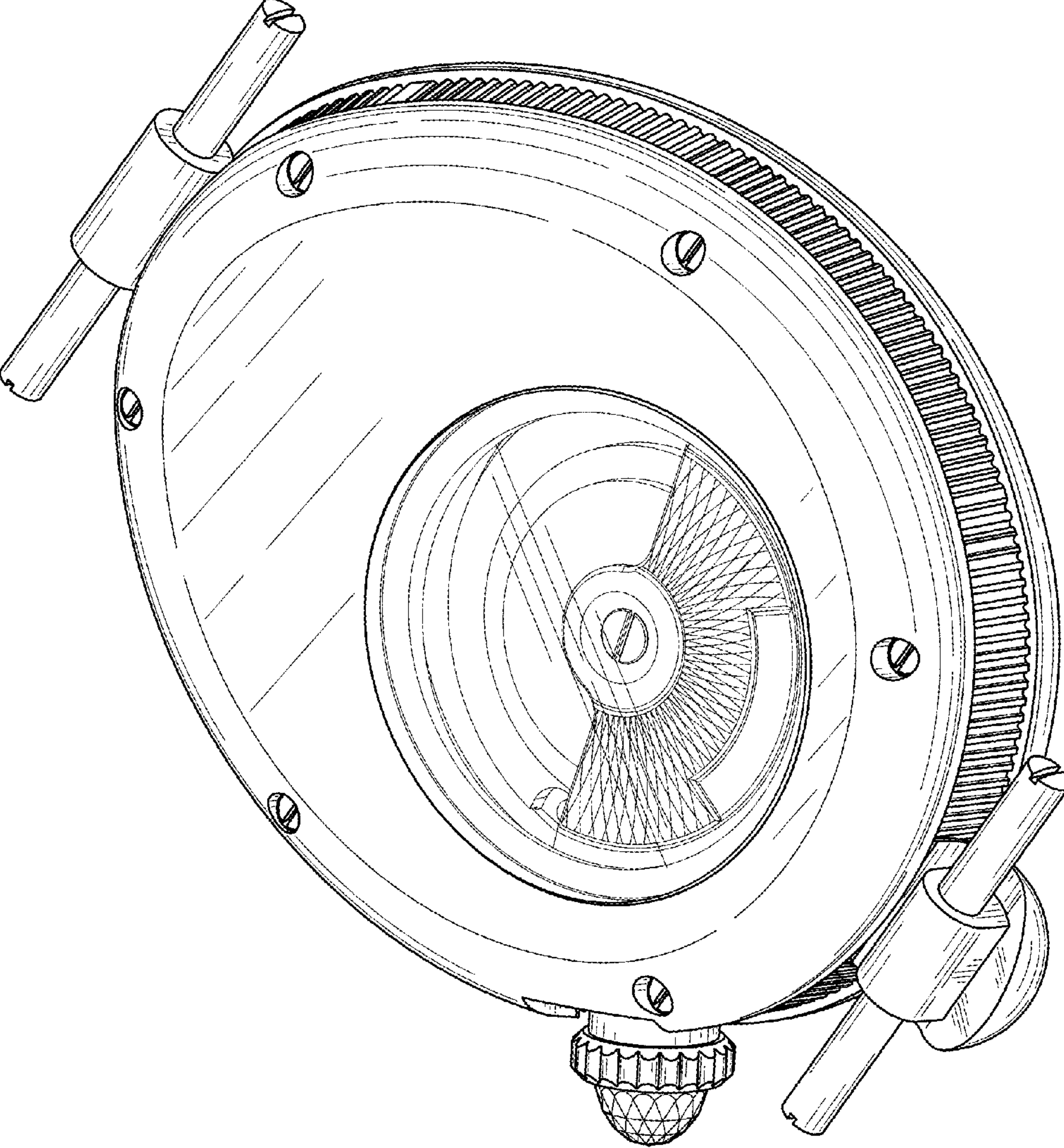


FIG. 2

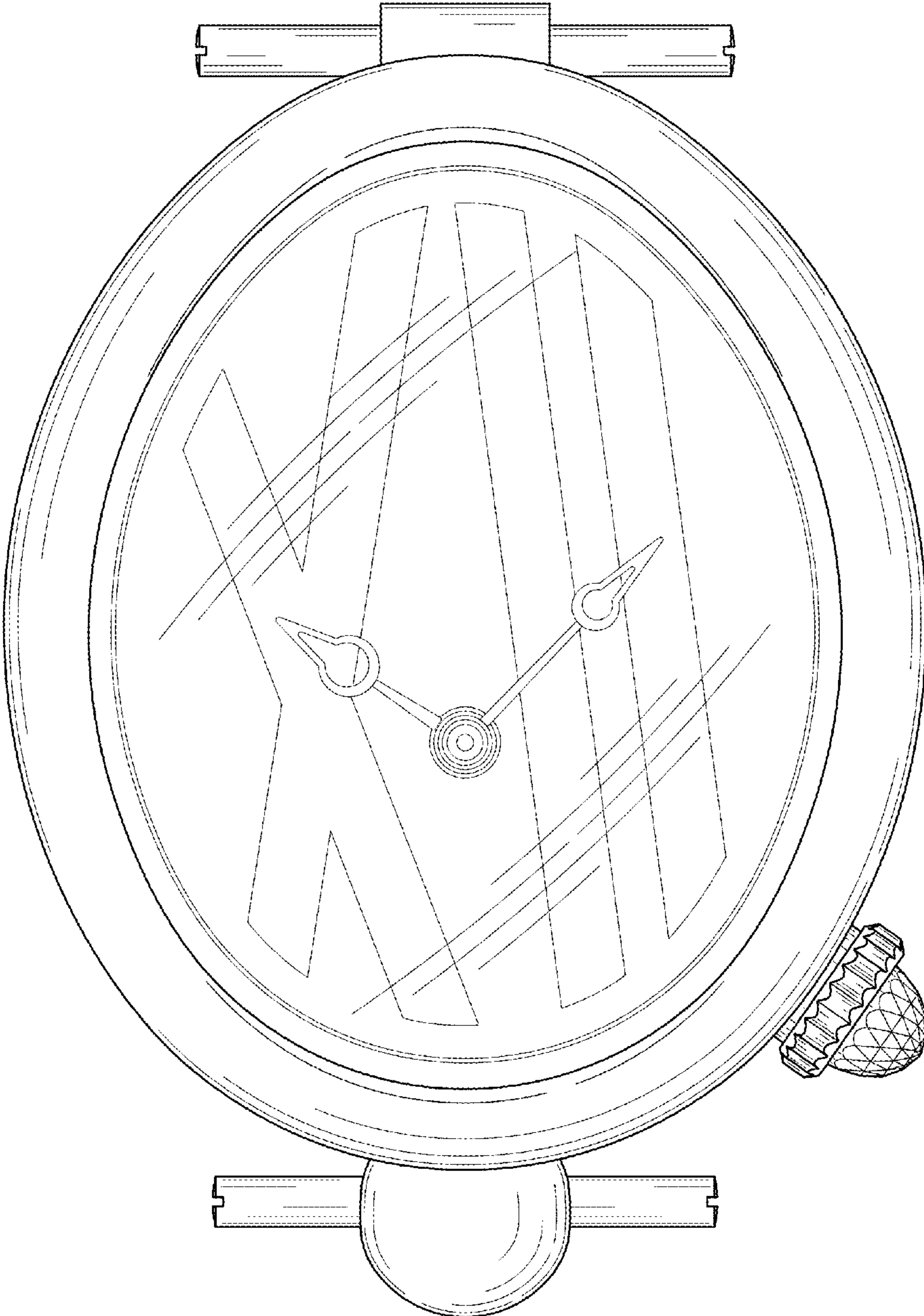


FIG. 3

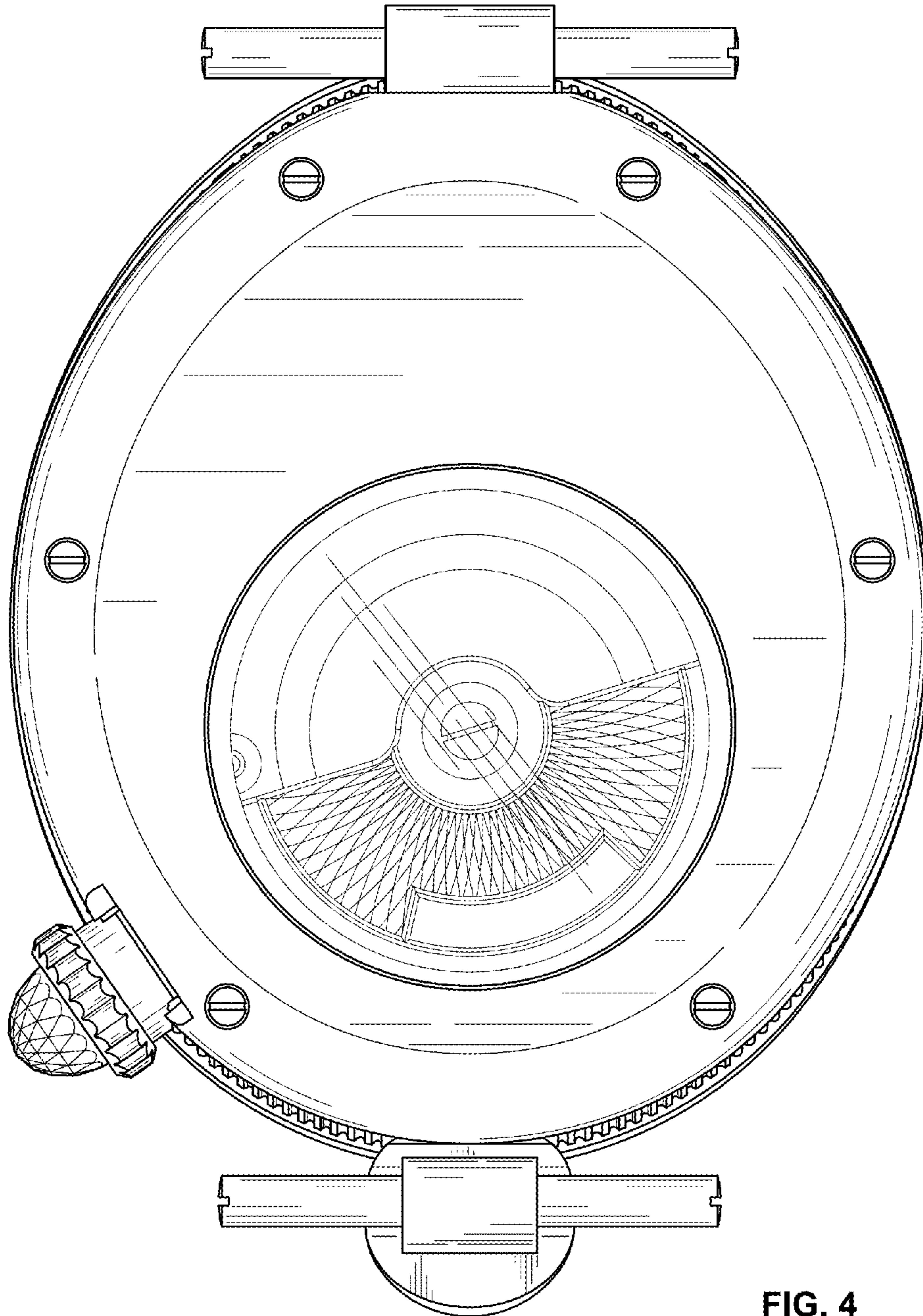


FIG. 4



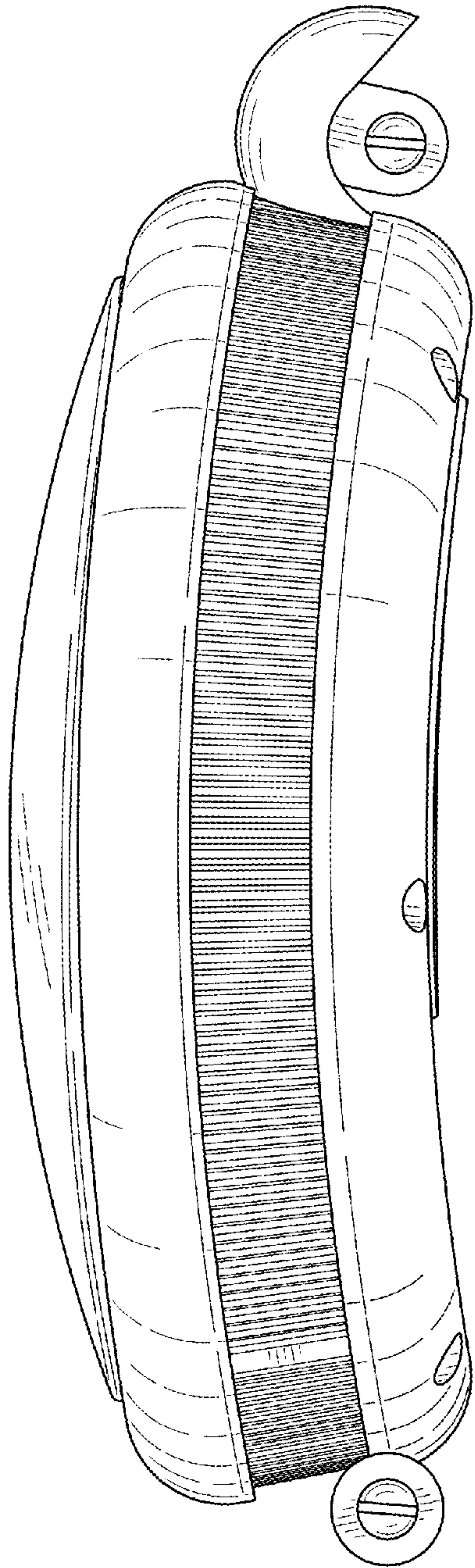


FIG. 5

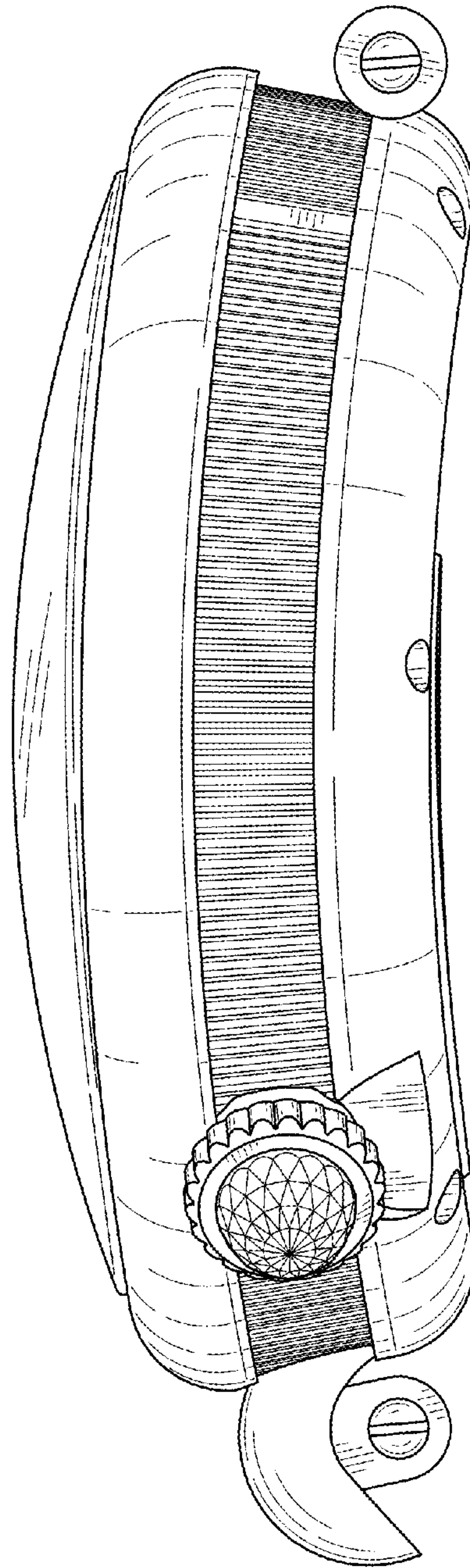


FIG. 6

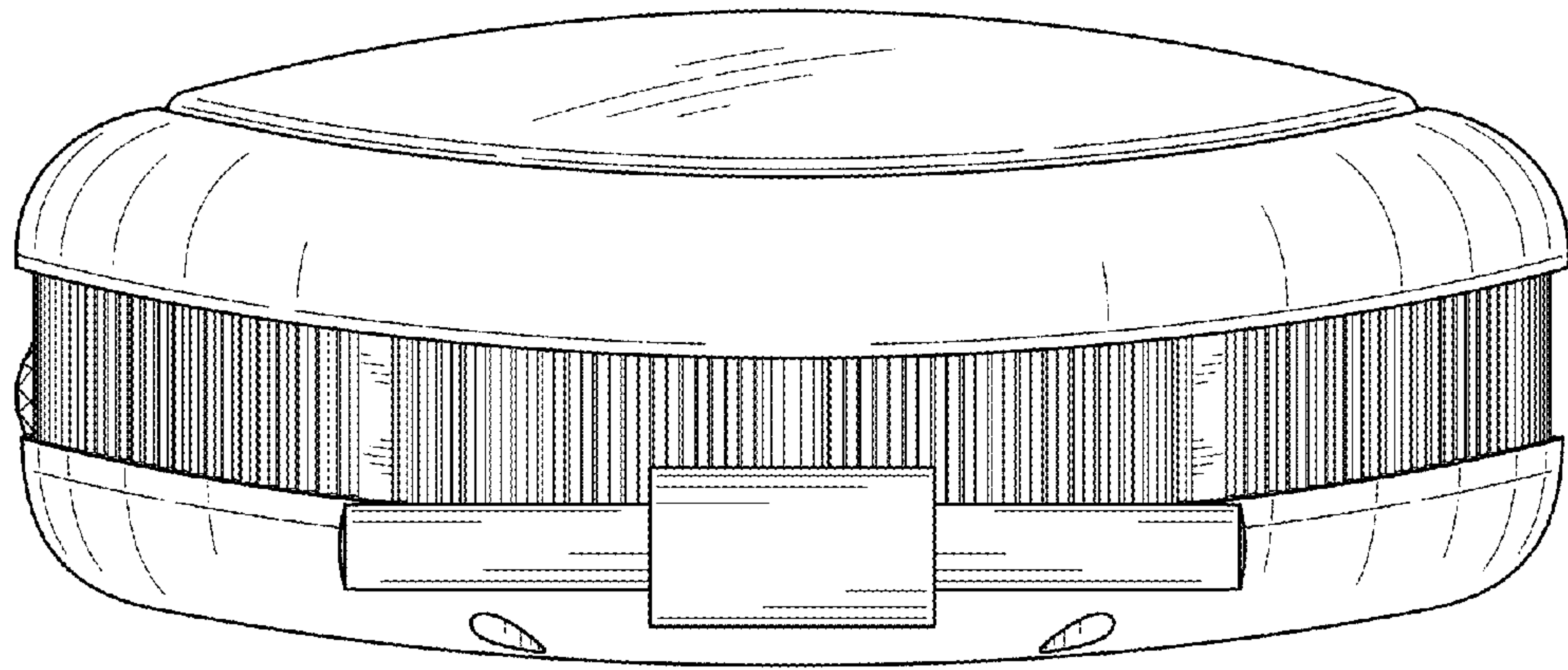


FIG. 7

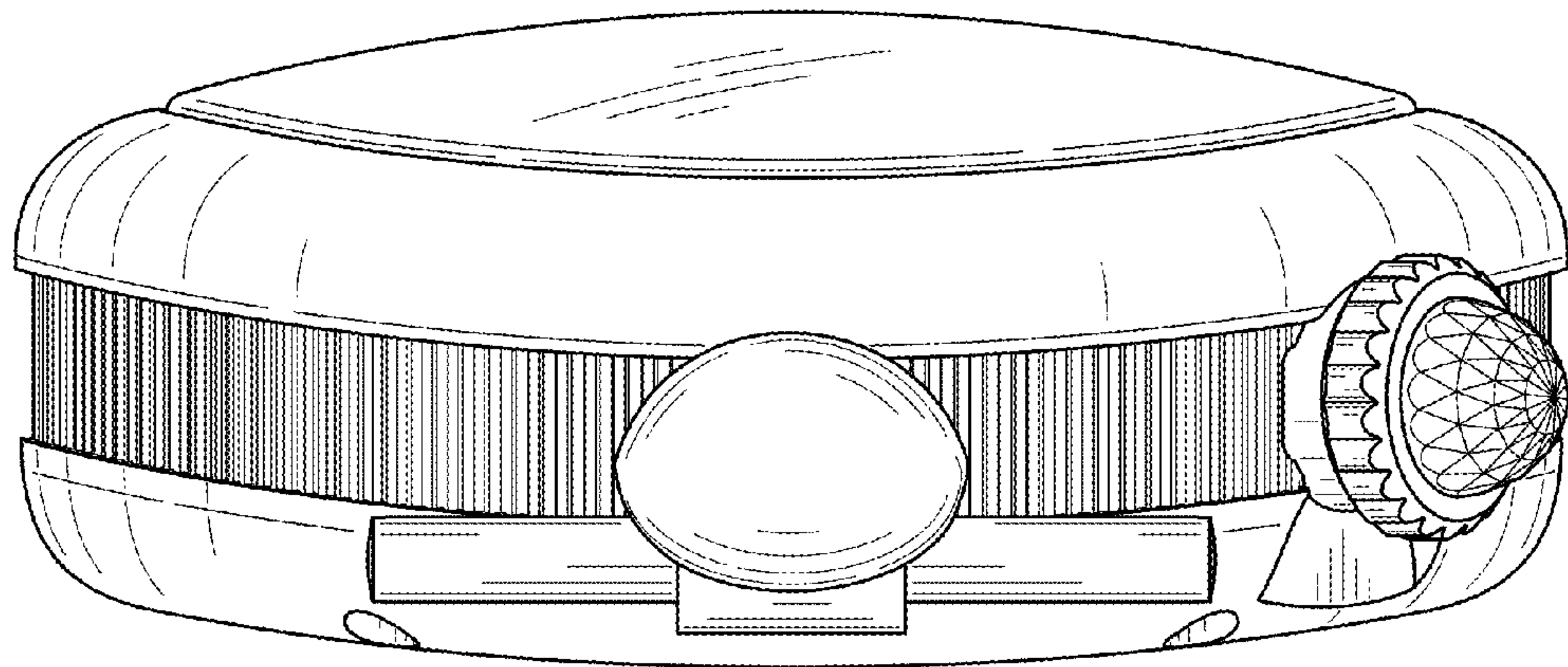


FIG. 8

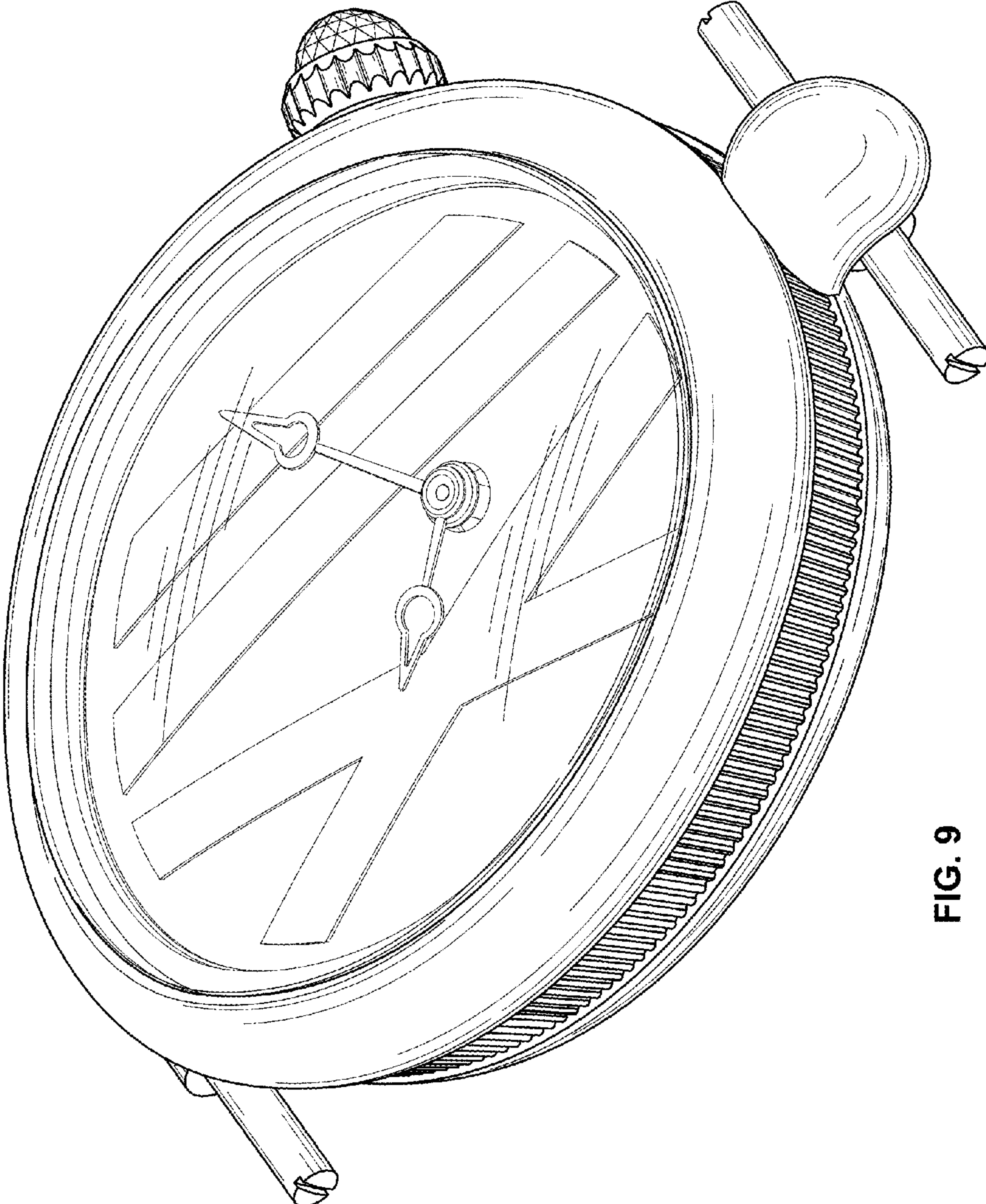


FIG. 9



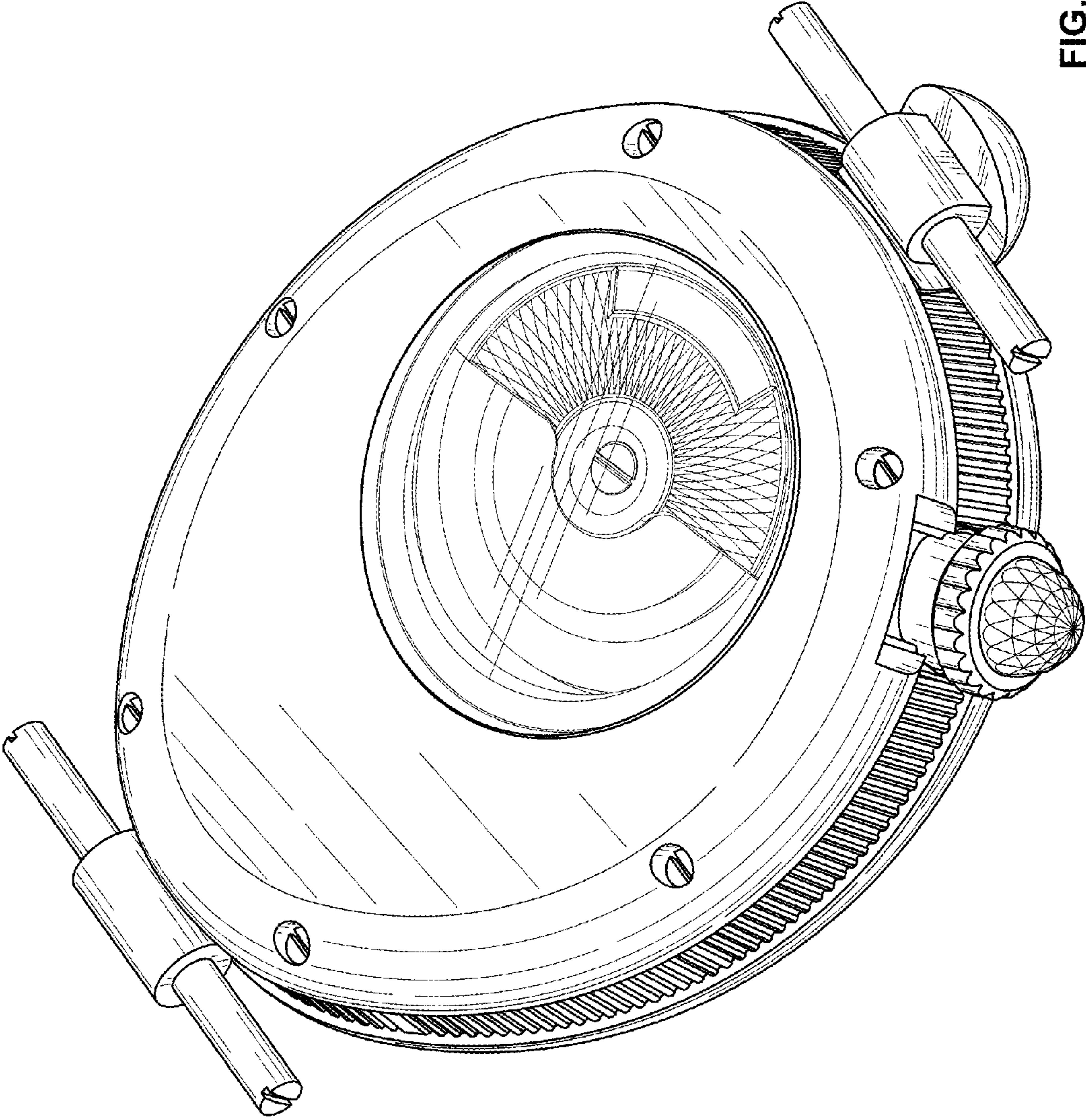


FIG. 10