



US00D767413S

(12) **United States Design Patent**
Voirin

(10) **Patent No.:** **US D767,413 S**

(45) **Date of Patent:** **** Sep. 27, 2016**

(54) **WATCHCASE**

(71) Applicant: **LONGINES WATCH CO.,
FRANCILLON LTD., St-Imier (CH)**

(72) Inventor: **Alexandre Voirin, Morteau (FR)**

(73) Assignee: **LONGINES WATCH CO.,
FRANCILLON LTD., St-Imier (CH)**

(**) Term: **15 Years**

(21) Appl. No.: **29/536,577**

(22) Filed: **Aug. 18, 2015**

(30) **Foreign Application Priority Data**

Feb. 18, 2015 (WO) DM/085683

(51) **LOC (10) Cl.** **10-02**

(52) **U.S. Cl.**
USPC **D10/30; D10/38**

(58) **Field of Classification Search**
USPC D10/30-39, 1-29, 122-132; 368/10,
368/15-18, 21, 28, 37, 80, 223, 228, 232,
368/276, 277, 281, 282, 285, 294, 295, 308,
368/319

CPC G04B 17/00; G04B 17/02; G04B 17/005;
G04B 17/285; G04B 37/00; G04B 37/0008;
G04B 37/0058; G04B 45/00; G04B 45/038;
G04B 45/0069; G04B 45/0076; G04B 45/02;
G04B 29/00

See application file for complete search history.

(56) **References Cited**

U.S. PATENT DOCUMENTS

2,824,419 A * 2/1958 Graber G04B 37/22
29/896.33
D325,351 S * 4/1992 Alberti D10/30

D379,934 S * 6/1997 Riley D10/30
D465,420 S * 11/2002 Mantovani D10/30
D465,421 S * 11/2002 Mantovani D10/30
D645,361 S * 9/2011 Parmigiani D10/38
D651,099 S * 12/2011 Ruffieux D10/38
D671,429 S * 11/2012 Parmigiani D10/38
D733,580 S * 7/2015 Cerrato D10/38
D733,582 S * 7/2015 Gueit D10/38
D747,658 S * 1/2016 Cerrato D10/128
D748,501 S * 2/2016 Cerrato D10/30
D749,431 S * 2/2016 Babcock D10/30
D750,505 S * 3/2016 Cerrato D10/30
2013/0201804 A1 * 8/2013 Bertrand G04B 19/283
368/281

* cited by examiner

Primary Examiner — Susan Bennett Hattan

Assistant Examiner — Jennifer Wright

(74) *Attorney, Agent, or Firm* — Donald J. Ranft; Collen IP

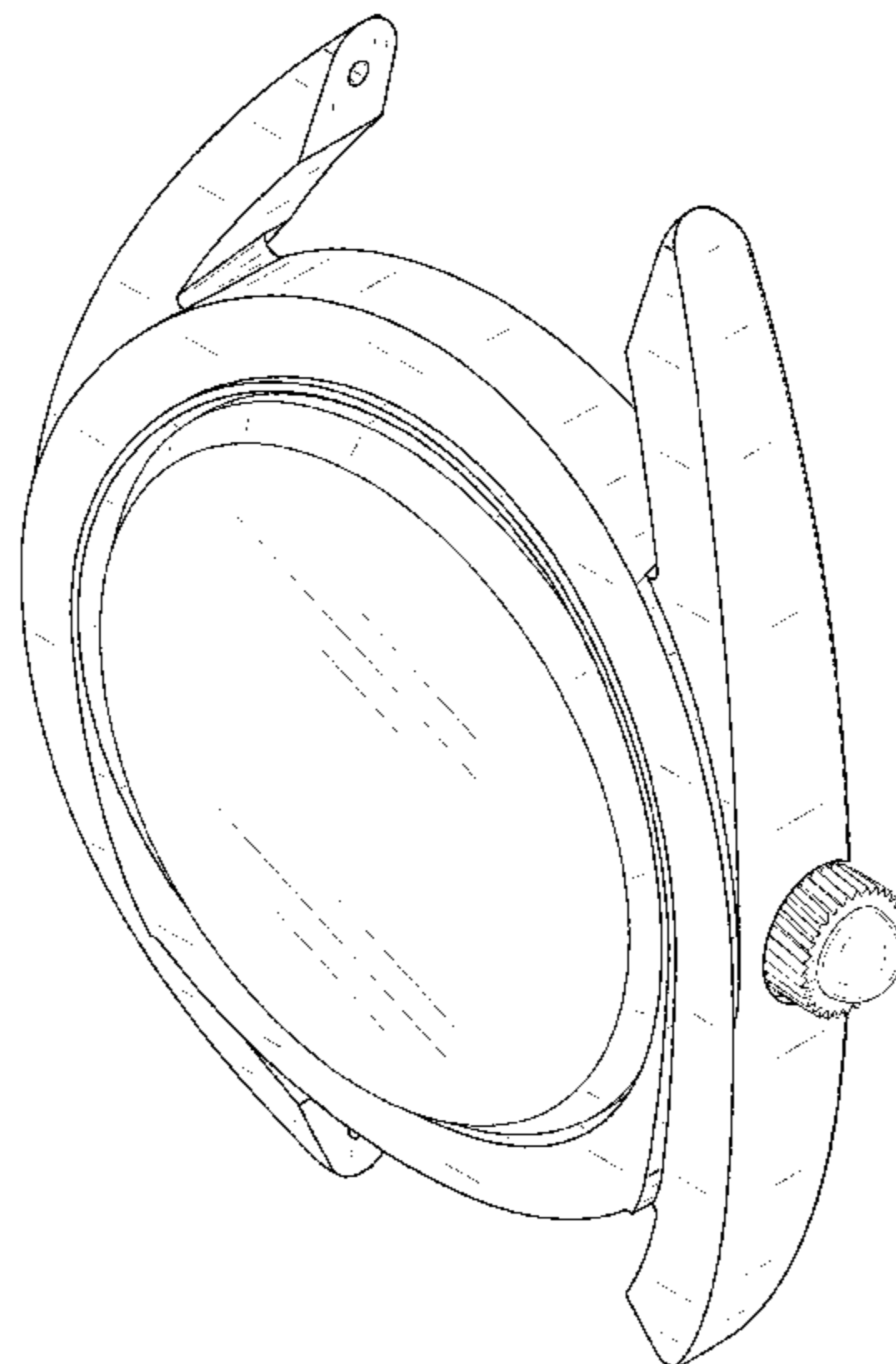
(57) **CLAIM**

The ornamental design for a watchcase, as shown.

DESCRIPTION

FIG. 1 is a front right perspective view of a watchcase showing my new design;
FIG. 2 is a front left perspective view thereof;
FIG. 3 is a rear right perspective view thereof;
FIG. 4 is a rear left perspective view thereof;
FIG. 5 is a front view thereof;
FIG. 6 is a rear view thereof;
FIG. 7 is a left side view thereof;
FIG. 8 is a right side view thereof;
FIG. 9 is a top view thereof; and,
FIG. 10 is a bottom view thereof.

1 Claim, 8 Drawing Sheets



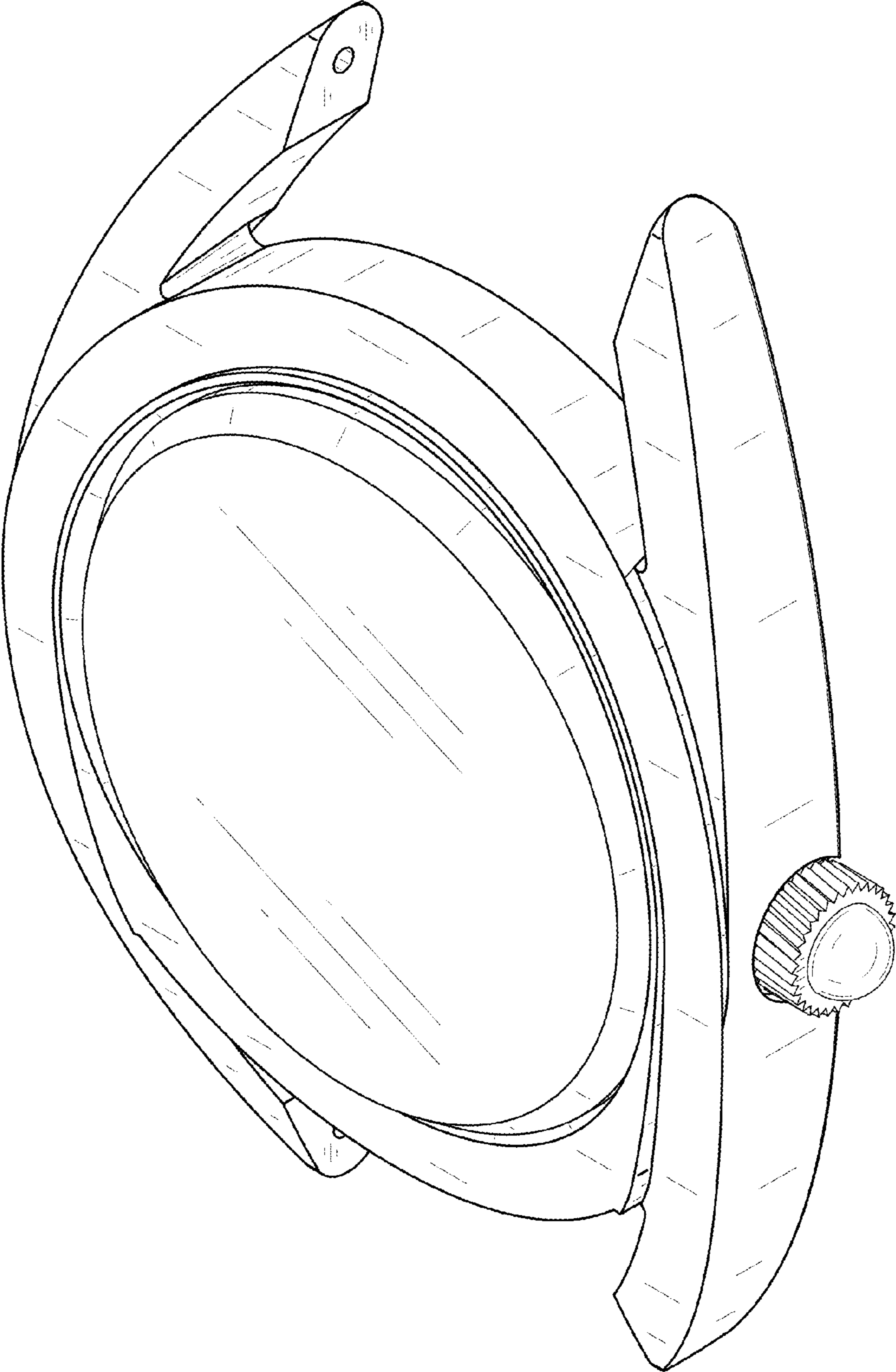


FIG. 1

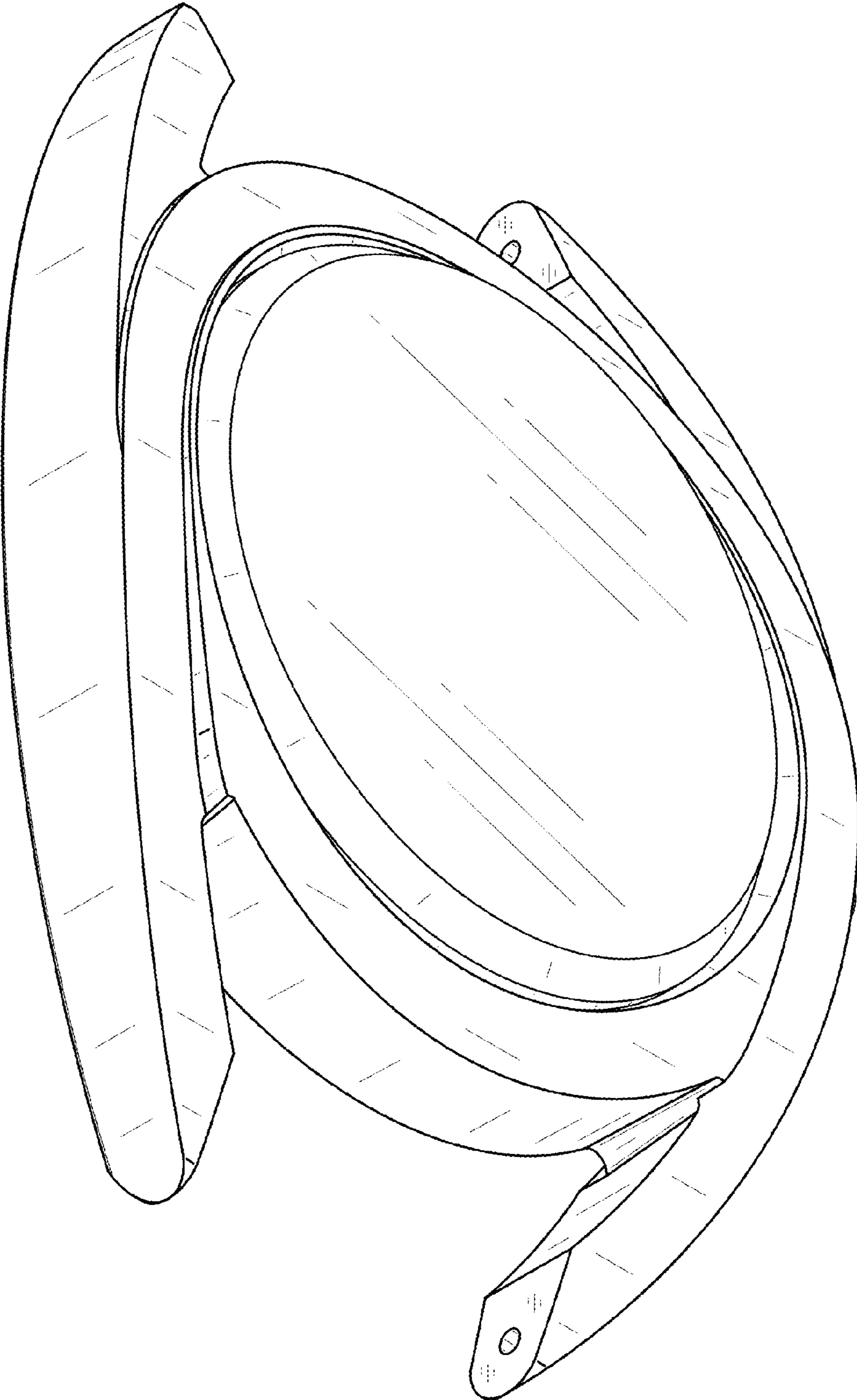


FIG. 2

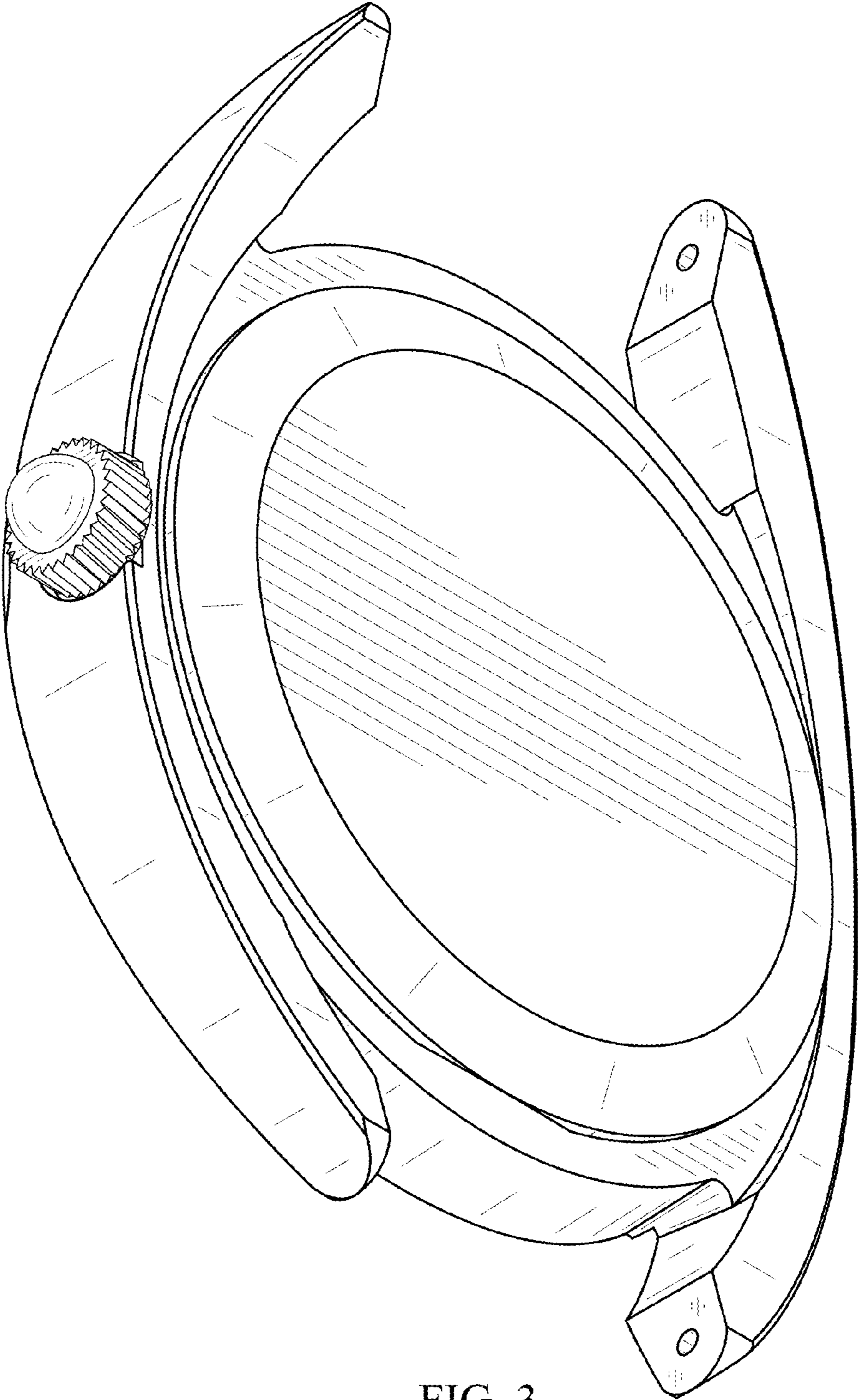


FIG. 3

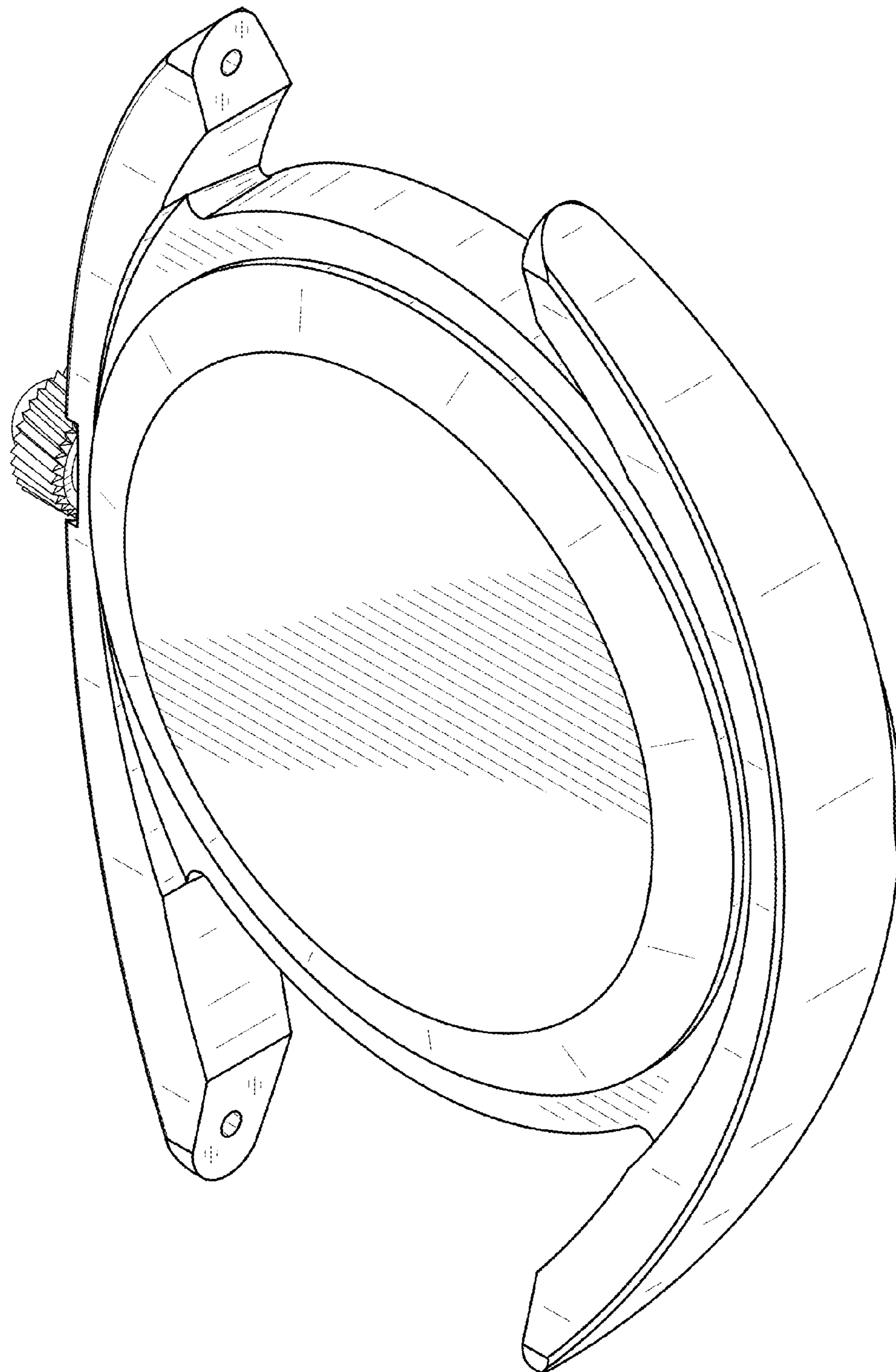


FIG. 4

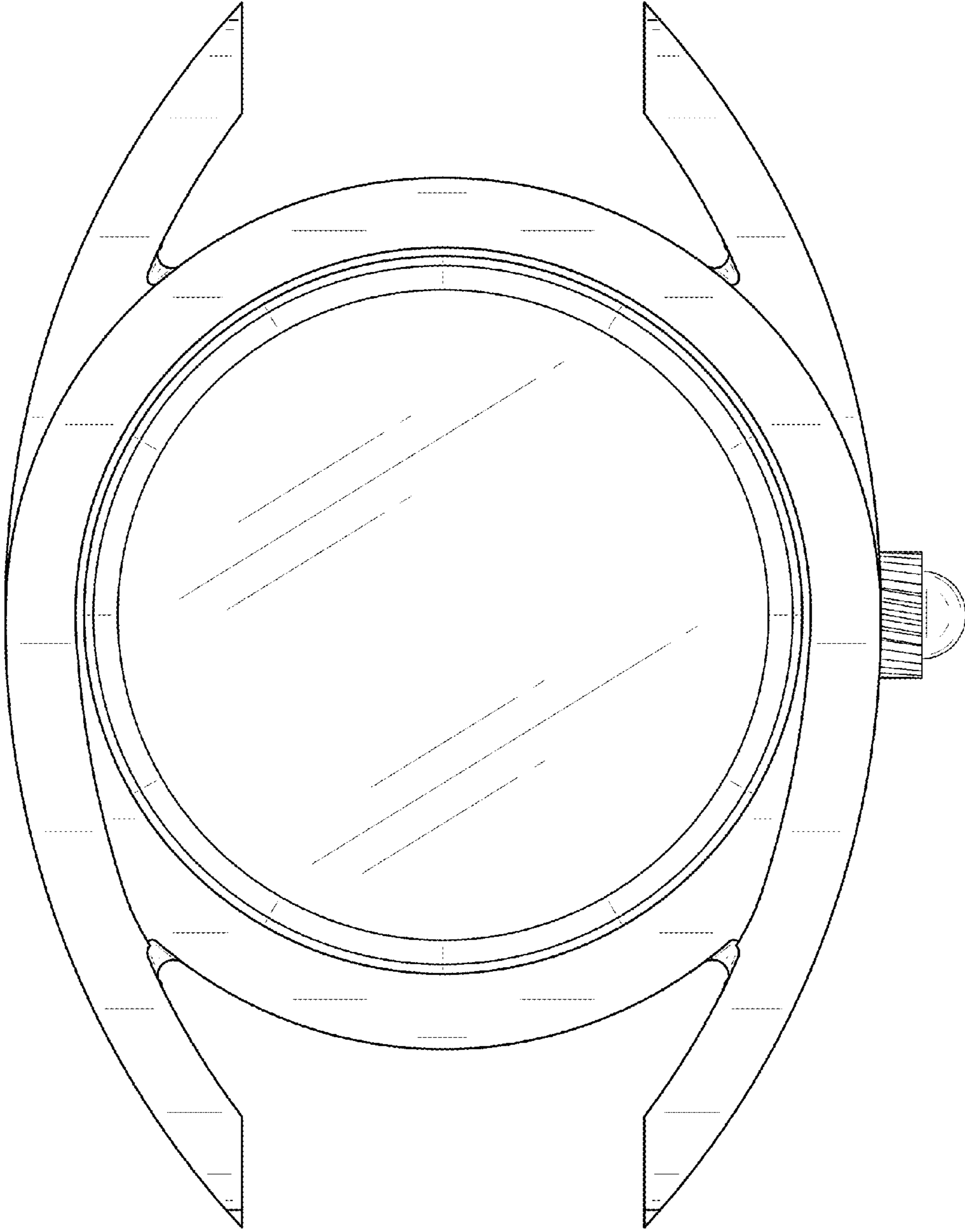


FIG. 5

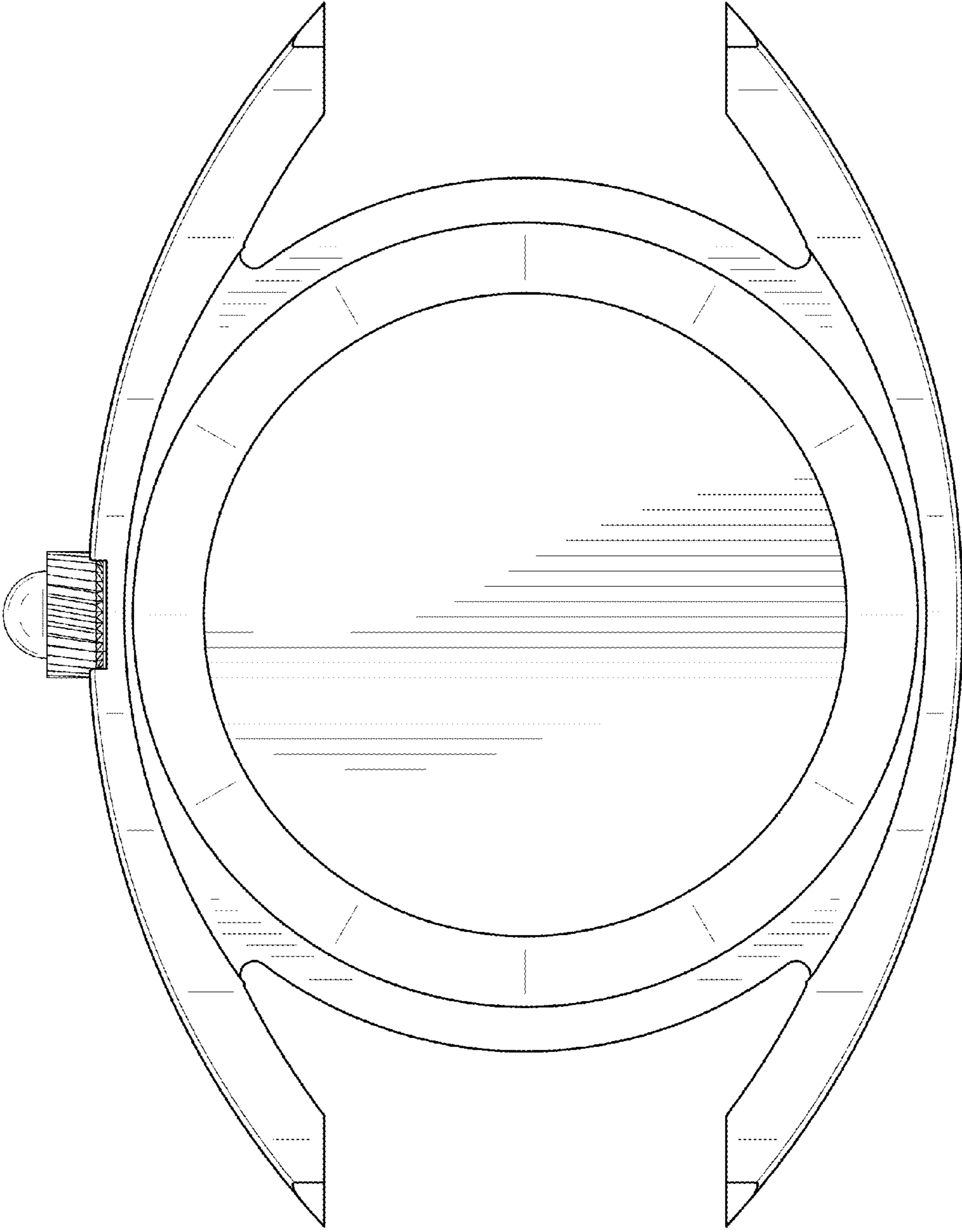


FIG. 6

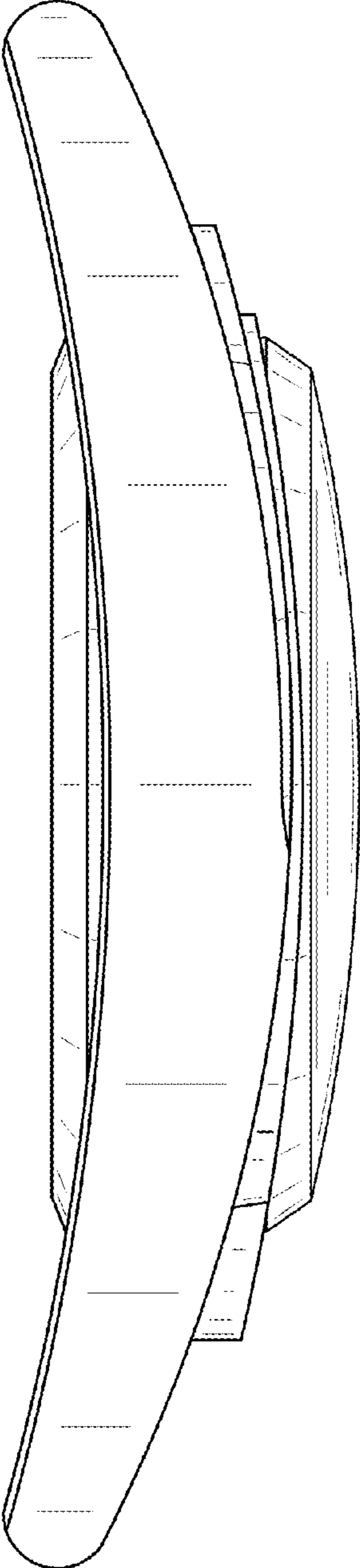


FIG. 7

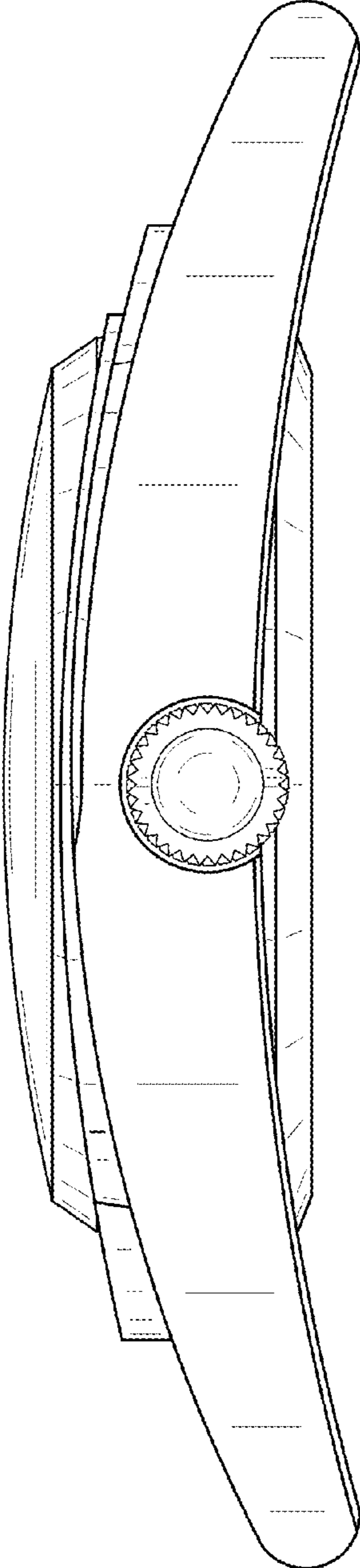


FIG. 8

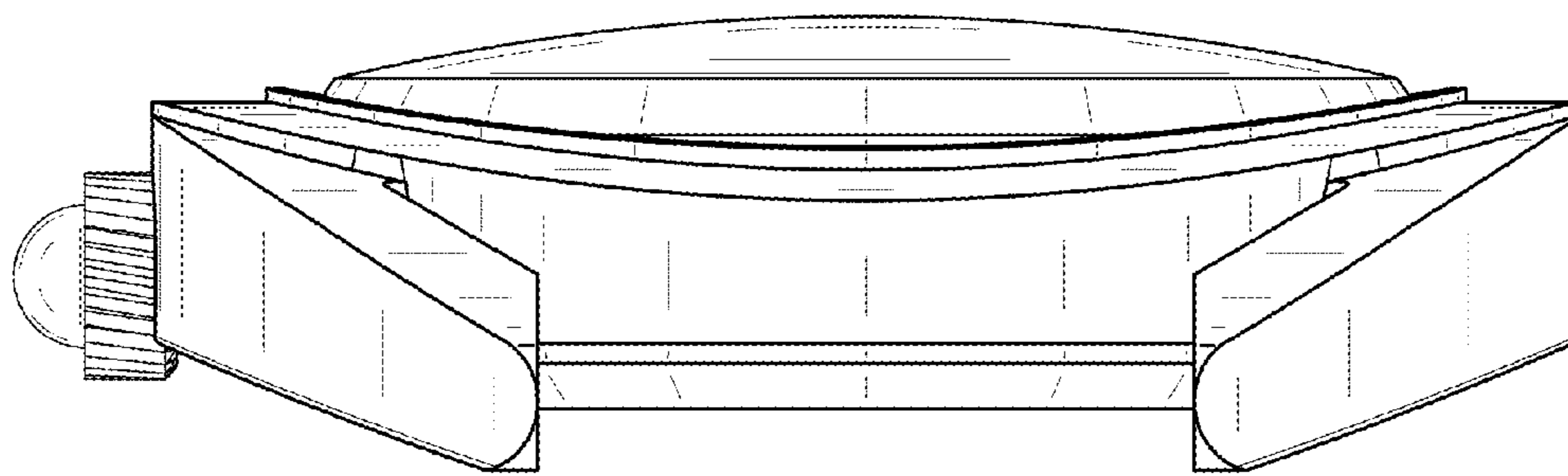


FIG. 9

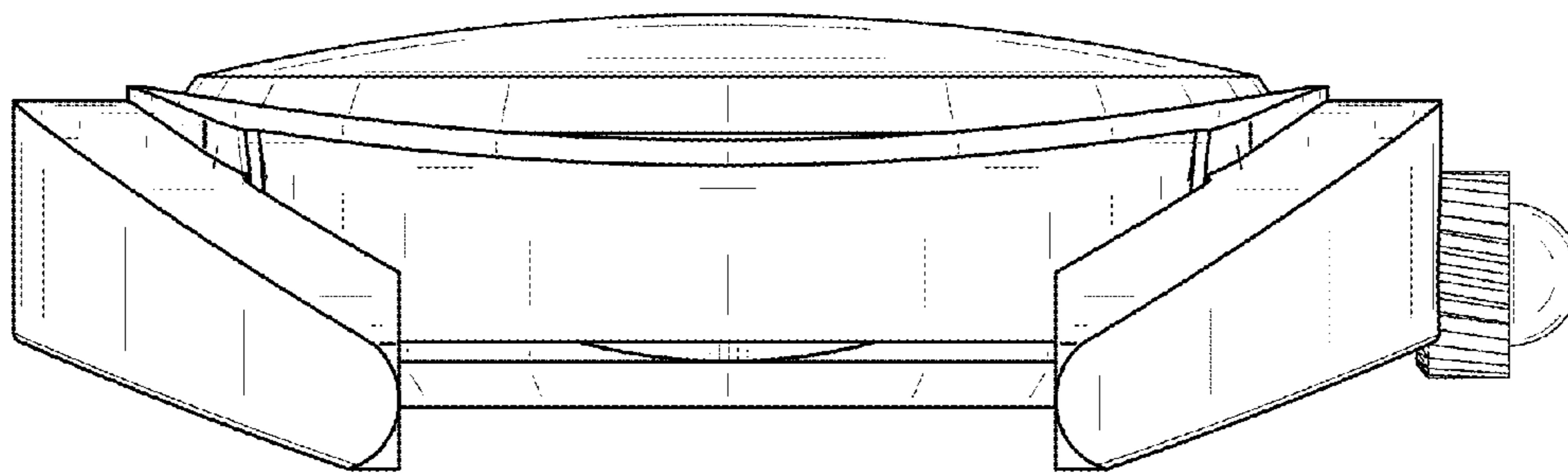


FIG. 10