



US00D767411S

(12) **United States Design Patent**
Rabassa

(10) **Patent No.:** **US D767,411 S**

(45) **Date of Patent:** **** Sep. 27, 2016**

(54) **WRIST WATCH**

(71) Applicant: **Cartier Creation Studio S.A.**, Geneva (CH)

(72) Inventor: **Serge Rabassa**, Vessy (CH)

(73) Assignee: **Cartier Creation Studio S.A.**, Geneva (CH)

(**) Term: **14 Years**

(21) Appl. No.: **29/497,078**

(22) Filed: **Jul. 21, 2014**

(30) **Foreign Application Priority Data**

Jan. 21, 2014 (WO) DM/083158

(51) **LOC (10) Cl.** **10-02**

(52) **U.S. Cl.**
USPC **D10/30**

(58) **Field of Classification Search**

USPC D10/30-39, 1-29, 122-132
CPC G04B 19/00; G04B 19/28; G04B 19/283;
G04B 19/286; G04B 37/00; G04B 37/0008;
G04B 37/0058; G04B 37/1486

See application file for complete search history.

(56) **References Cited**

U.S. PATENT DOCUMENTS

3,901,023 A * 8/1975 Uebelhardt G04B 37/1486
368/281
D371,077 S * 6/1996 Terashima D10/30

D394,214 S * 5/1998 Sang D10/30
D394,817 S * 6/1998 Roales D10/30
D410,199 S * 5/1999 Calvani D10/30
D434,679 S * 12/2000 Dumas D10/30
D488,724 S * 4/2004 Bertucci D10/30
7,111,978 B2 * 9/2006 Gerber G04B 19/283
368/295
D582,296 S * 12/2008 Bertucci D10/38
D624,442 S * 9/2010 Clerc D10/38
D624,443 S * 9/2010 Cerrato D10/38
8,272,778 B2 * 9/2012 Hiranuma G04B 19/286
368/294
D719,467 S * 12/2014 Bradbury D10/32

* cited by examiner

Primary Examiner — Sandra Snapp

(74) *Attorney, Agent, or Firm* — Cohen & Hildebrand, PLLC

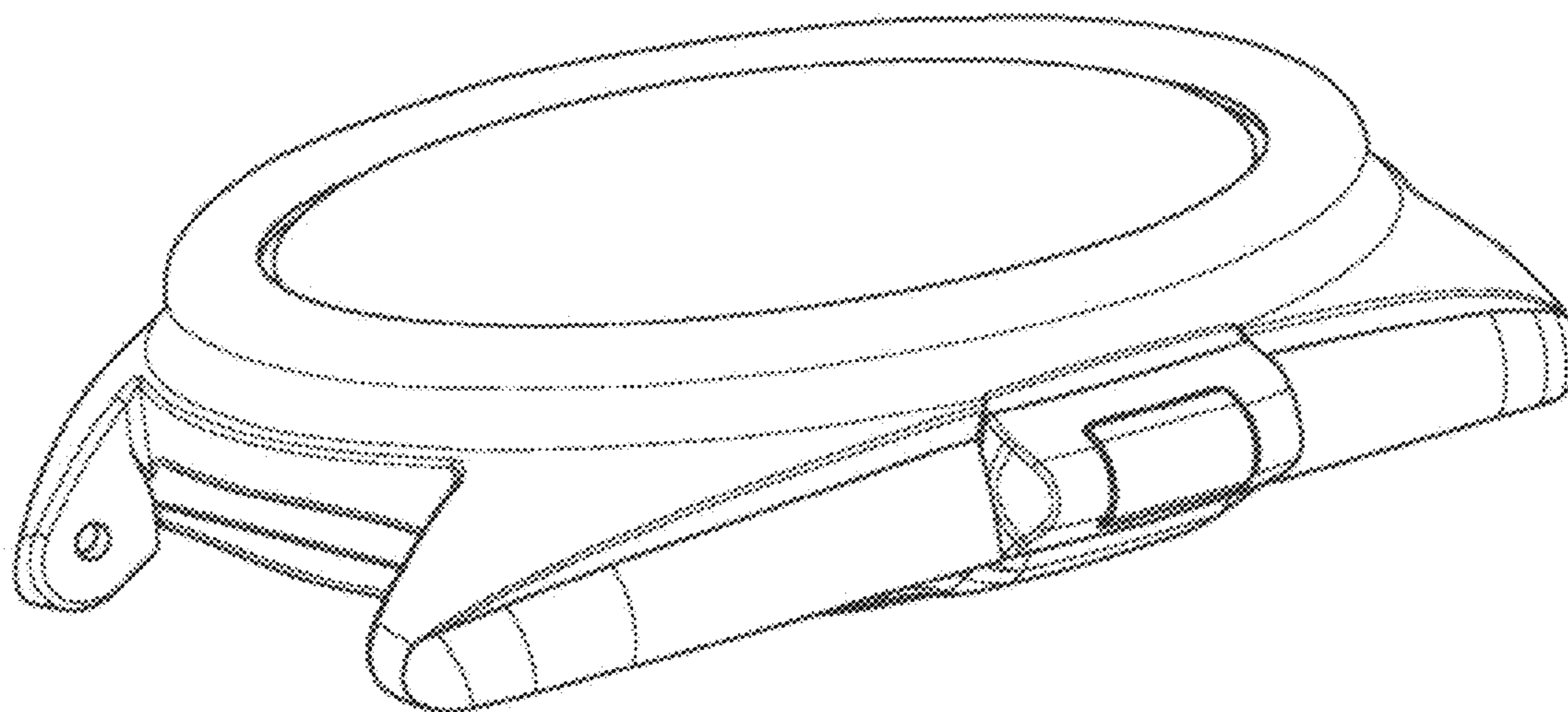
(57) **CLAIM**

The ornamental design for a wrist watch, as shown and described.

DESCRIPTION

FIG. 1 is a right front perspective view of a wrist watch showing my new design;
FIG. 2 is a front elevational view thereof;
FIG. 3 is a rear elevational view thereof;
FIG. 4 is a bottom plan view thereof;
FIG. 5 is a top plan view thereof;
FIG. 6 is a right side elevational view thereof; and,
FIG. 7 is a left side elevational view thereof.

1 Claim, 7 Drawing Sheets



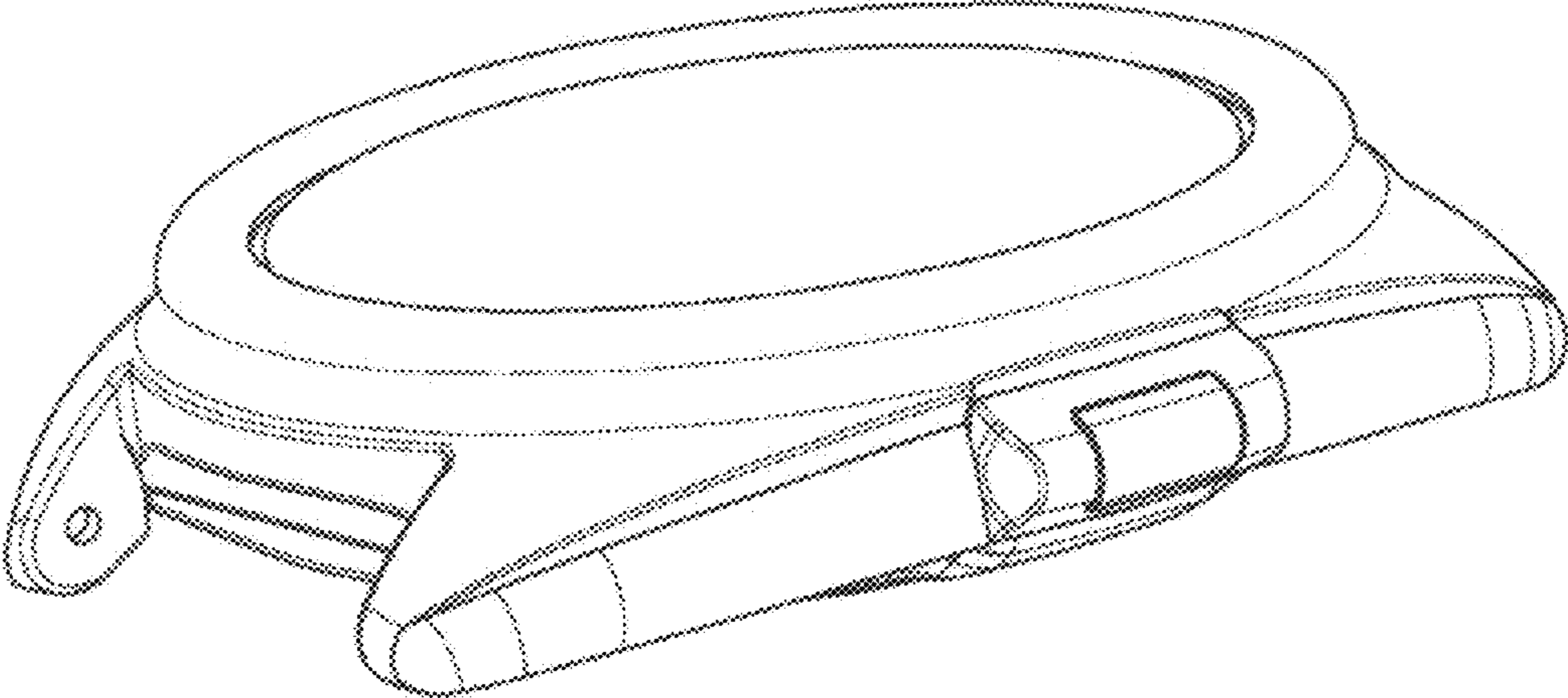


FIG. 1

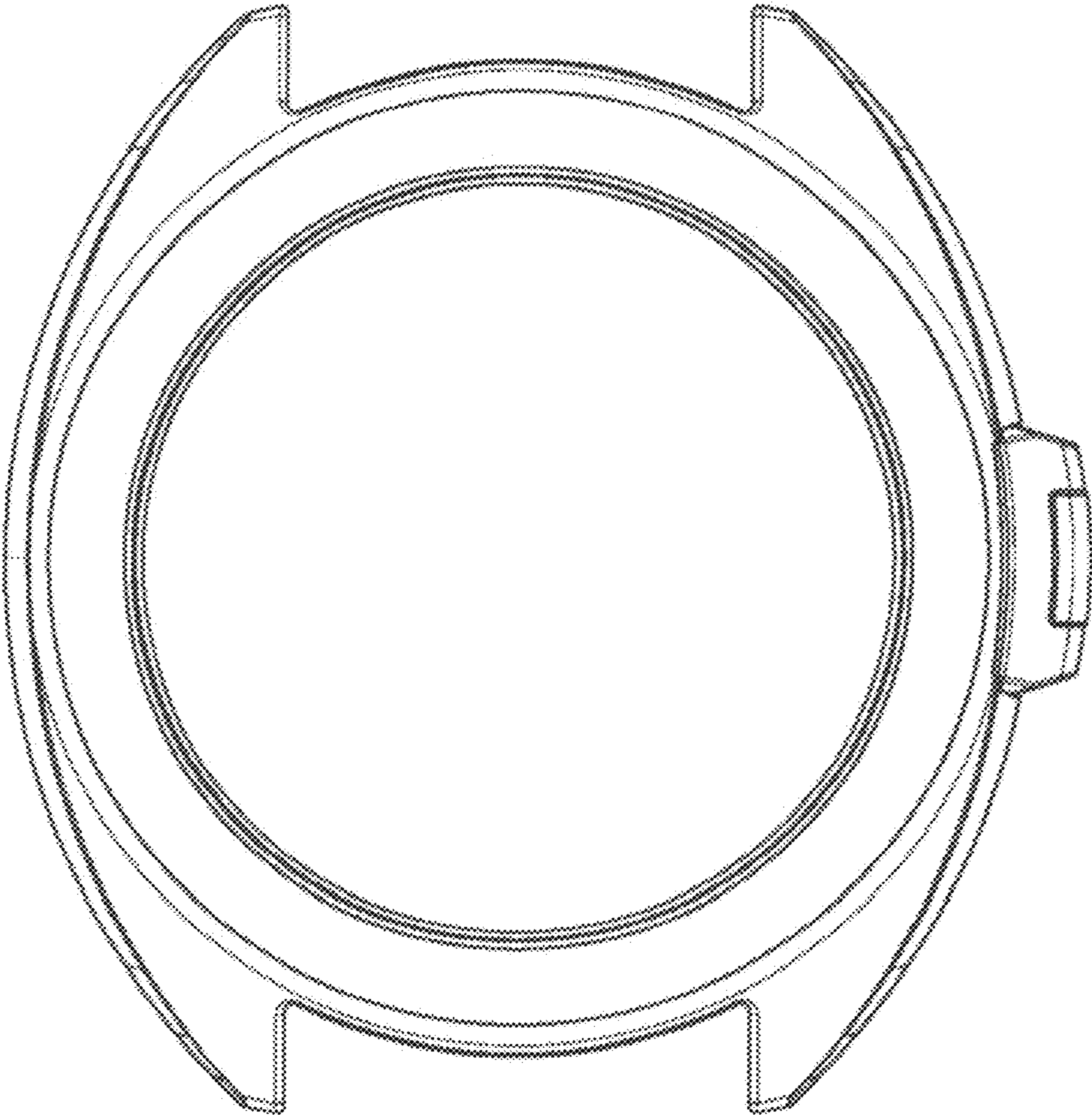


FIG. 2

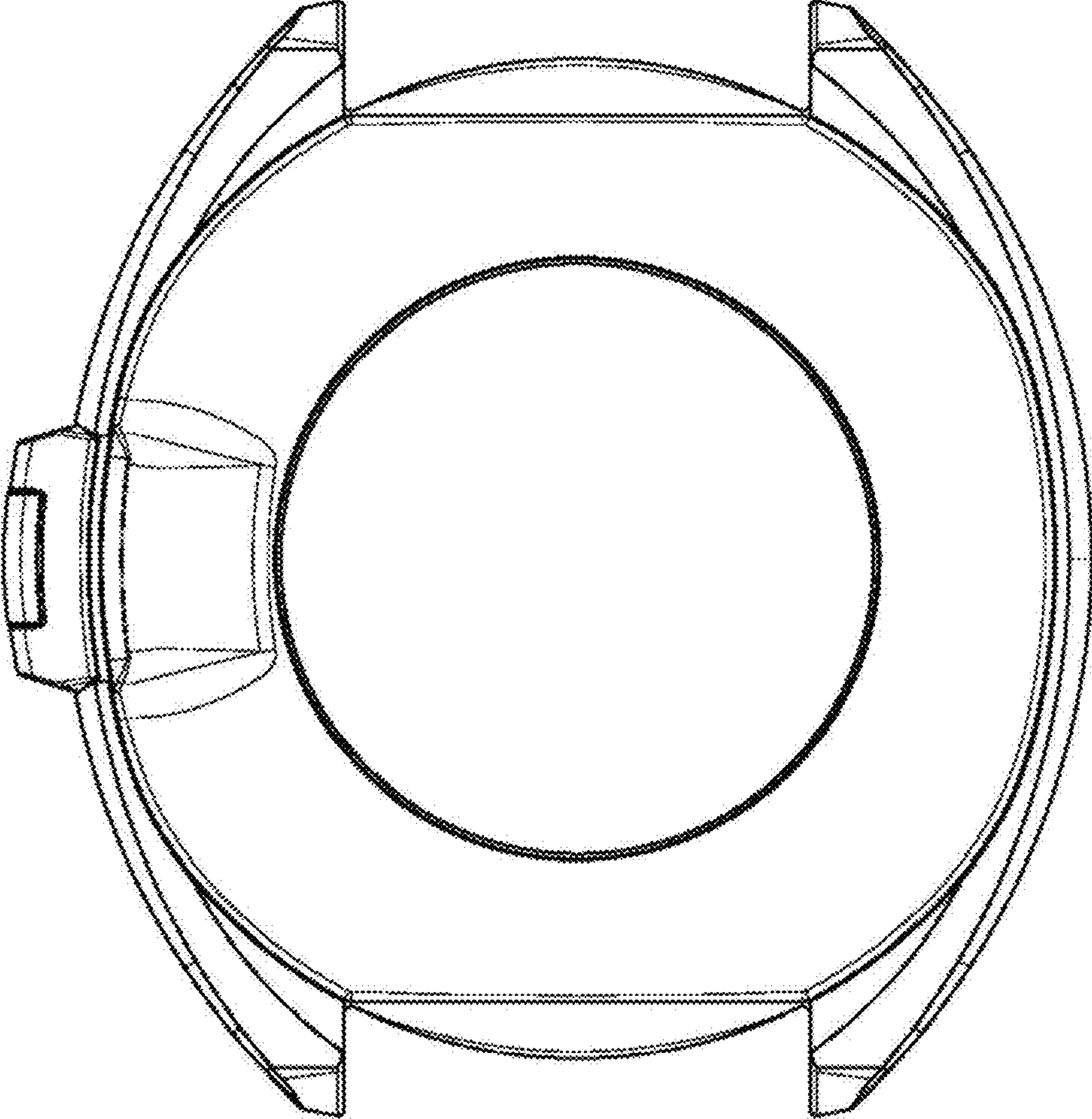


FIG. 3

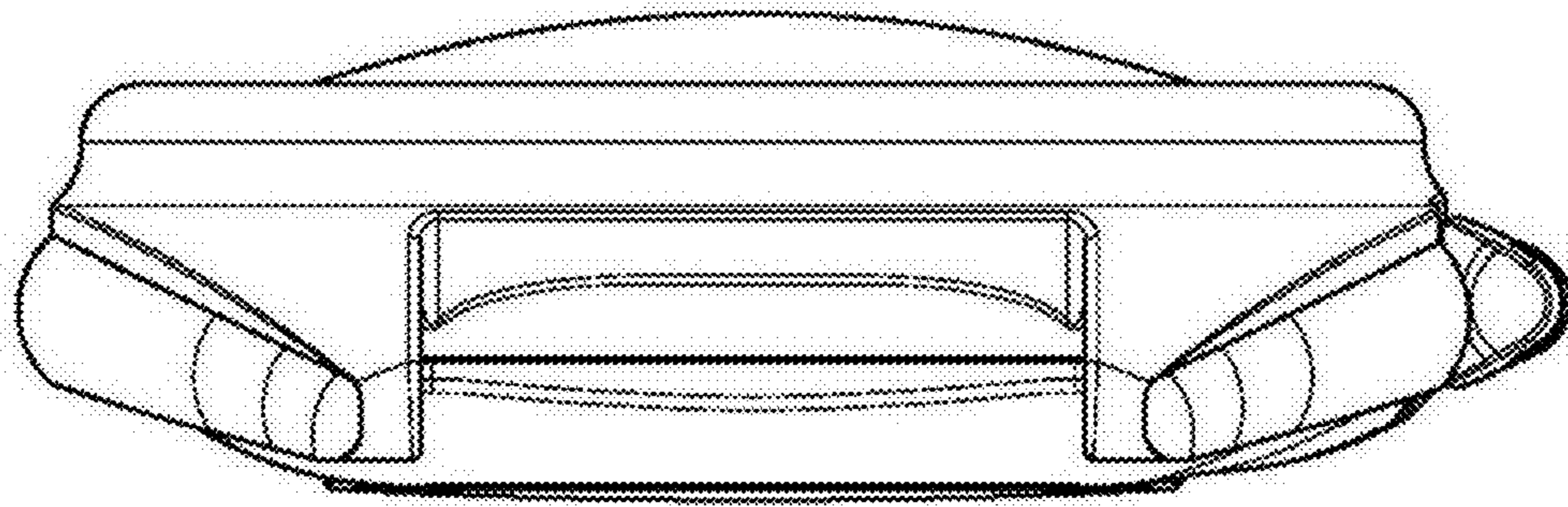


FIG. 4

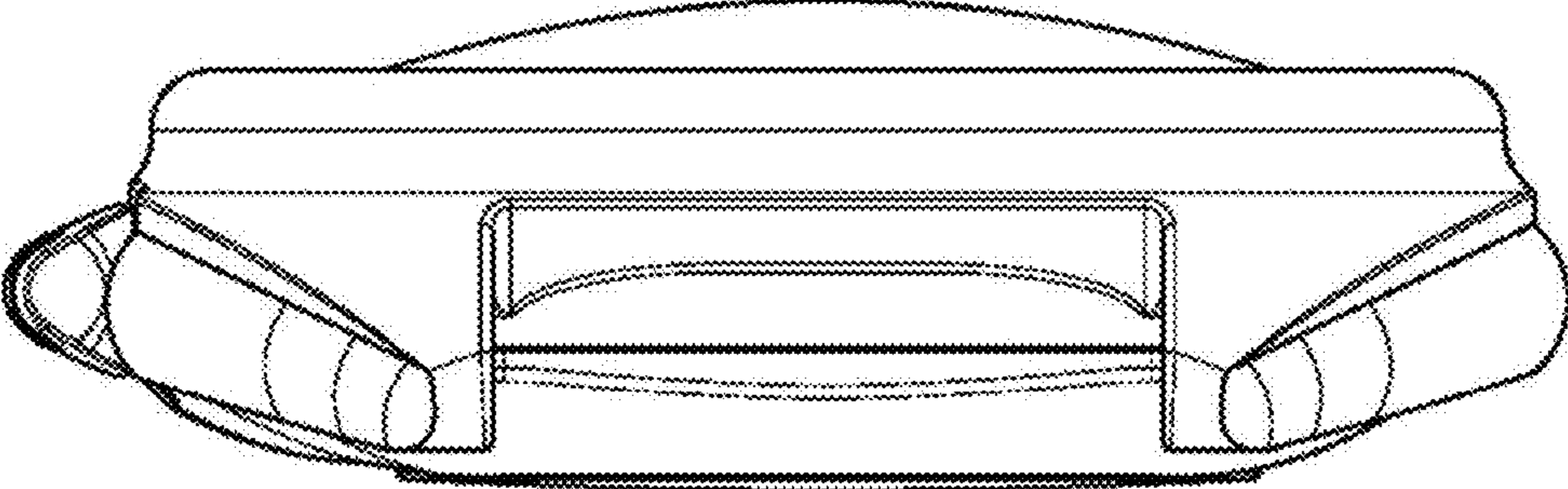


FIG. 5

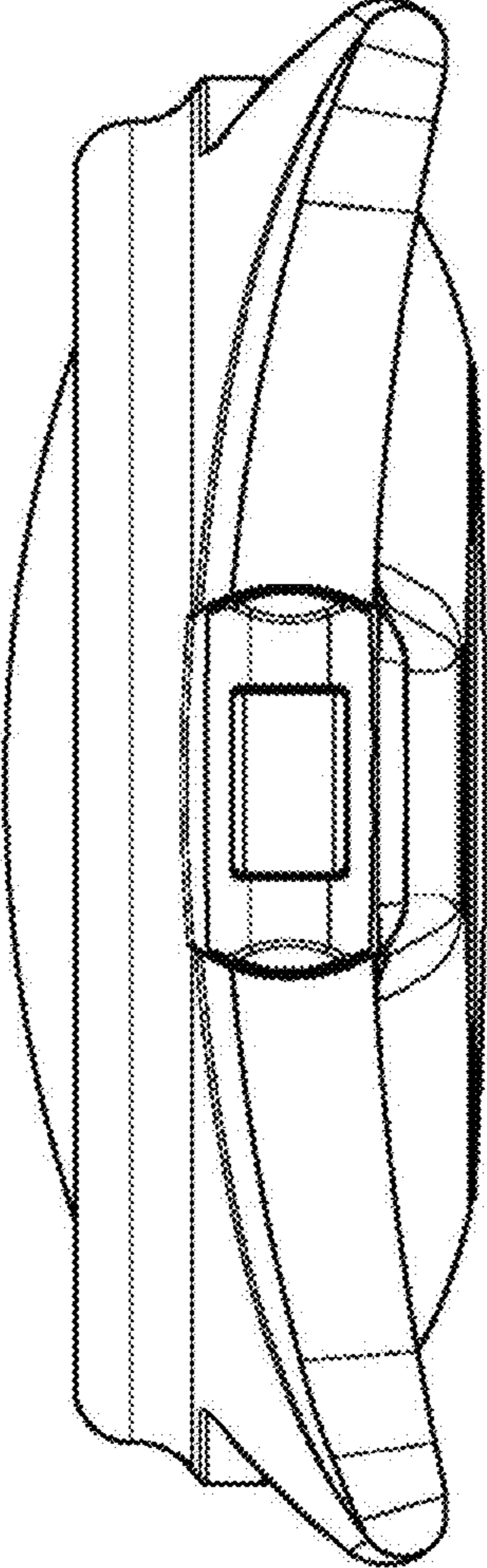


FIG. 6

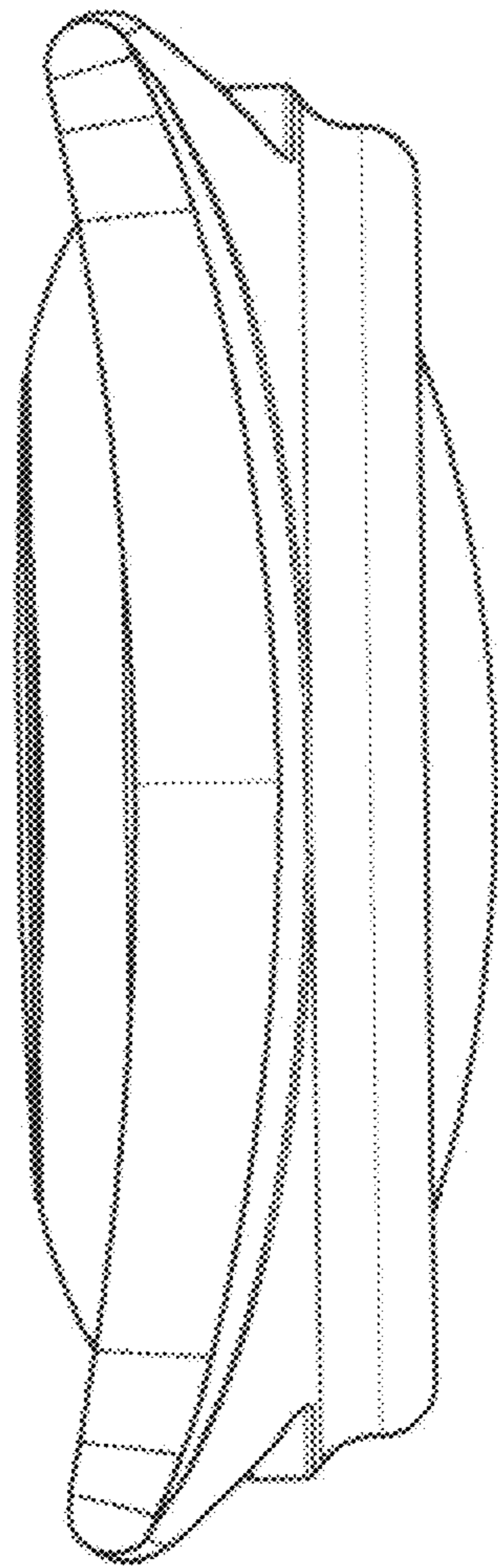


FIG. 7