



US00D767409S

(12) **United States Design Patent** (10) **Patent No.:** **US D767,409 S**
Nickell (45) **Date of Patent:** **** Sep. 27, 2016**

(54) **TRAY**

(71) Applicant: **ASCLEMED USA, INC.**, Torrance, CA (US)

(72) Inventor: **Robert P Nickell**, Torrance, CA (US)

(**) Term: **14 Years**

(21) Appl. No.: **29/522,870**

(22) Filed: **Apr. 2, 2015**

(51) **LOC (10) Cl.** **09-03**

(52) **U.S. Cl.**
USPC **D9/737**

(58) **Field of Classification Search**

USPC D9/341, 347, 414-432, 440, 444, 447, D9/449, 450-454, 503, 504, 737, 759, 761, D9/748-749; D7/672, 601, 550.1, 551.1, D7/551.2, 551.3, 552.1, 552.2, 553.1, D7/553.2, 553.3, 553.4, 553.5, 553.7, D7/553.8, 554.1, 554.3, 555, 557, 602, D7/630, 538-542, 612-615, 584, 586, 587, D7/392.1, 709, 502, 608, 629, 622, 701, D7/703, 543-549, 317-319, 391, 392, D7/396.2, 510, 511, 554.4; D3/273, D3/201-206, 276, 283, 284, 295, 274, 302, D3/203.1, 203.6, 901, 903-905; 229/107, 229/406, 120, 125.17; 220/669-673, 675, 220/574-575, 573.1, 4.21, 660, 326, 236, 220/780-806, 4.24, 288, 260, 266, 306, 220/352, 356, 523, 23.8, 23.2, 23.83, 23.4, 220/662, 700, 701, 703, 711, 713-715, 220/719; 190/109, 110; 426/106; 206/216, 206/217, 541-550, 518, 557, 558, 561, 564, 206/223, 467, 572, 363, 438, 570; 215/211, 215/200, 224, 243; 249/126, 134; D6/300, D6/310-312; D28/73

CPC A45D 40/24; A45D 33/20; A47G 23/06; B65D 1/36; B65D 1/43; B65D 77/20

See application file for complete search history.

(56) **References Cited**

U.S. PATENT DOCUMENTS

D242,654 S *	12/1976	Rawls	206/561
D276,116 S *	10/1984	Basil	D7/541
D369,469 S *	5/1996	Gregory	D3/313
D419,772 S *	2/2000	Williams	D3/201
D472,711 S *	4/2003	Chen	D3/313
D512,836 S *	12/2005	Marnell, II	D3/313
D568,687 S *	5/2008	Lovett	D7/553.3
D569,109 S *	5/2008	Svendsen	D6/300
D595,959 S *	7/2009	Wade	D3/319
7,975,705 B2 *	7/2011	Chen	A45D 40/24 132/287
D660,085 S *	5/2012	Boone	D7/553.2
D660,086 S *	5/2012	Buchman	D7/553.2

(Continued)

OTHER PUBLICATIONS

Seville Utensil Drawer Organizer Tray, available Oct. 13, 2012, [online], [site visited Jun. 24, 2016]. Available from internet, <URL: <https://www.amazon.com/Seville-Classics-Bamboo-Utensil-Organizer/dp/B002NUXSTA>>.*

Primary Examiner — Cathron Brooks

Assistant Examiner — Teddy Falloway

(74) *Attorney, Agent, or Firm* — Payam Moradian

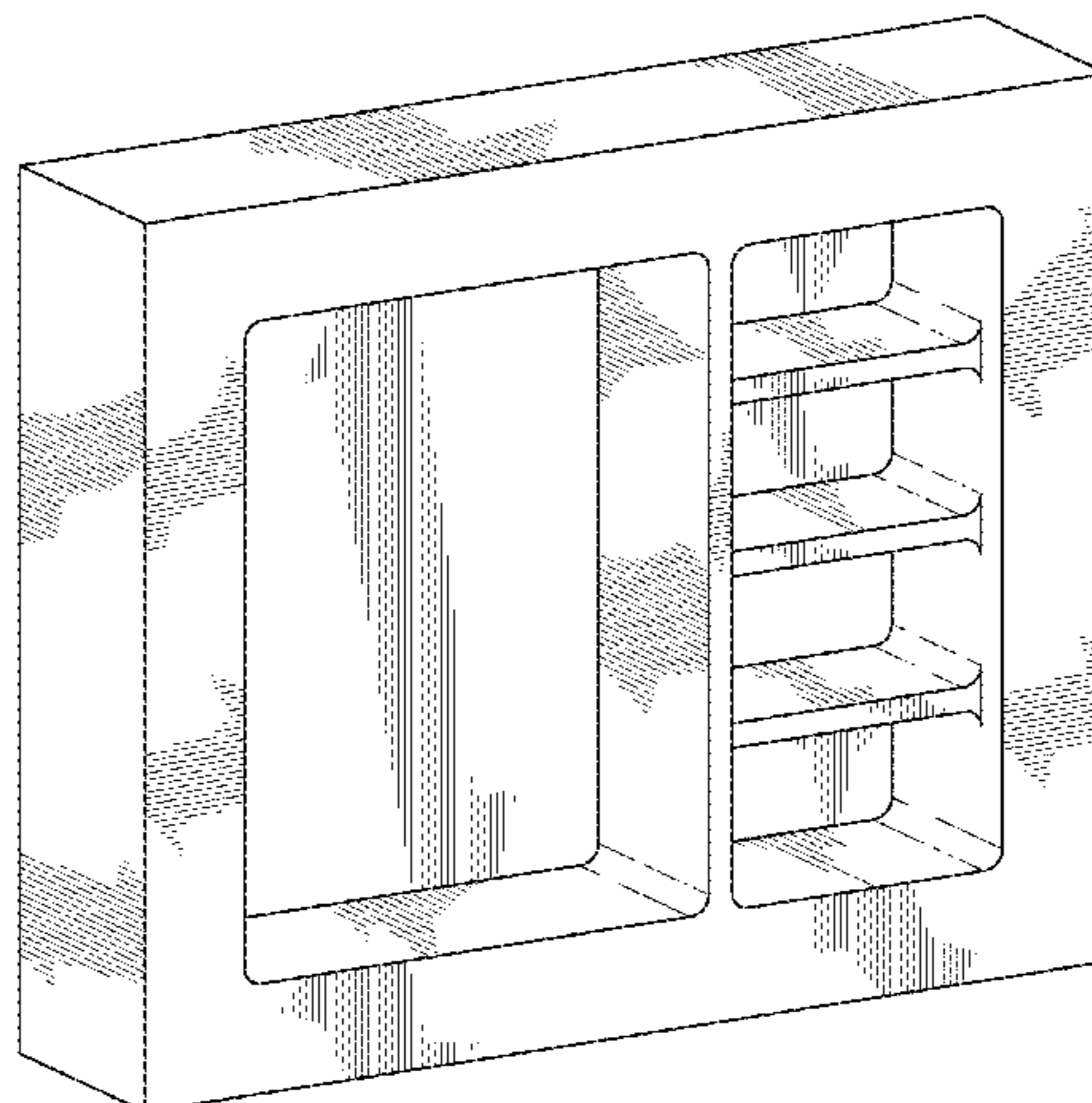
(57) **CLAIM**

I claim the ornamental design for a tray, as shown and described.

DESCRIPTION

FIG. 1 is a perspective view of the tray; FIG. 2 is a top plan view thereof; FIG. 3 is a bottom plan view thereof; FIG. 4 is a left elevation view thereof; FIG. 5 is a right elevation view thereof; FIG. 6 is a front elevation view thereof; and, FIG. 7 is a rear elevation view thereof.

1 Claim, 3 Drawing Sheets



US D767,409 S

Page 2

(56)

References Cited

U.S. PATENT DOCUMENTS

D672,395 S *	12/2012	Chuang	D19/77	2002/0108955 A1*	8/2002	Erb	B65D 77/2024 220/359.4
8,807,373 B1 *	8/2014	Russell	A47G 23/06 220/359.1	2009/0162506 A1*	6/2009	Weir	A47J 47/10 426/396
D727,623 S	4/2015	Nickell			2010/0224212 A1*	9/2010	Chen	A45D 40/24 132/287

* cited by examiner

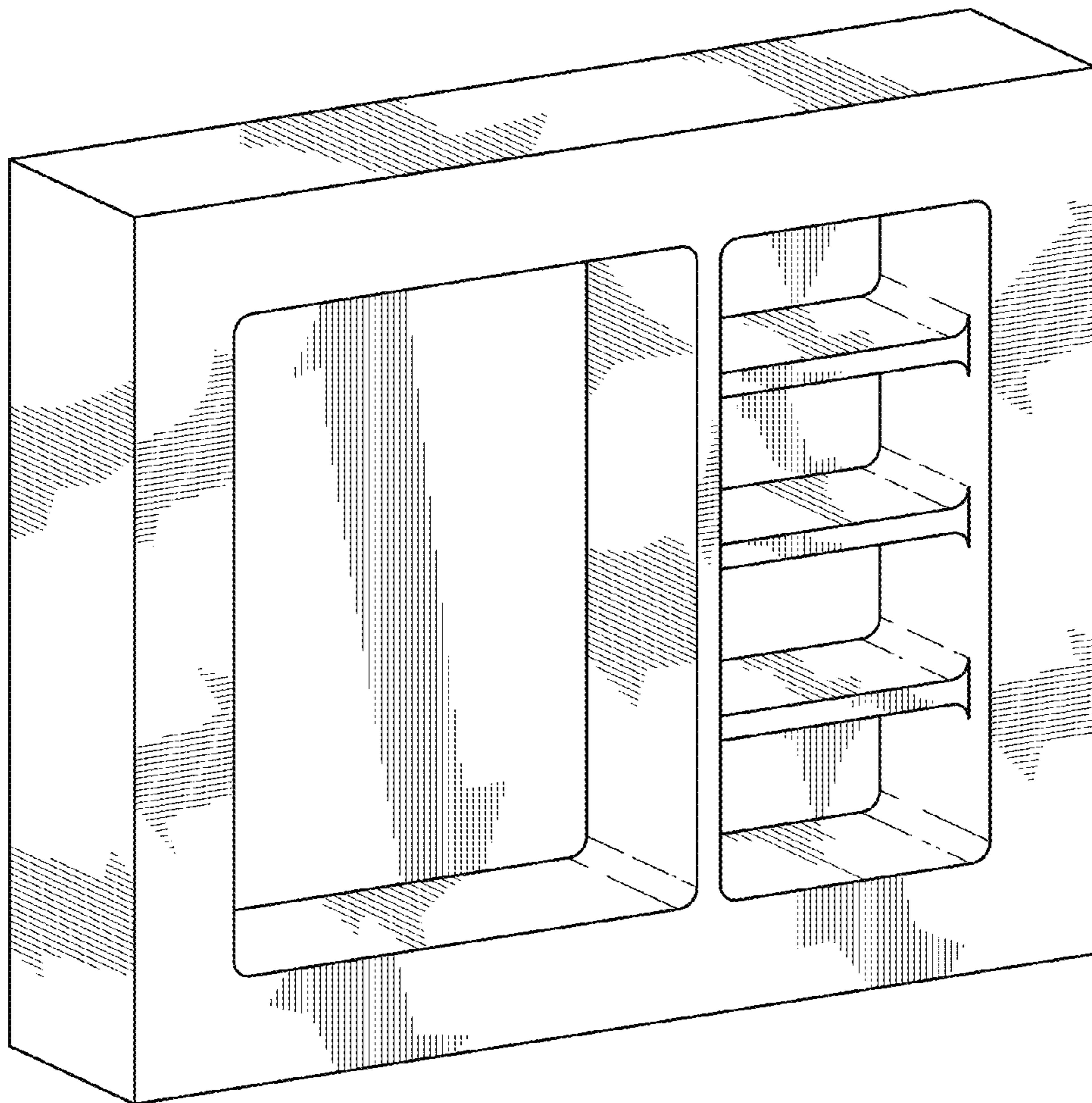


FIG. 1

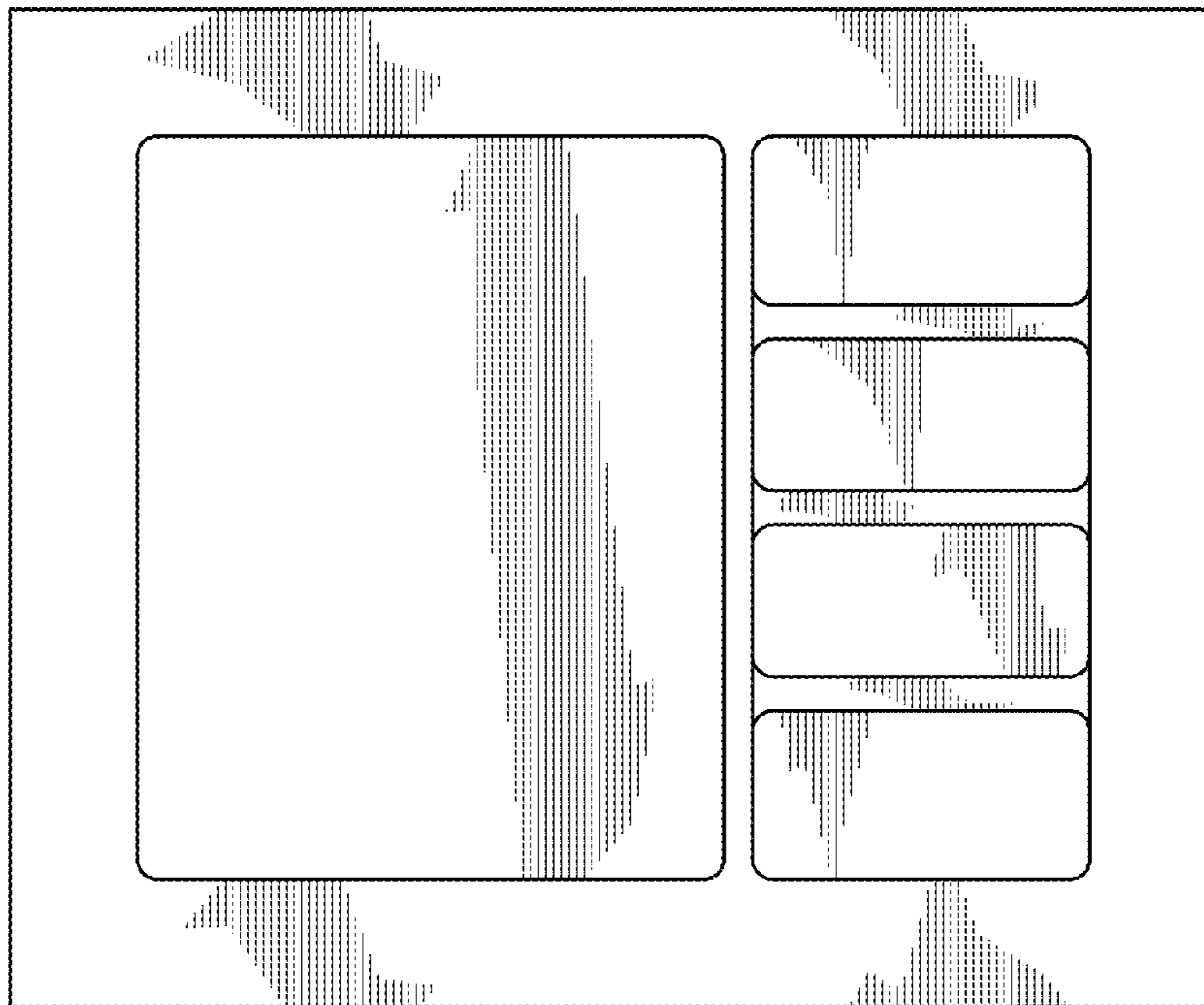


FIG. 2



FIG. 3

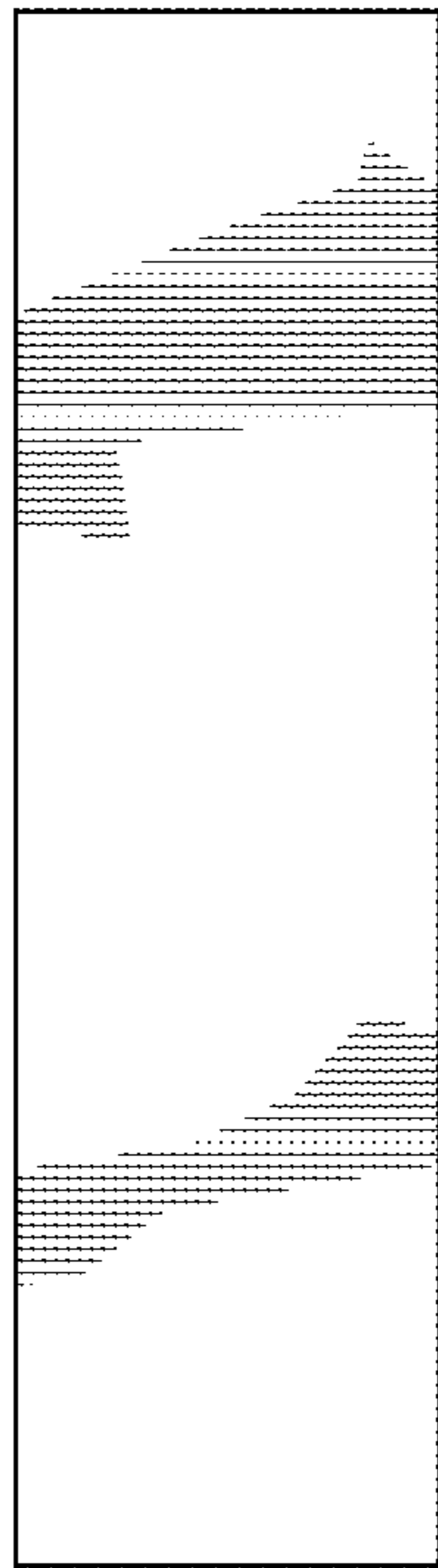


FIG. 4

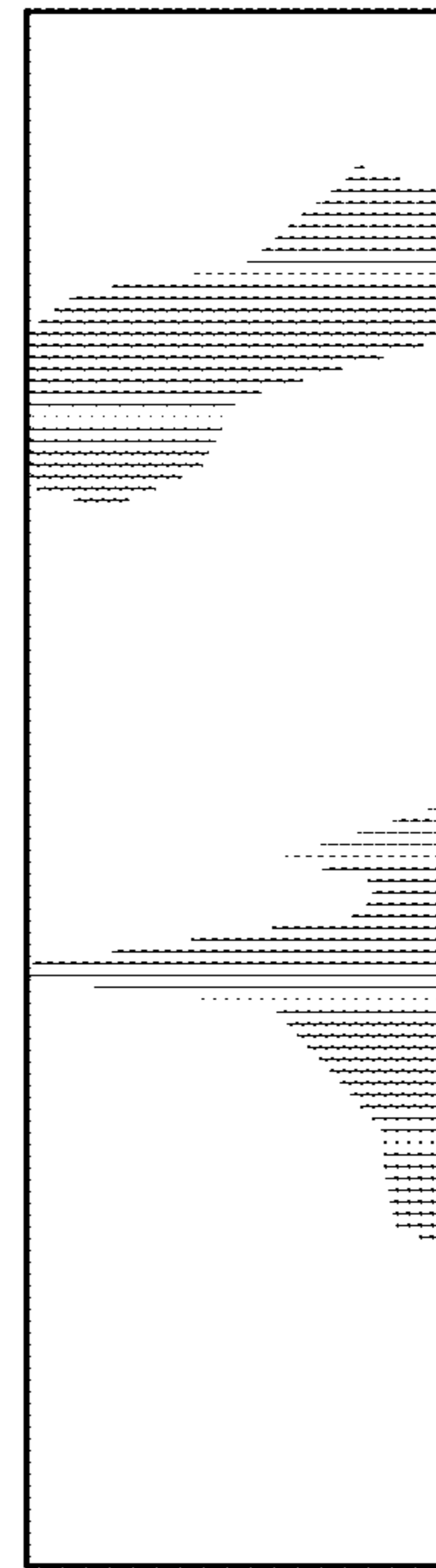


FIG. 5



FIG. 6



FIG. 7