



US00D767407S

(12) **United States Design Patent**  
**Newcomer**

(10) **Patent No.: US D767,407 S**

(45) **Date of Patent: \*\* \*Sep. 27, 2016**

(54) **DEODORANT CONTAINER**

(71) Applicant: **Bradley Newcomer**, Point Pleasant, PA  
(US)

(72) Inventor: **Bradley Newcomer**, Point Pleasant, PA  
(US)

(\*) Notice: This patent is subject to a terminal disclaimer.

(\*\*) Term: **14 Years**

(21) Appl. No.: **29/475,342**

(22) Filed: **Dec. 3, 2013**

(51) **LOC (10) Cl.** ..... **09-01**

(52) **U.S. Cl.**  
USPC ..... **D9/680**

(58) **Field of Classification Search**  
USPC ..... D7/514–515, 517, 519–520; D9/600,  
D9/680, 500–505, 516; 206/457, 527;  
215/381–384, 400; D22/112  
CPC ..... B65D 67/00  
See application file for complete search history.

(56) **References Cited**

**U.S. PATENT DOCUMENTS**

4,328,755 A \* 5/1982 Frost ..... 102/486  
D434,332 S \* 11/2000 Sir ..... D9/680  
D472,800 S \* 4/2003 Levanen et al. .... D9/680

D616,718 S \* 6/2010 van der Lande ..... D8/85  
D660,177 S \* 5/2012 Ferenc ..... D9/680  
D662,425 S \* 6/2012 Barratt ..... D9/680  
D675,537 S \* 2/2013 Nikolayev ..... D9/680  
D683,235 S 5/2013 Albert

\* cited by examiner

*Primary Examiner* — Sandra Morris

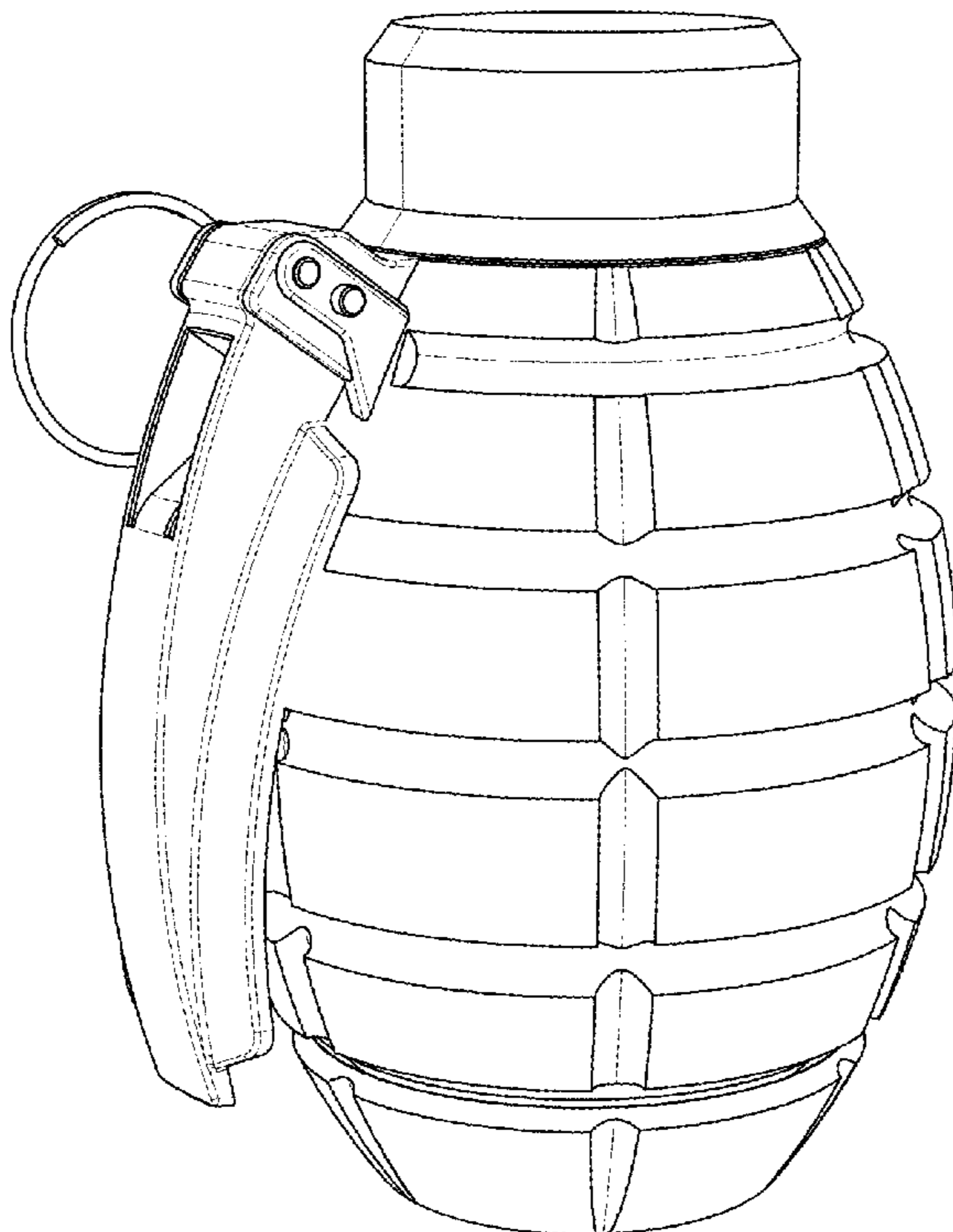
(57) **CLAIM**

I claim the ornamental design for a deodorant container, as shown and described.

**DESCRIPTION**

FIG. 1 is a perspective view of a deodorant container, showing my new design;  
FIG. 2 is a right-side elevational view thereof;  
FIG. 3 is a left-side elevational view thereof;  
FIG. 4 is a rear elevational view thereof;  
FIG. 5 is a front elevational view thereof; and,  
FIG. 6 is a top plan view thereof.

**1 Claim, 3 Drawing Sheets**



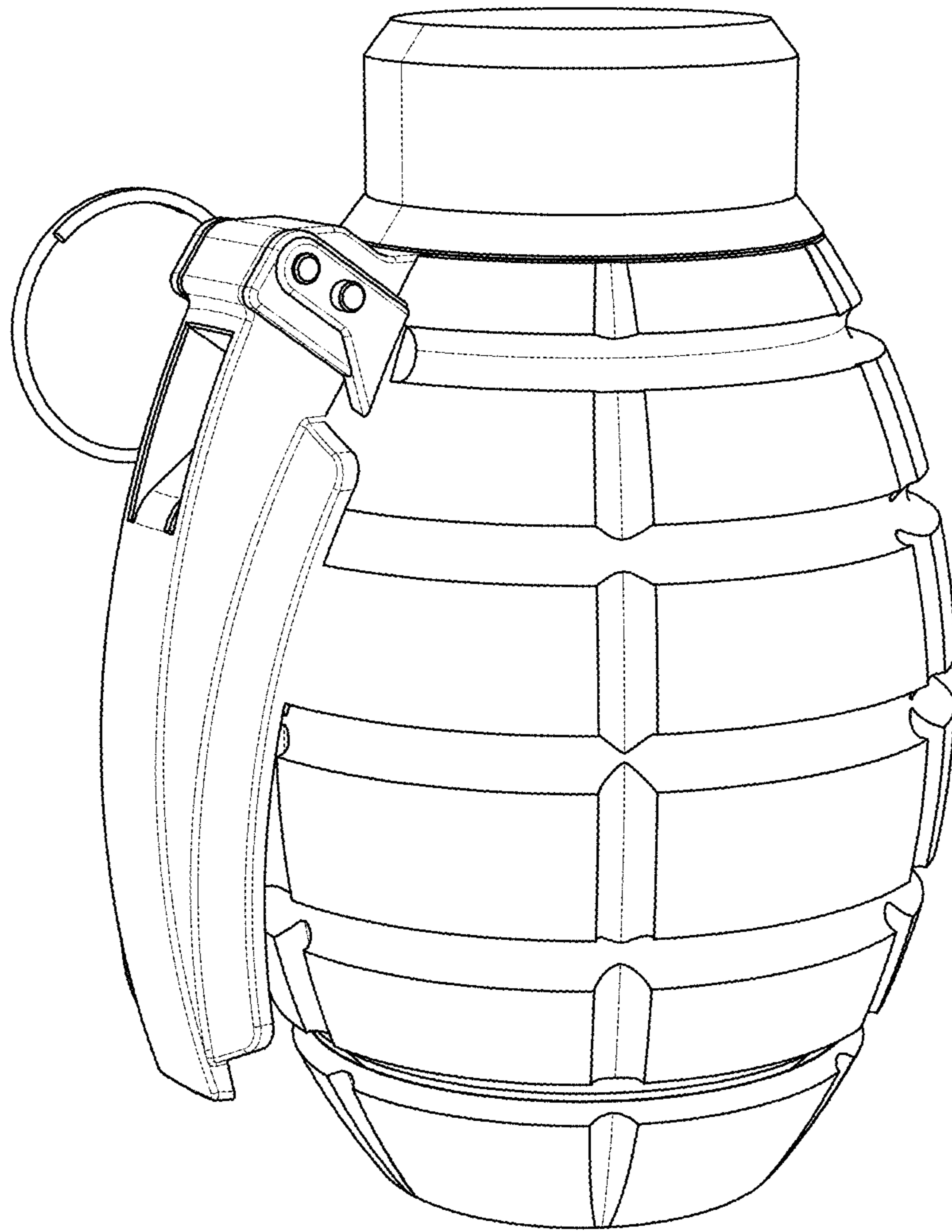


FIG. 1

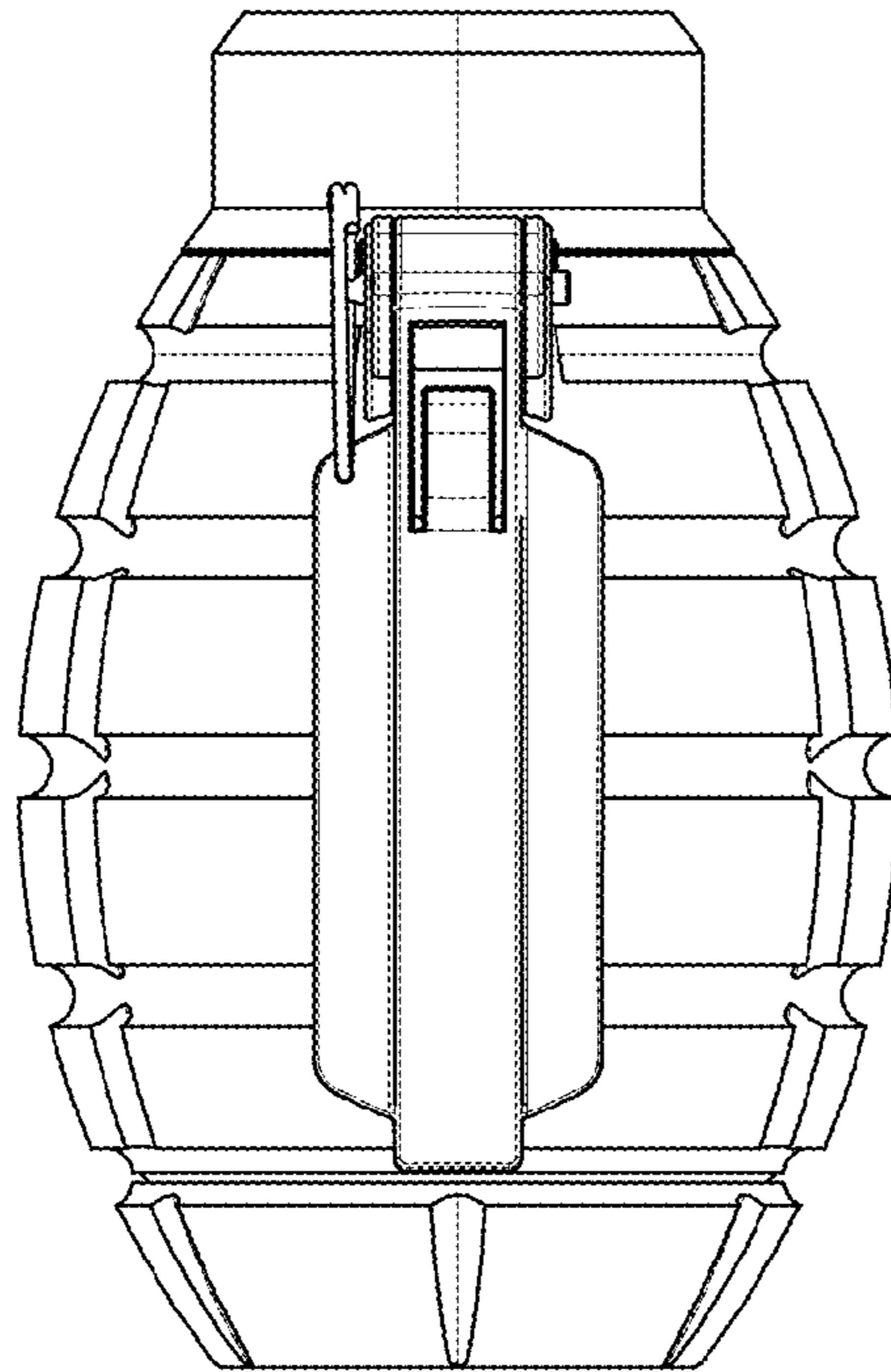


FIG. 2

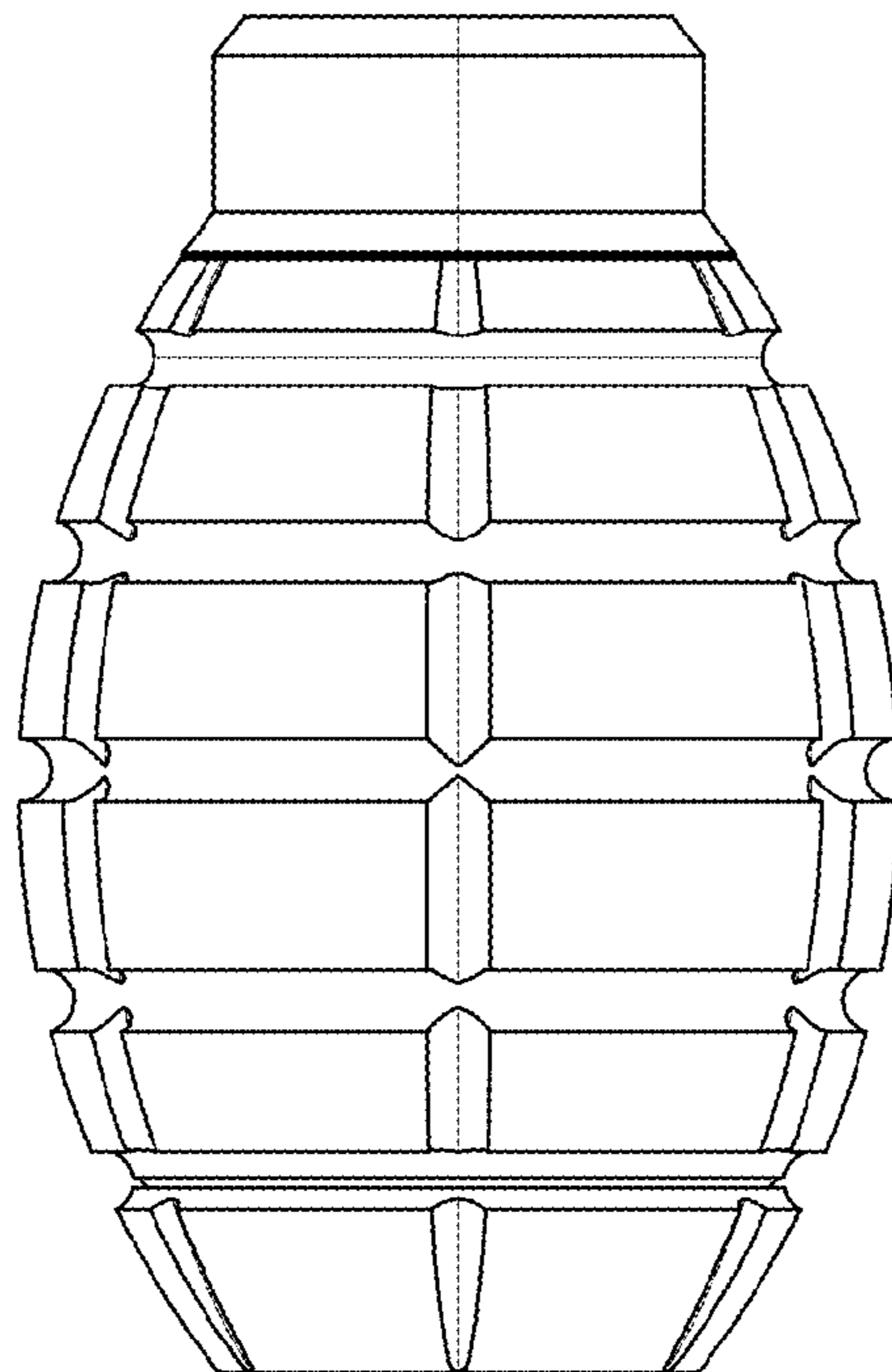


FIG. 3

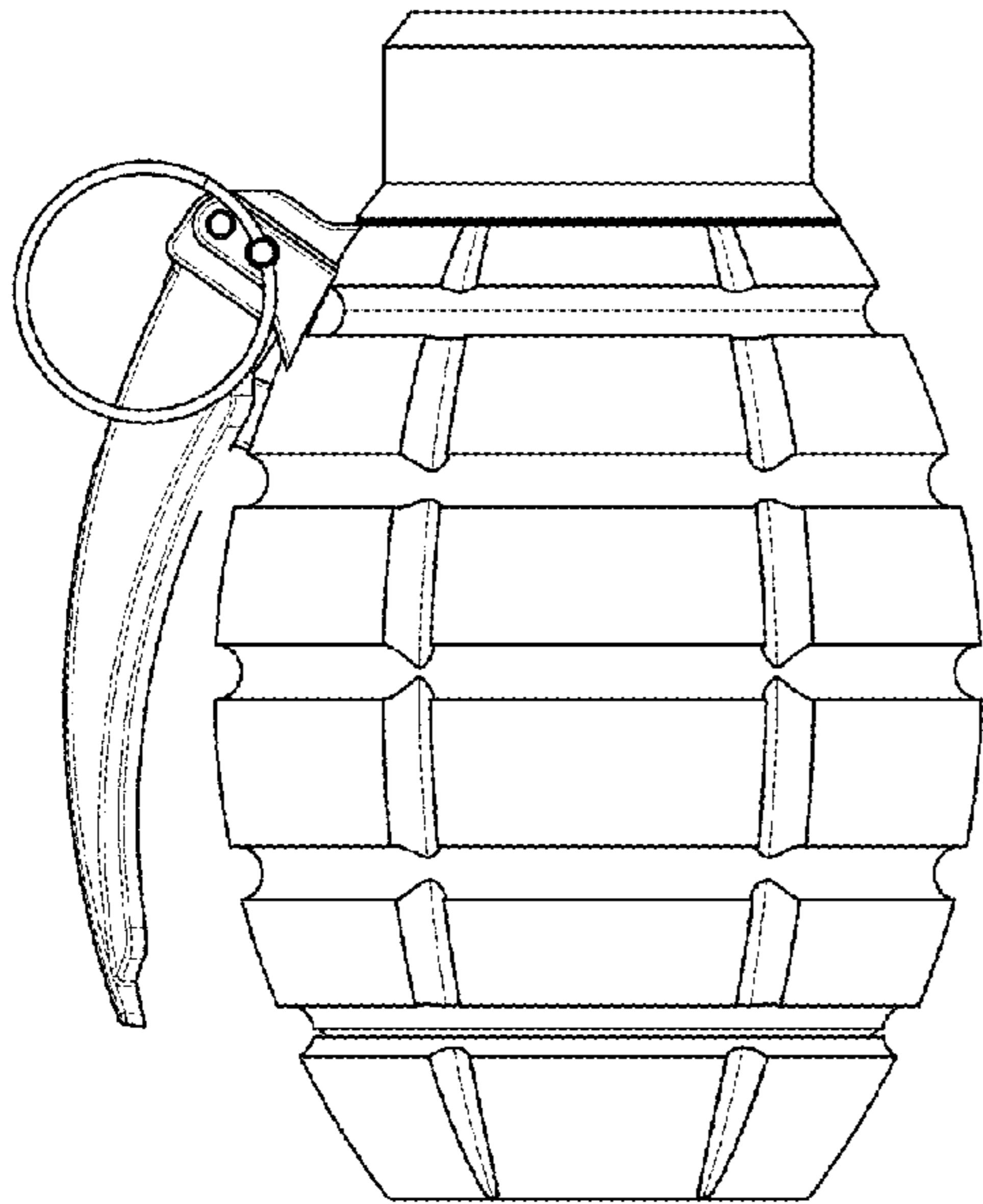


FIG.4

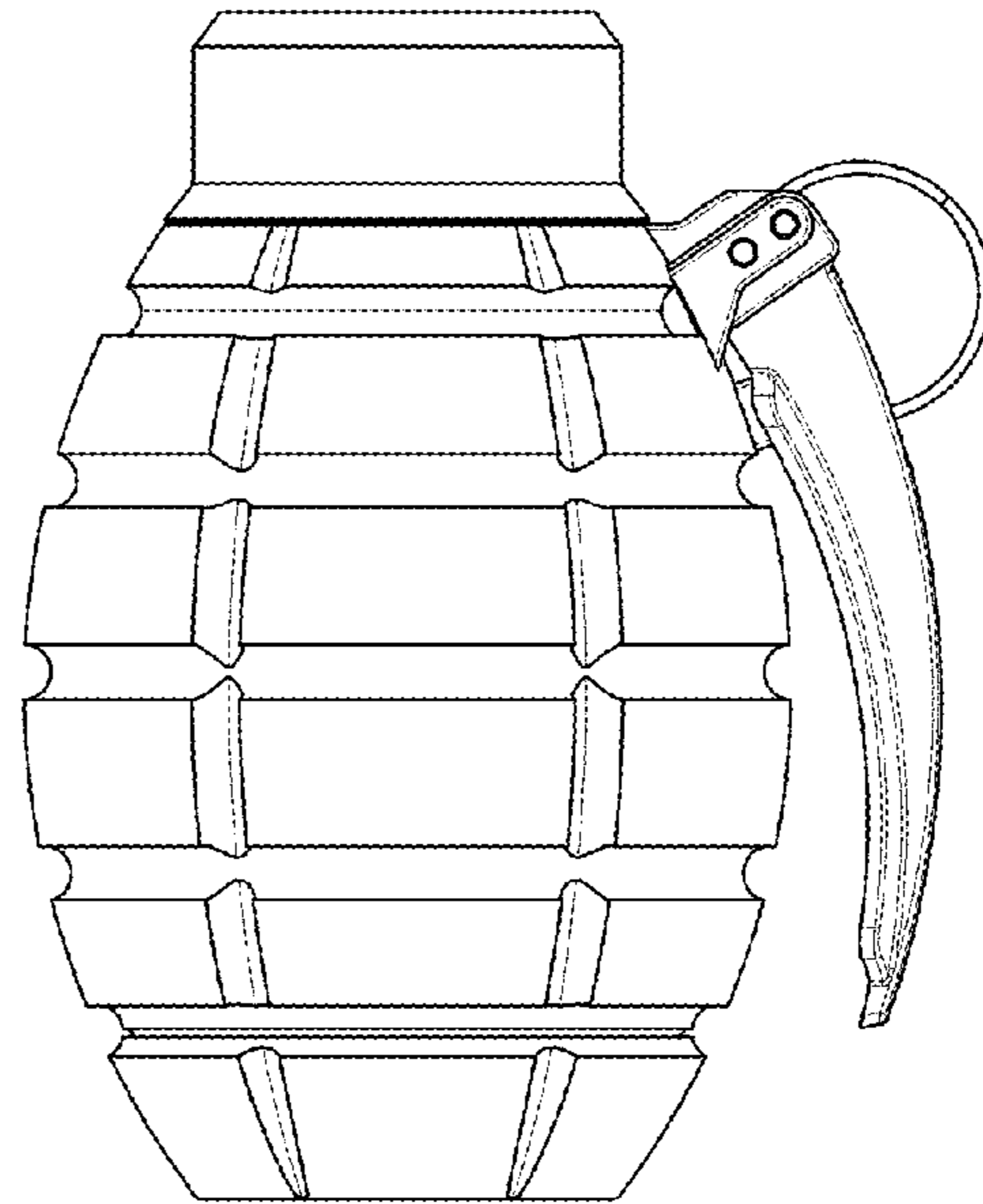


FIG.5

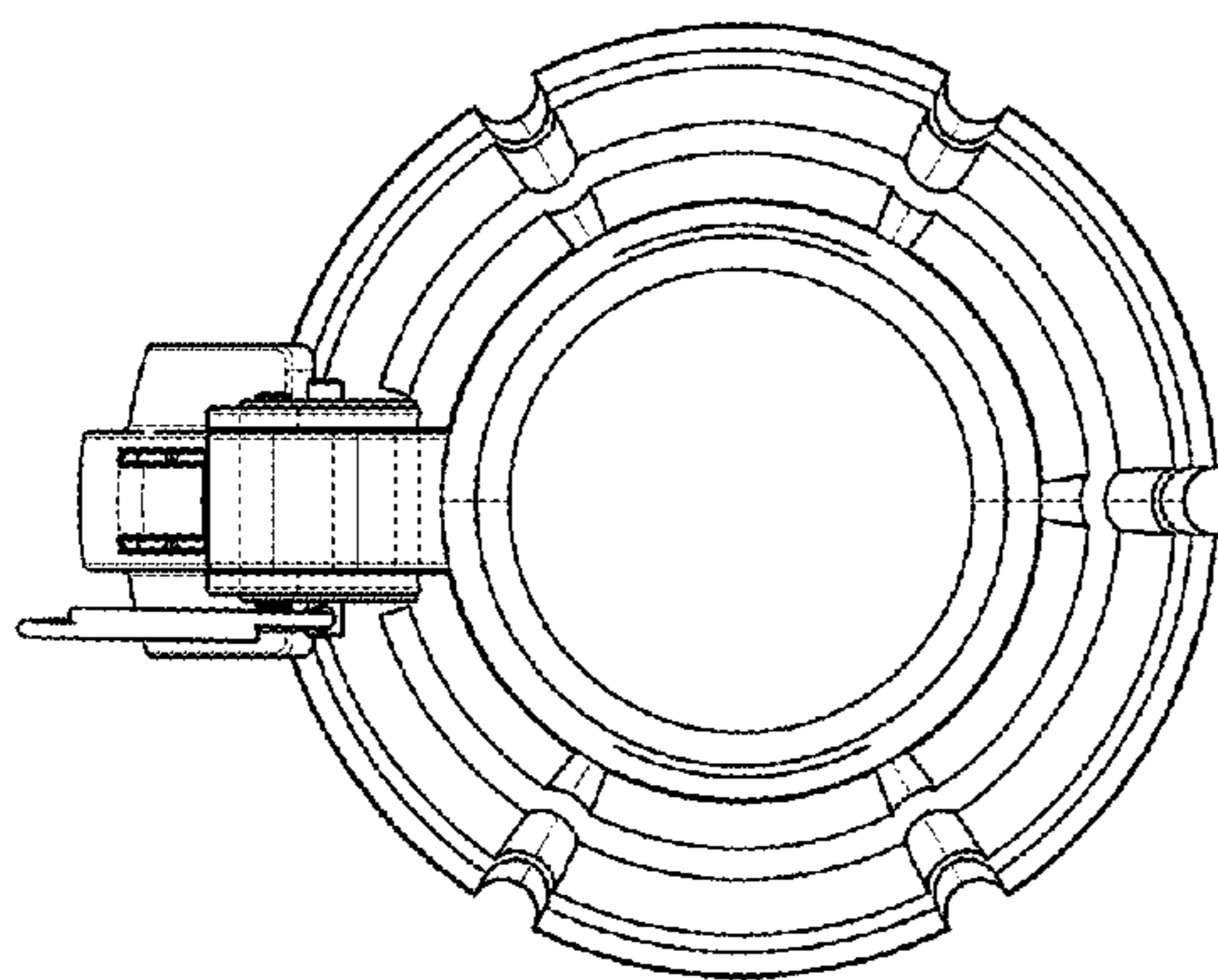


FIG.6

UNITED STATES PATENT AND TRADEMARK OFFICE  
**CERTIFICATE OF CORRECTION**

PATENT NO. : D767,407 S  
APPLICATION NO. : 29/475342  
DATED : September 27, 2016  
INVENTOR(S) : Newcomer et al.

Page 1 of 1

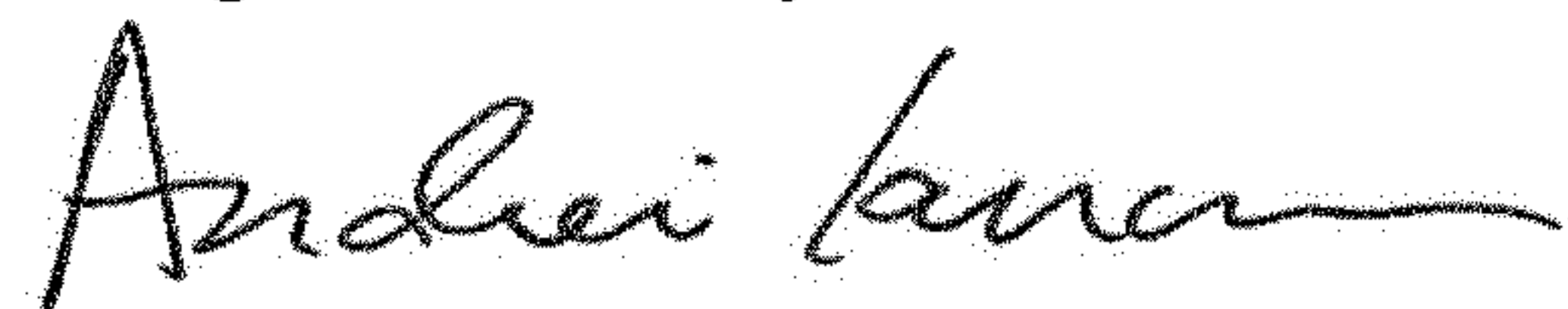
It is certified that error appears in the above-identified patent and that said Letters Patent is hereby corrected as shown below:

On the Title Page

Item (12) "Newcomer" should read -- Newcomer, et al. --.

Item (72) Inventor is corrected to read:  
-- Bradley Newcomer, Point Pleasant (PA);  
Shaun T. Kjellman, Kirkland (WA);  
Iulian-Alin Zanfirescu, Sag (TI) --.

Signed and Sealed this  
Eighteenth Day of June, 2019



Andrei Iancu  
*Director of the United States Patent and Trademark Office*