

US00D767405S

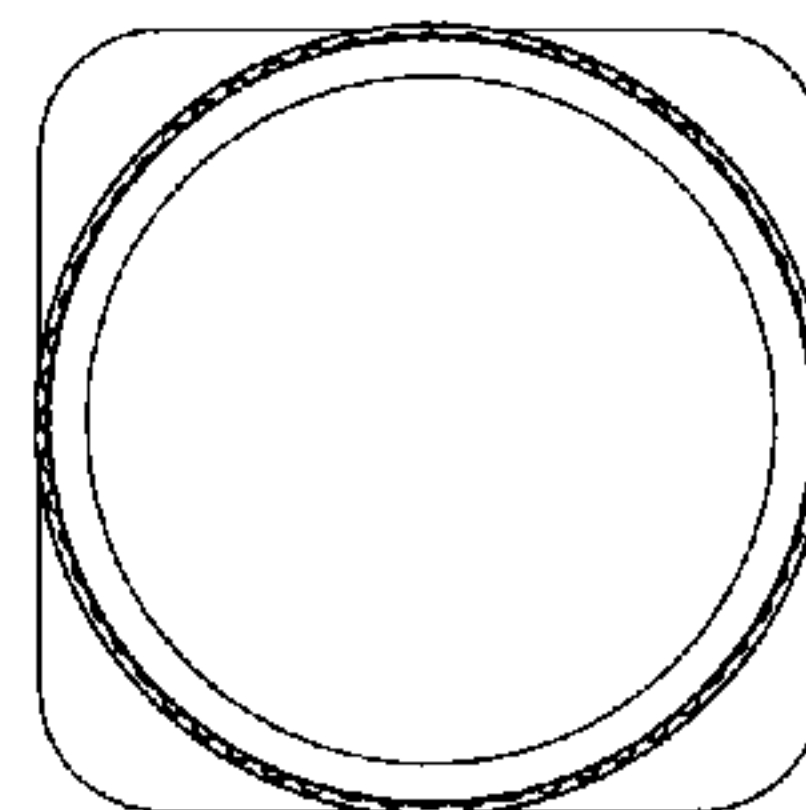
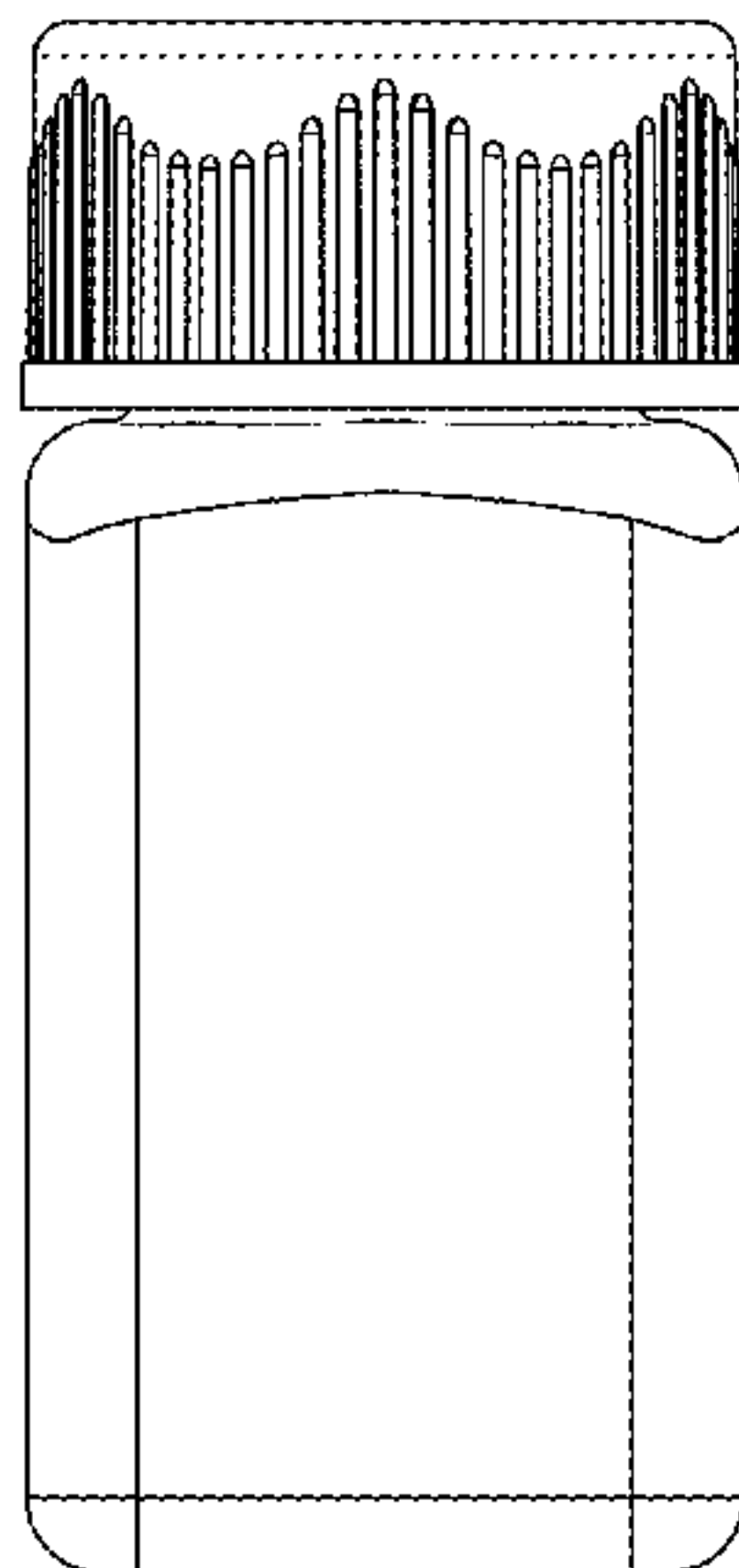
(12) **United States Design Patent** (10) **Patent No.:** **US D767,405 S**
Orset (45) **Date of Patent:** **** Sep. 27, 2016**

(54) **BOTTLE WITH CAP**
(71) Applicant: **CELGENE CORPORATION**,
Summit, NJ (US)
(72) Inventor: **Frederic Eugene Lucien Orset**,
Habere-Lullin (FR)
(73) Assignee: **Celgene Corporation**, Summit, NJ
(US)
(**) Term: **15 Years**
(21) Appl. No.: **29/540,142**
(22) Filed: **Sep. 21, 2015**
(51) **LOC (10) Cl.** **09-01**
(52) **U.S. Cl.**
USPC **D9/560; D9/453; D9/574**
(58) **Field of Classification Search**
USPC D9/434-436, 453, 454, 516, 560, 567,
D9/570, 572, 573, 574, 715, 719, 721;
D28/73, 76-77, 91; D3/901
CPC .. A45D 33/006; A45D 33/00; A45D 33/003;
A45D 40/0068; A45D 29/20; B65D 11/16;
B65D 51/245
See application file for complete search history.

D282,910 S 3/1986 Biesecker
D311,681 S 10/1990 Aggarwal
D315,507 S * 3/1991 Ochs D9/453
D320,155 S * 9/1991 Plochman, III D9/520
5,197,602 A 3/1993 Biesecker et al.
5,315,811 A 5/1994 Biesecker et al.
5,318,183 A 6/1994 Cohen et al.
D349,858 S 8/1994 Lonczak et al.
D359,907 S 7/1995 Hirsch
D359,909 S 7/1995 Hirsch
D359,910 S 7/1995 Hirsch
D368,658 S 4/1996 Hirsch
5,544,768 A 8/1996 Gargione
5,626,262 A 5/1997 Fitten et al.
D382,488 S 8/1997 Ja
5,655,687 A 8/1997 Fitten et al.
D392,897 S 3/1998 Biesecker et al.
5,803,287 A 9/1998 Kusz
D399,756 S 10/1998 Lonczak et al.
5,950,849 A 9/1999 Ekkert et al.
6,065,623 A * 5/2000 Hierzer G09F 19/12
215/230
D428,577 S 7/2000 Shanahan
D431,193 S 9/2000 Shanahan
D432,427 S 10/2000 Shanahan
D436,538 S 1/2001 Lang
6,243,936 B1 6/2001 Biesecker et al.
D451,812 S 12/2001 Colonna de Giovellina
6,394,293 B1 * 5/2002 Hierzer B65D 51/245
206/459.5
D470,413 S 2/2003 Seidita
D473,466 S 4/2003 Biesecker
D481,314 S * 10/2003 Noonan D9/438
D481,640 S 11/2003 Biesecker
D494,476 S 8/2004 Cwynar-Laska et al.
D495,599 S 9/2004 Biesecker
6,854,613 B2 2/2005 Biesecker et al.
D503,886 S 4/2005 Biesecker
D510,523 S 10/2005 Pitman et al.
D511,457 S 11/2005 Biesecker et al.
D512,912 S 12/2005 Biesecker et al.
D513,585 S 1/2006 Biesecker et al.
D513,587 S 1/2006 Forte
D518,716 S 4/2006 Mallet
D519,373 S 4/2006 Pitman et al.
D523,755 S 6/2006 Considine et al.
D526,206 S 8/2006 Varlet
D527,646 S 9/2006 Cornet et al.
D535,566 S * 1/2007 Lin D9/453
D537,726 S * 3/2007 Elgebrant D9/560
D537,727 S 3/2007 Hutton
D539,662 S 4/2007 Sanchez Lascaux
D540,688 S * 4/2007 Lascaux D9/560

(56) **References Cited**
U.S. PATENT DOCUMENTS

D25,355 S 4/1896 Smalley
D31,179 S 7/1899 Low
D81,633 S 7/1930 Wagner
D111,253 S 4/1937 Grasty
D136,440 S * 10/1943 Tatro D9/453
D143,657 S 8/1945 Graham
3,437,194 A 4/1969 Ames et al.
D214,877 S 8/1969 Biallo et al.
D259,173 S 5/1981 Lauren
D267,076 S 11/1982 Hurtig
D269,067 S 5/1983 Ballereaud
D270,331 S * 8/1983 Benson D9/520
D274,220 S 6/1984 Biesecker
D274,221 S 6/1984 Biesecker
D280,601 S 9/1985 Biesecker



D542,655 S *	5/2007	Szczesniak	D9/453
D546,181 S	7/2007	Biesecker et al.	
D548,101 S	8/2007	Elgebrant	
D548,607 S	8/2007	Langbein et al.	
D574,240 S	8/2008	Szczesniak	
D577,292 S	9/2008	Moretti	
D577,599 S	9/2008	Moretti	
D579,784 S	11/2008	Varlet	
D580,773 S	11/2008	Rica	
D581,800 S	12/2008	Rica	
D586,213 S	2/2009	Wells et al.	
D586,659 S	2/2009	Delbon	
D597,840 S	8/2009	Biesecker et al.	
D601,431 S	10/2009	Serrano Diaz	
D602,785 S	10/2009	Rothberg et al.	
7,607,547 B2	10/2009	Kumata et al.	
D603,265 S	11/2009	Biesecker	
D603,716 S	11/2009	Rica	
D603,717 S	11/2009	Rica	
D604,174 S	11/2009	Rica	
D606,864 S	12/2009	Robinson	
D611,344 S	3/2010	Longacre	
D611,346 S	3/2010	Camomile	
D613,162 S *	4/2010	Druitt	D9/453
D613,177 S	4/2010	Lee	
D618,099 S	6/2010	Biesecker et al.	
D619,473 S	7/2010	Biesecker et al.	
D622,591 S	8/2010	Biesecker et al.	
D622,601 S	8/2010	Potts	
D623,518 S	9/2010	Camomile	
7,802,690 B2	9/2010	Lohrman et al.	
D627,656 S	11/2010	Wendt	
D630,518 S	1/2011	Biesecker et al.	
D632,958 S *	2/2011	Fuchs	D9/453
D635,031 S	3/2011	Themann	
D643,295 S	8/2011	Sadler et al.	
D655,612 S	3/2012	Oge-Nichols	
D657,673 S	4/2012	Biesecker	
D657,674 S	4/2012	Biesecker	
8,177,059 B2	5/2012	Gudmundsson	
D663,202 S	7/2012	Biesecker et al.	
8,231,020 B2	7/2012	Taber et al.	
D666,495 S	9/2012	Biesecker et al.	
D674,697 S	1/2013	Biesecker et al.	
D675,101 S *	1/2013	Wilson	D9/559
D681,465 S *	5/2013	Cox	D9/441
D681,466 S	5/2013	Cox et al.	
D691,046 S	10/2013	Krause	
D691,054 S *	10/2013	Olsson	D9/435
D691,473 S	10/2013	Smith et al.	
D691,484 S	10/2013	Fitzgerald	
D693,694 S	11/2013	Makhsudova	
D694,120 S	11/2013	Baussan	
8,590,719 B2	11/2013	Sprishen et al.	
D696,958 S	1/2014	Rex	
D698,257 S	1/2014	Gonzalez Rodriguez	
8,672,158 B2	3/2014	Taber et al.	
8,695,821 B2	4/2014	Bashyam	
D717,661 S *	11/2014	McIntire	D9/560
D734,159 S *	7/2015	Brisson	D9/542
D736,635 S *	8/2015	Sadler	D9/522
D750,314 S *	2/2016	Hobson	D26/118
2003/0136753 A1	7/2003	Biesecker et al.	
2004/0222181 A1	11/2004	Biesecker et al.	
2005/0109782 A1	5/2005	Biesecker et al.	
2005/0194343 A1	9/2005	Sprishen	
2007/0045320 A1	3/2007	Biesecker et al.	
2008/0197101 A1	8/2008	Rapoport	
2008/0308518 A1	12/2008	Sprishen	
2008/0314900 A1	12/2008	Biesecker et al.	
2009/0212003 A1	8/2009	Gudmundsson	
2009/0266736 A1	10/2009	Sprishen et al.	
2011/0017741 A1	1/2011	Sprishen	
2011/0094990 A1	4/2011	Sprishen et al.	
2012/0325768 A1	12/2012	Biesecker et al.	
2013/0341329 A1 *	12/2013	Adler	G09F 3/0289 220/288

FOREIGN PATENT DOCUMENTS

FR	090080	7/2009
SE	82661	2/2014
WO	DM/071617	12/2008

OTHER PUBLICATIONS

U.S. Appl. No. 29/540,135, filed Sep. 21, 2015, Orset.
U.S. Appl. No. 29/502,015, filed Sep. 10, 2014, Orset.
U.S. Appl. No. 29/502,019, filed Sep. 10, 2014, Orset.

* cited by examiner

Primary Examiner — Ian Simmons
Assistant Examiner — Keith Frank
(74) *Attorney, Agent, or Firm* — Jones Day

(57) **CLAIM**

The ornamental design for a bottle with cap, as shown and described.

DESCRIPTION

FIG. 1 is an exploded perspective top and first side and second side view of a bottle with cap showing my new design;
FIG. 2 is a perspective top and first side and second side view thereof;
FIG. 3 is a perspective bottom and first side and second side view thereof;
FIG. 4 is a first side elevational view thereof;
FIG. 5 is a second side elevational view thereof;
FIG. 6 is a third side elevational view thereof;
FIG. 7 is a fourth side elevational view thereof;
FIG. 8 is a top plan view thereof;
FIG. 9 is a bottom plan view thereof;
FIG. 10 is an exploded perspective top and first side and second side view of a second embodiment of a bottle with cap showing my new design;
FIG. 11 is a perspective top and first side and second side view thereof;
FIG. 12 is a perspective bottom and first side and second side view thereof;
FIG. 13 is a first side elevational view thereof;
FIG. 14 is a second side elevational view thereof;
FIG. 15 is a third side elevational view thereof;
FIG. 16 is a fourth side elevational view thereof;
FIG. 17 is a bottom plan view thereof;
FIG. 18 is a top plan view thereof;
FIG. 19 is an exploded perspective top and first side and second side view of a third embodiment of a bottle with cap showing my new design;
FIG. 20 is a perspective top and first side and second side view thereof;
FIG. 21 is a perspective bottom and first side and second side view thereof;
FIG. 22 is a first side elevational view thereof;
FIG. 23 is a second side elevational view thereof;
FIG. 24 is a third side elevational view thereof;
FIG. 25 is a fourth side elevational view thereof;
FIG. 26 is a top plan view thereof;
FIG. 27 is a bottom plan view thereof;
FIG. 28 is an exploded perspective top and first side and second side view of a fourth embodiment of a bottle with cap showing my new design;

FIG. 29 is a perspective top and first side and second side view thereof;

FIG. 30 is a perspective bottom and first side and second side view thereof;

FIG. 31 is a first side elevational view thereof;

FIG. 32 is a second side elevational view thereof;

FIG. 33 is a third side elevational view thereof;

FIG. 34 is a fourth side elevational view thereof;

FIG. 35 is a top plan view thereof;

FIG. 36 is a bottom plan view thereof;

FIG. 37 is an exploded perspective top and first side and second side view of a fifth embodiment of a bottle with cap showing my new design;

FIG. 38 is a perspective top and first side and second side view thereof;

FIG. 39 is a perspective bottom and first side and second side view thereof;

FIG. 40 is a first side elevational view thereof;

FIG. 41 is a second side elevational view thereof;

FIG. 42 is a third side elevational view thereof;

FIG. 43 is a fourth side elevational view thereof;

FIG. 44 is a top plan view thereof;

FIG. 45 is a bottom plan view thereof;

FIG. 46 is an exploded perspective top and first side and second side view of a sixth embodiment of a bottle with cap showing my new design;

FIG. 47 is a perspective top and first side and second side view thereof;

FIG. 48 is a perspective bottom and first side and second side view thereof;

FIG. 49 is a first side elevational view thereof;

FIG. 50 is a second side elevational view thereof;

FIG. 51 is a third side elevational view thereof;

FIG. 52 is a fourth side elevational view thereof;

FIG. 53 is a top plan view thereof; and,

FIG. 54 is a bottom plan view thereof.

1 Claim, 24 Drawing Sheets

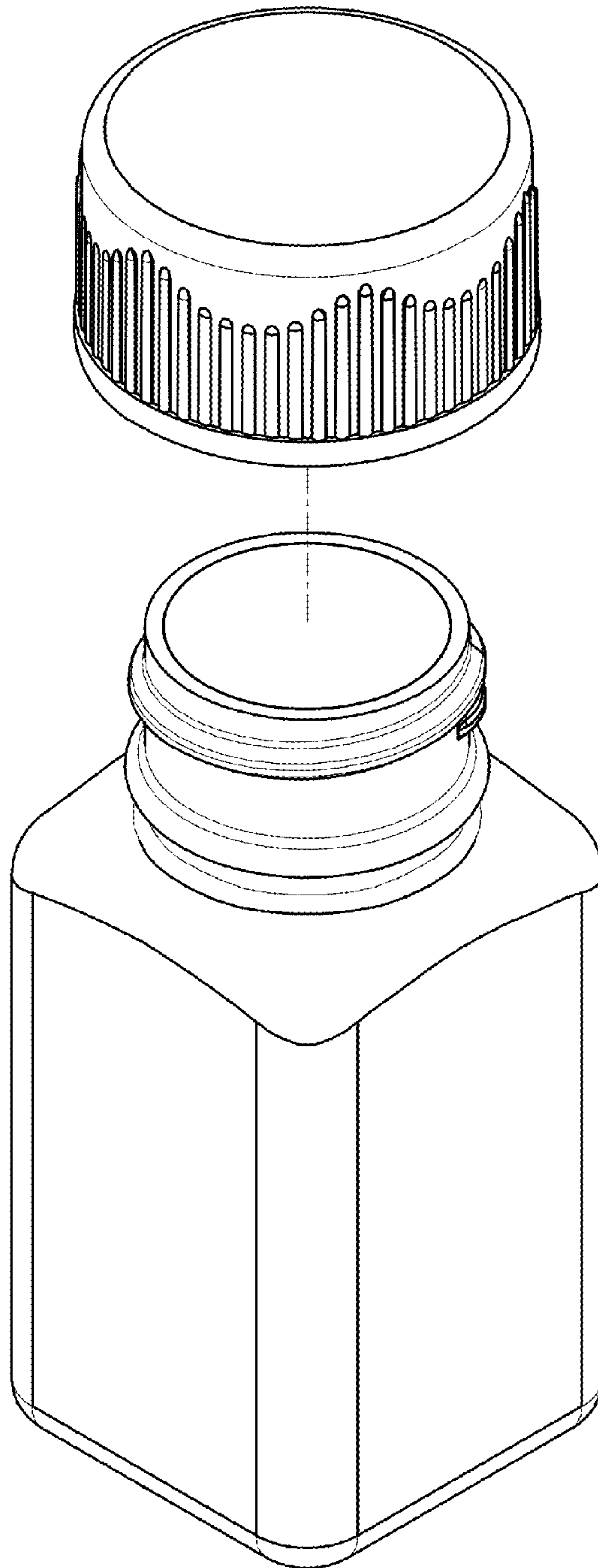


Fig.1

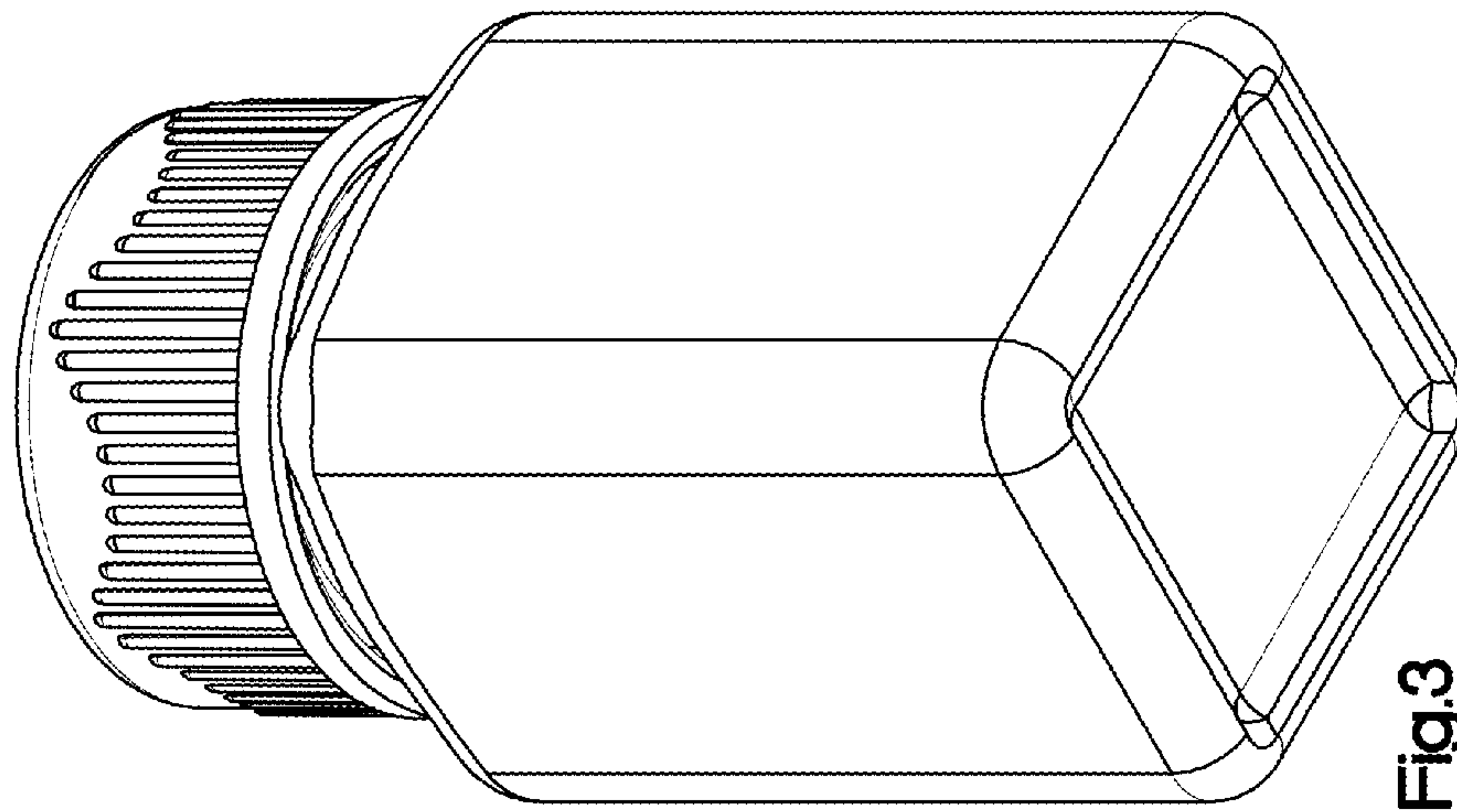


Fig.3

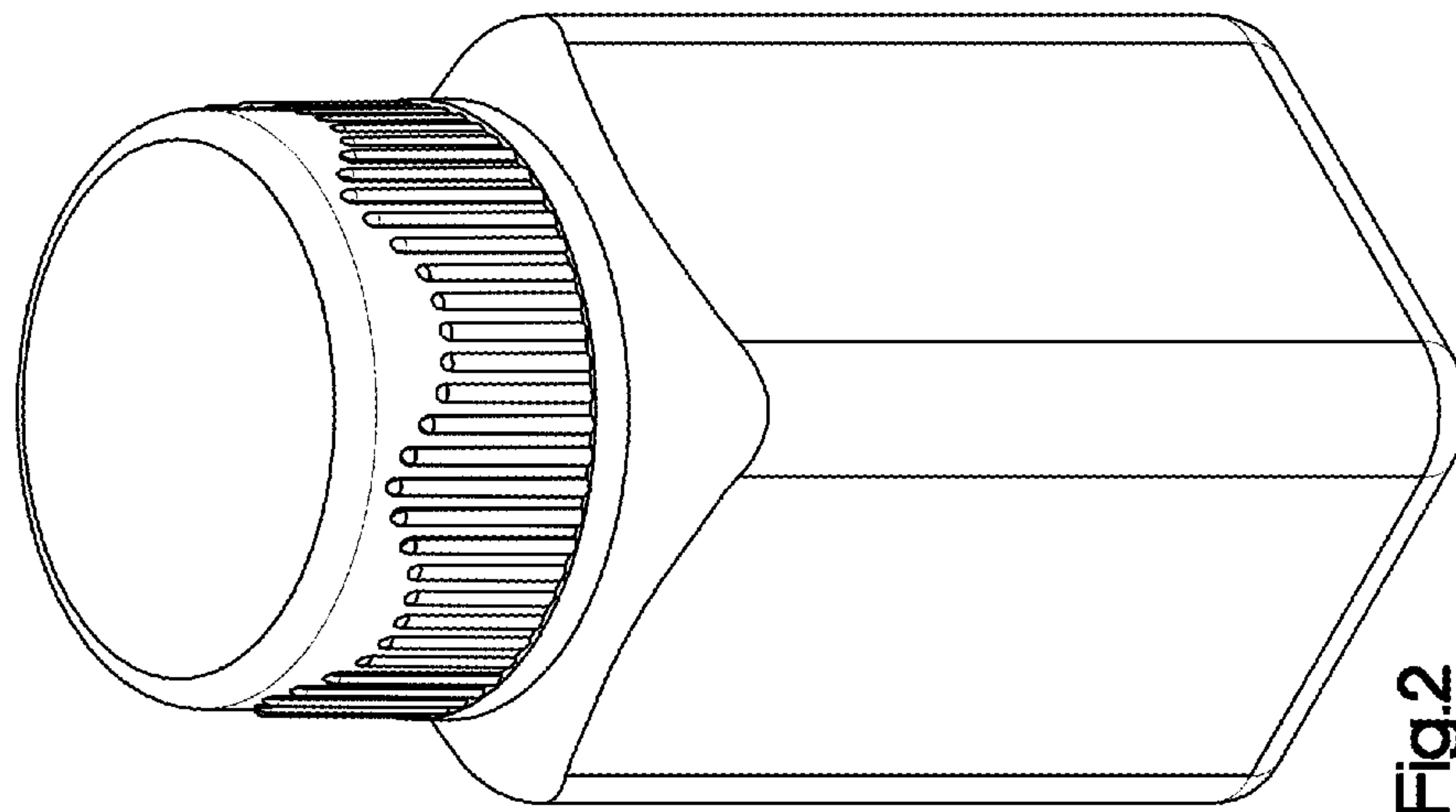


Fig.2

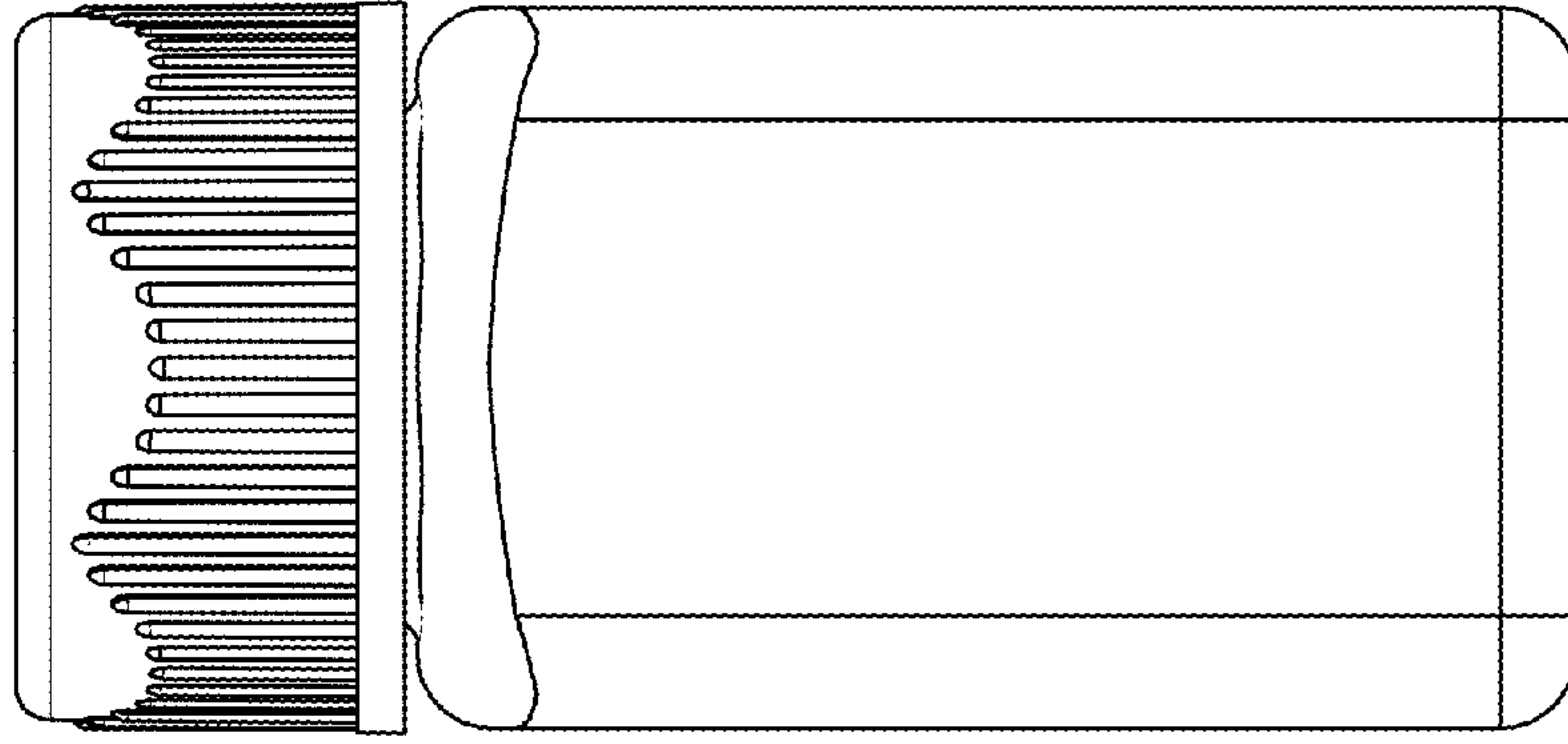


Fig.6

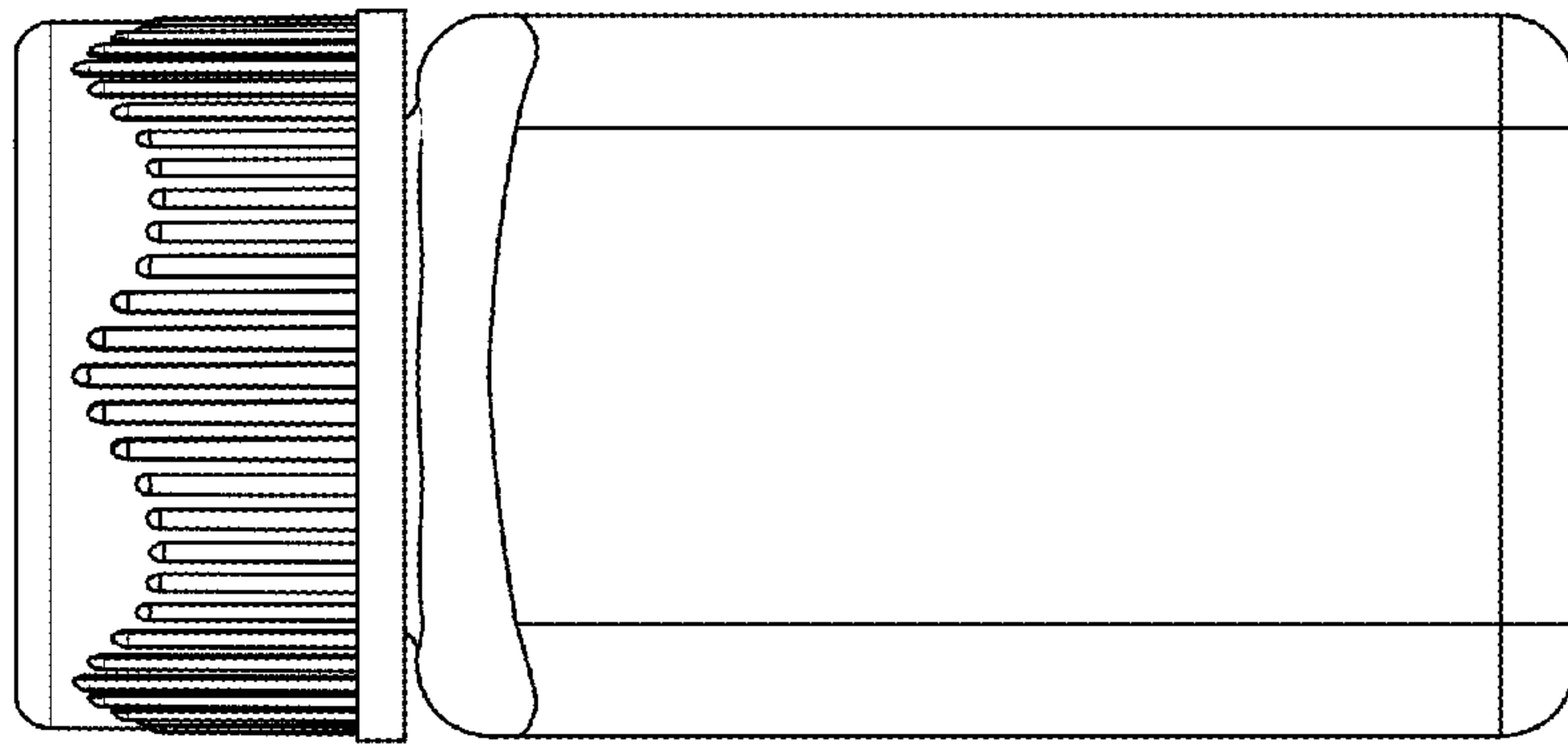


Fig.5

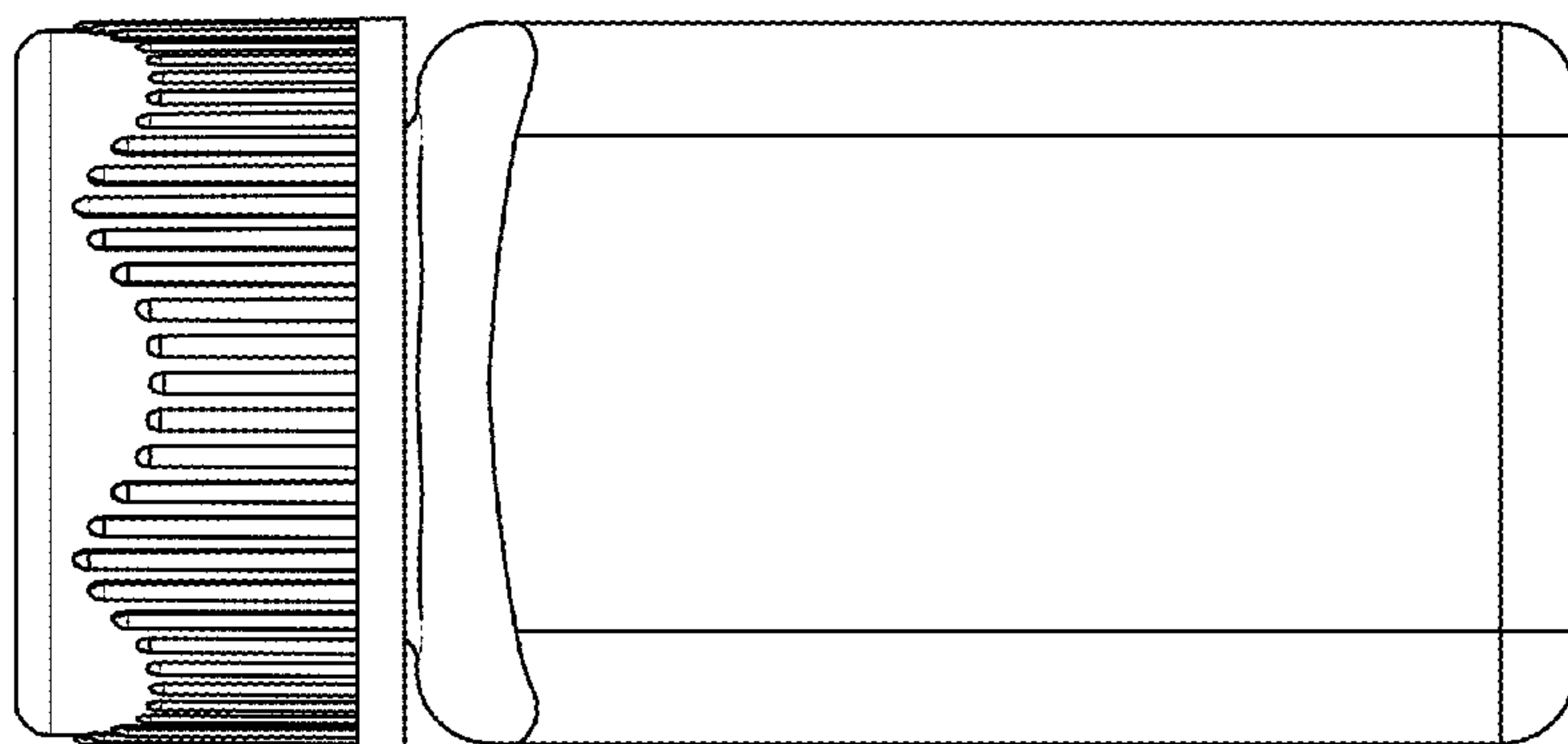


Fig.4

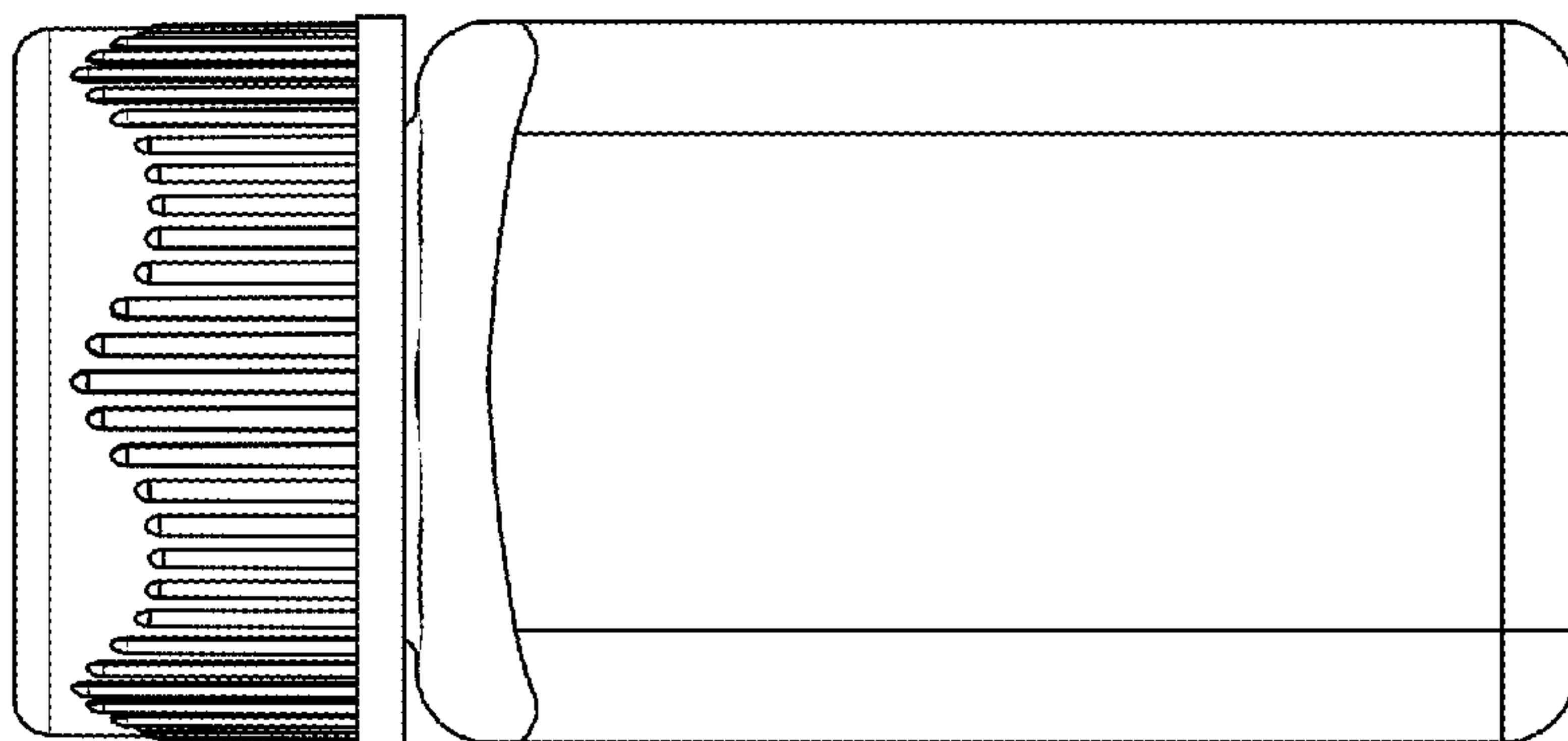


Fig.7

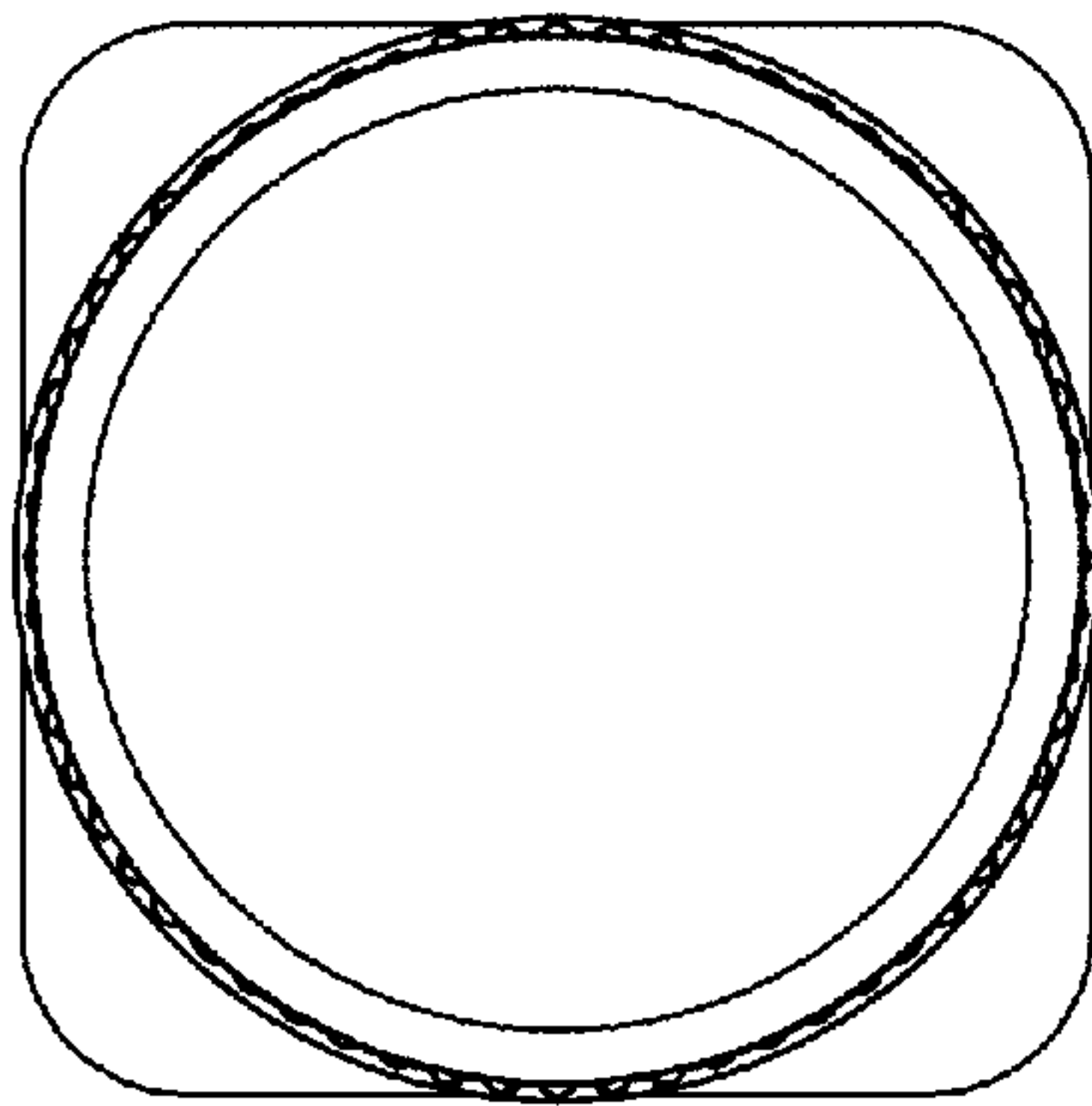


Fig.8

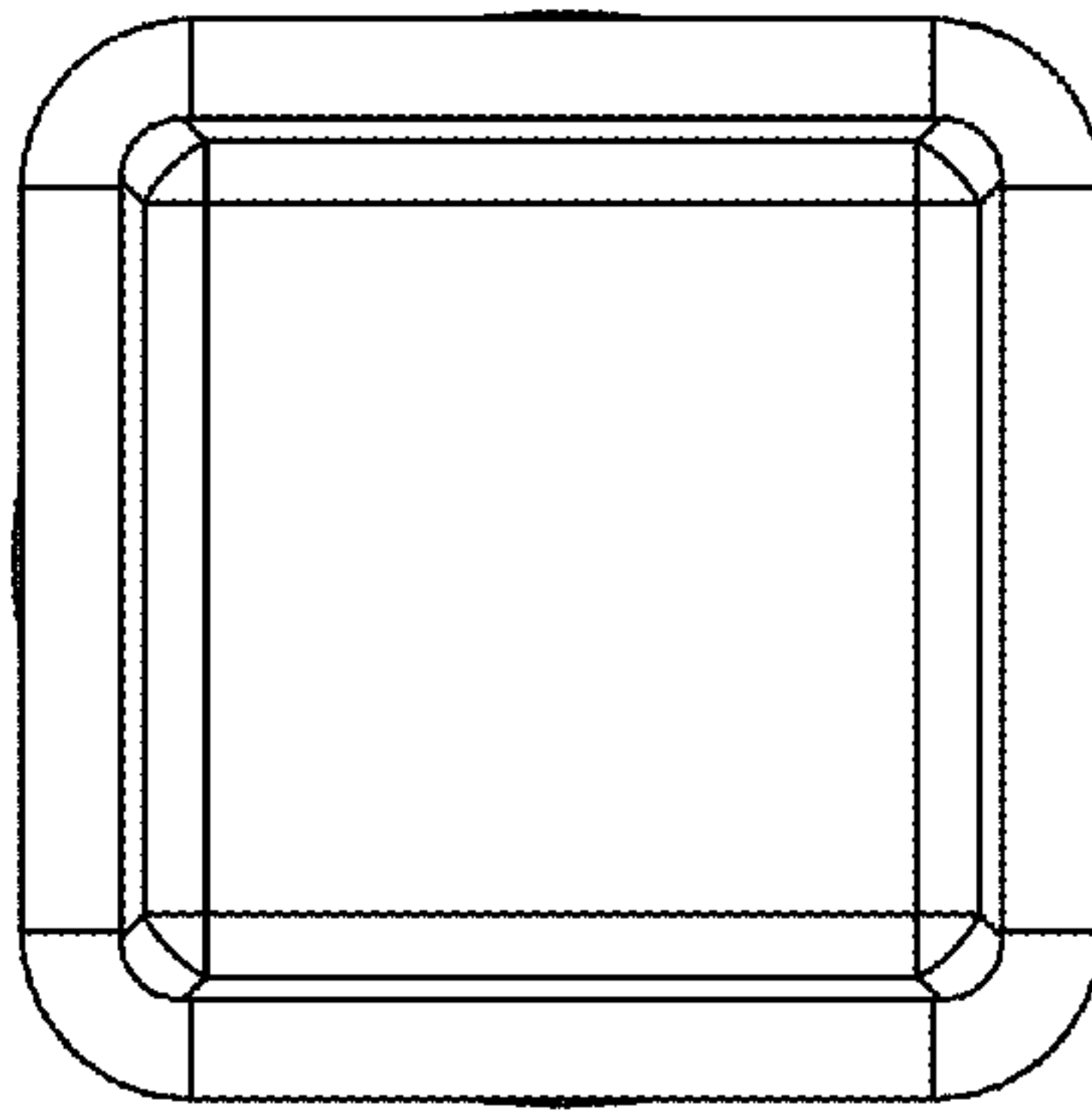


Fig.9

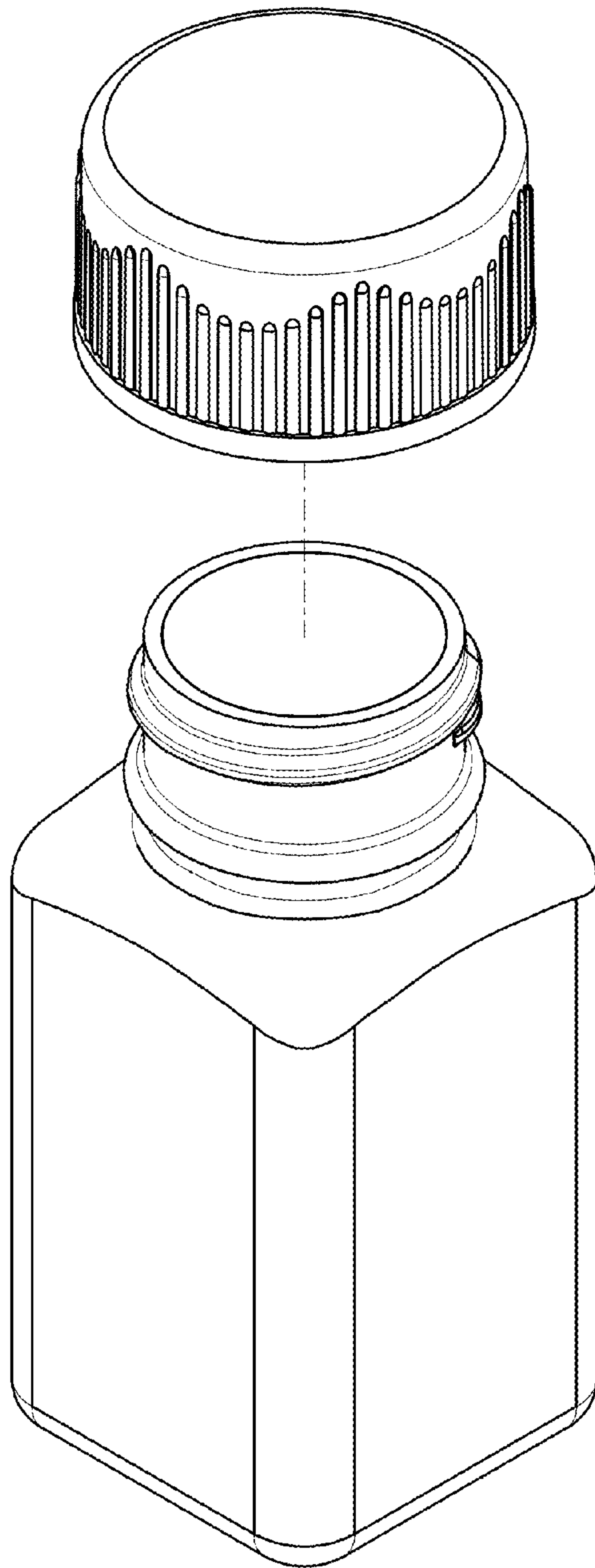


Fig.10

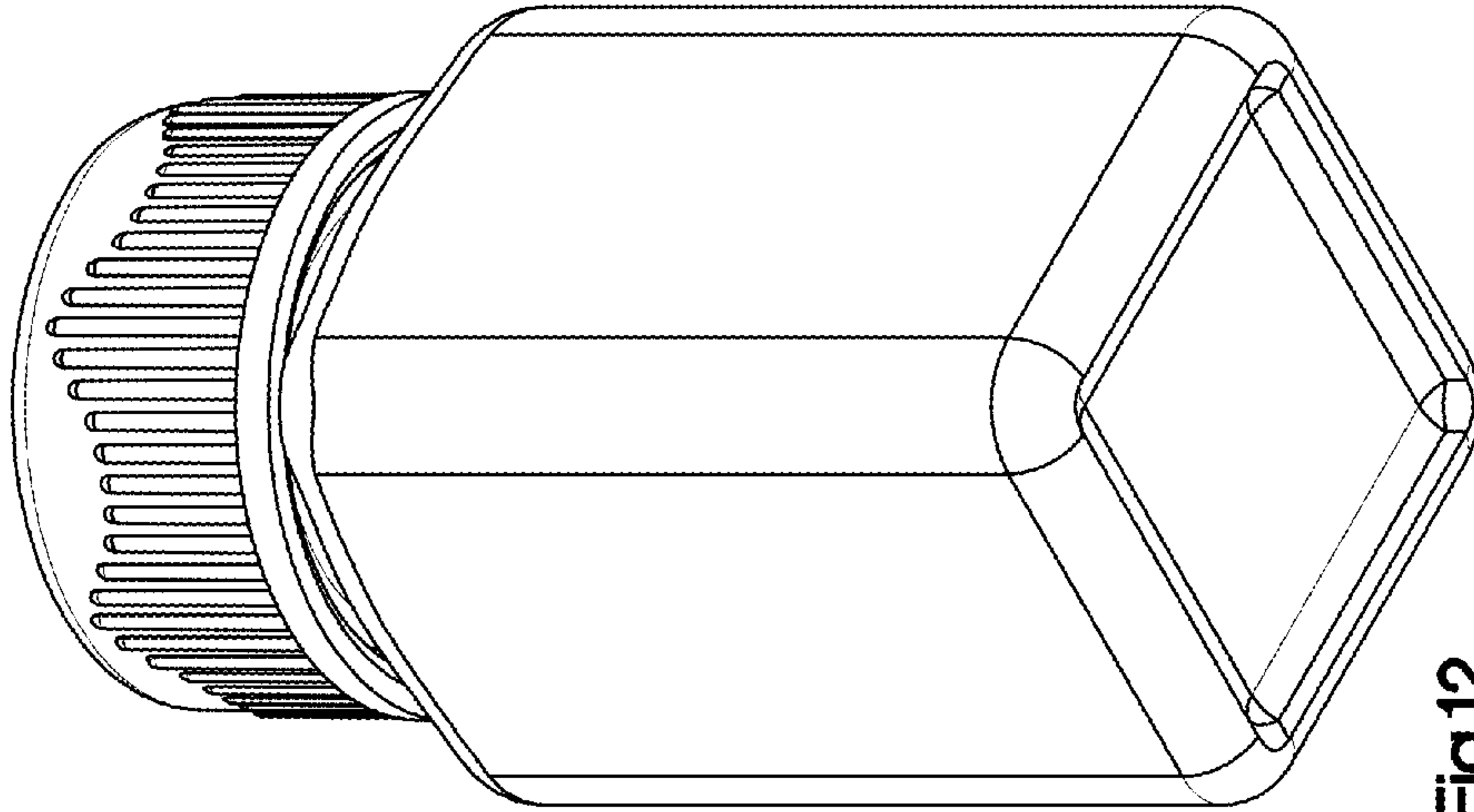


Fig.12

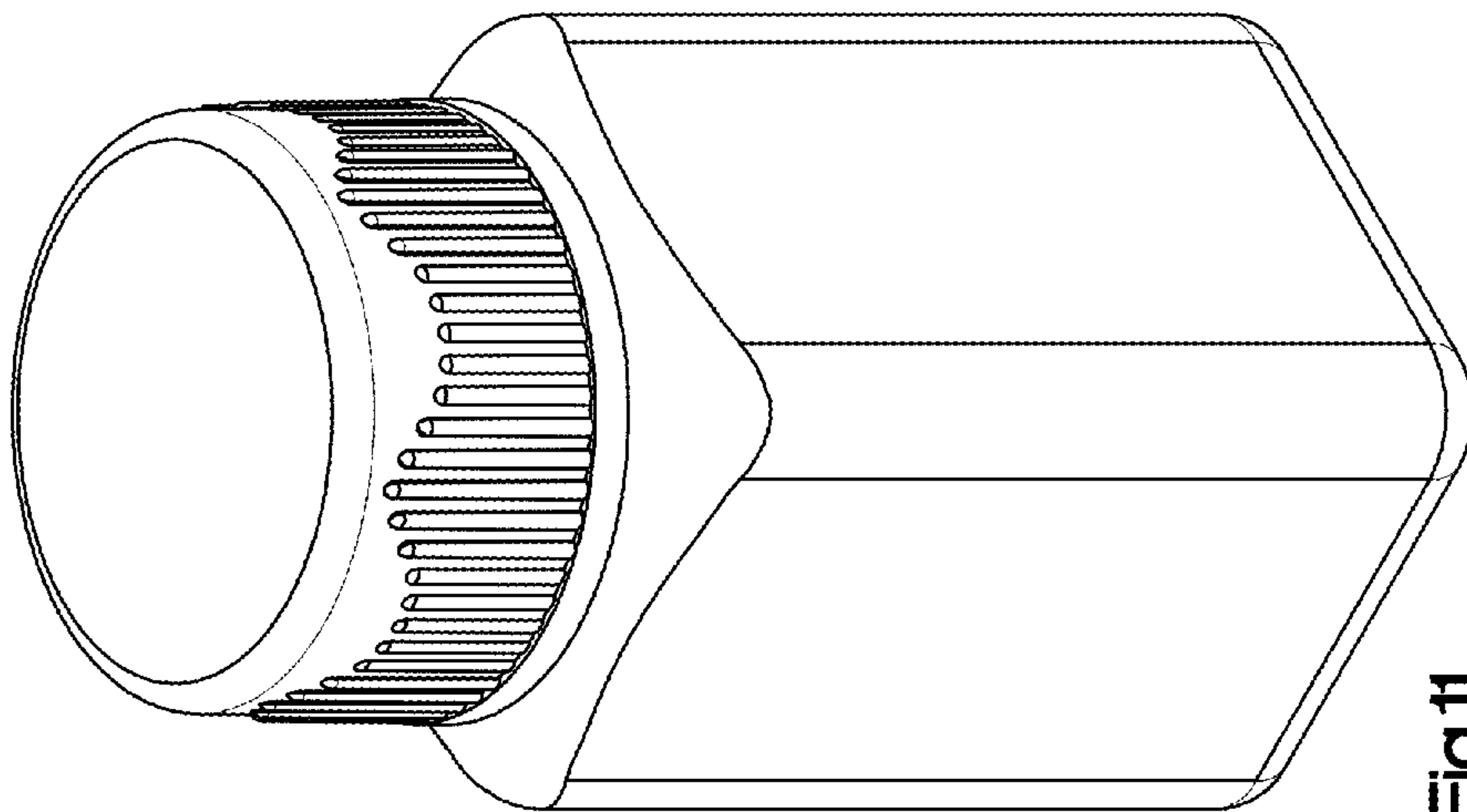


Fig.11

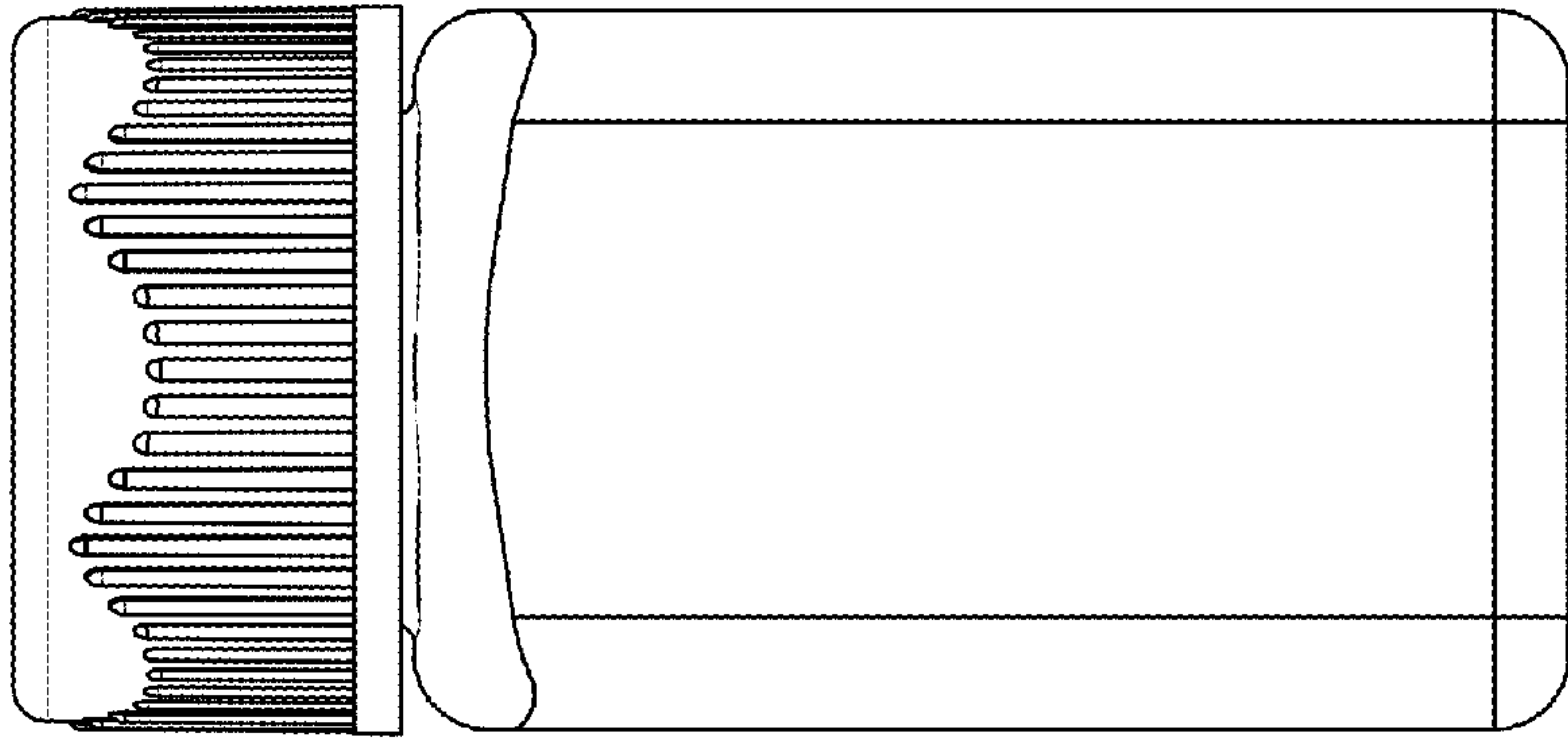


Fig.15

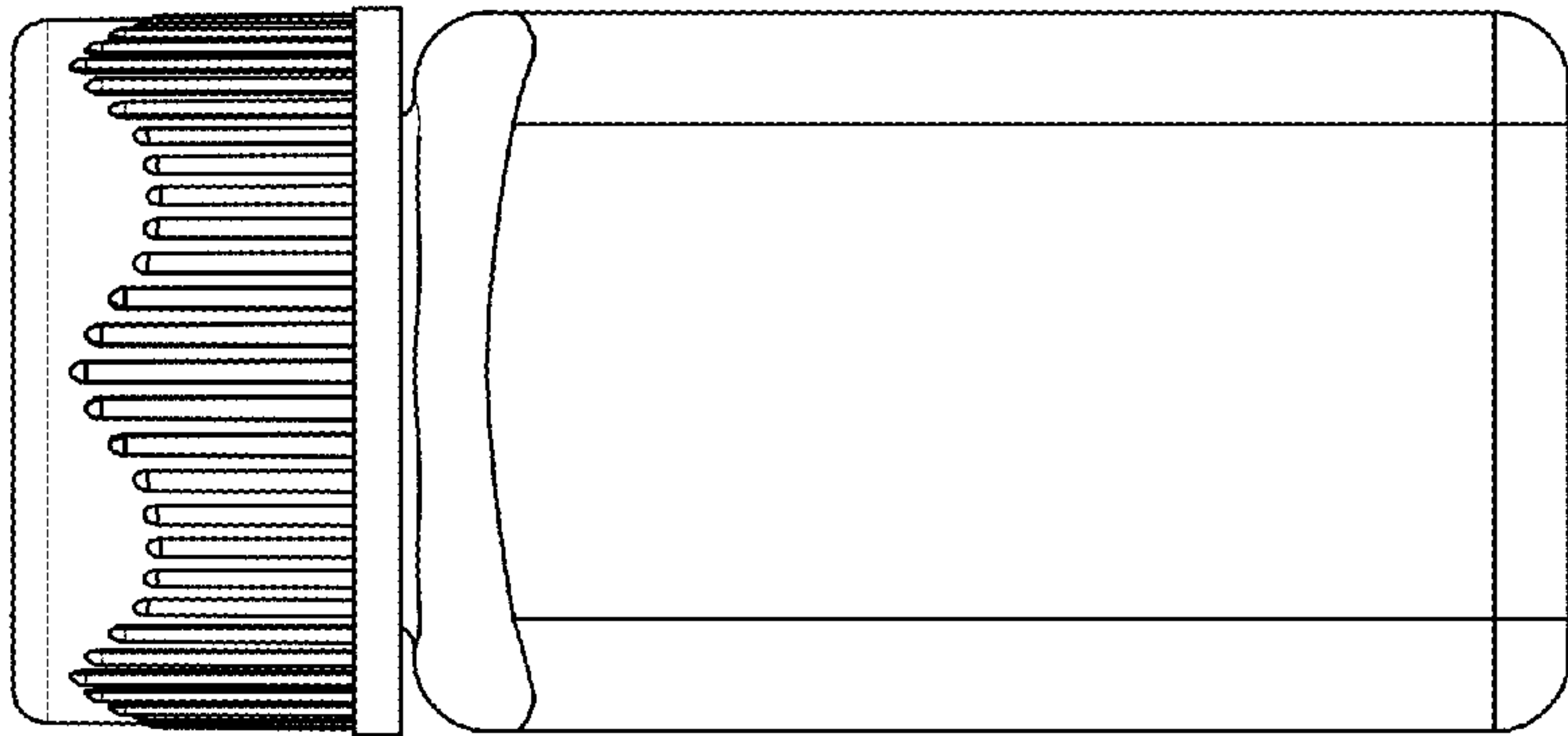


Fig.14

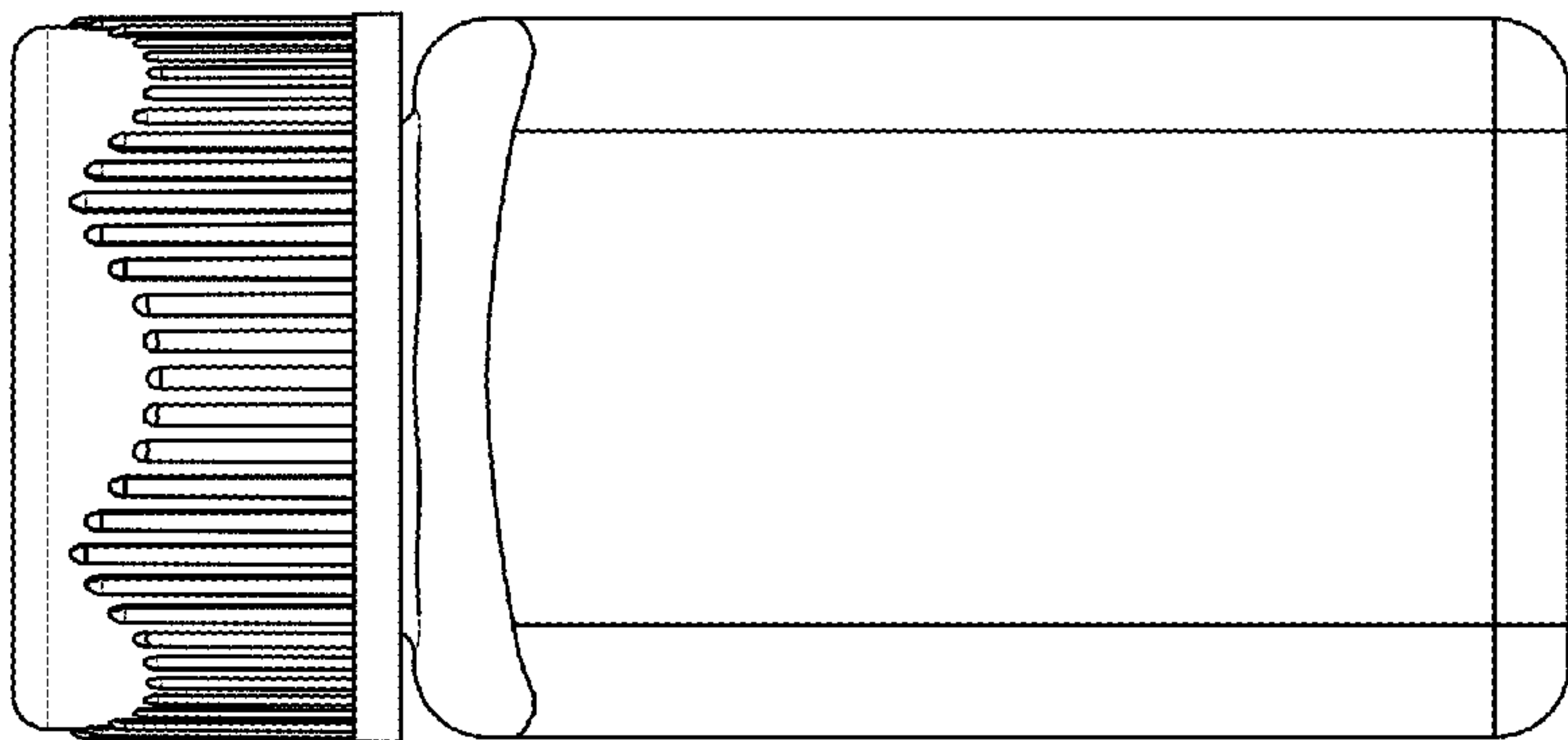


Fig.13

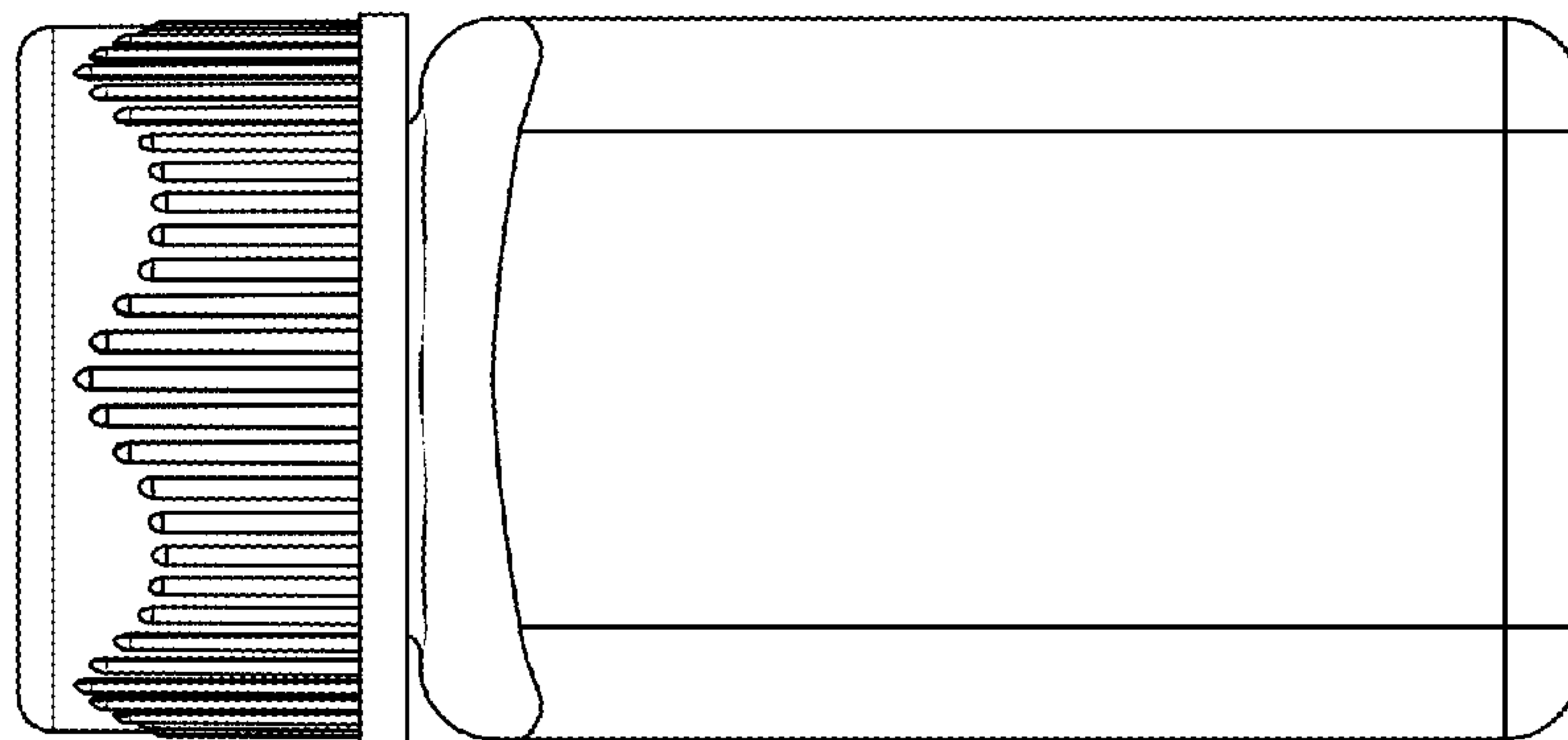


Fig.16

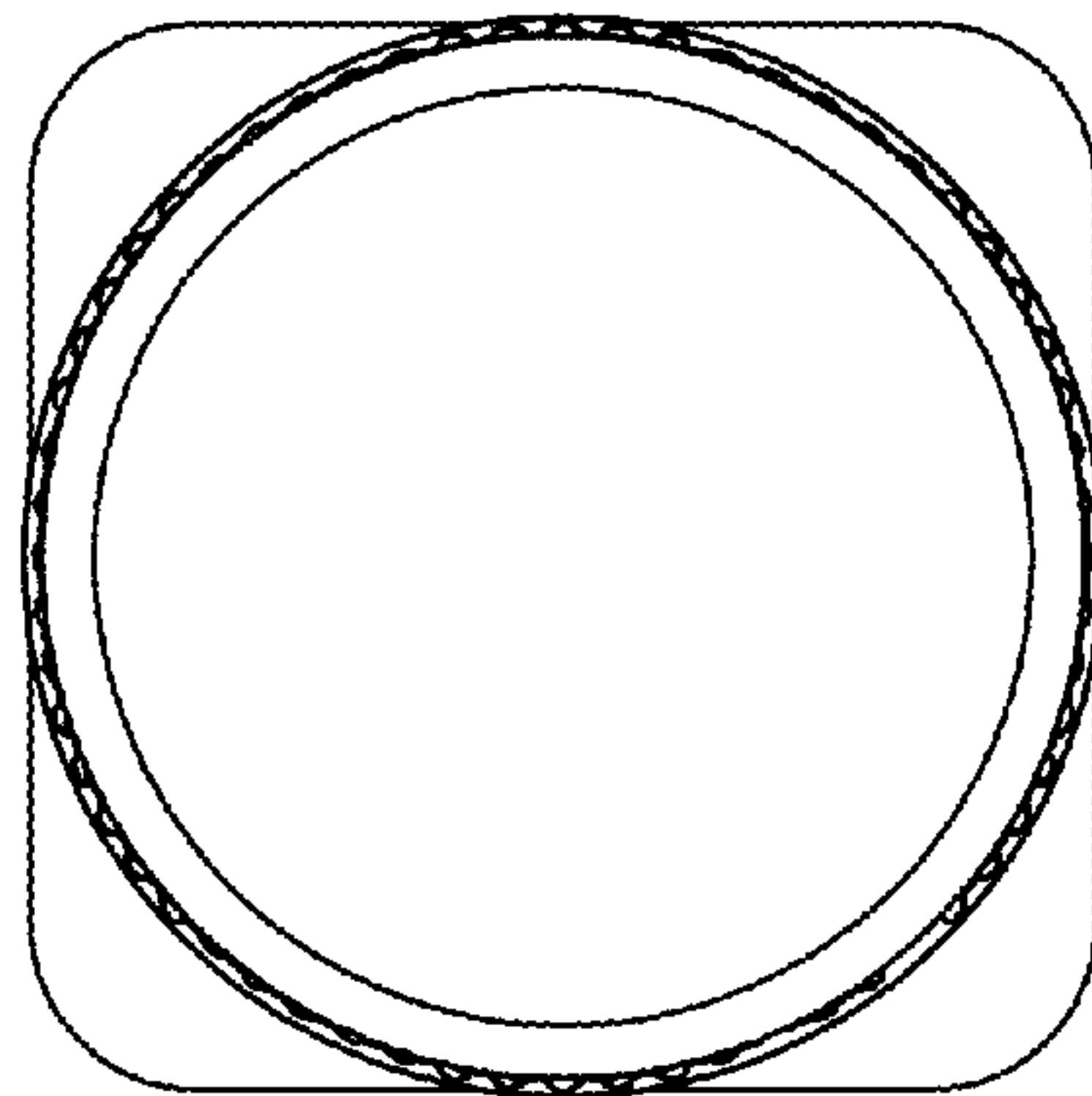


Fig.17

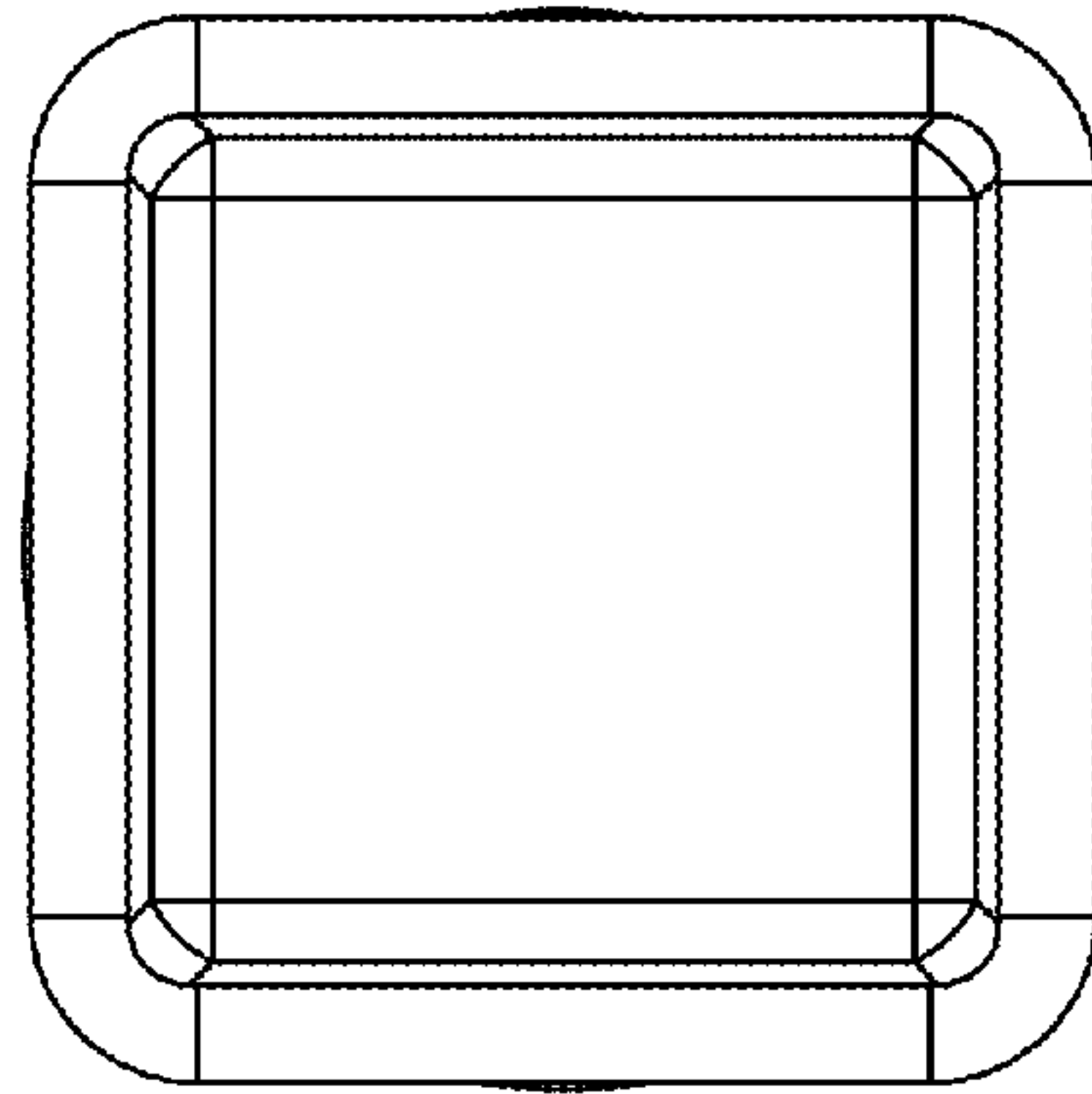


Fig.18

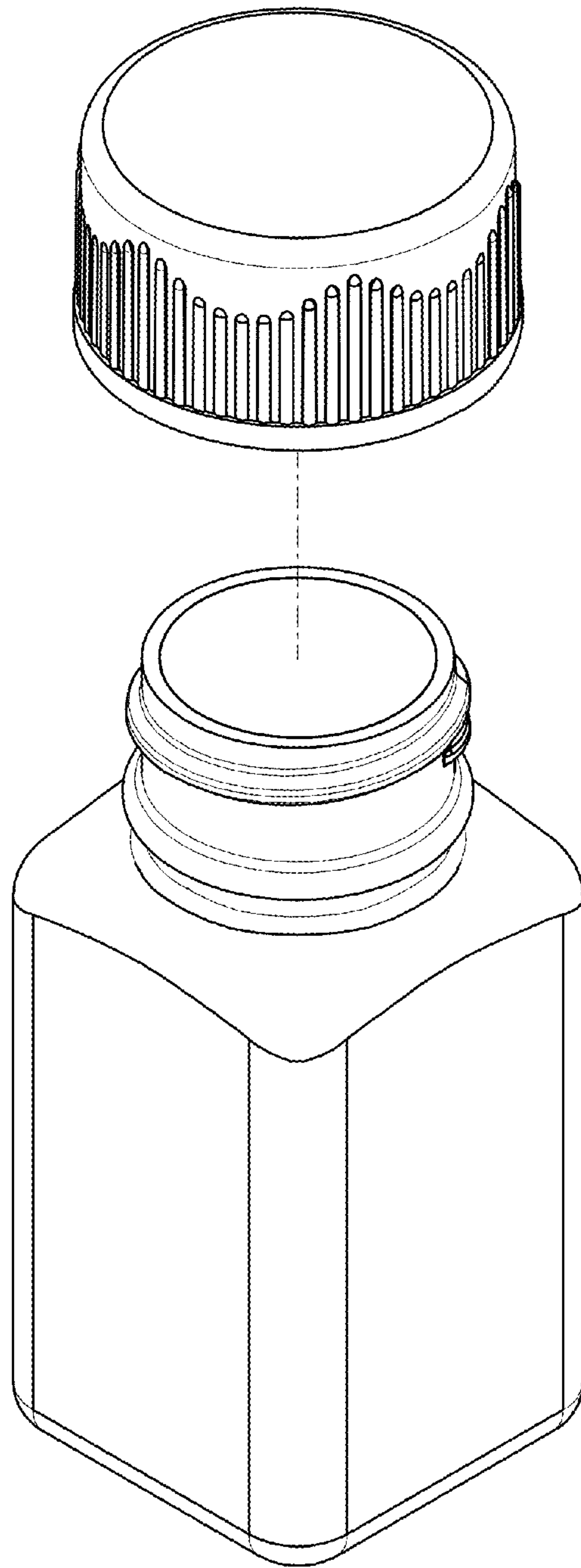


Fig.19

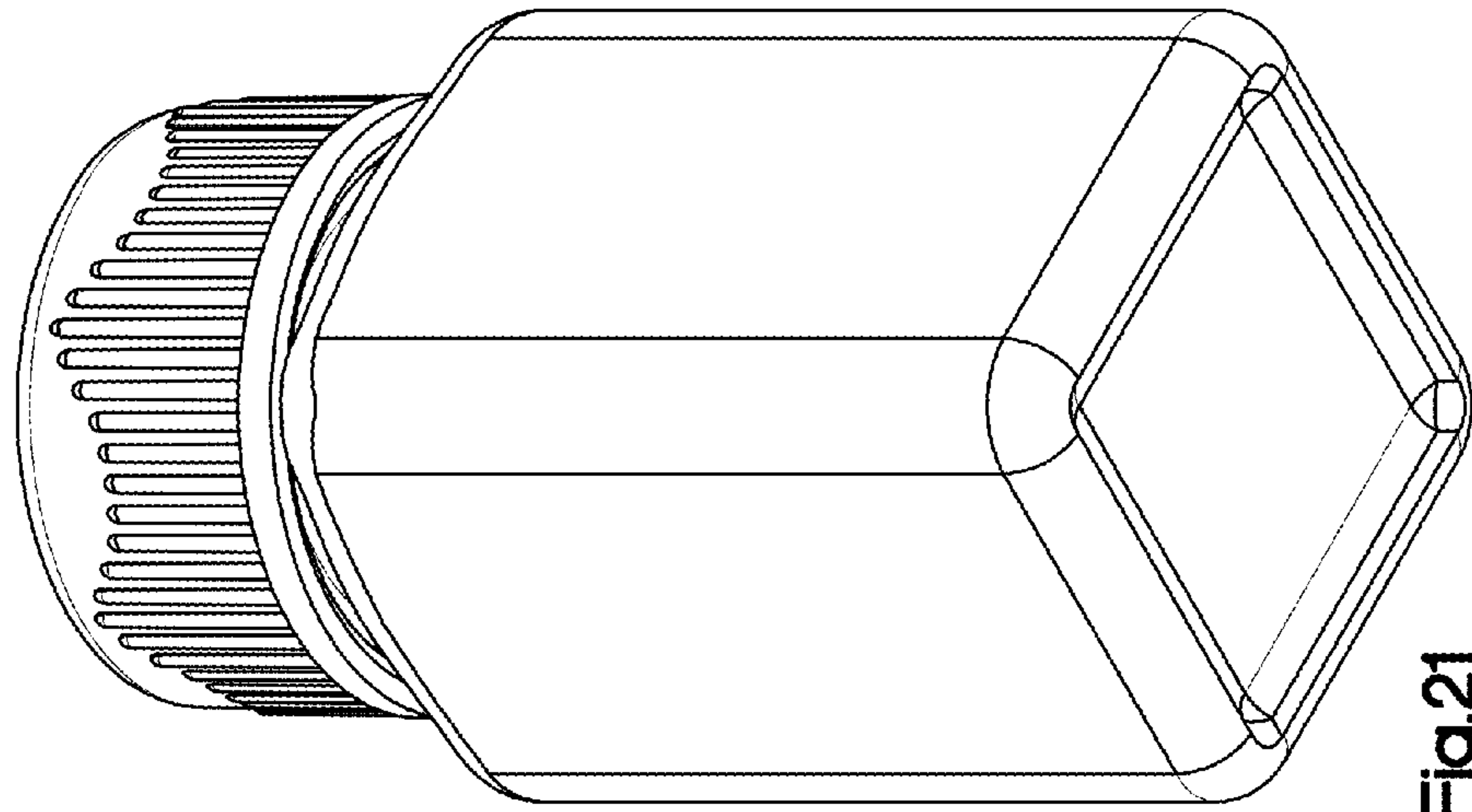


Fig.21

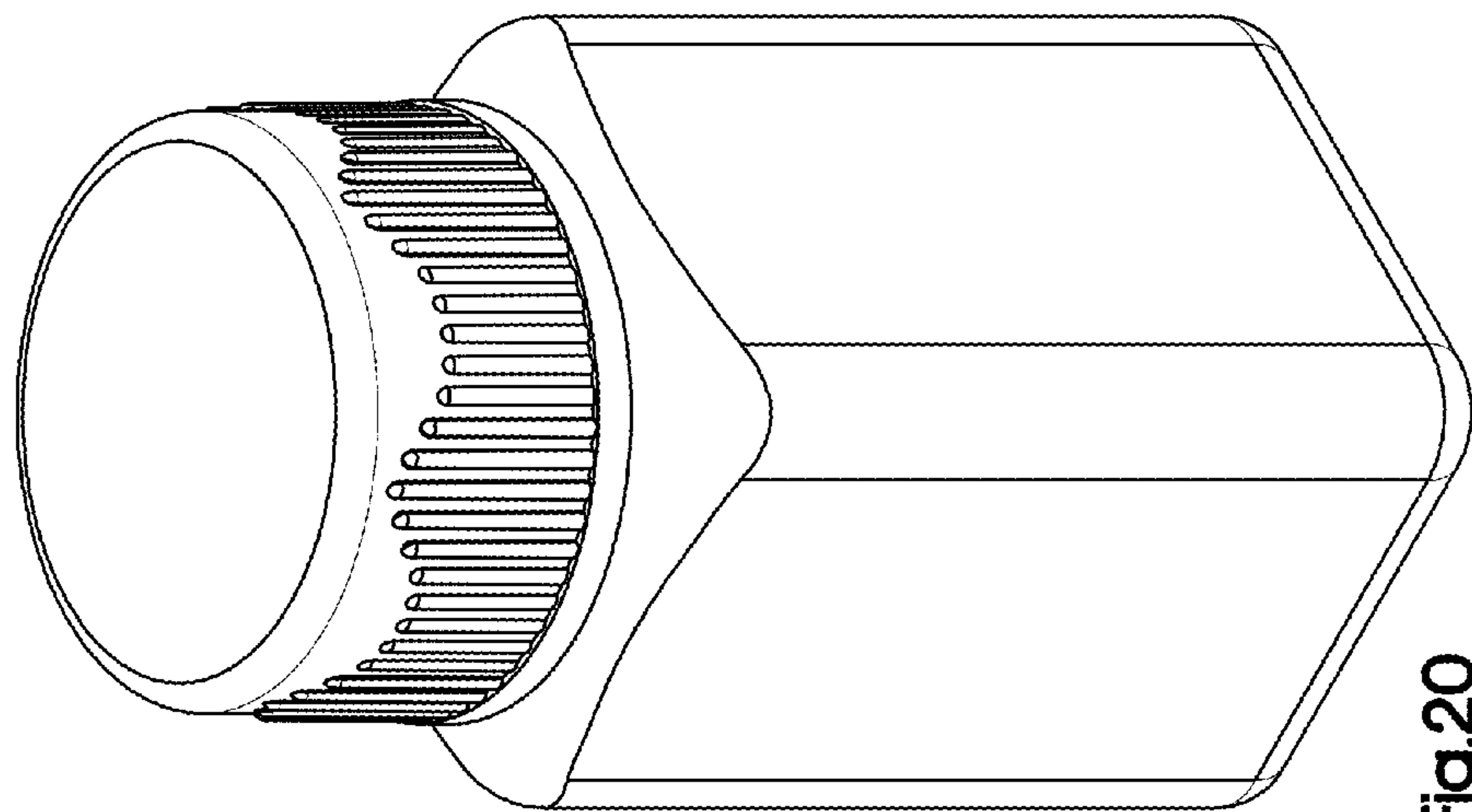


Fig.20

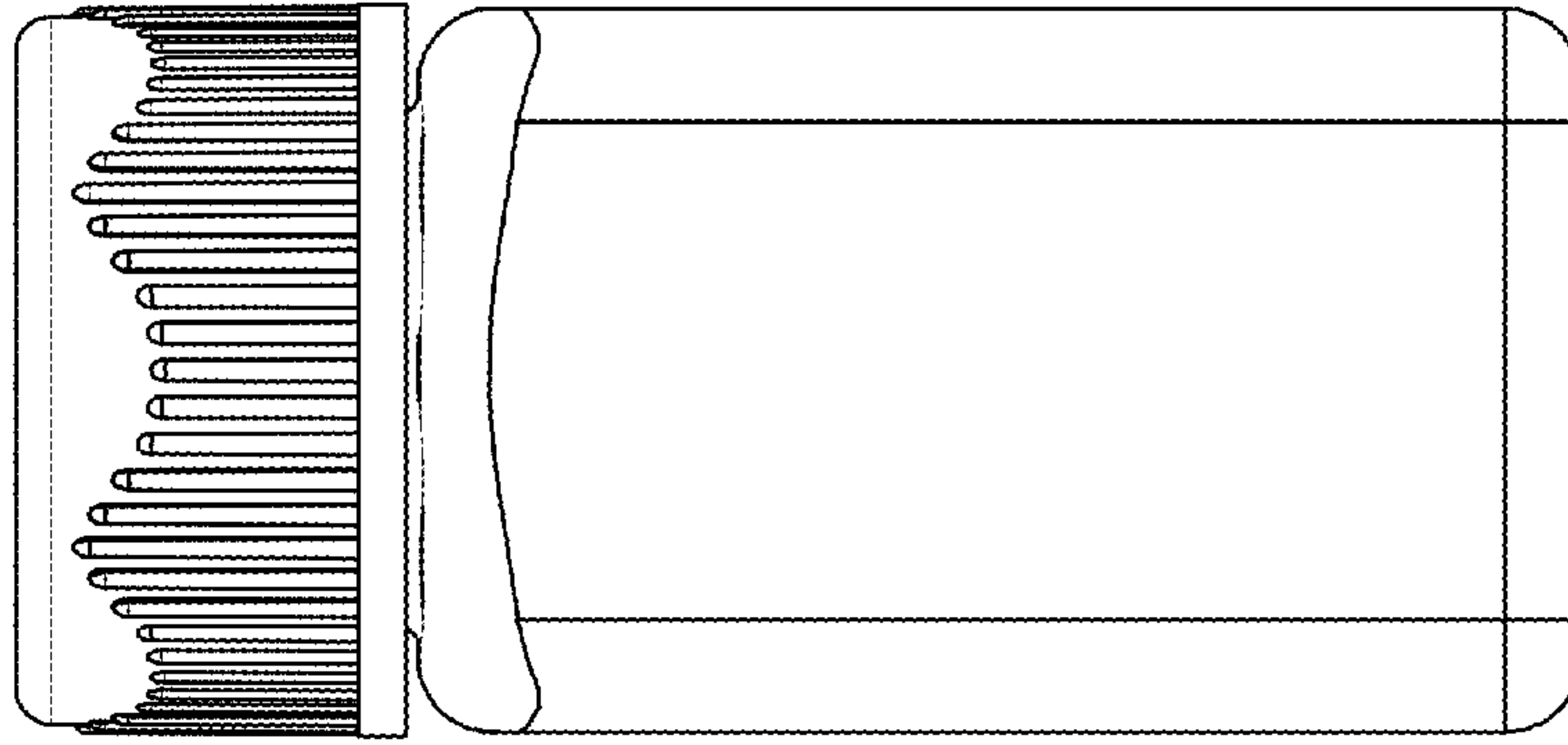


Fig.24

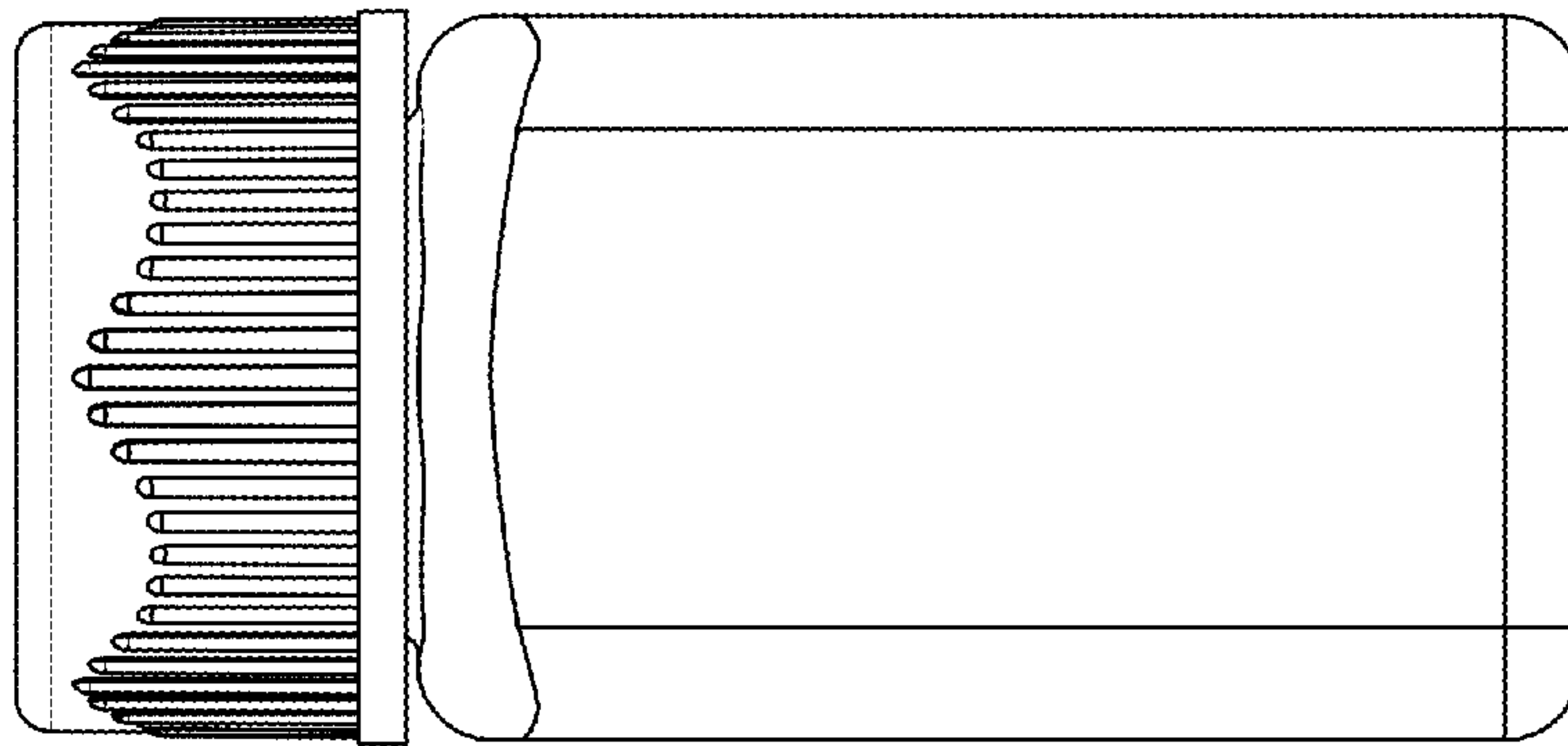


Fig.23

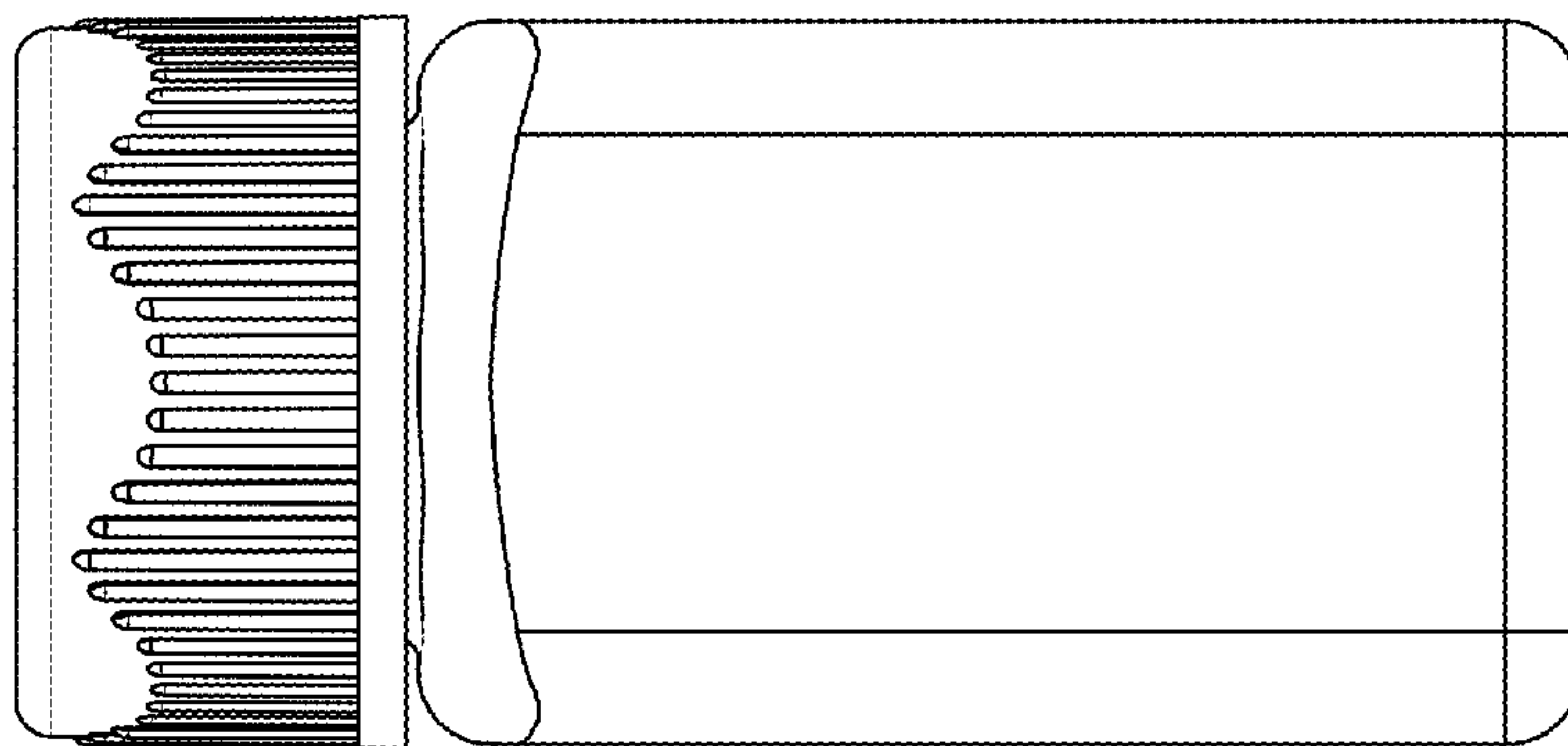


Fig.22

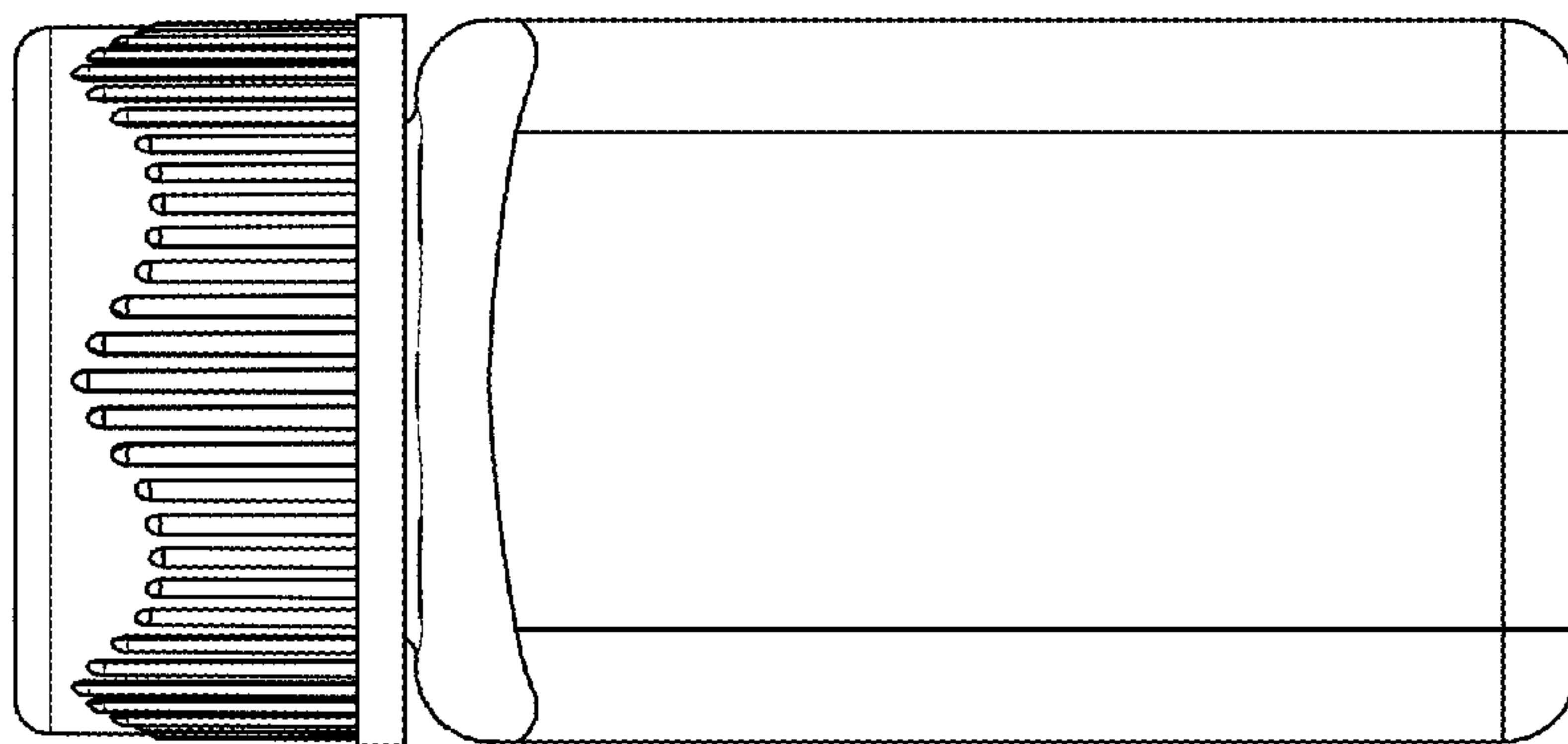


Fig.25

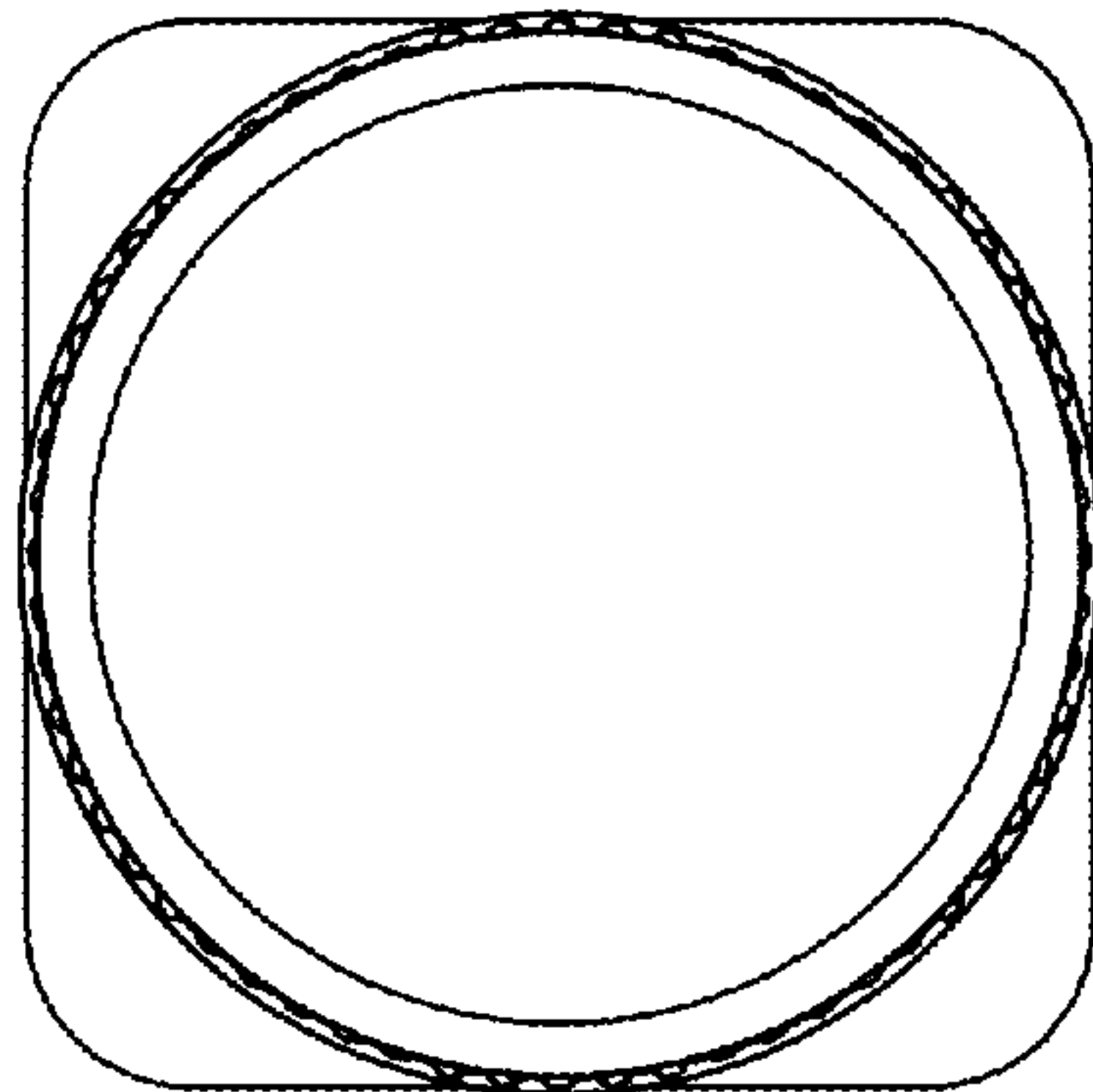


Fig.26

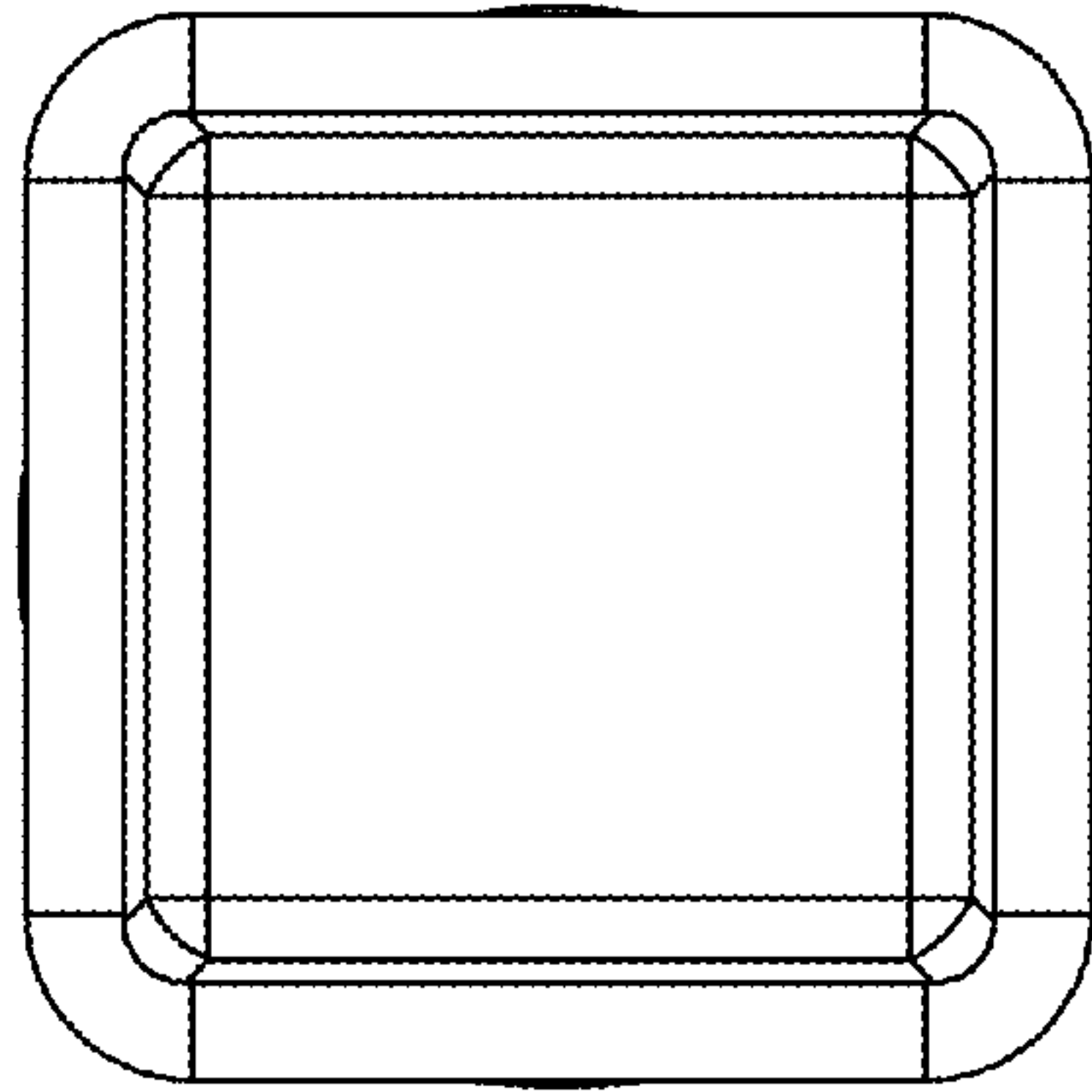


Fig.27

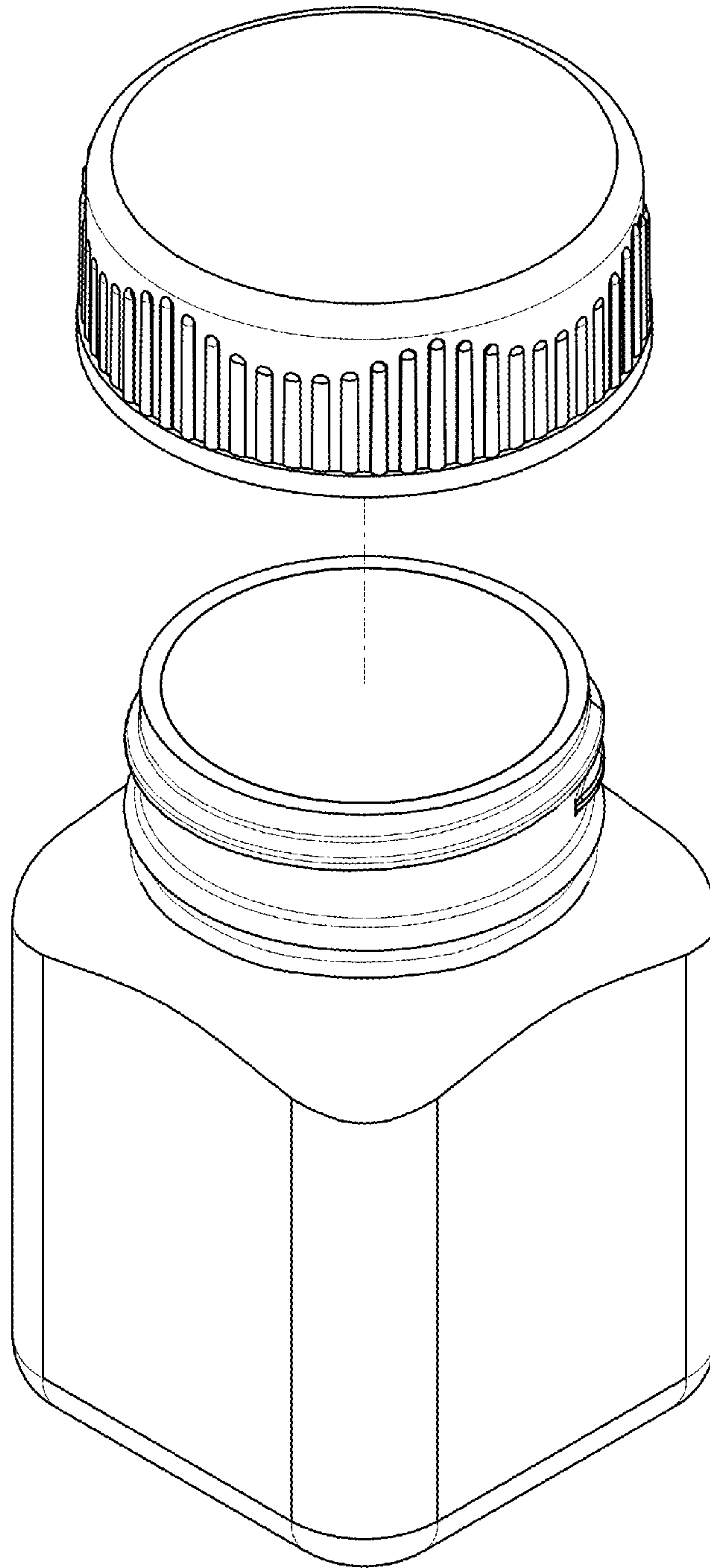


Fig.28

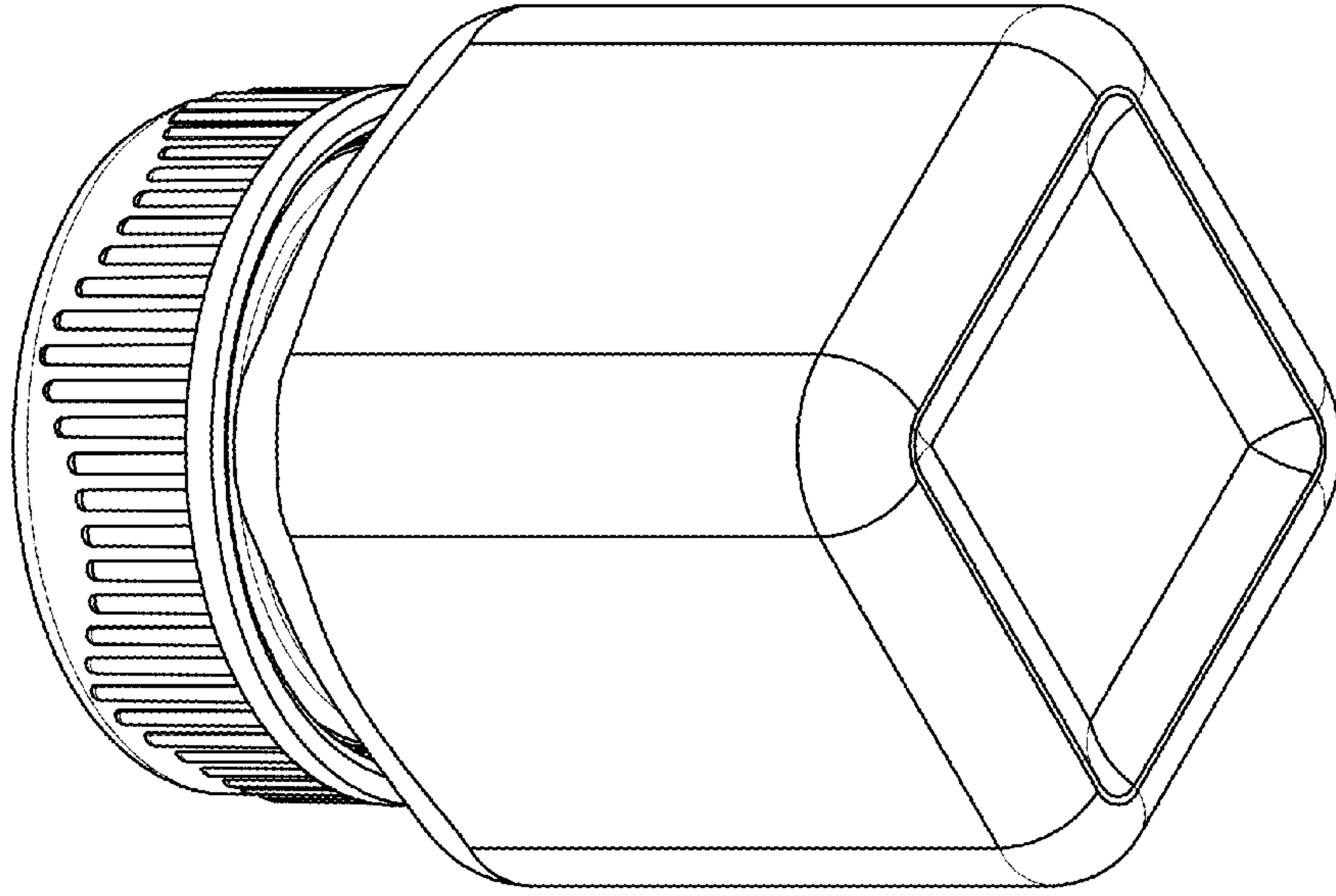


Fig.30

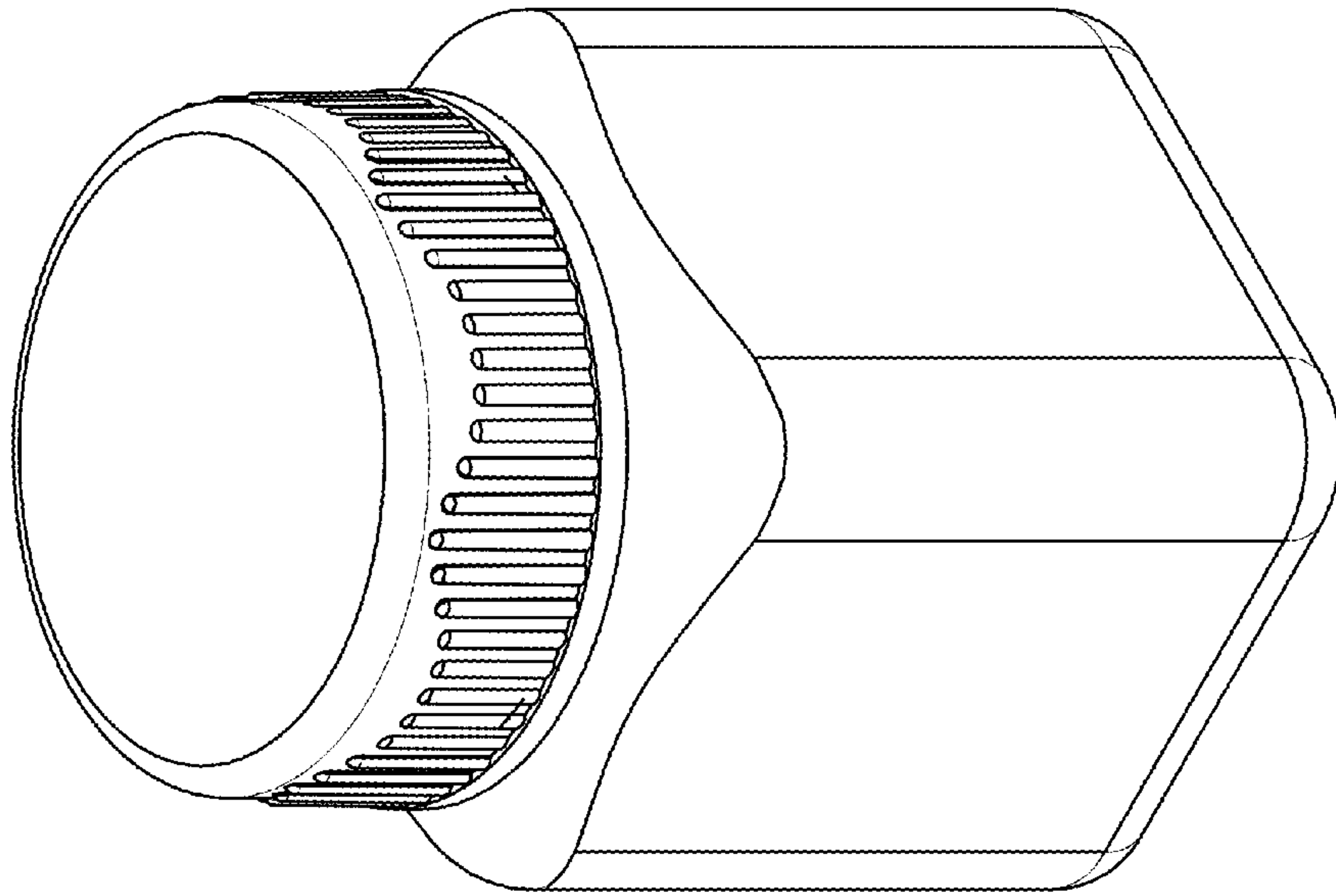


Fig.29

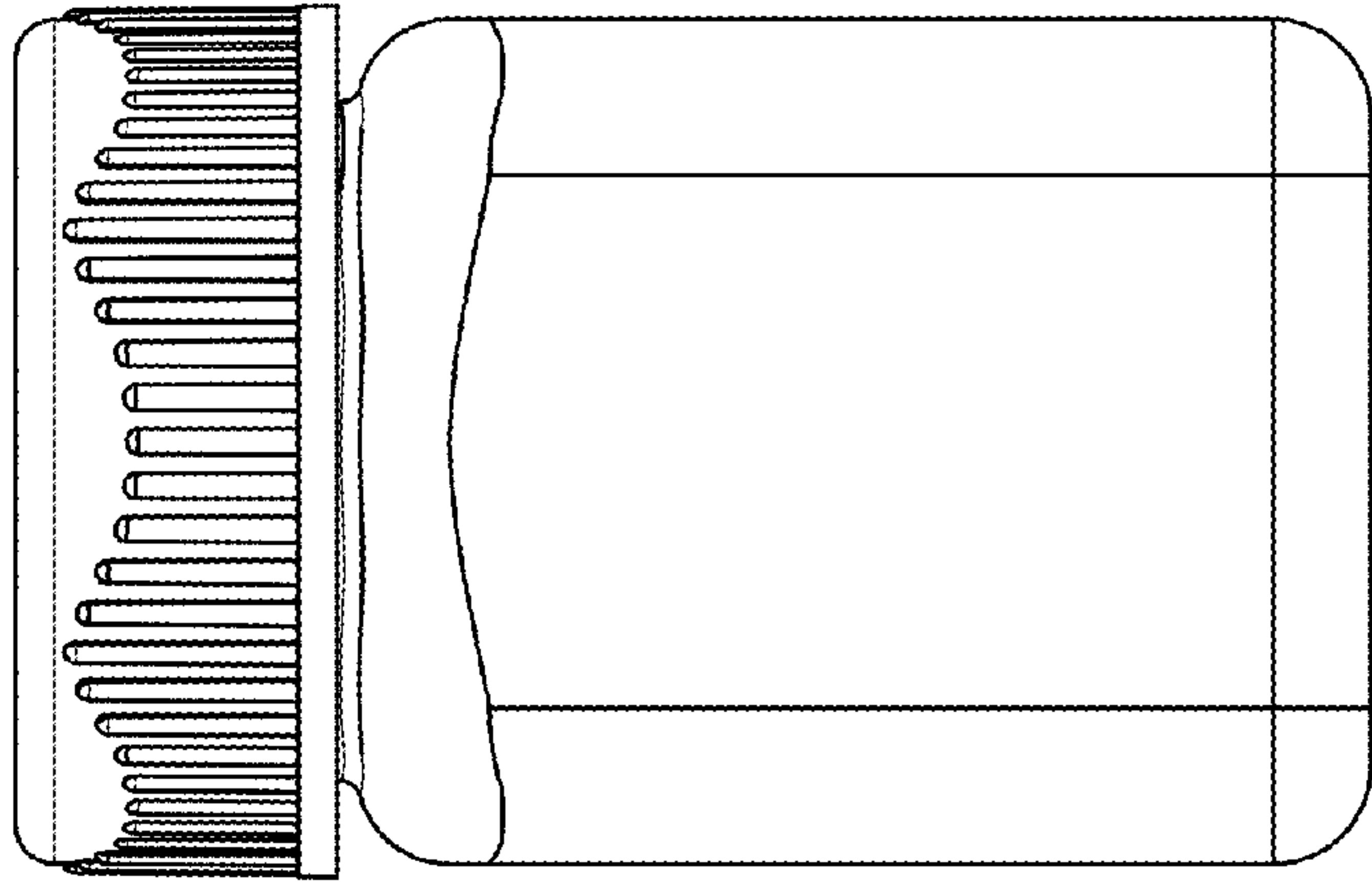


Fig.31

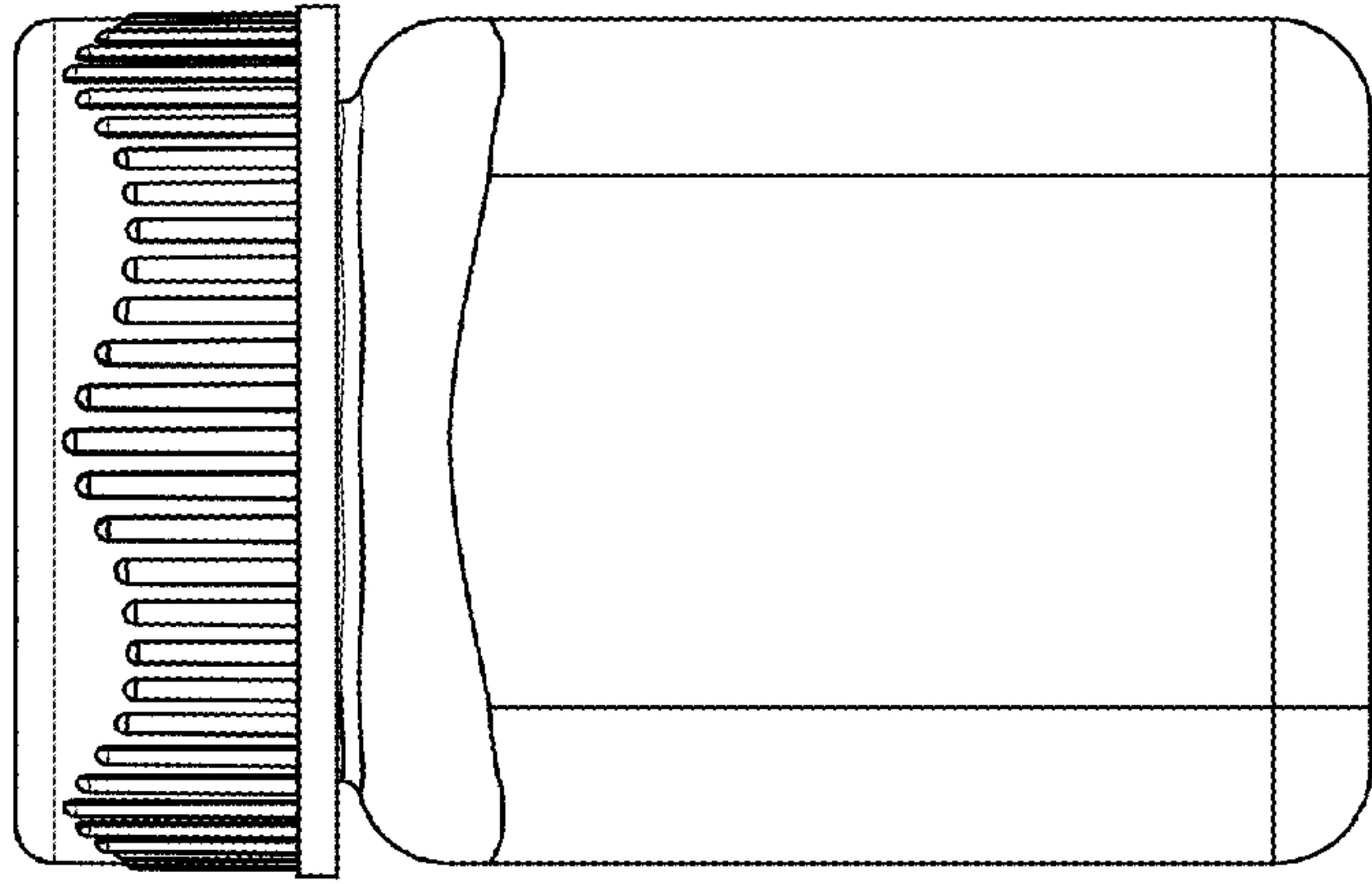


Fig.32

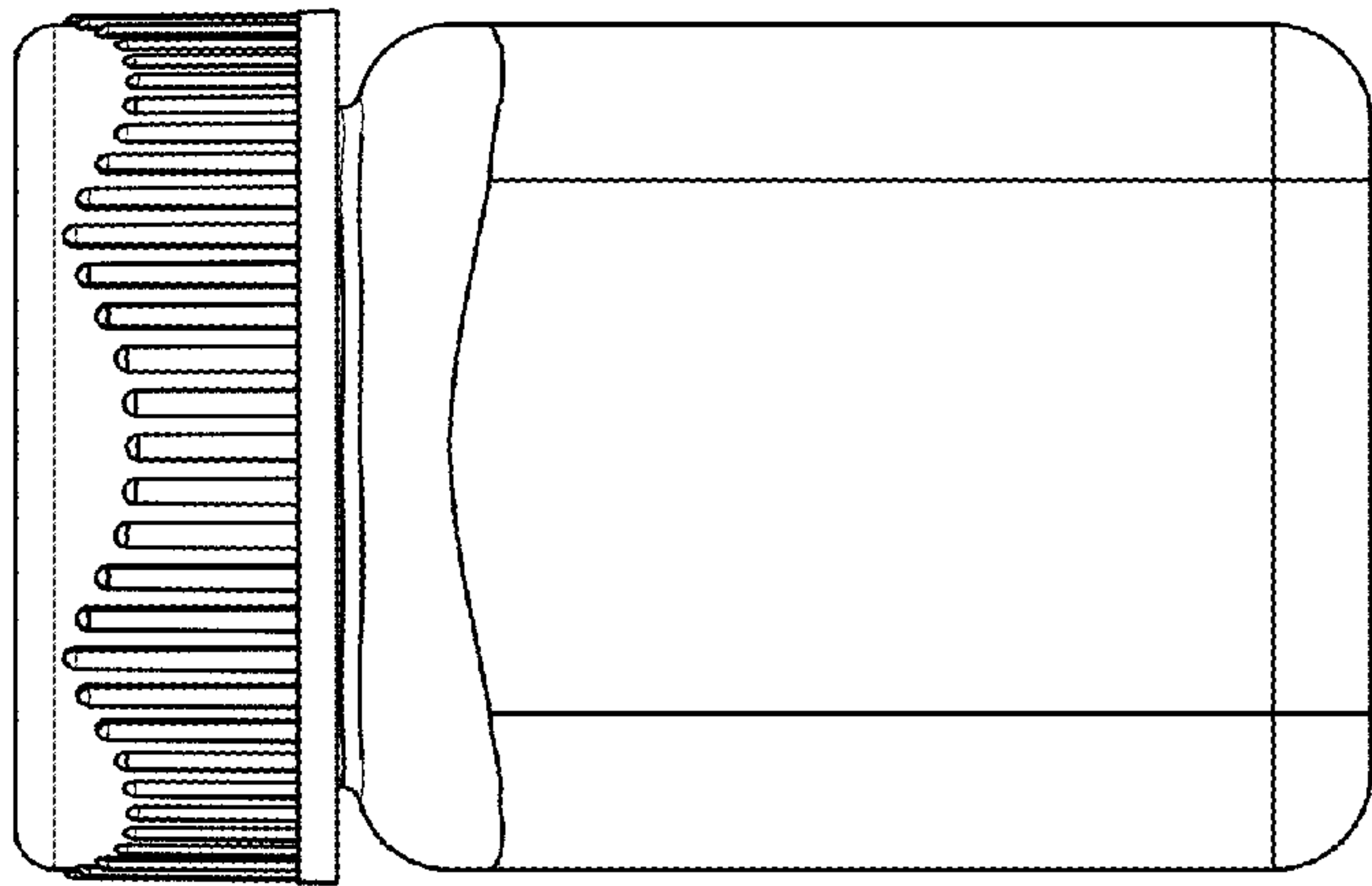


Fig.33

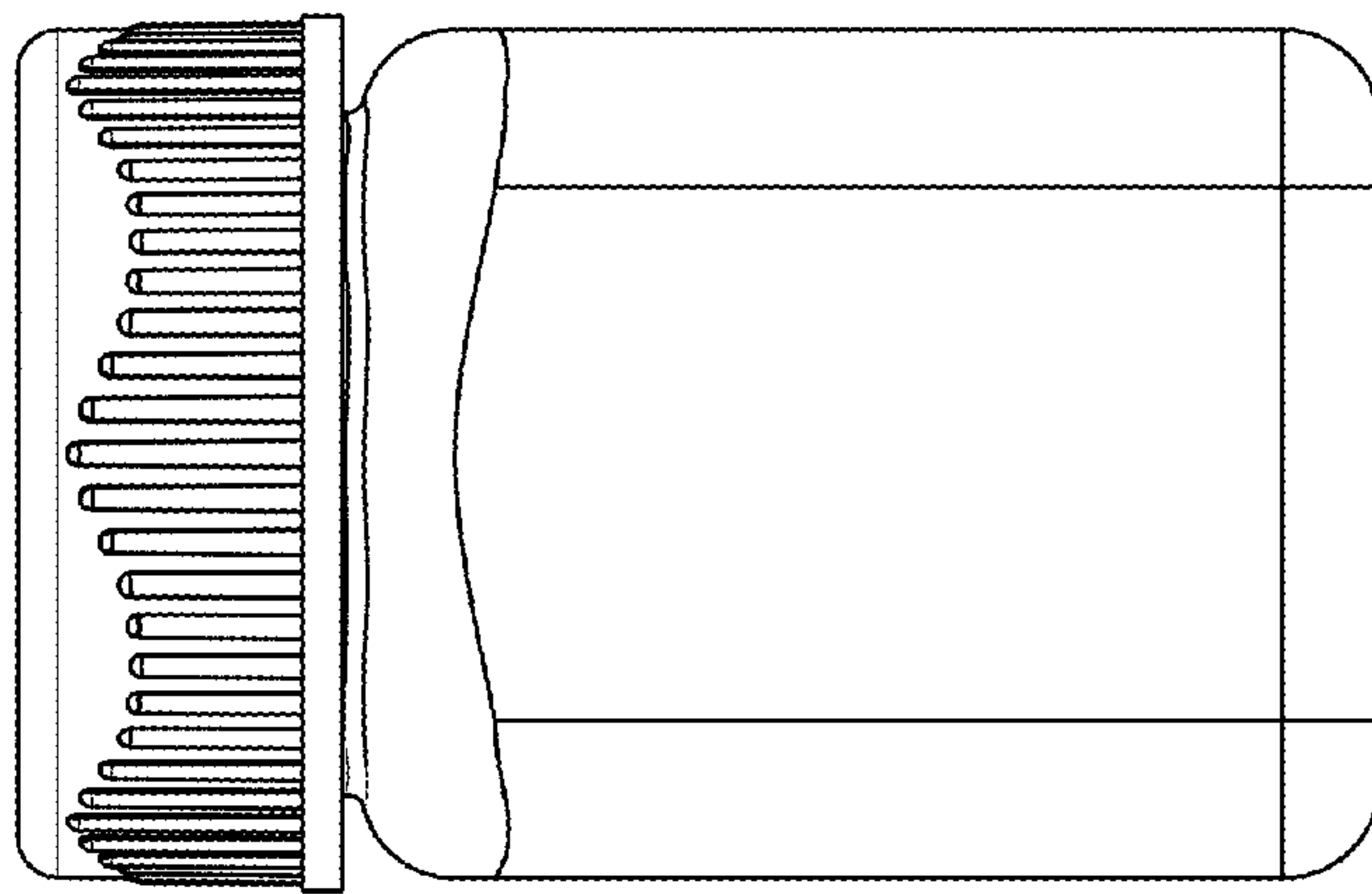


Fig.34

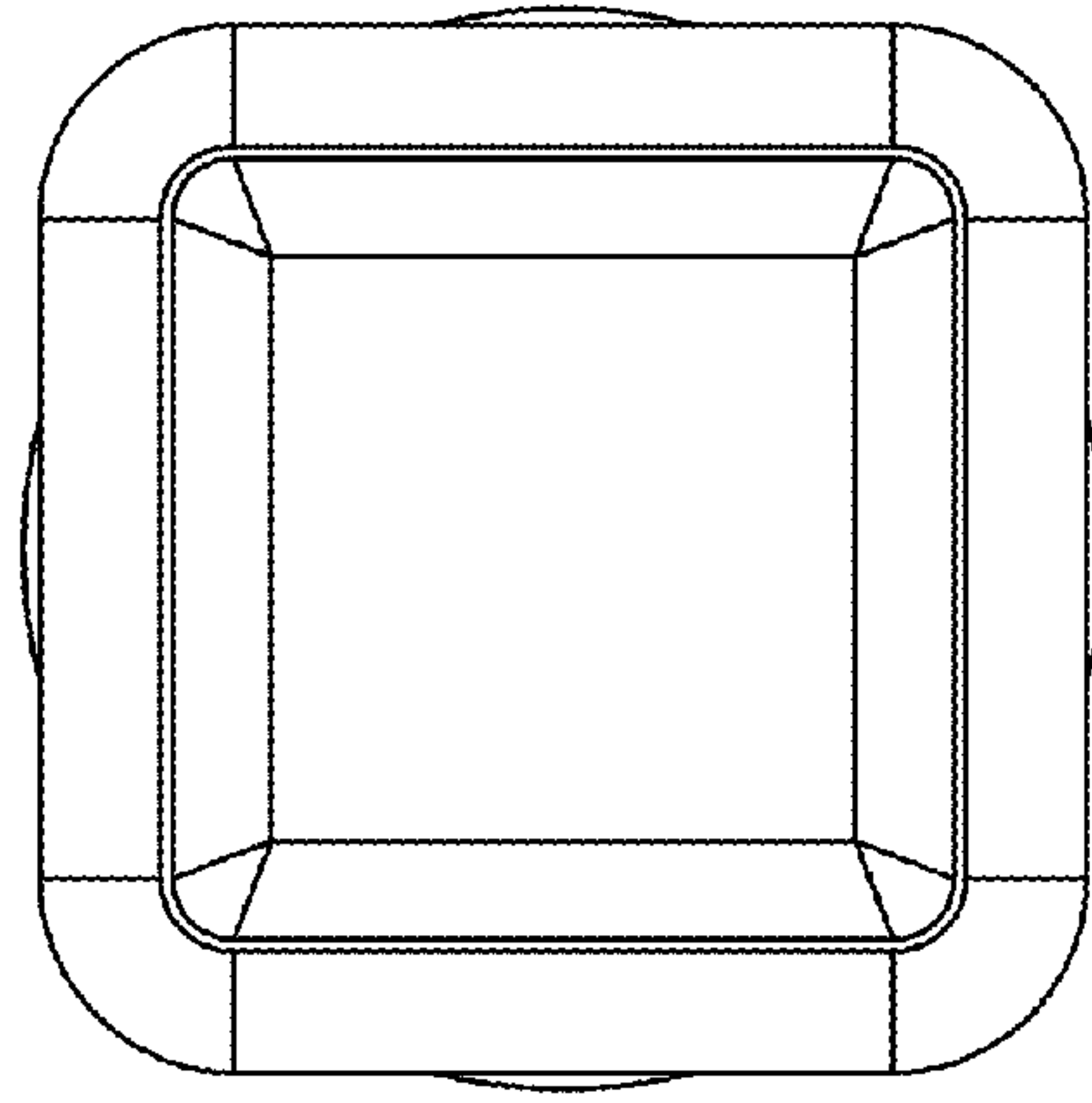


Fig.35

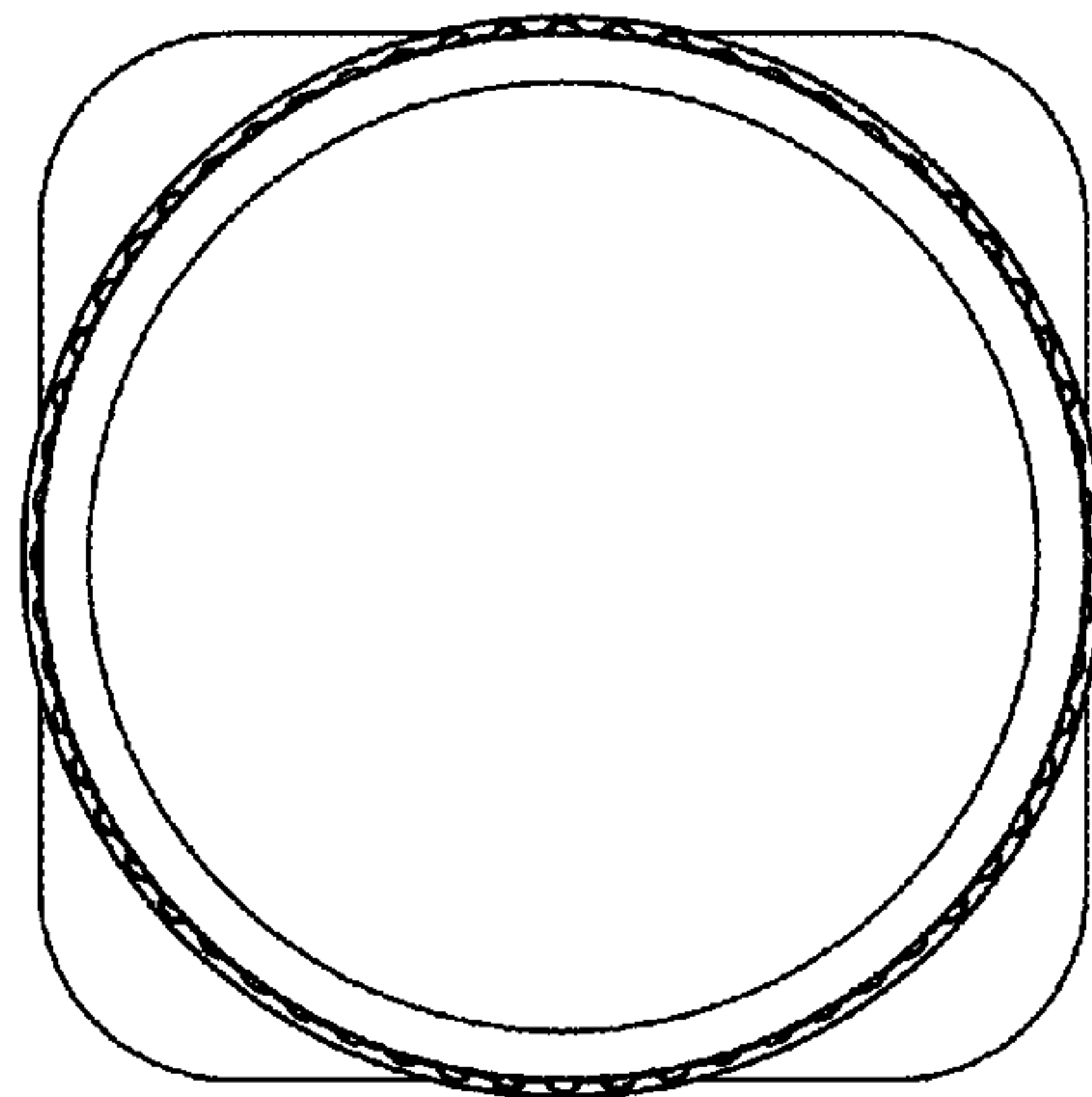


Fig.36

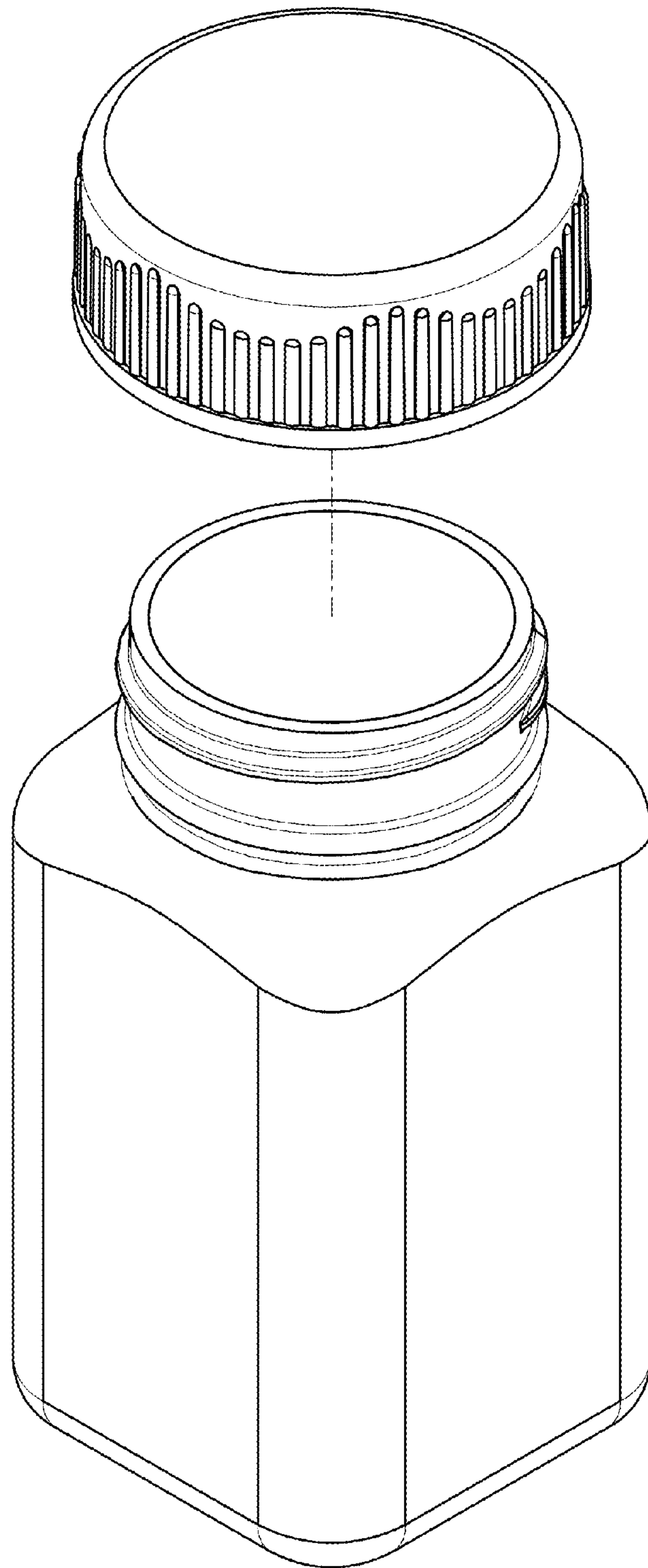


Fig.37

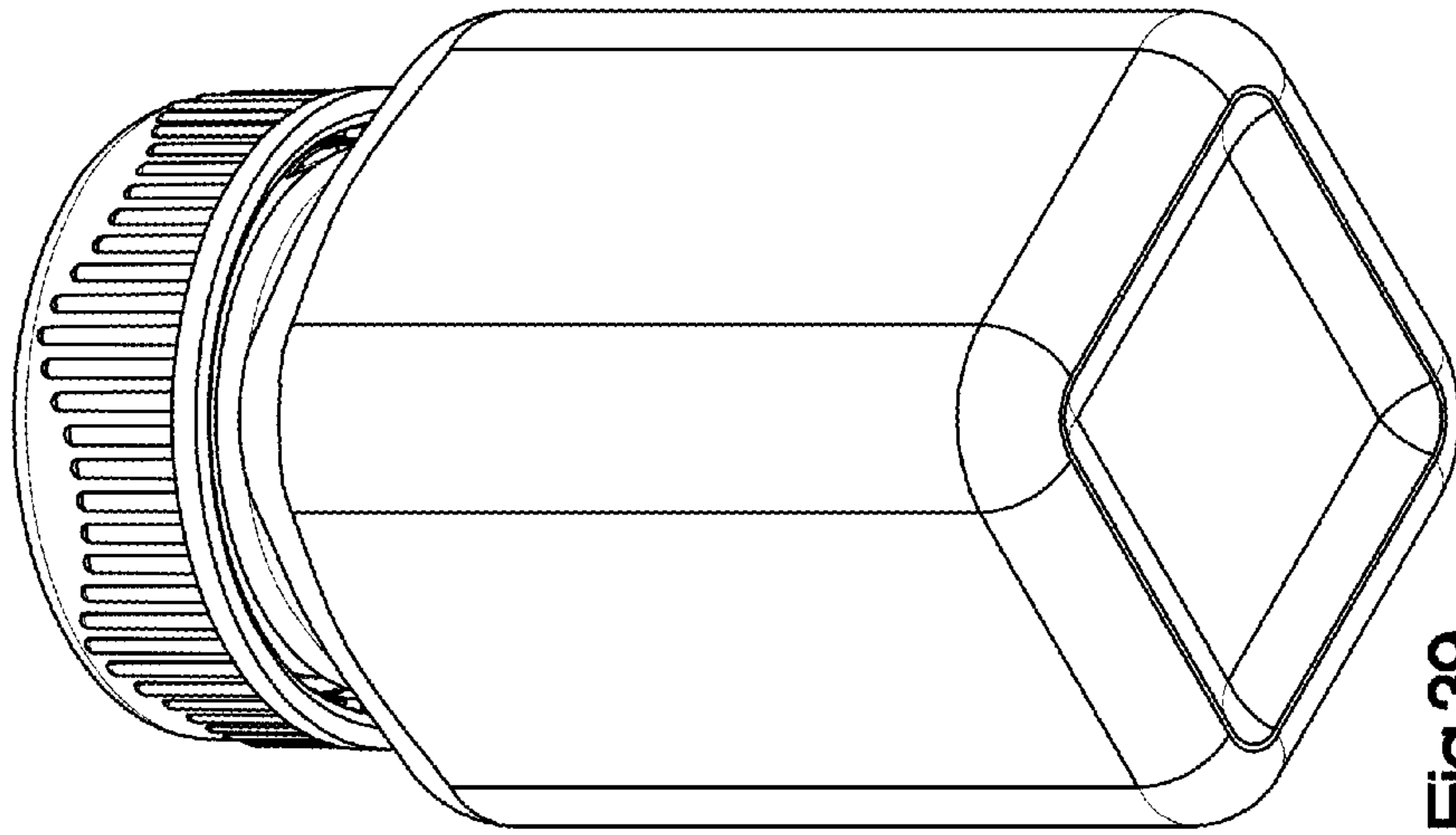


Fig.39

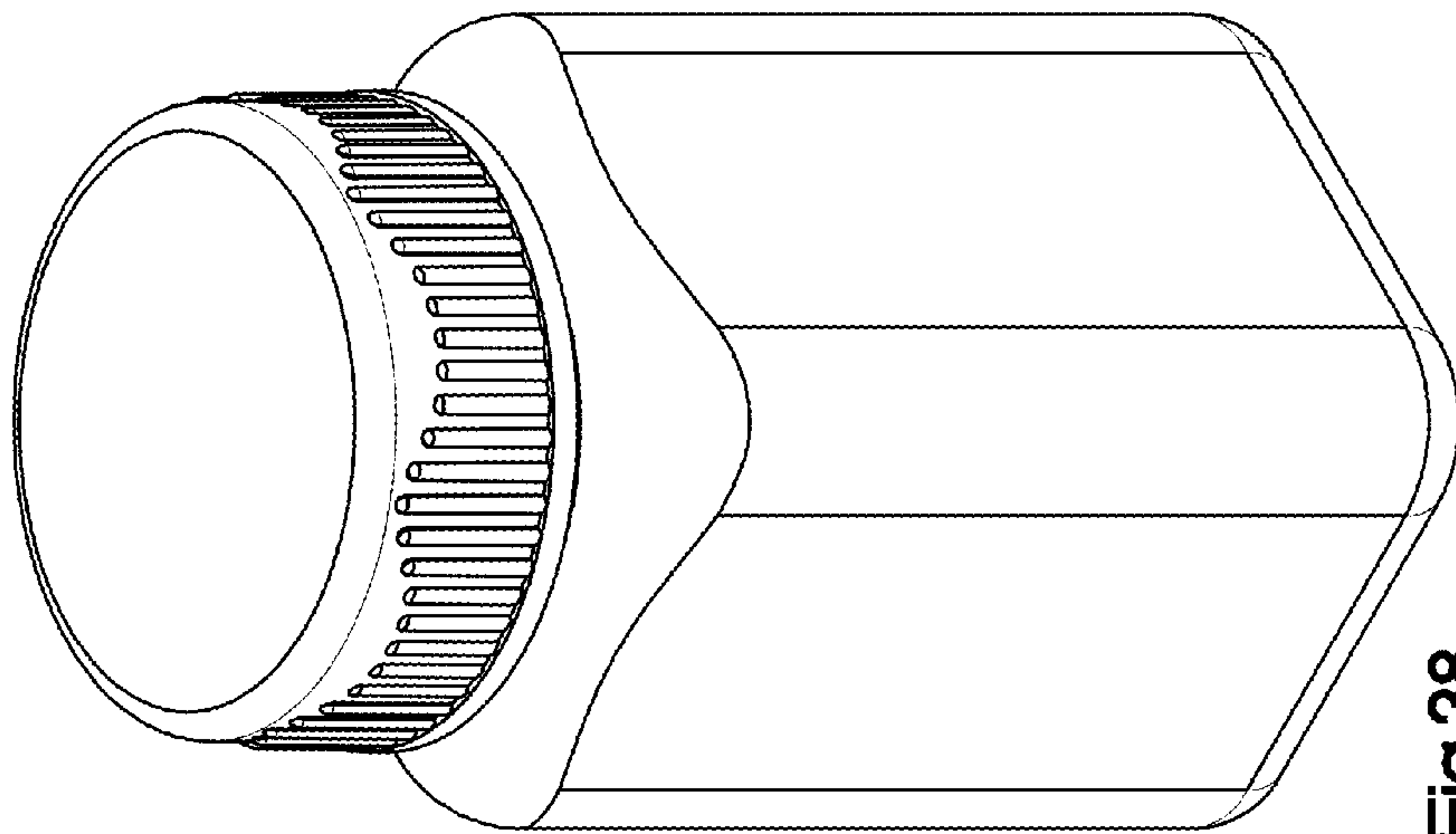


Fig.38

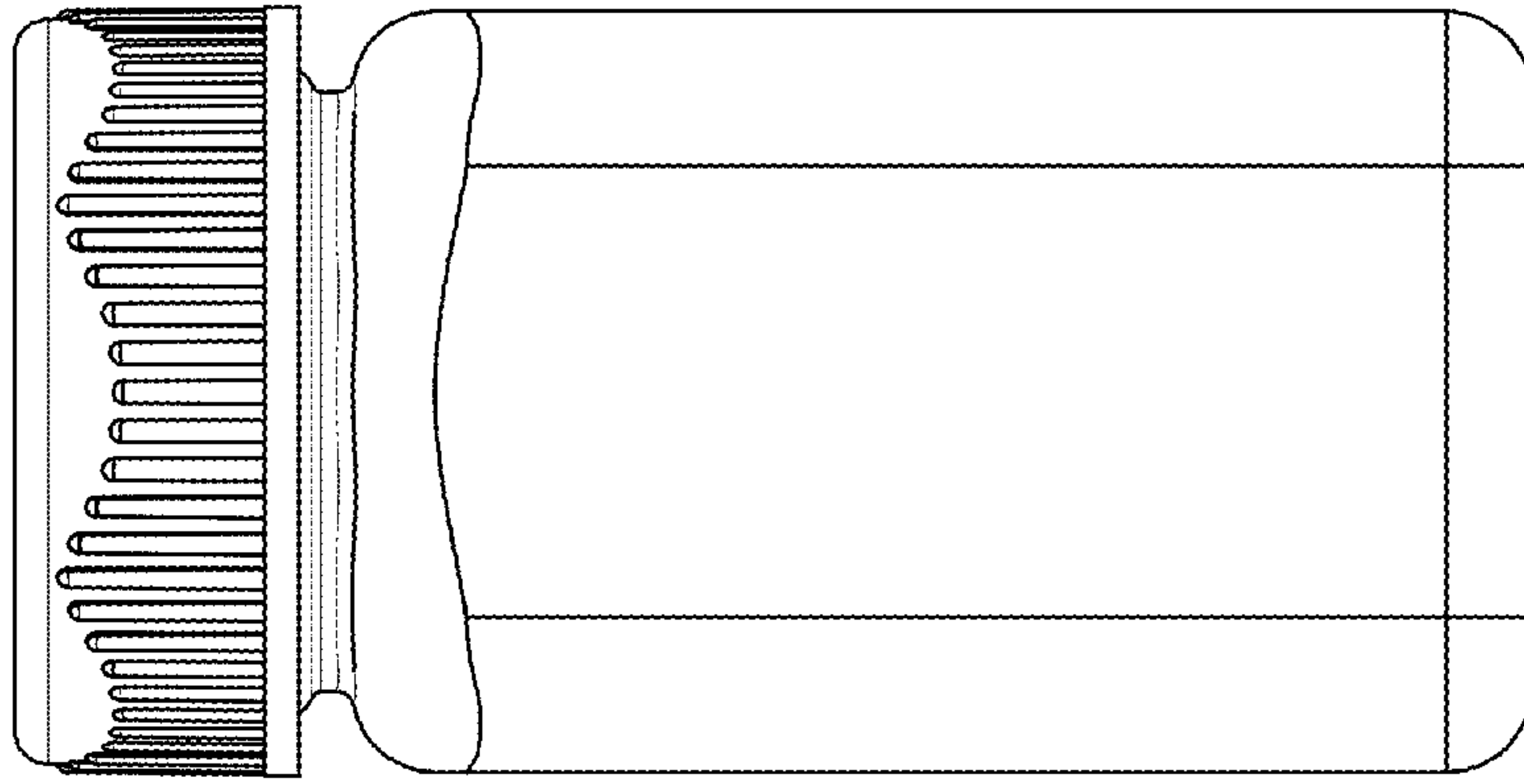


Fig.40

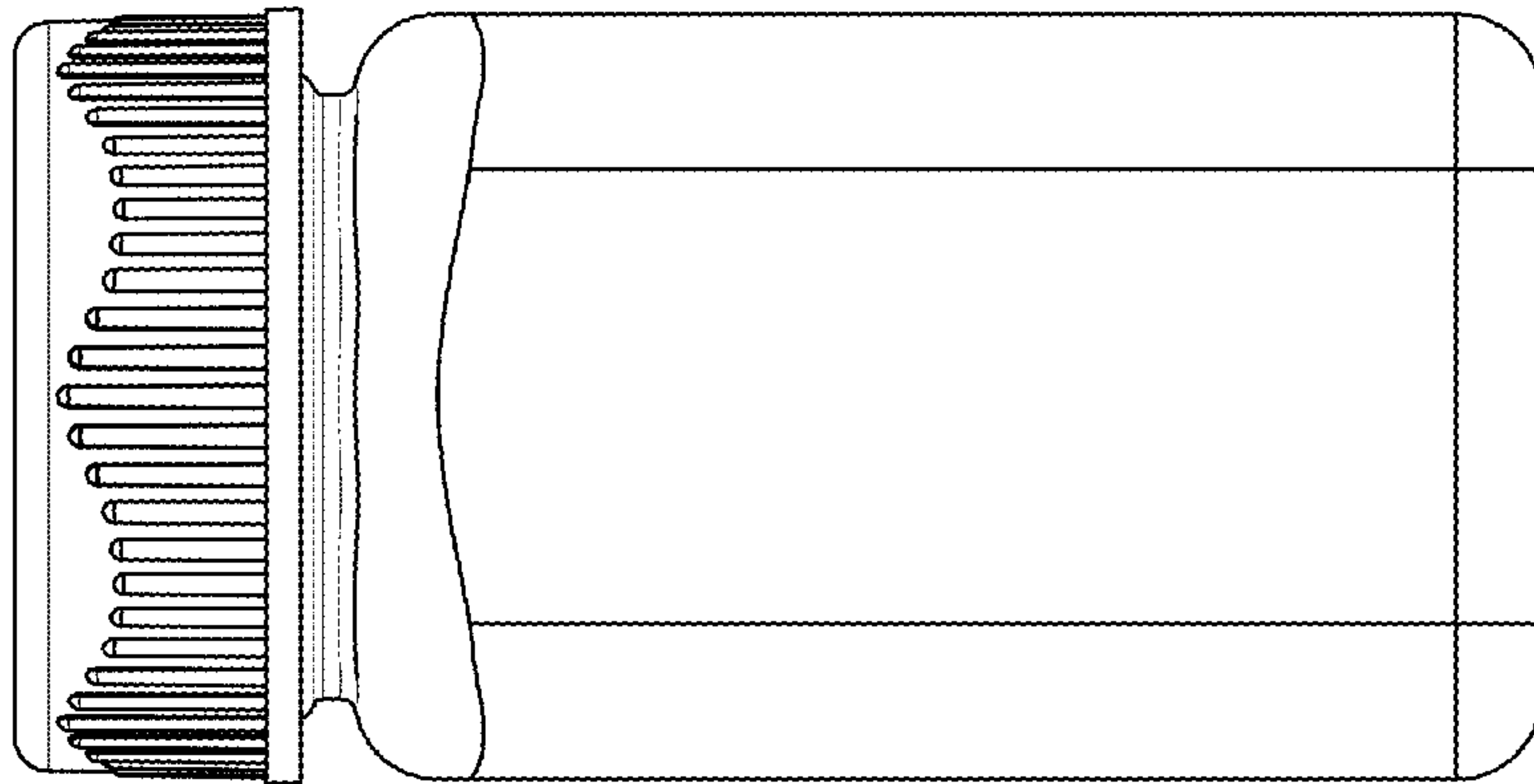


Fig.41

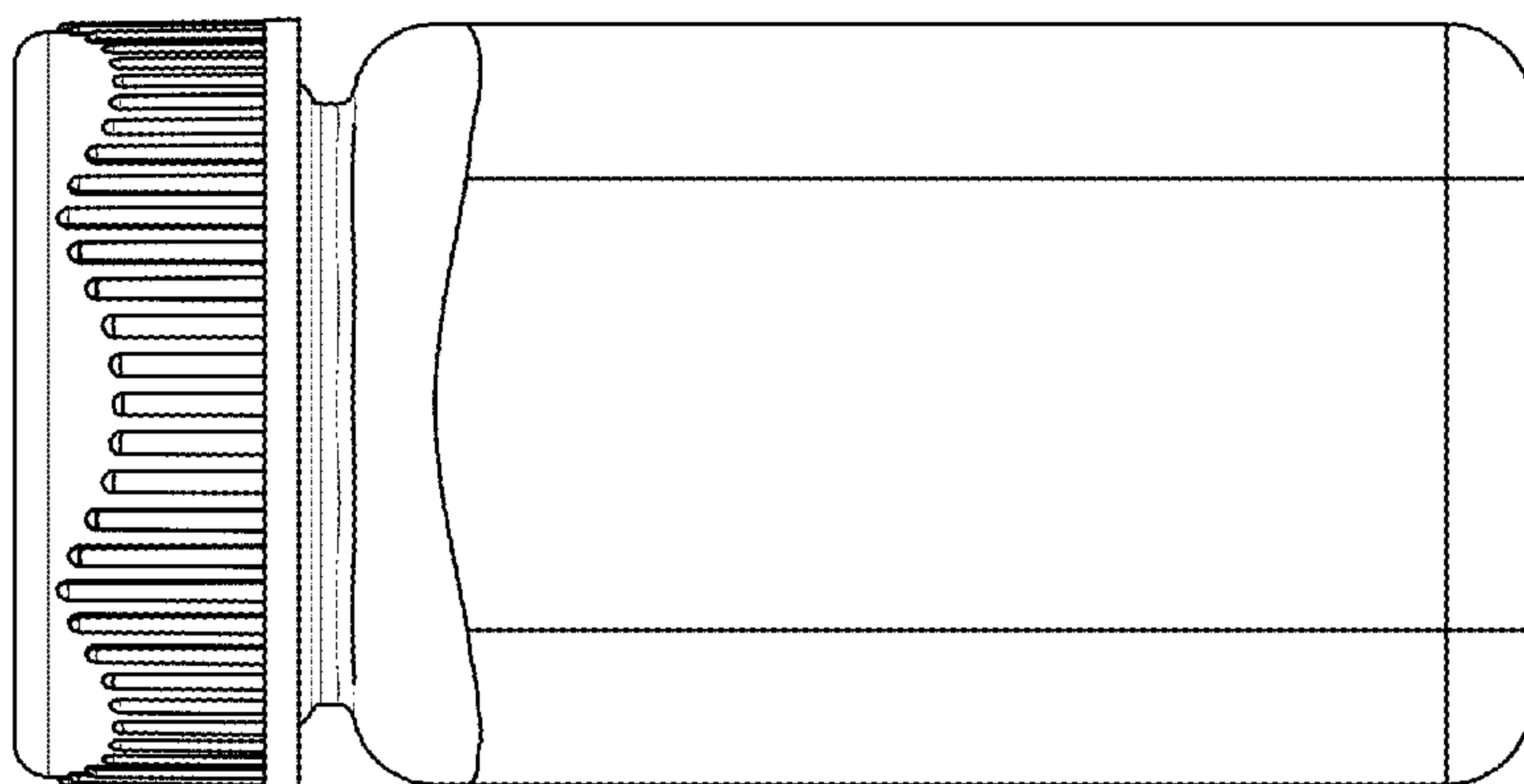


Fig.42

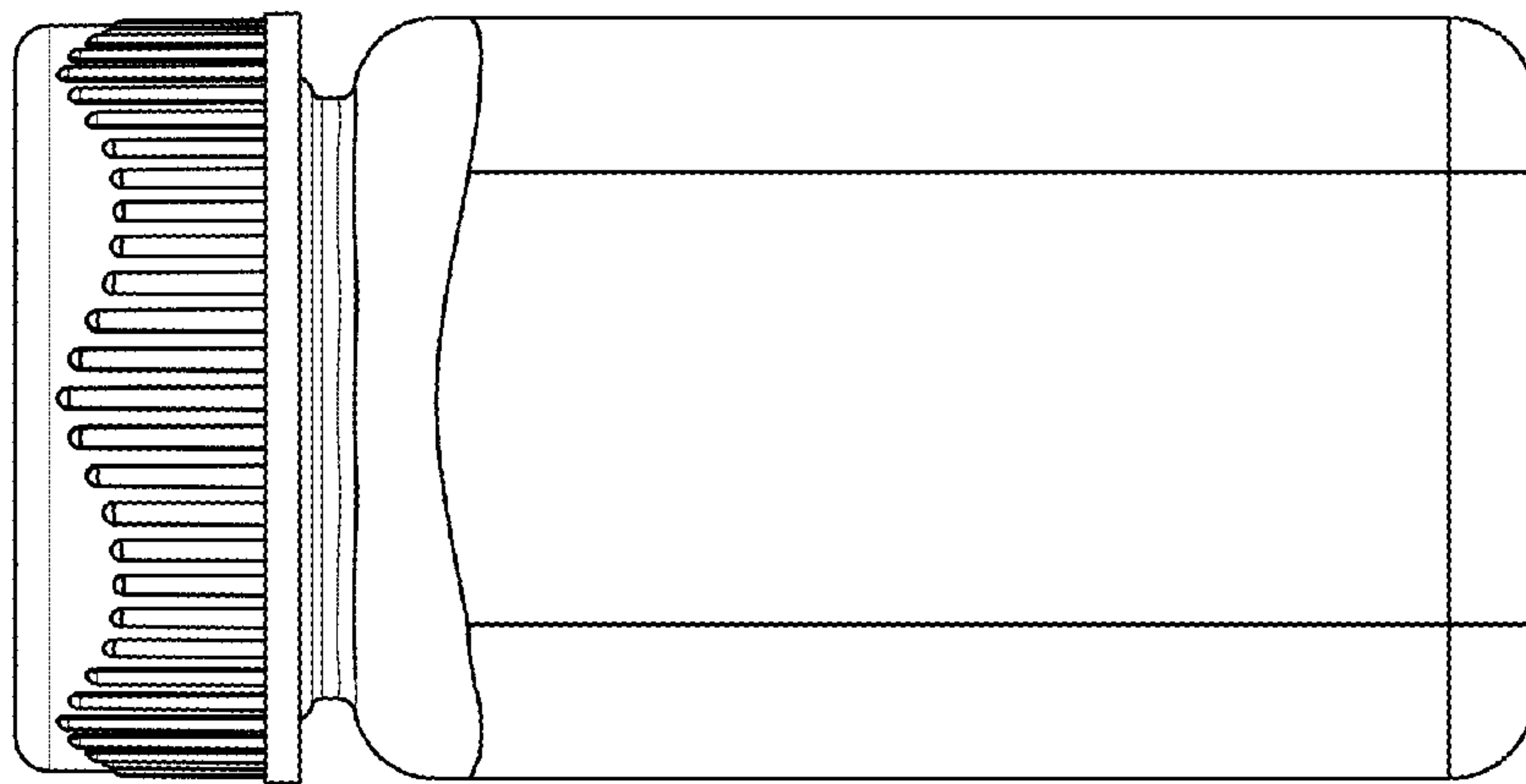


Fig.43



Fig.44

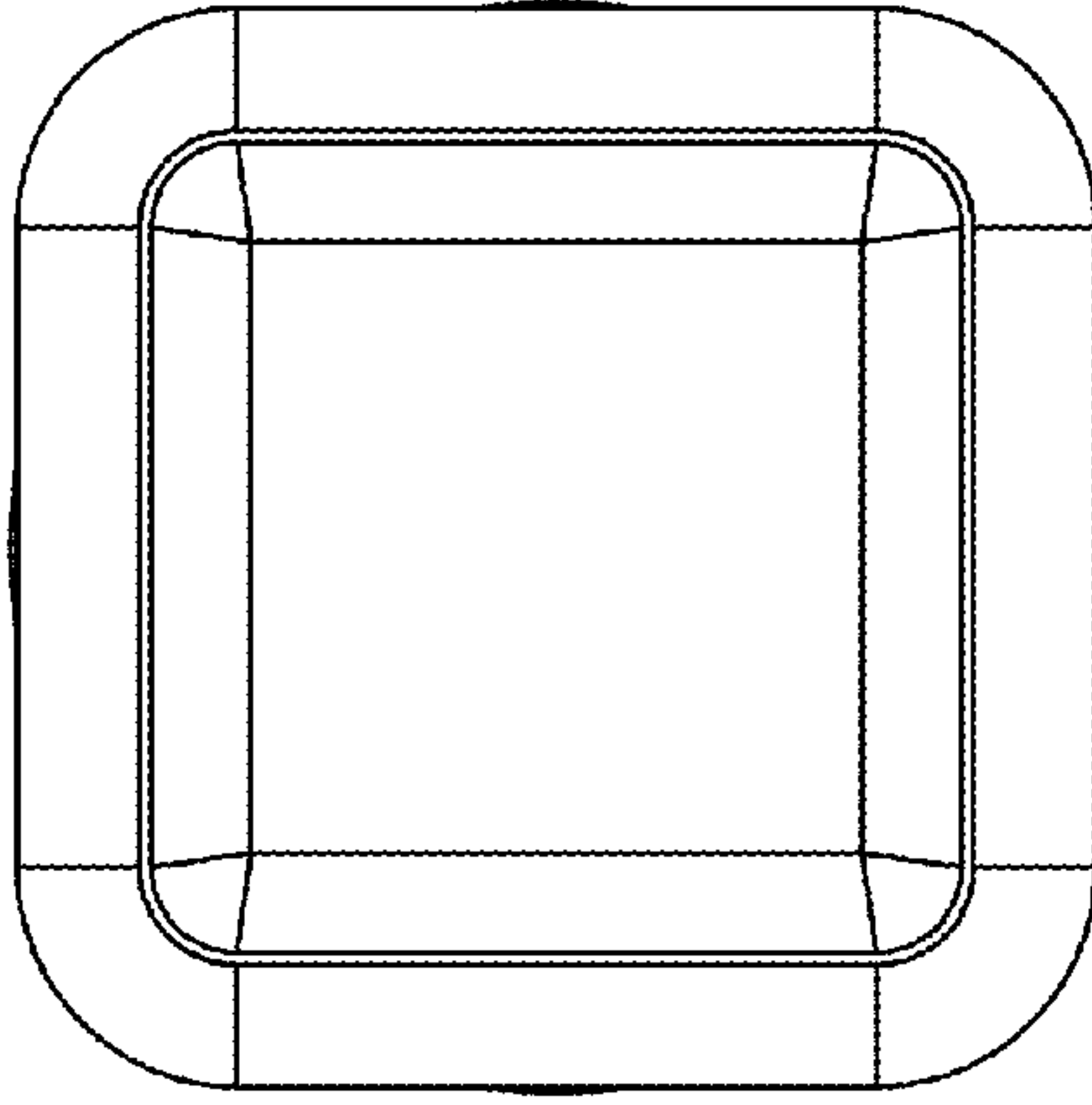


Fig.45

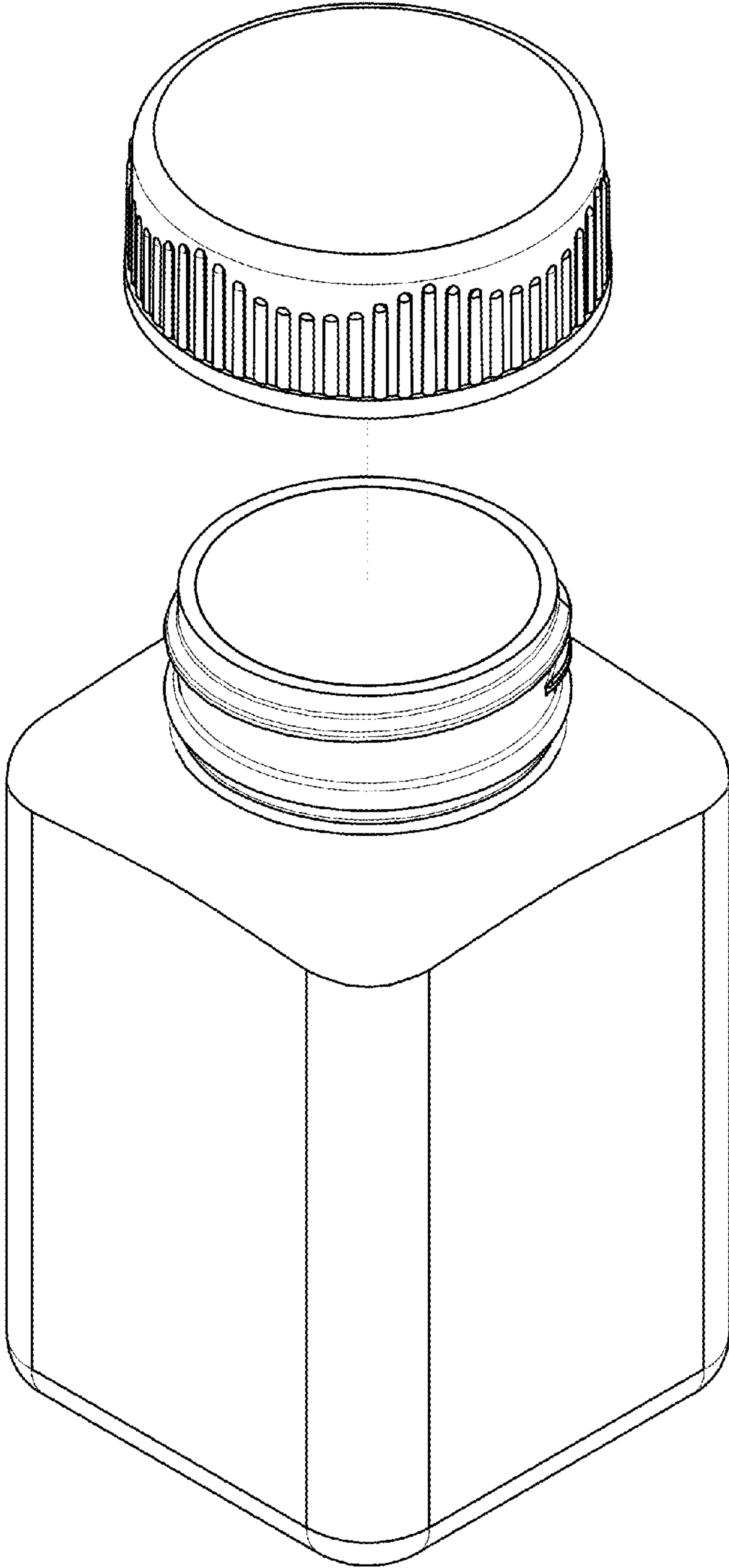


Fig.46

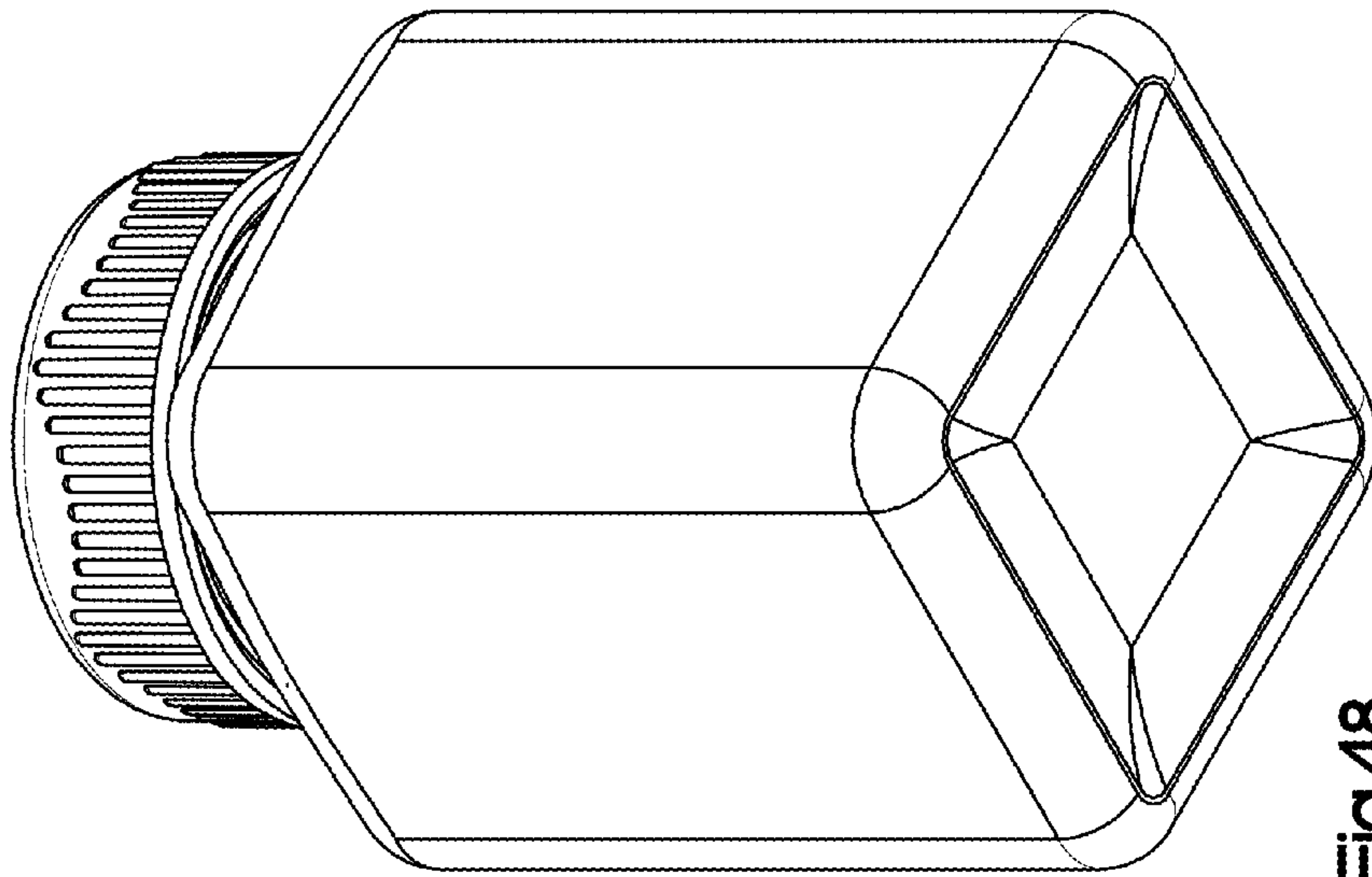


Fig.48

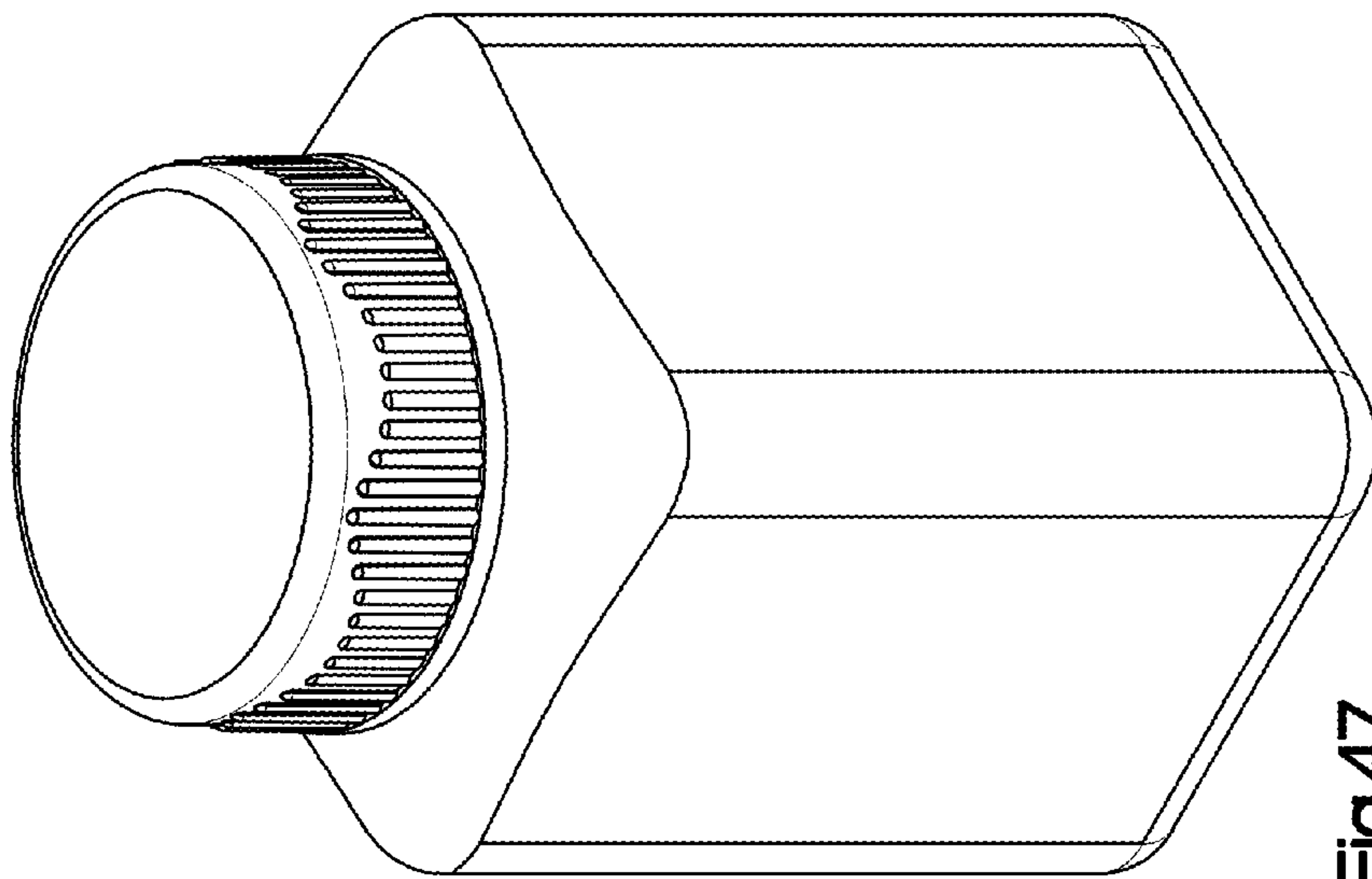


Fig.47

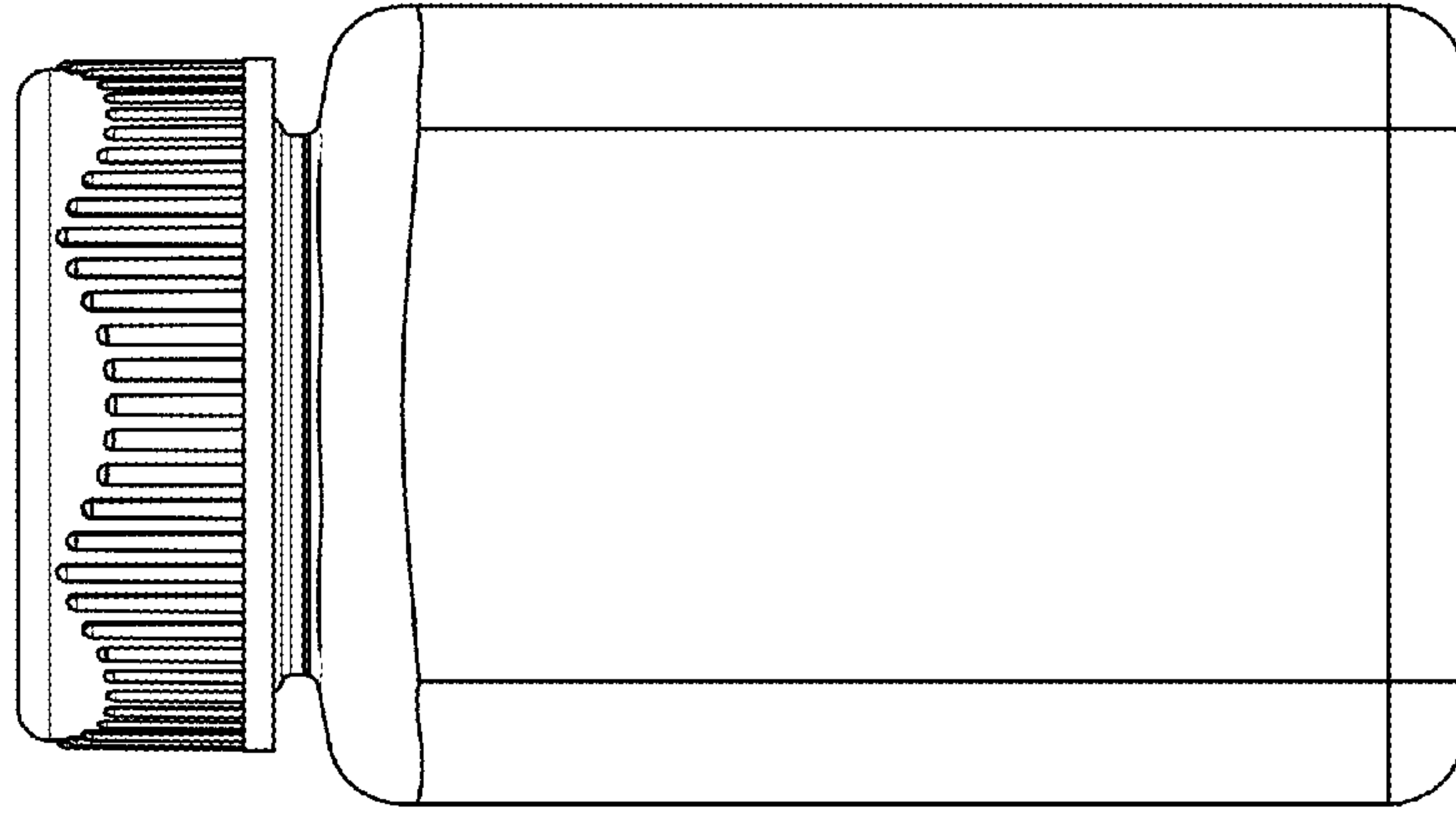


Fig.49

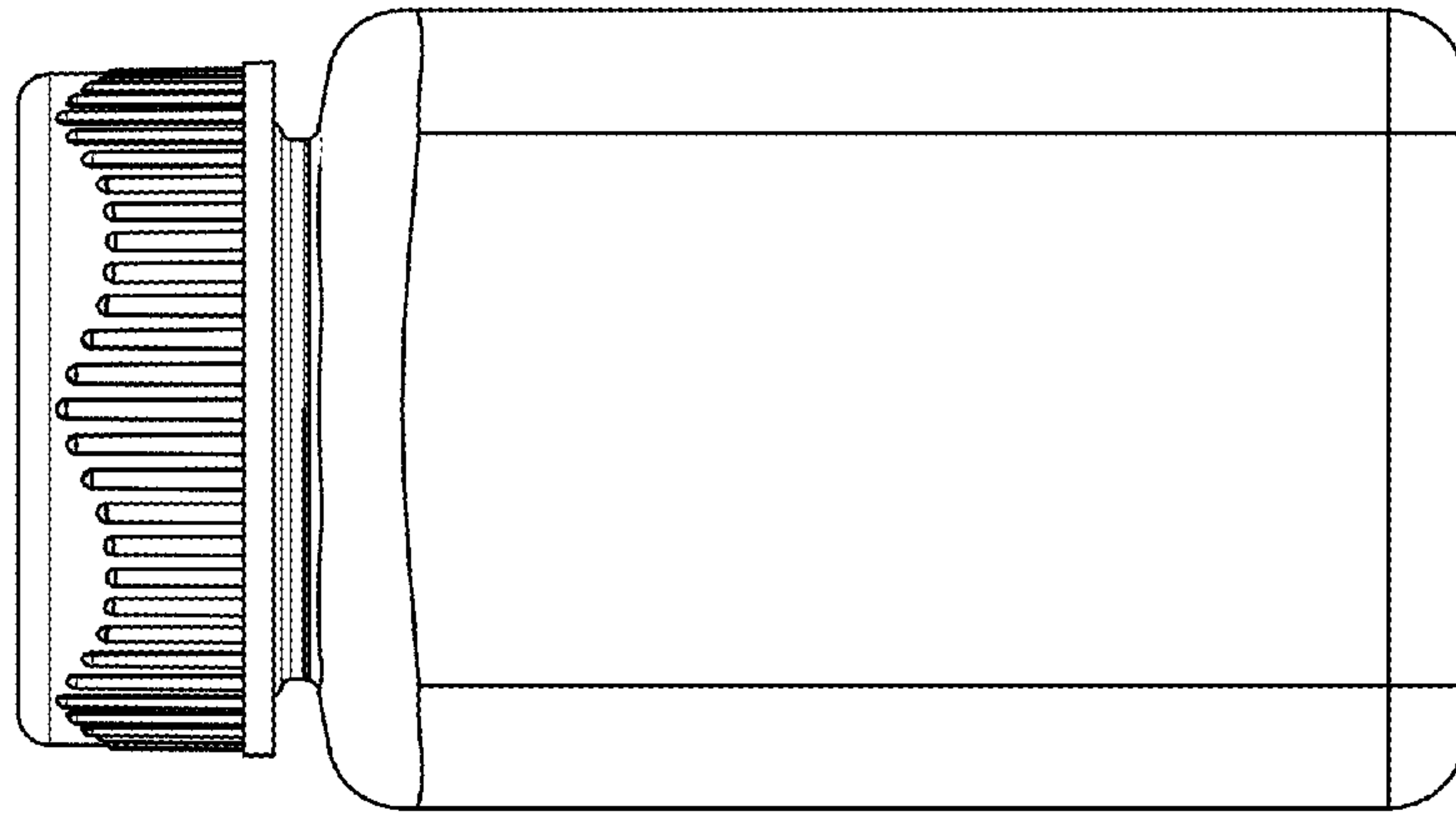


Fig.50

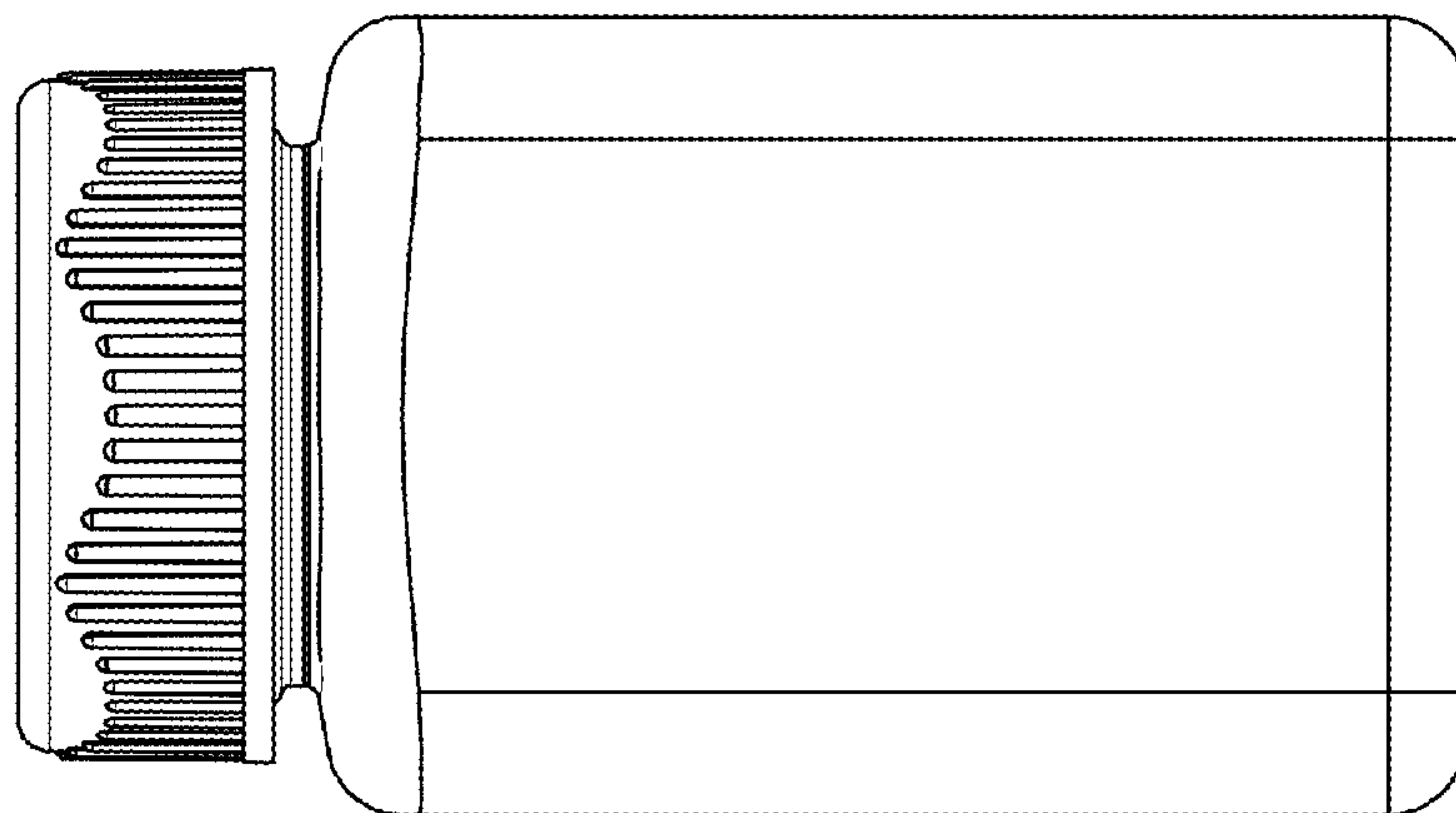


Fig.51

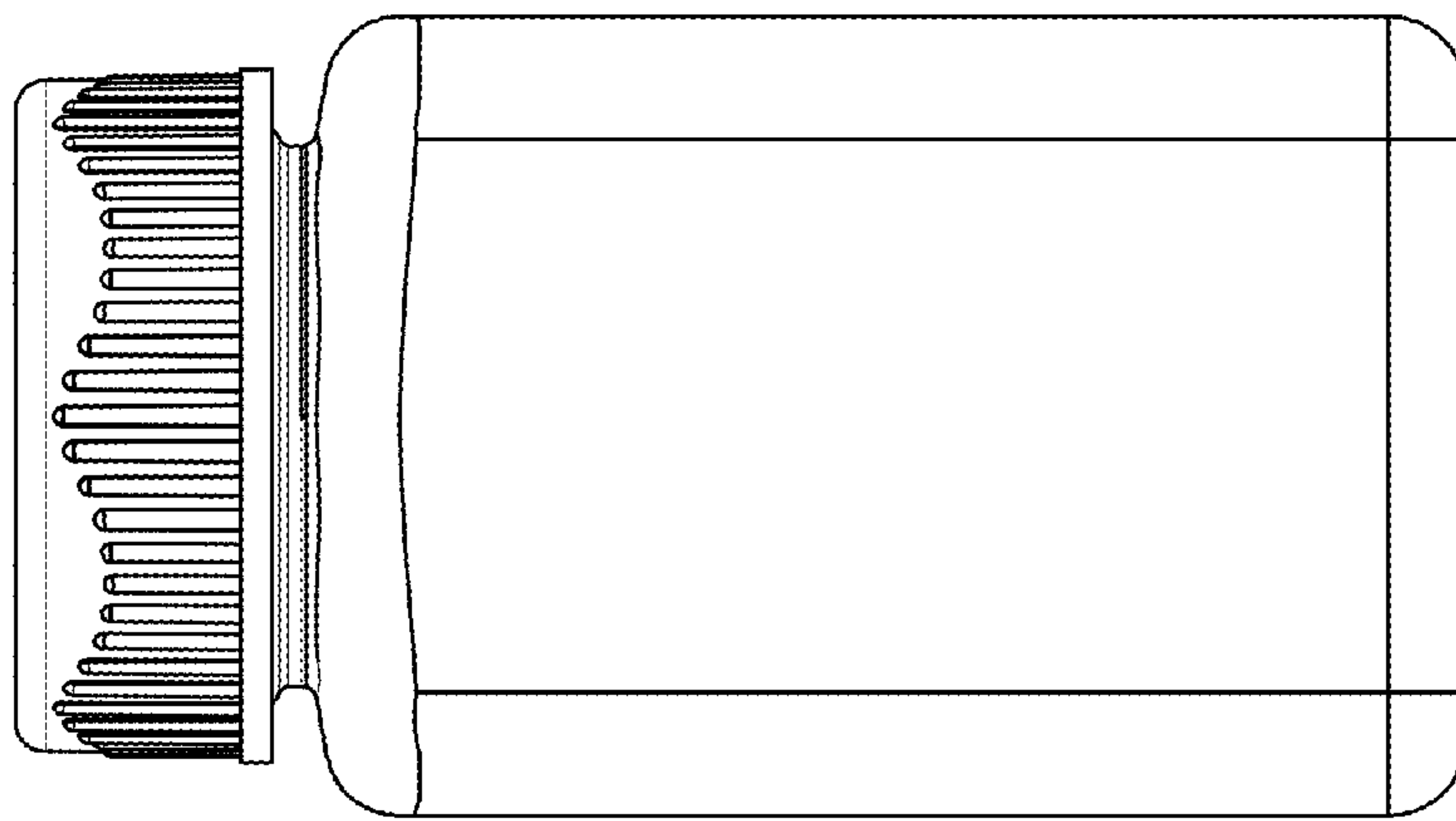


Fig.52

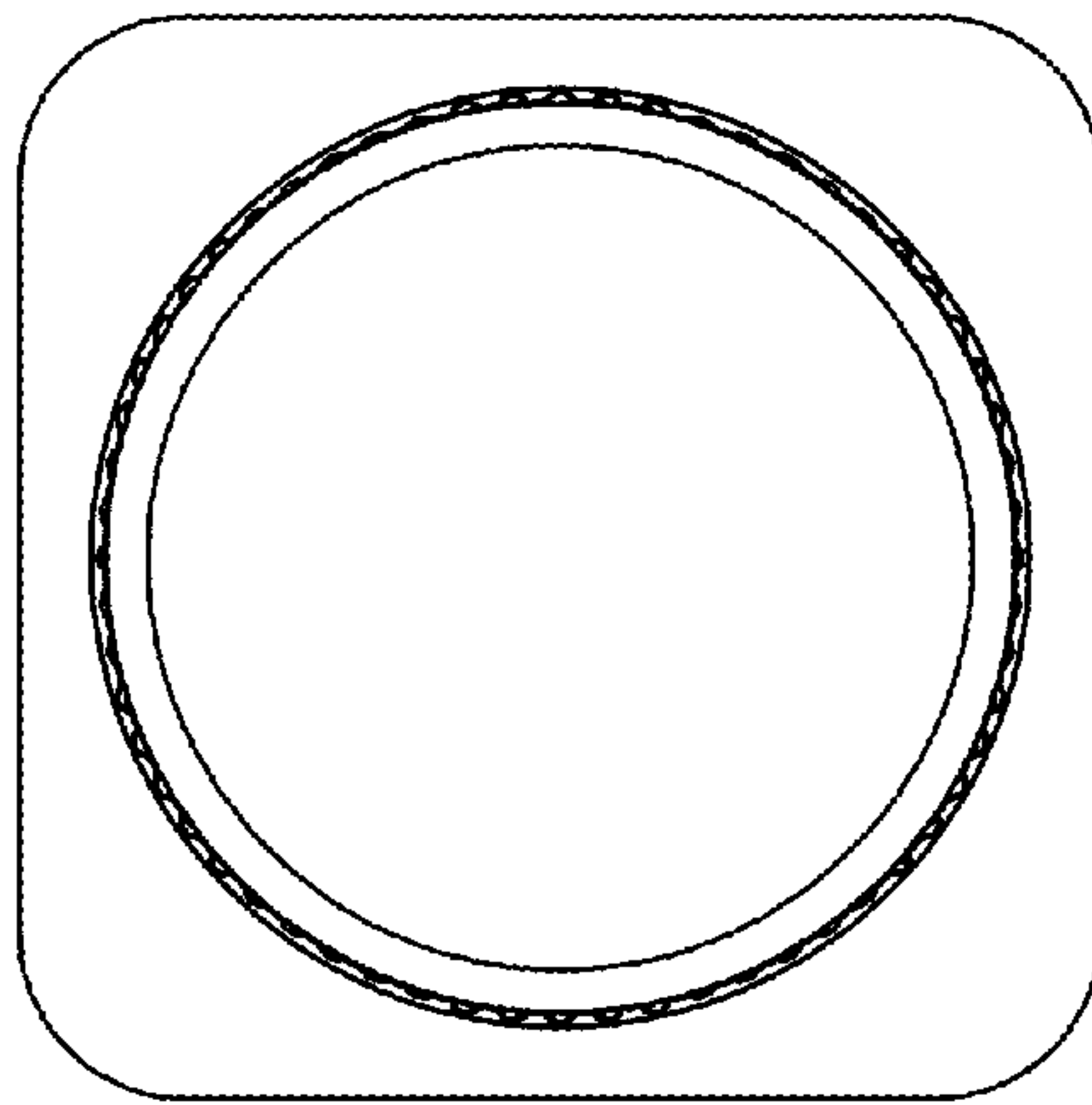


Fig.53

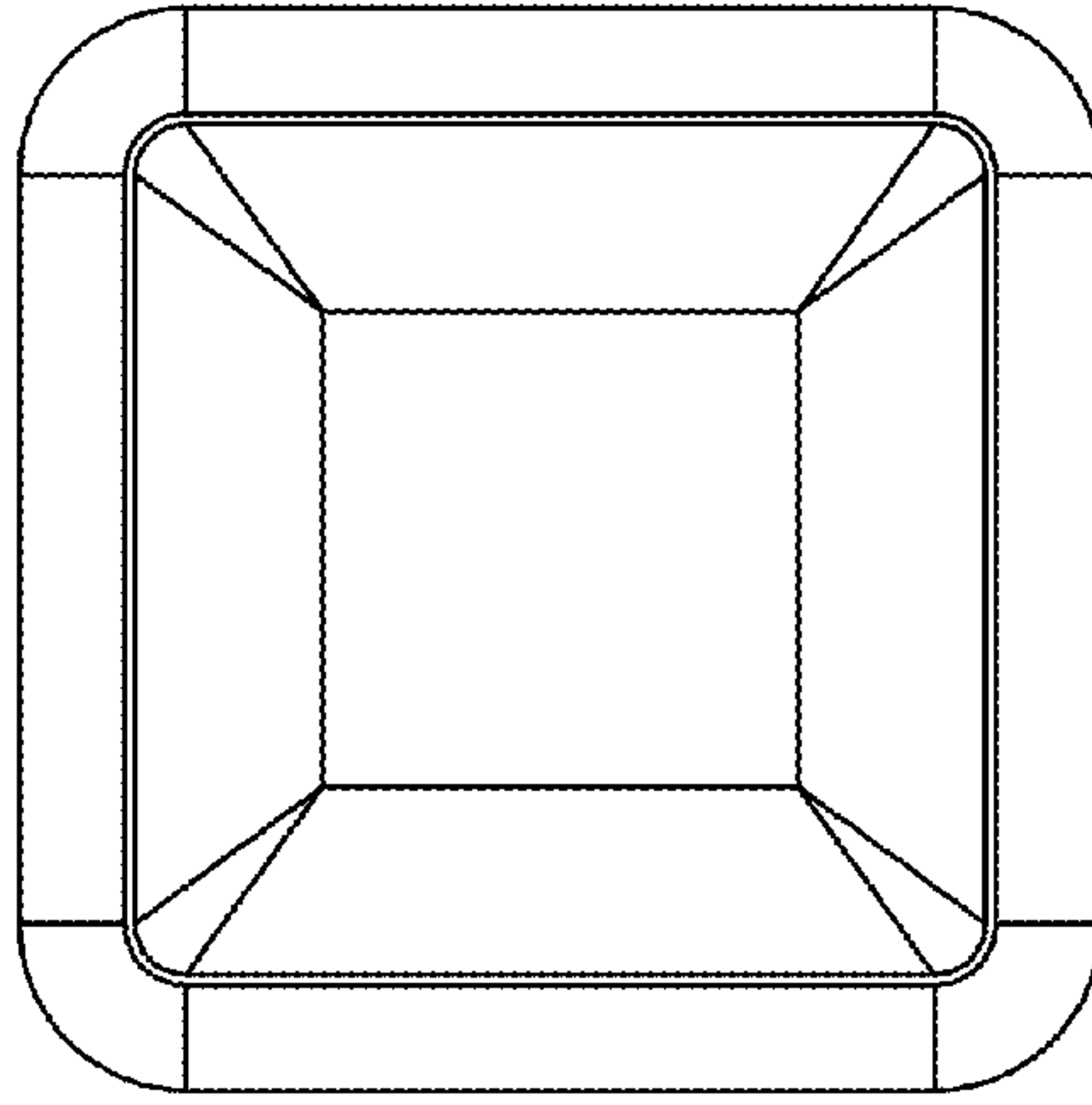


Fig.54