



US00D767400S

(12) **United States Design Patent** (10) **Patent No.:** **US D767,400 S**
Arters (45) **Date of Patent:** **** Sep. 27, 2016**

(54) **ASYMMETRICALLY-SHAPED BOTTLE**
(71) Applicant: **DIAGEO NORTH AMERICA, INC.**,
Norwalk, CT (US)

D668,955 S 10/2012 Zuchetta
D679,187 S 4/2013 Zuchetta
D679,188 S 4/2013 Zuchetta
D688,132 S * 8/2013 Reynolds D9/542
D719,455 S * 12/2014 Perez-Cabrera D9/559
D732,961 S * 6/2015 Neave D9/522

(72) Inventor: **Lee Arters**, New York, NY (US)

(73) Assignee: **DIAGEO NORTH AMERICA, INC.**,
Norwalk, CT (US)

FOREIGN PATENT DOCUMENTS

(**) Term: **14 Years**

CA 21160 6/1957
CA 53473 10/1984
CA 68655 6/1991
CA 137052 6/2011
CO 08-012882 2/2008
EM 000261219-0001 12/2004

(21) Appl. No.: **29/471,116**

(Continued)

(22) Filed: **Oct. 28, 2013**

(51) **LOC (10) Cl.** **09-01**

Primary Examiner — Cynthia Ramirez

(52) **U.S. Cl.**
USPC **D9/522**

Assistant Examiner — Gino Colan

(74) *Attorney, Agent, or Firm* — Dorsey & Whitney LLP

(58) **Field of Classification Search**
USPC D9/522, 523, 683, 687, 516, 520,
D9/541–543, 563–574, 575, 560, 529, 561,
D9/682, 685, 686, 693–694, 530, 544, 546,
D9/500, 502–505, 537, 539, 549, 558;
215/379, 370–371, 381–384
CPC B65D 1/0223; B65D 2501/0081;
B65D 39/0005
See application file for complete search history.

(57) **CLAIM**

The ornamental design for an asymmetrically-shaped bottle,
as shown and described.

DESCRIPTION

(56) **References Cited**

U.S. PATENT DOCUMENTS

D333,618 S * 3/1993 Patel et al. D9/522
D450,597 S * 11/2001 Bobchenok et al. D9/571
D509,433 S 9/2005 Trayser et al.
D511,461 S * 11/2005 Seys D9/522
D544,365 S * 6/2007 Werner D9/560
D548,098 S * 8/2007 Lauret D9/544
D559,688 S * 1/2008 Feen D9/522
D580,771 S * 11/2008 Rica D9/560
D622,153 S 8/2010 Smith
D623,956 S * 9/2010 Wierzbowski D9/544

FIG. 1 is a front, left isometric view of an asymmetrically-shaped bottle.

FIG. 2 is a front elevation view of the asymmetrically-shaped bottle of FIG. 1.

FIG. 3 is a rear elevation view of the asymmetrically-shaped bottle of FIG. 1.

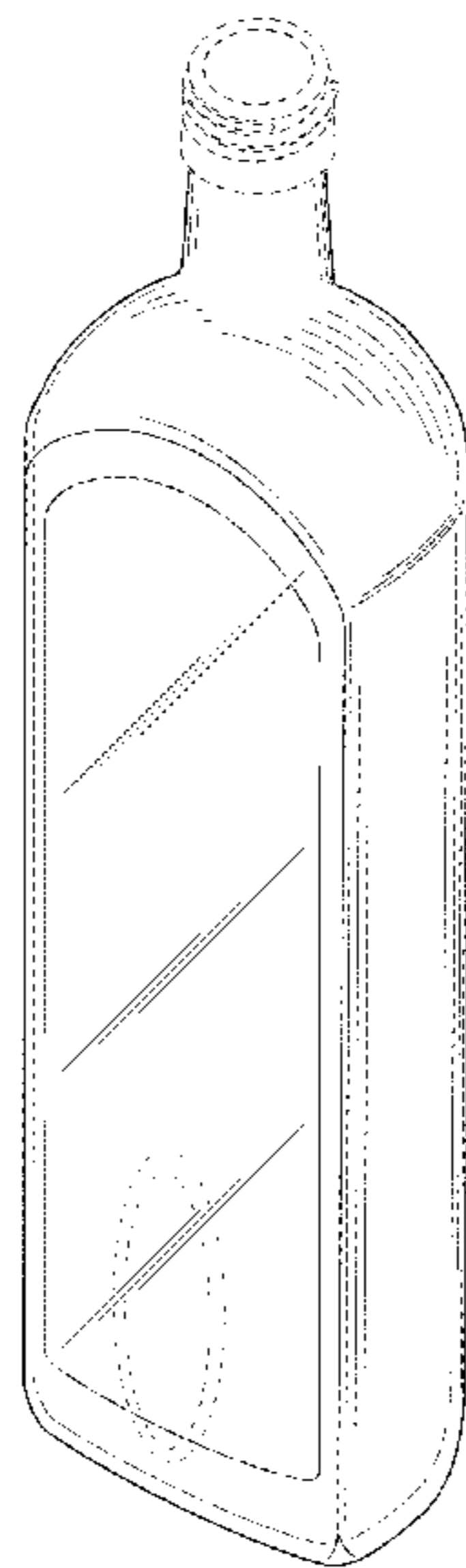
FIG. 4 is a right side elevation view of the asymmetrically-shaped bottle of FIG. 1.

FIG. 5 is a left side elevation view of the asymmetrically-shaped bottle of FIG. 1; and,

FIG. 6 is a top plan view of the asymmetrically-shaped bottle of FIG. 1.

The broken lines shown in the figures are included for the purpose of illustrating portions of the asymmetrically-shaped bottle and form no part of the claimed design.

1 Claim, 5 Drawing Sheets



US D767,400 S

Page 2

(56)

References Cited

FOREIGN PATENT DOCUMENTS

EM	000609227-0001	10/2006
EM	000862388-0001	1/2008
EM	000870811-0001	2/2008
EM	001121883-0001	4/2009

EM	001753591-0001	1/2011
EM	001795345-0001	2/2011
EM	001795345-0002	2/2011
EM	001795345-0003	2/2011
PA	85980	3/2004
PA	85981	3/2004

* cited by examiner

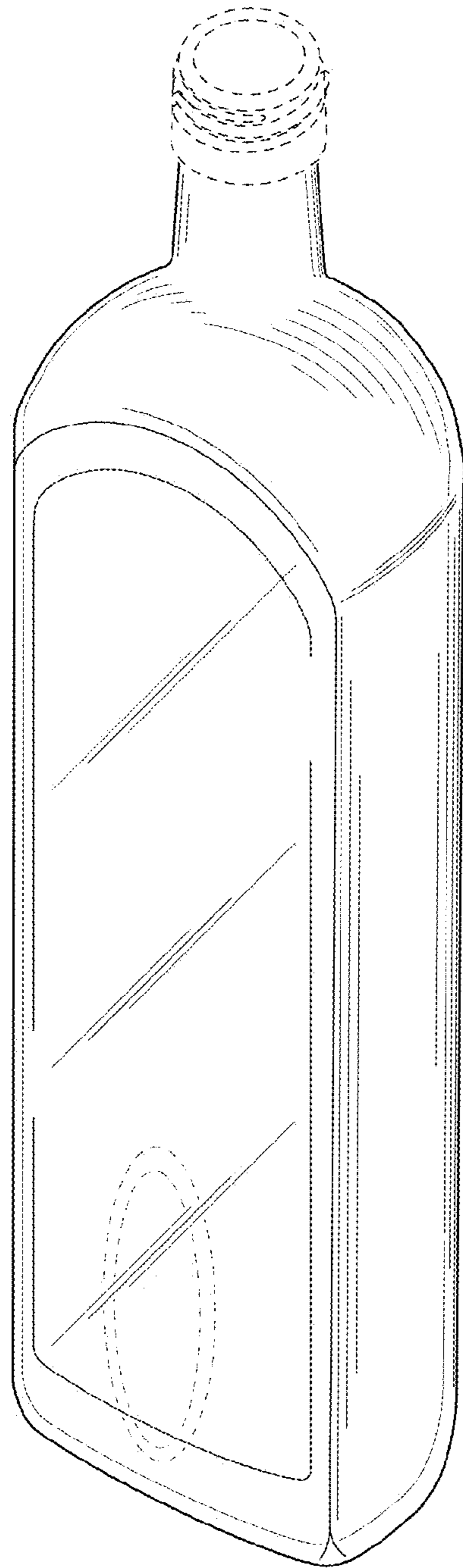


FIG. 1

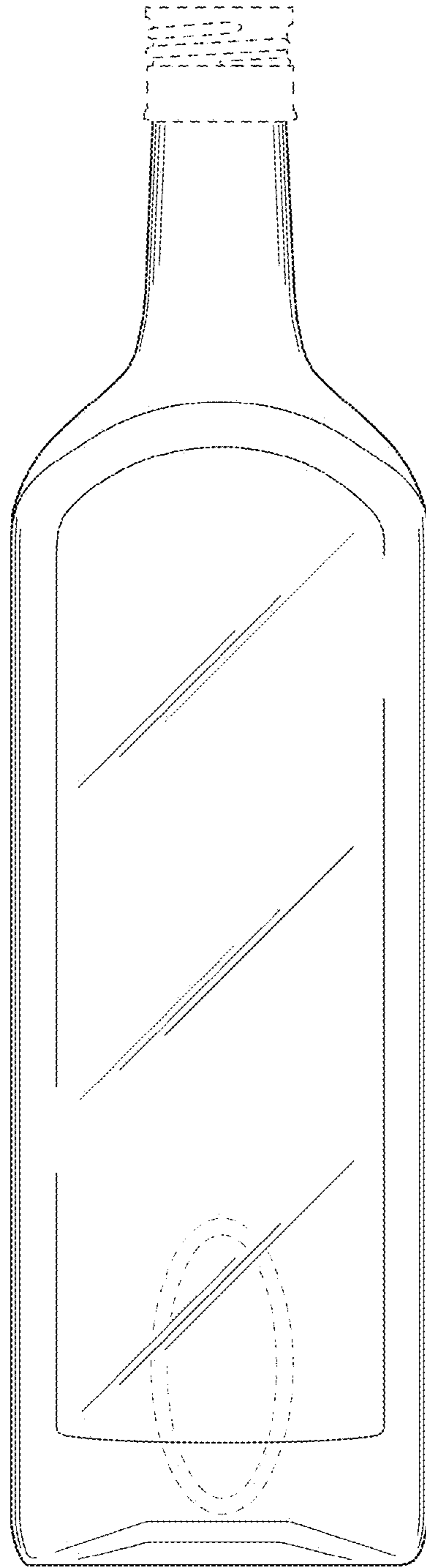


FIG. 2

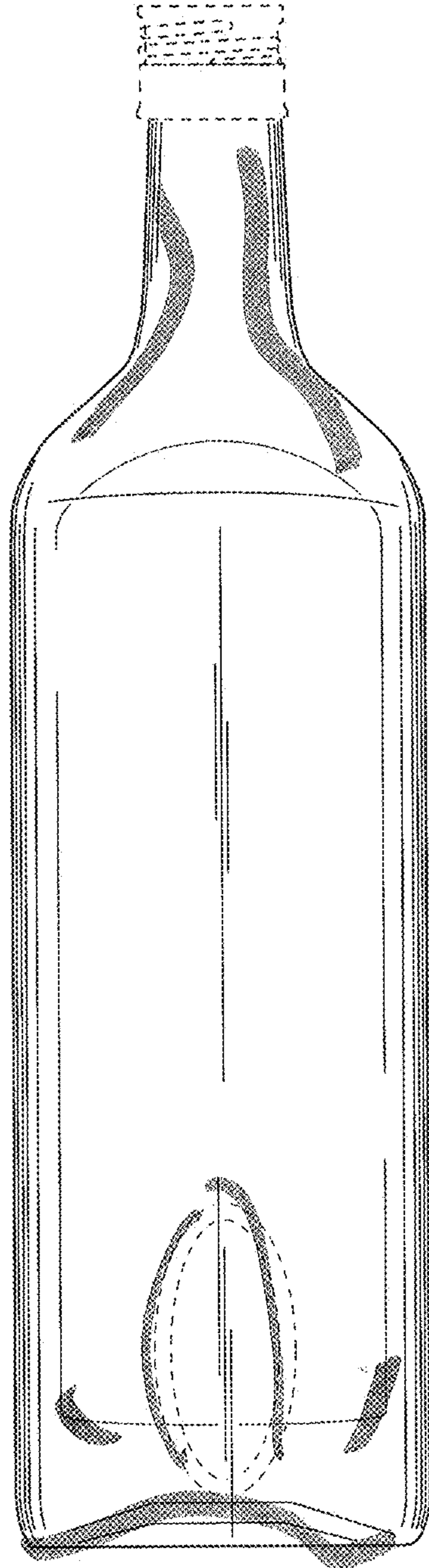


FIG. 3

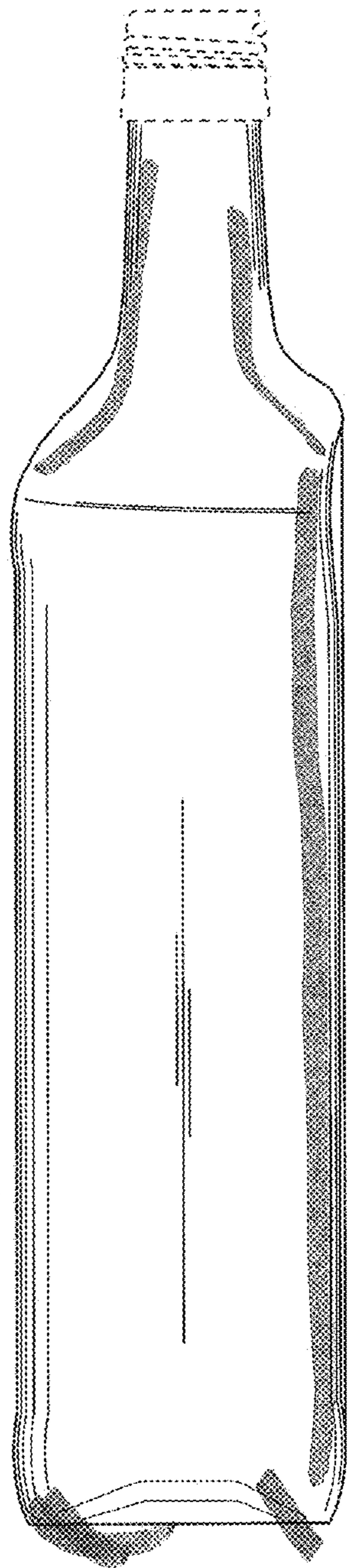


FIG. 4

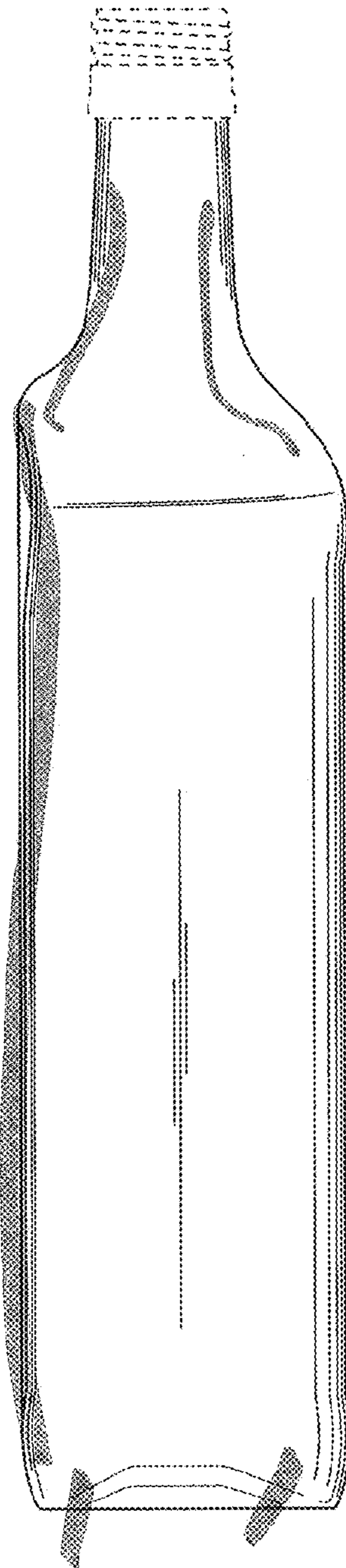


FIG. 5

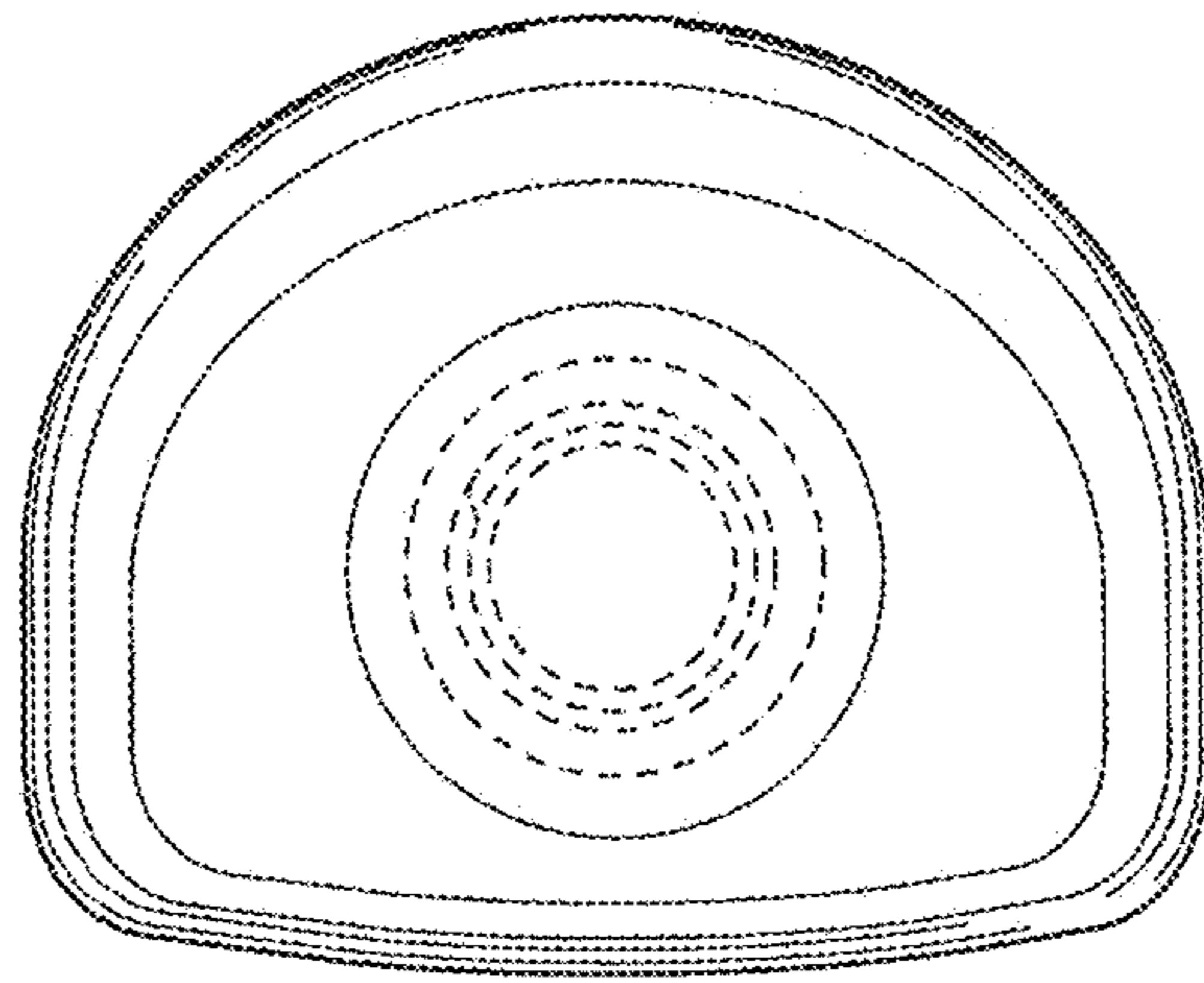


FIG. 6