



US00D767393S

(12) **United States Design Patent**
Giorgis

(10) **Patent No.:** **US D767,393 S**

(45) **Date of Patent:** **** Sep. 27, 2016**

(54) **PRODUCT PACKAGING**

(71) Applicant: **Giorgio Giorgis**, Milan (IT)

(72) Inventor: **Giorgio Giorgis**, Milan (IT)

(**) Term: **15 Years**

(21) Appl. No.: **29/540,979**

(22) Filed: **Sep. 29, 2015**

(51) **LOC (10) Cl.** **09-07**

(52) **U.S. Cl.**

USPC **D9/455**; D9/433

(58) **Field of Classification Search**

USPC D9/415, 433-435, 440, 446-450,
D9/452-457, 499; D7/387, 388, 396.2,
D7/396.4, 396.6, 398, 403, 509, 510, 511;
D3/202, 203.2, 247, 294, 304, 318;
D28/91.1; D8/343, 346, 352, 382, 397,
D8/399

CPC A61J 1/00; A61J 1/1412; B65D 1/00;
B65D 1/02; B65D 1/10; B65D 1/46; B65D
2585/56; B65D 41/00; B65D 41/56; B65D
41/62; B65D 47/06; B65D 47/08; B65D
2543/00046; B65D 2543/00092; B65D
2543/00296

See application file for complete search history.

(56) **References Cited**

U.S. PATENT DOCUMENTS

3,094,259	A *	6/1963	Diehl	A47G 23/065 229/932
3,166,190	A *	1/1965	Conrades	B65D 71/48 206/140
3,604,614	A *	9/1971	Sternfeld	B65D 71/20 206/197
3,815,735	A *	6/1974	Cucuo	B65D 5/50 206/315.9
4,155,502	A *	5/1979	Forte	B65D 71/48 206/194
4,196,807	A *	4/1980	Brom	B65D 71/0007 206/197
5,201,412	A *	4/1993	Schuster	B65D 71/44 206/153
5,624,024	A *	4/1997	Miess	B65D 71/004 206/172
5,667,070	A *	9/1997	Miret	B65D 71/48 206/153

7,163,103	B2 *	1/2007	Bakx	B65D 71/42 206/151
8,091,702	B1 *	1/2012	Keip	A47G 23/0208 206/171
8,631,932	B2 *	1/2014	Holley, Jr.	B65D 71/42 206/153
D709,375	S *	7/2014	Smith	D9/455
9,382,039	B2 *	7/2016	Foley	B65D 21/0219
2005/0211578	A1 *	9/2005	Libit	B65D 71/48 206/200
2008/0087558	A1 *	4/2008	Libit	B65D 71/0074 206/196
2010/0059392	A1 *	3/2010	Weinberger	B65D 71/30 206/151
2010/0096397	A1 *	4/2010	Weinberger	B65D 71/16 220/738
2011/0272299	A1 *	11/2011	Smith	B65D 71/48 206/175
2013/0284616	A1 *	10/2013	Anderson	B31B 3/14 206/193

* cited by examiner

Primary Examiner — Karen S Acker

Assistant Examiner — Wendy Arminio

(74) *Attorney, Agent, or Firm* — Pierson IP, PLLC

(57) **CLAIM**

The ornamental design for product packaging, as shown and described.

DESCRIPTION

FIG. 1 is a top view of a product packaging showing our new design thereof;

FIG. 2 is a rear view of the product packaging shown in FIG. 1;

FIG. 3 is a first side view of the product packaging shown in FIG. 1;

FIG. 4 is a second side view of the product packaging shown in FIG. 1;

FIG. 5 is a front view of the product packaging shown in FIG. 1;

FIG. 6 is a back view of the product packaging shown in FIG. 1;

FIG. 7 is a perspective view of the product packaging shown in FIG. 1 in an assembled configuration for use; and,

FIG. 8 is a perspective view of the product packaging shown in FIG. 1 in a position of use with two containers drawn in broken line that depict environmental structure.

The environmental structure shown in broken lines in FIG. 8 forms no part of the claimed design.

1 Claim, 6 Drawing Sheets

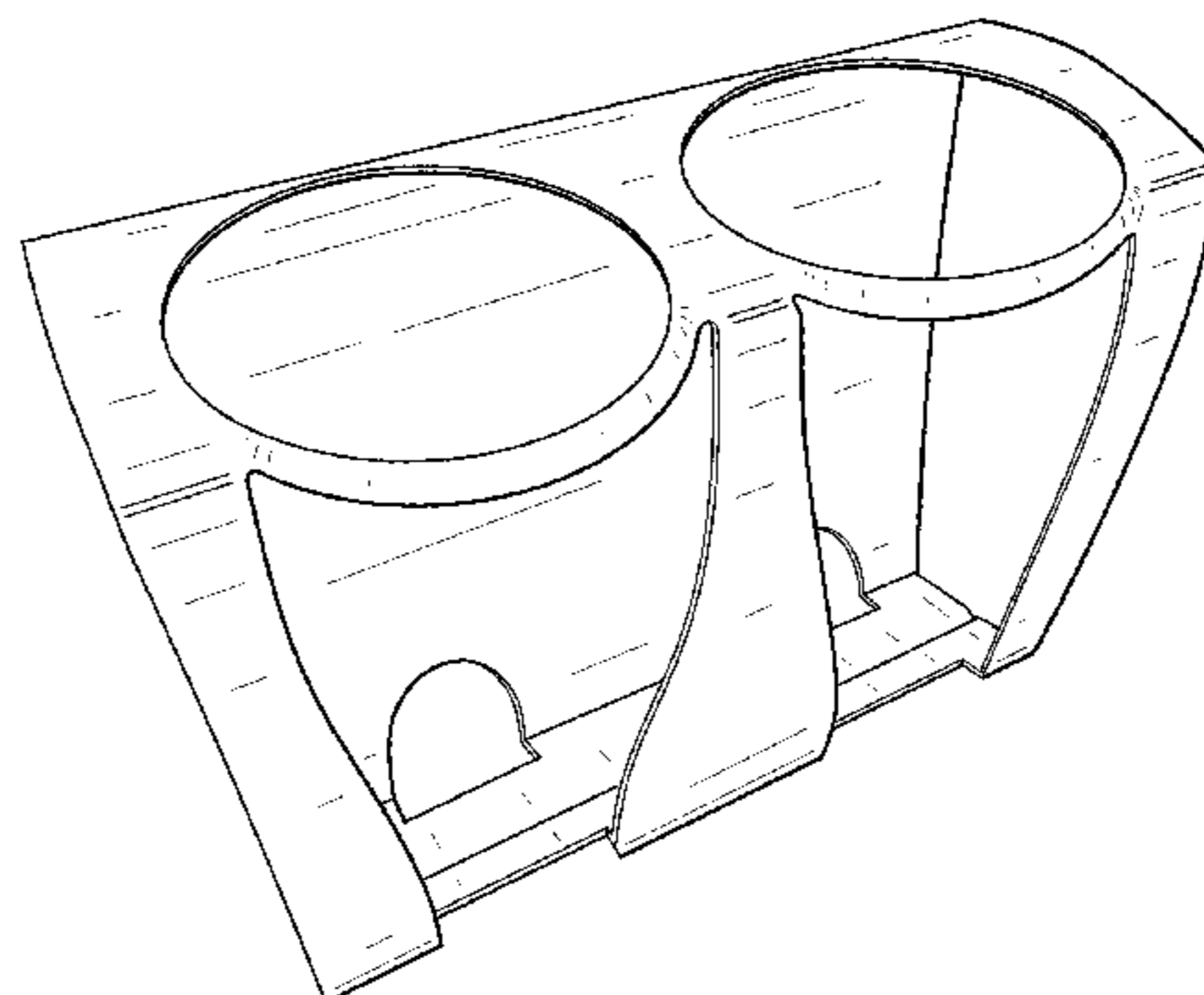
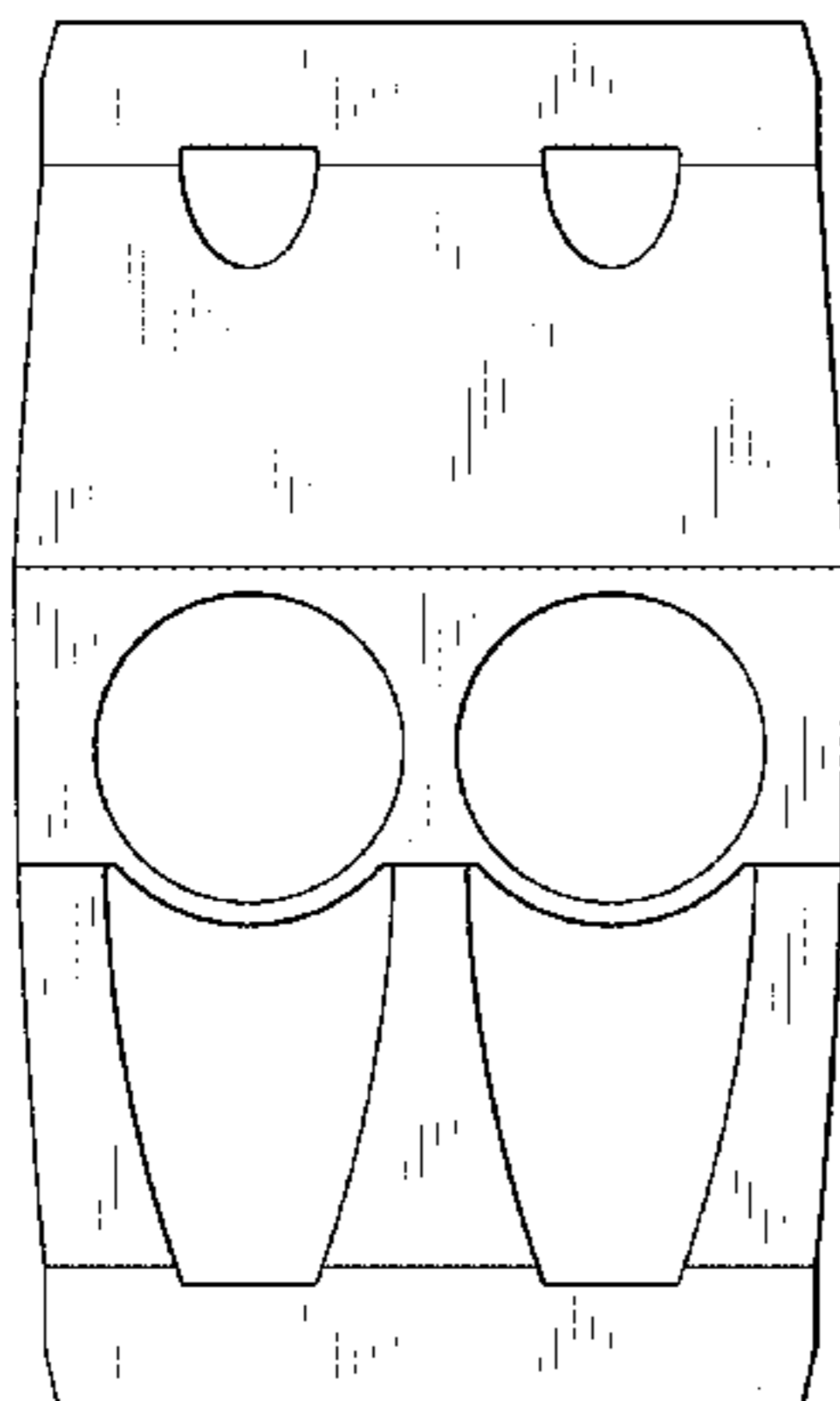


FIG. 1

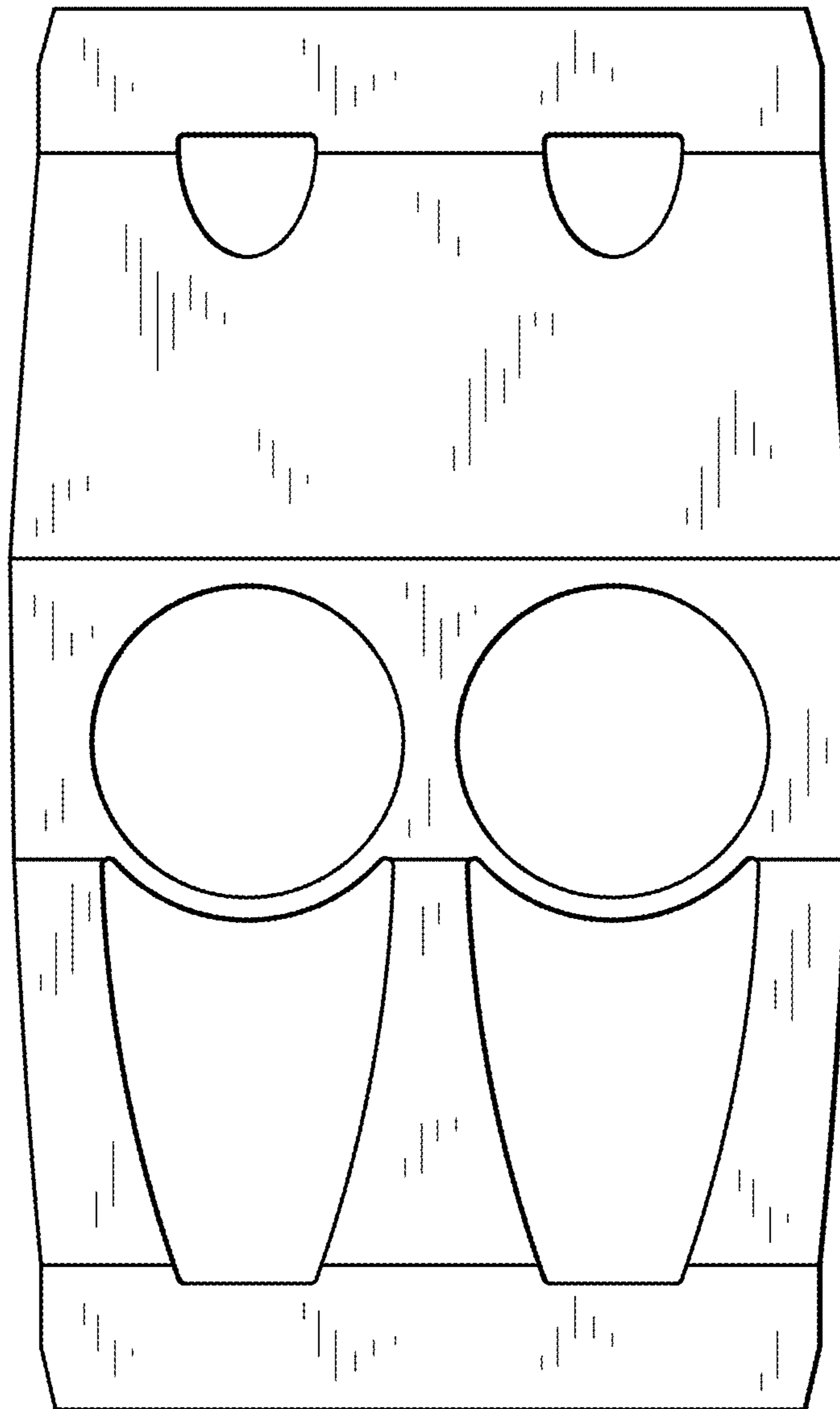


FIG. 2

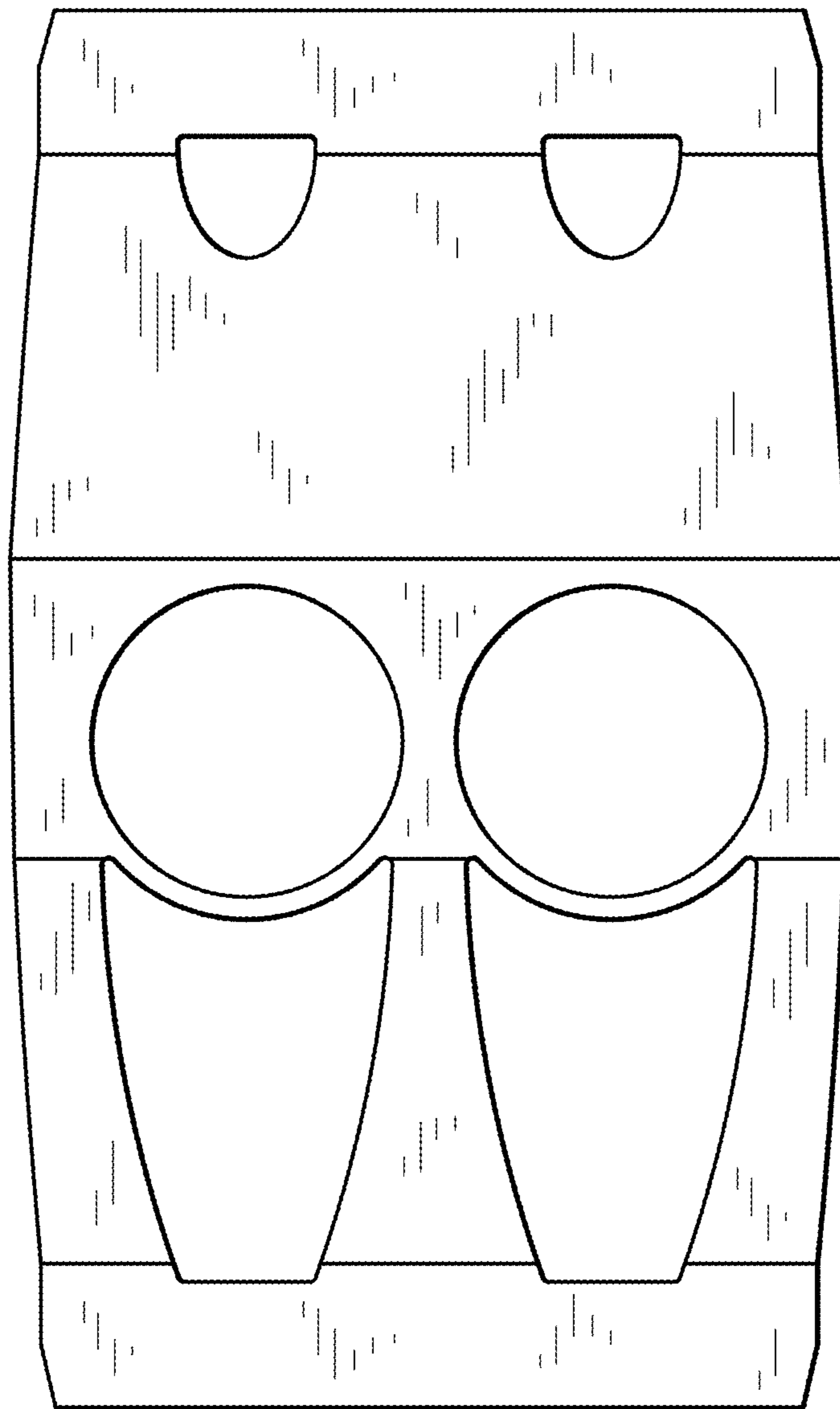


FIG. 3



FIG. 4



FIG. 5



FIG. 6



FIG. 7

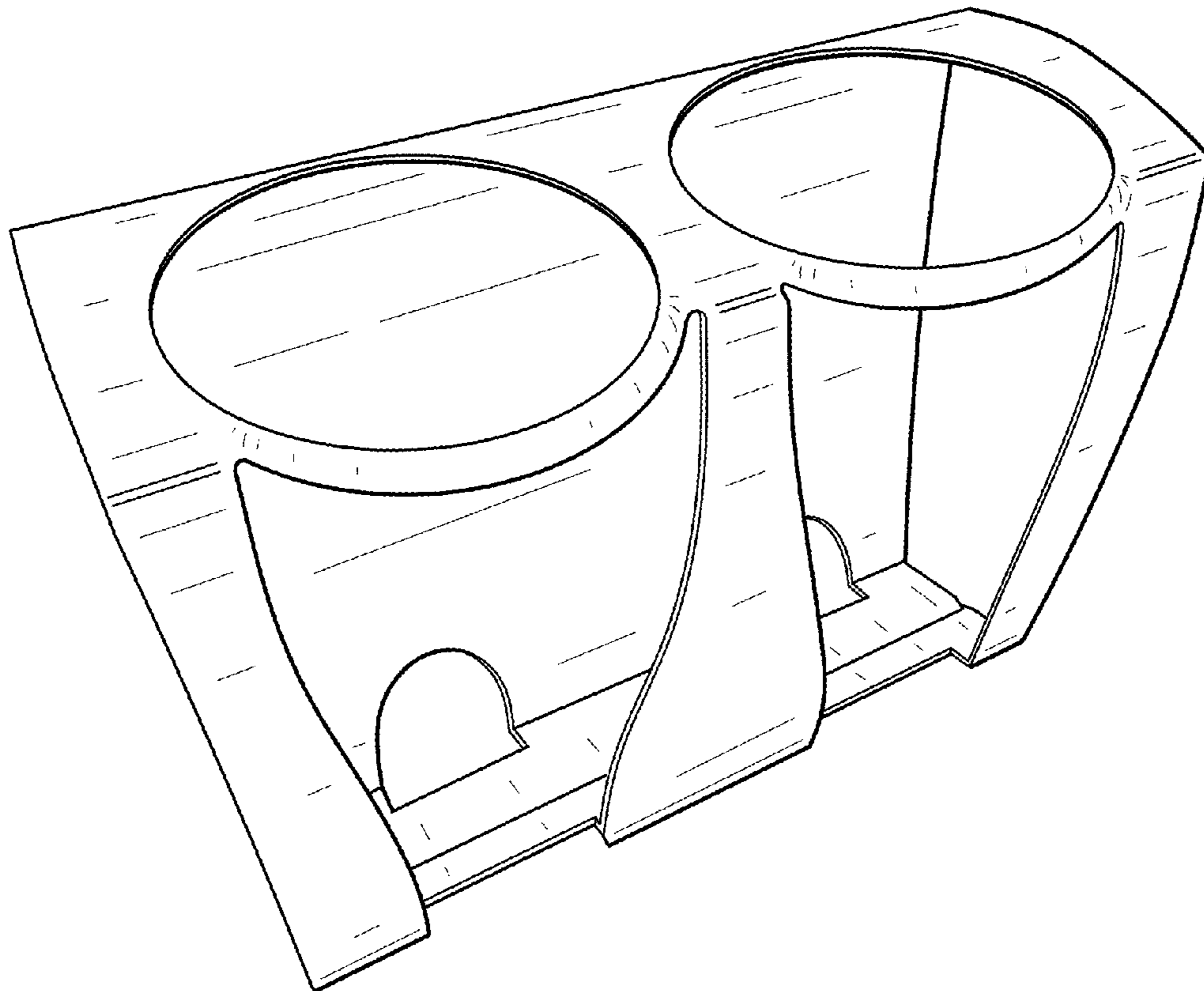


FIG. 8

