



US00D767392S

(12) **United States Design Patent**
Landrum et al.

(10) **Patent No.:** **US D767,392 S**

(45) **Date of Patent:** **** Sep. 27, 2016**

(54) **PUMP CLOSURE**

(71) Applicant: **The Procter & Gamble Company**,
Cincinnati, OH (US)

(72) Inventors: **Benjamin Patrick Landrum**,
Cincinnati, OH (US); **Graham Clive Hufton**,
Manhattan, NY (US); **Shaun Shang-Yun Chan**,
Montgomery, OH (US); **Lindsey Christine Barker**,
Sunderhaus, Hamilton, OH (US)

(73) Assignee: **The Procter & Gamble Company**,
Cincinnati, OH (US)

(**) Term: **14 Years**

(21) Appl. No.: **29/482,785**

(22) Filed: **Feb. 21, 2014**

(51) **LOC (10) Cl.** **09-07**

(52) **U.S. Cl.**
USPC **D9/448**

(58) **Field of Classification Search**
USPC D9/434, 435, 436, 448, 499; 215/379,
215/382, 383, 384; 220/669-675;
222/153.1-153.14, 210, 211, 389, 398
CPC B65D 2502/0081; B65D 1/0223;
B65D 83/0032
See application file for complete search history.

(56) **References Cited**

U.S. PATENT DOCUMENTS

D389,059 S * 1/1998 Mascitelli D9/448
D398,529 S * 9/1998 Mascitelli D9/448
D507,486 S * 7/2005 Wang D9/448
D536,973 S * 2/2007 van der Heijden et al. .. D6/542

D588,006 S * 3/2009 Boes et al. D9/448
D636,262 S * 4/2011 Michitsuji et al. D9/448
D645,745 S * 9/2011 Driskell et al. D9/445
D678,064 S * 3/2013 Arminak D9/448
D709,762 S * 7/2014 Kuo D9/448

* cited by examiner

Primary Examiner — Robert M Spear

(74) *Attorney, Agent, or Firm* — Linda M. Sivik

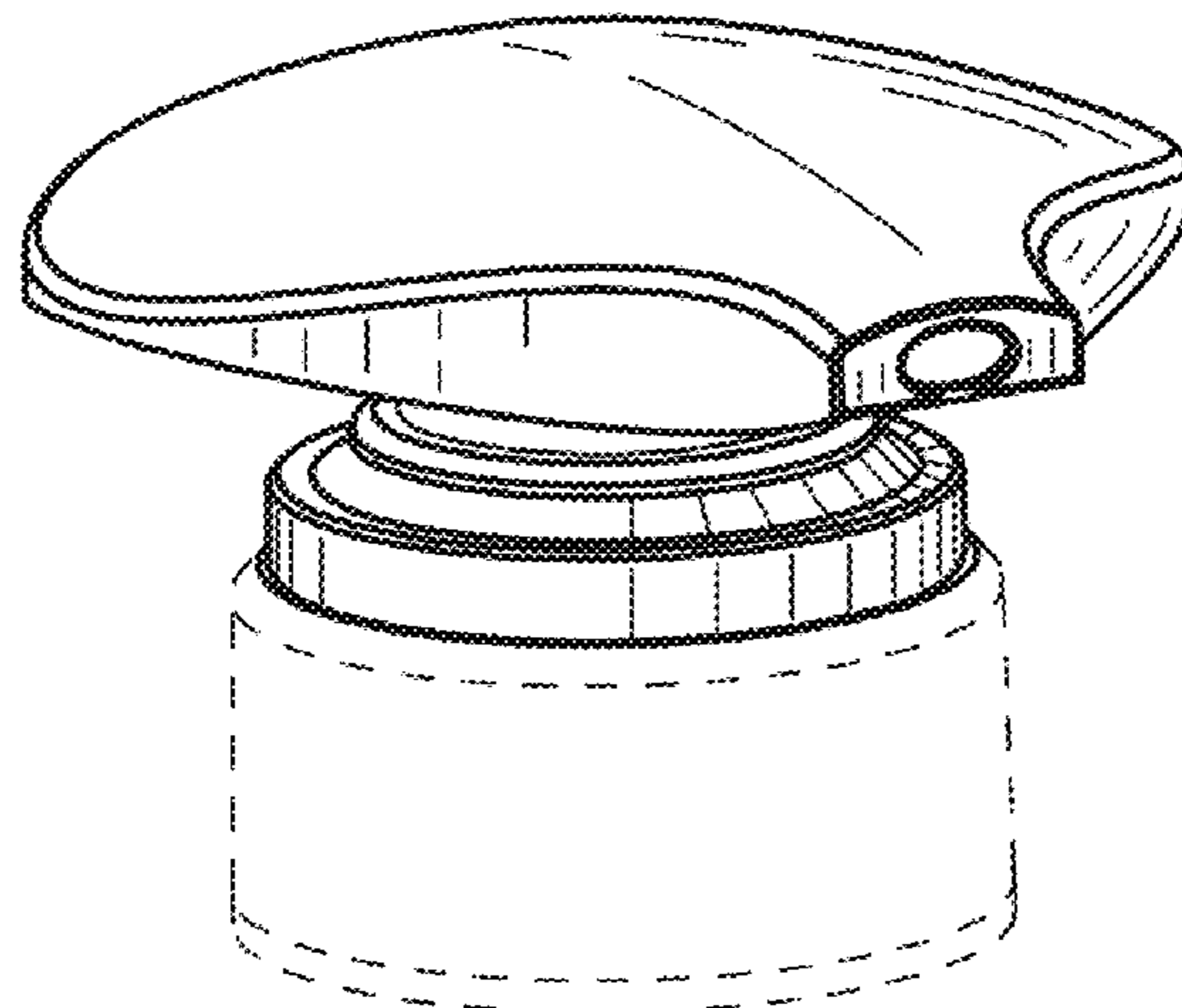
(57) **CLAIM**

The ornamental design for a pump closure, as shown and described.

DESCRIPTION

FIG. 1 is a perspective view of a pump closure, embodying our new design;
FIG. 2 is a front view of the pump closure of FIG. 1;
FIG. 3 is a back view of the pump closure of FIG. 1;
FIG. 4 is a top view of the pump closure of FIG. 1;
FIG. 5 is a bottom view of the pump closure of FIG. 1;
FIG. 6 is a first side view of the pump closure of FIG. 1; and,
FIG. 7 is a second side view of the pump closure of FIG. 1.
The broken lines shown in the drawings depict environmental subject matter only and form no part of the claimed design.

1 Claim, 1 Drawing Sheet



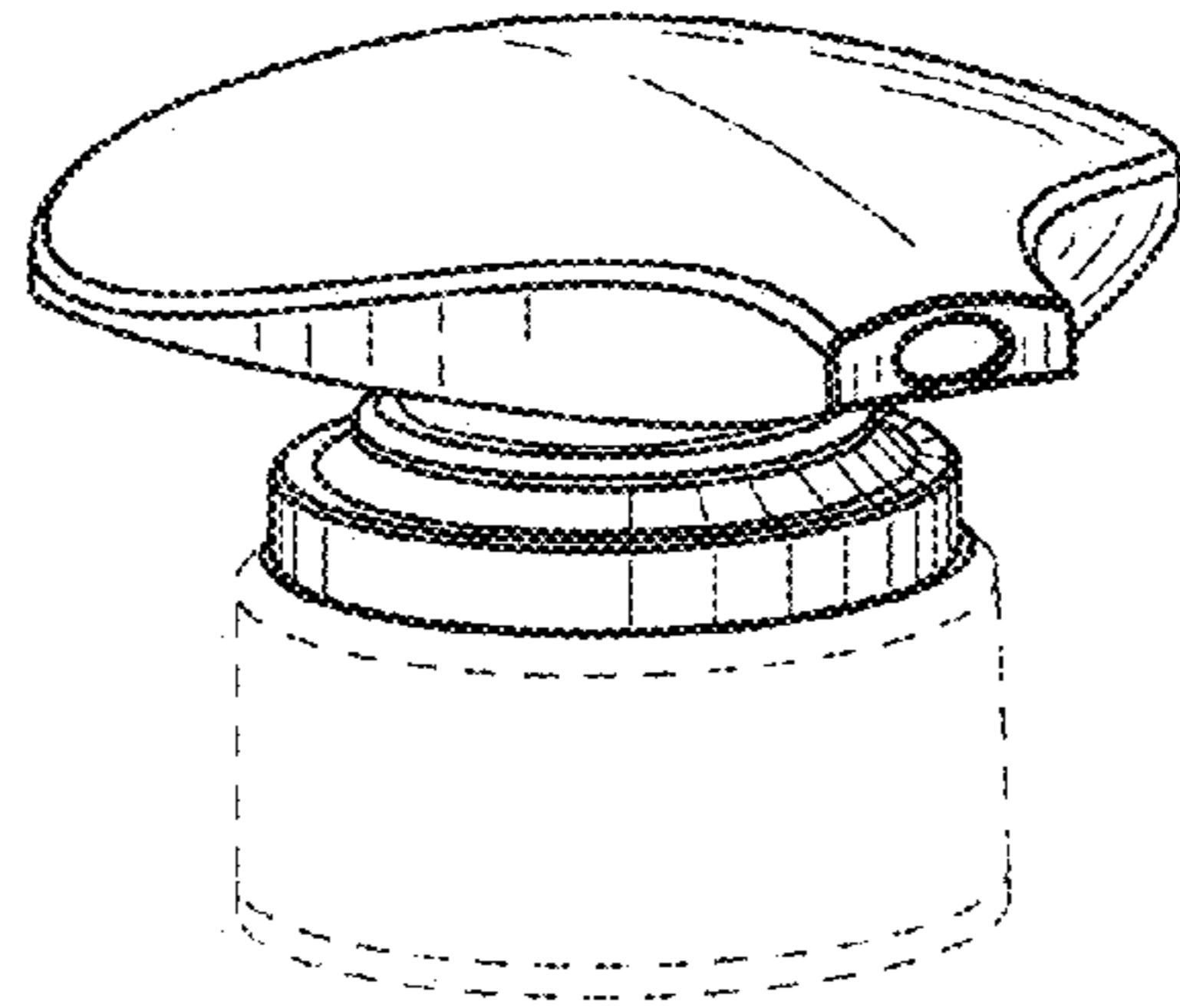


Fig. 1

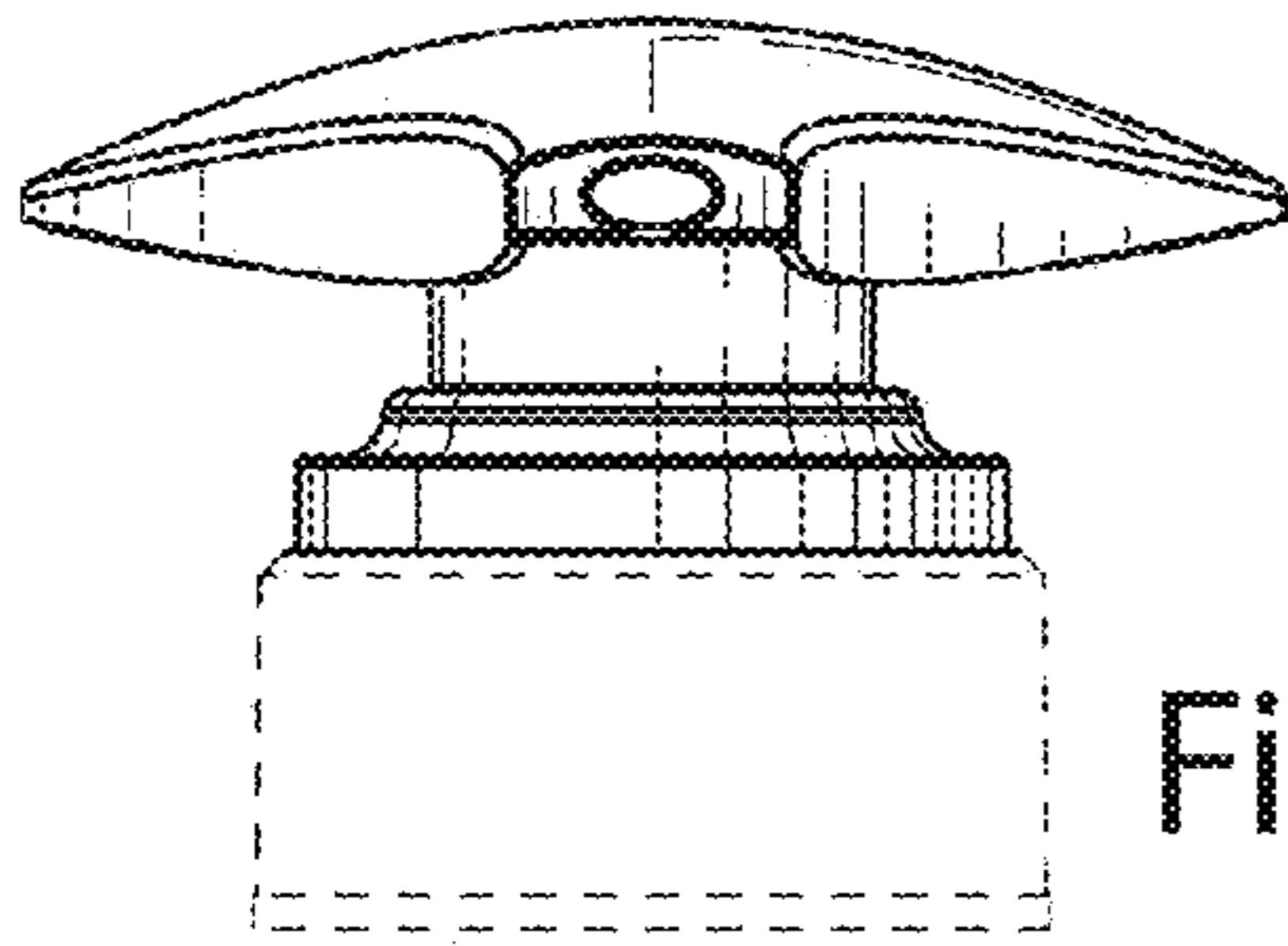


Fig. 2

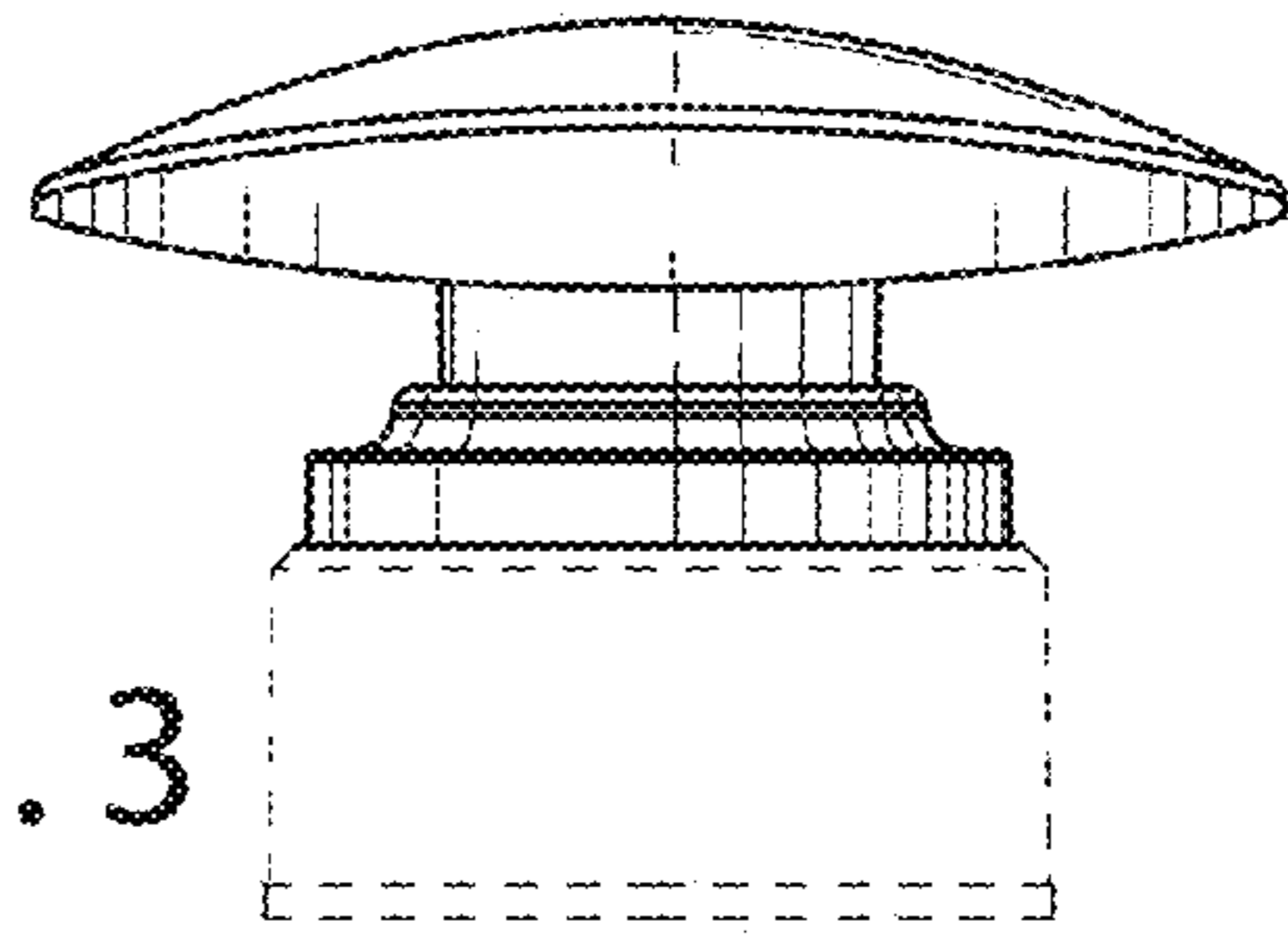


Fig. 3

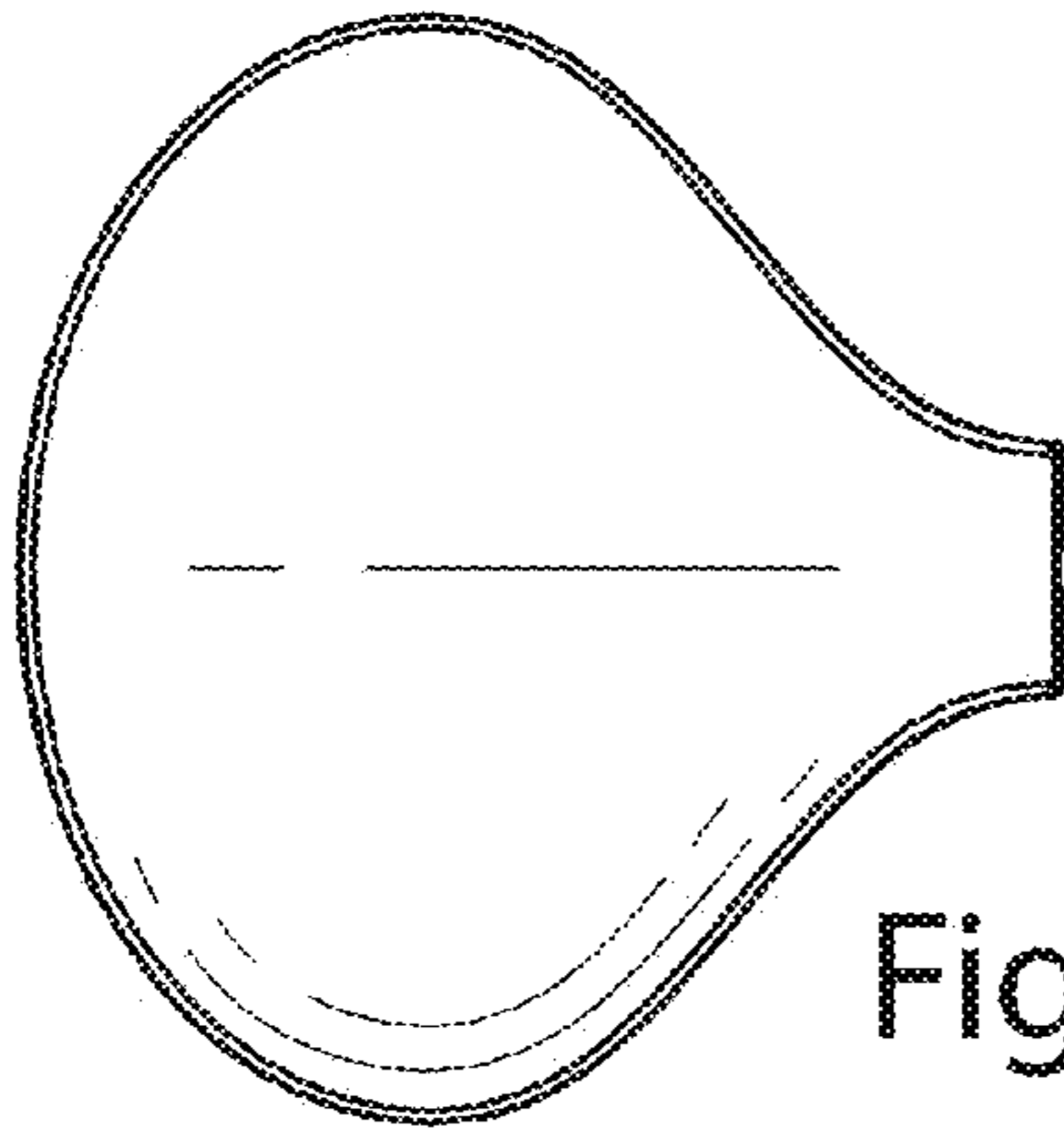


Fig. 4

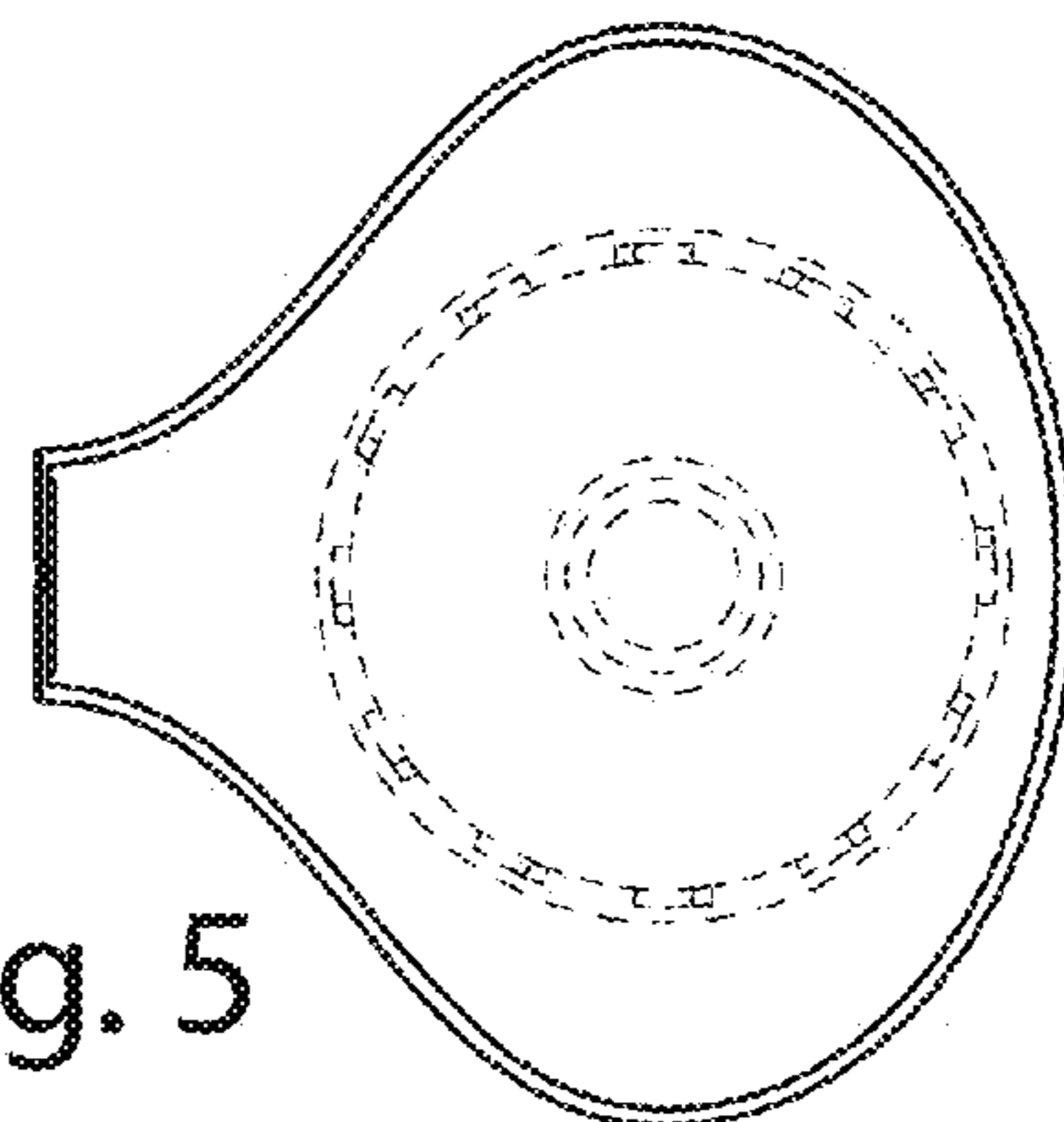


Fig. 5

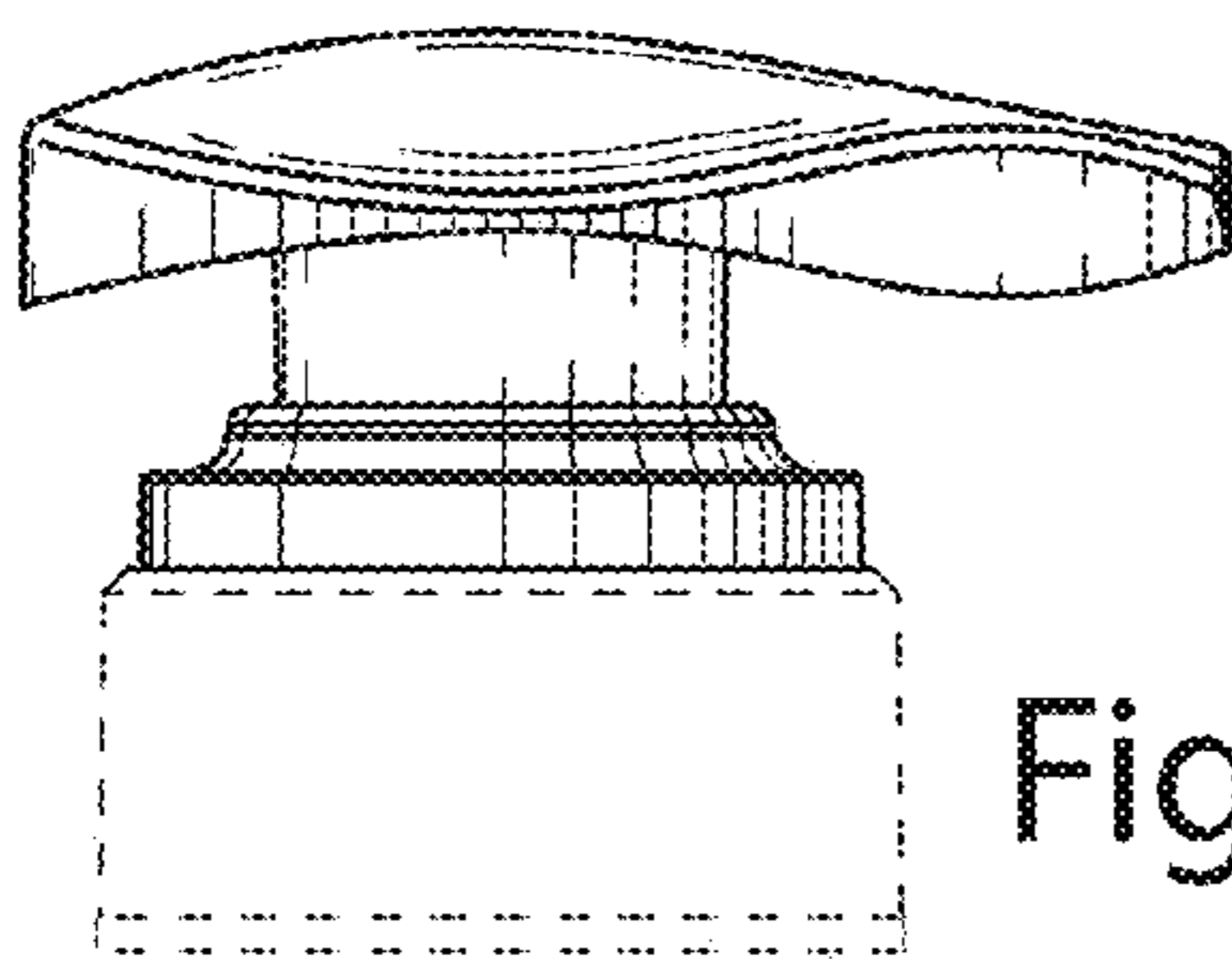


Fig. 6

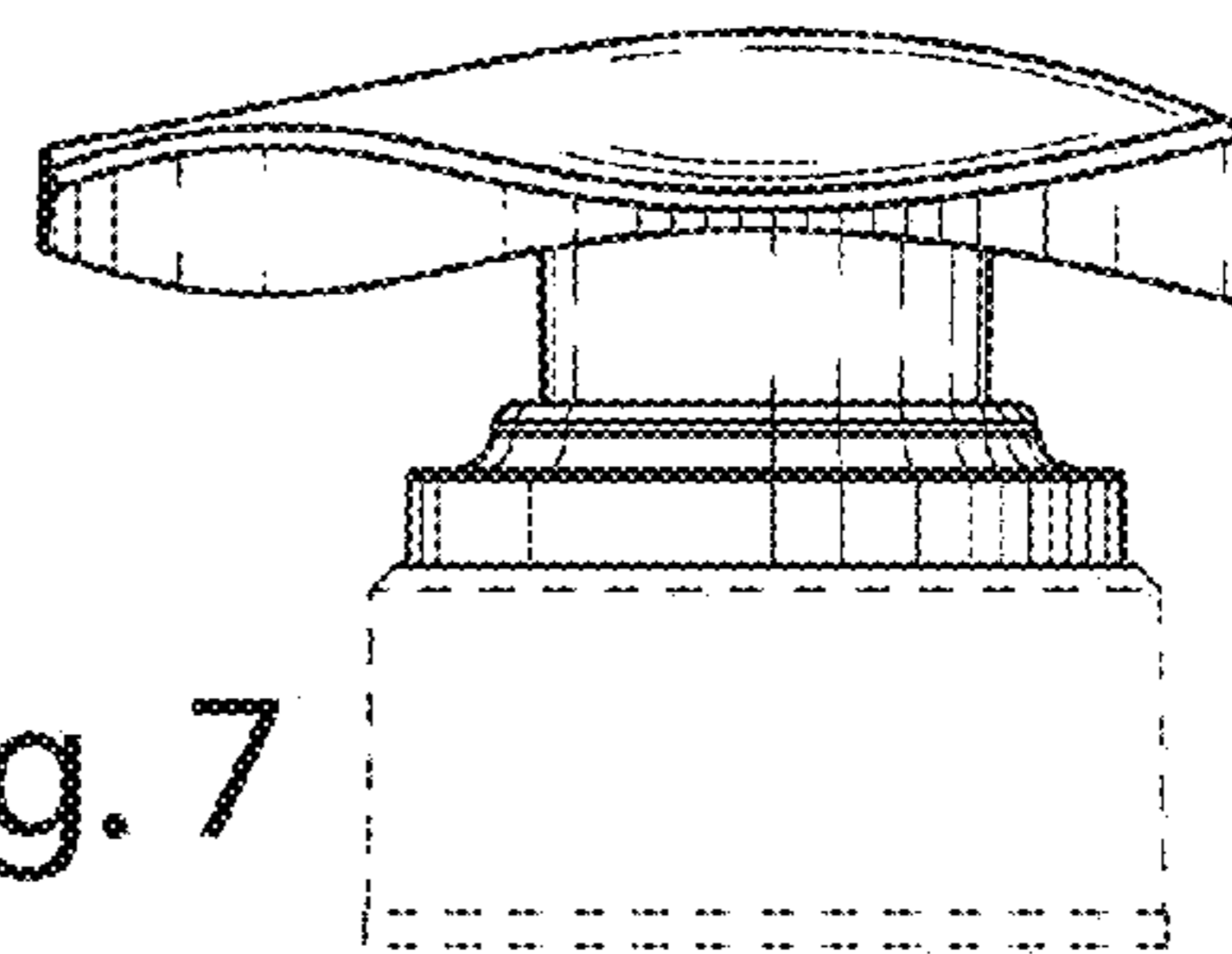


Fig. 7