



US00D767391S

(12) **United States Design Patent** (10) **Patent No.:** **US D767,391 S**  
**Buck** (45) **Date of Patent:** **\*\* Sep. 27, 2016**

(54) **BEVERAGE CONTAINER LID**  
(71) Applicant: **Ronald Mark Buck**, Encinitas, CA (US)  
(72) Inventor: **Ronald Mark Buck**, Encinitas, CA (US)  
(73) Assignee: **SNACKTOPS, INC.**, Carlsbad, CA (US)  
(\*\*) Term: **15 Years**  
(21) Appl. No.: **29/542,038**  
(22) Filed: **Oct. 9, 2015**  
(51) **LOC (10) Cl.** ..... **09-07**  
(52) **U.S. Cl.**  
USPC ..... **D9/447**  
(58) **Field of Classification Search**  
USPC ..... D9/415, 434, 435, 440, 446-450, 452, D9/453, 454, 455-457, 499; D7/387, 388, D7/396.2, 396.4, 396.6, 398, 403, 509, D7/510, 511; D3/202, 203.2, 247, 294, D3/304, 318; D28/91.1; D8/343, 346, 352, D8/382, 397, 399  
CPC ..... A61J 1/00; B65D 1/00; B65D 1/02; B65D 1/10; B65D 1/46; B65D 2585/56; B65D 41/00; B65D 41/56; B65D 41/62; B65D 47/06; B65D 47/08; B65D 2543/00046; B65D 2543/00092; B65D 2543/00296  
See application file for complete search history.

(56) **References Cited**  
U.S. PATENT DOCUMENTS  
RE28,720 E \* 2/1976 Sedlak ..... A47G 19/26 206/501  
D381,268 S \* 7/1997 Rush ..... D9/452  
5,971,195 A \* 10/1999 Reidinger ..... B65D 51/28 215/227  
7,100,790 B2 \* 9/2006 Dark ..... A47G 19/2272 220/711  
D569,175 S \* 5/2008 Mansfield ..... D7/387  
D595,537 S \* 7/2009 Mansfield ..... 206/219  
D643,285 S \* 8/2011 Zomorodi ..... D9/429

D648,629 S \* 11/2011 Zomorodi ..... D9/452  
D695,612 S \* 12/2013 Chou ..... D9/447  
D703,044 S \* 4/2014 Chou ..... D9/435  
8,701,914 B1 \* 4/2014 Buck ..... B65D 3/22 220/23.87  
D710,696 S \* 8/2014 Kwon ..... D7/392.1  
8,939,312 B1 \* 1/2015 Buck ..... A47G 19/065 220/212  
D761,104 S \* 7/2016 Buck ..... D9/447

(Continued)

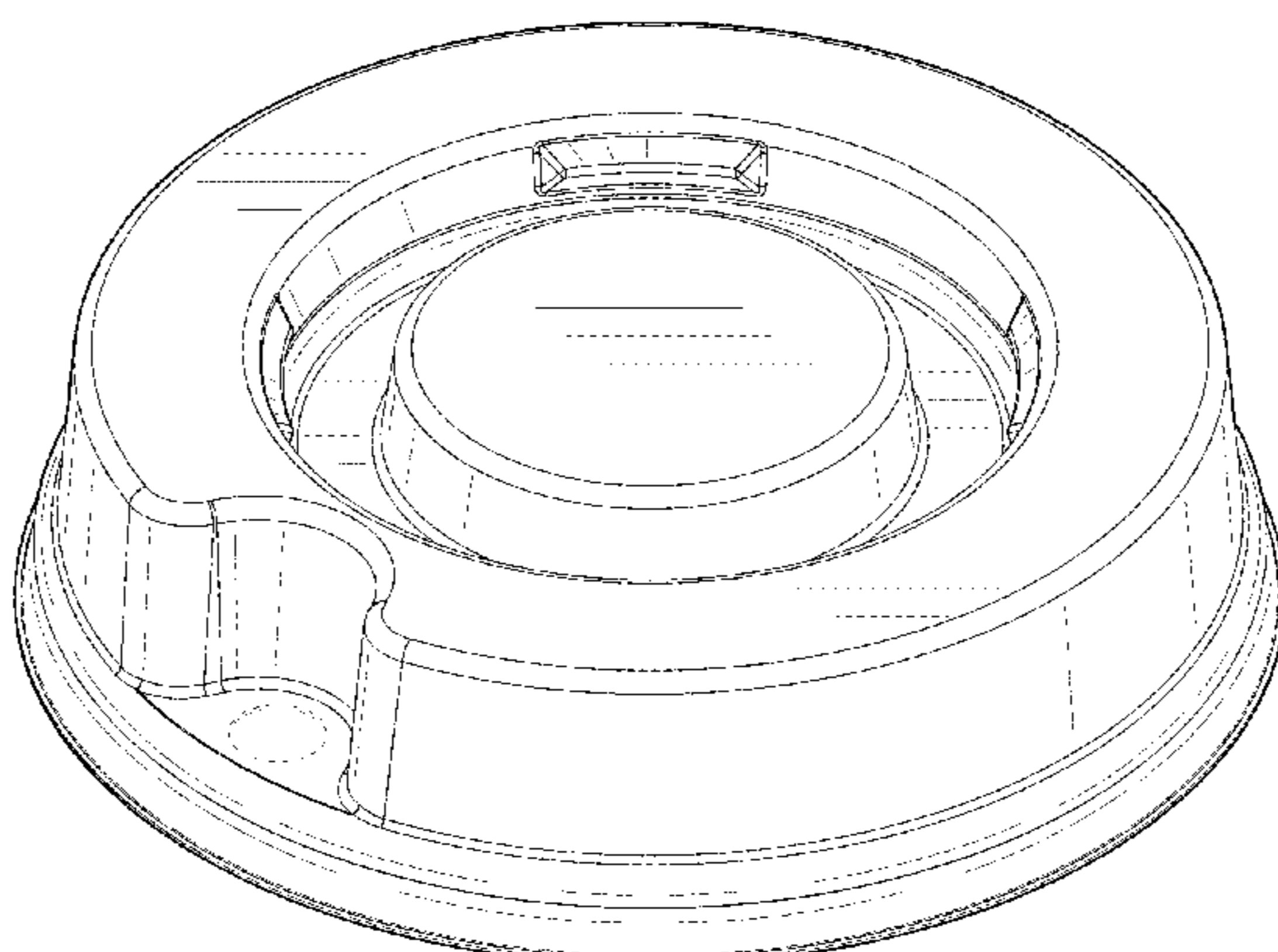
*Primary Examiner* — Karen S Acker  
*Assistant Examiner* — Wendy Arminio  
(74) *Attorney, Agent, or Firm* — Manuel de la Cerra

(57) **CLAIM**  
The ornamental design for a beverage container lid, as shown and described.

**DESCRIPTION**

FIG. 1 is a top perspective view of a first embodiment of a beverage container lid.  
FIG. 2 is a bottom perspective view thereof.  
FIG. 3 is a top perspective view of a second embodiment of a beverage container lid made from transparent material.  
FIG. 4 is a bottom perspective view thereof.  
FIG. 5 is a top perspective view of the design of FIG. 1 shown in a position of use attached to a beverage container and to a food container.  
FIG. 6 is a bottom perspective view thereof shown in a position of use attached to a beverage container and to a food container.  
FIG. 7 is an exploded top perspective view thereof shown detached from a beverage container and a food container.  
FIG. 8 is an exploded bottom perspective view thereof shown detached from a beverage container and a food container.  
FIG. 9 is a front view thereof.  
FIG. 10 is a rear view thereof.  
FIG. 11 is a top view thereof.  
FIG. 12 is a bottom view thereof; and,  
FIG. 13 is a left side view thereof (right-side is a mirror image).  
The broken lines depict portions of the beverage container lid that form no part of the claimed design. The beverage container, food container, and straw shown in broken lines in FIGS. 5-8 illustrate environment and form no part of the claimed design.

**1 Claim, 10 Drawing Sheets**



(56)

**References Cited**

U.S. PATENT DOCUMENTS

D761,649 S \* 7/2016 Buck ..... D9/447  
2005/0224503 A1\* 10/2005 Dantani ..... B65D 43/0212  
220/711  
2010/0140267 A1\* 6/2010 Sellari ..... B65D 43/0241  
220/270  
2011/0284537 A1\* 11/2011 Cerasani ..... B65D 1/34  
220/212  
2013/0313257 A1\* 11/2013 Gartz ..... B65D 43/0206  
220/262

2015/0144628 A1\* 5/2015 Piper ..... B29D 99/0096  
220/212  
2015/0251818 A1\* 9/2015 Strachan ..... B65D 43/0208  
220/254.8  
2016/0051071 A1\* 2/2016 Buck ..... A47G 21/187  
239/33  
2016/0114947 A1\* 4/2016 Buck ..... A47G 19/2205  
220/713  
2016/0150899 A1\* 6/2016 Onza ..... A47G 19/2272  
220/253

\* cited by examiner

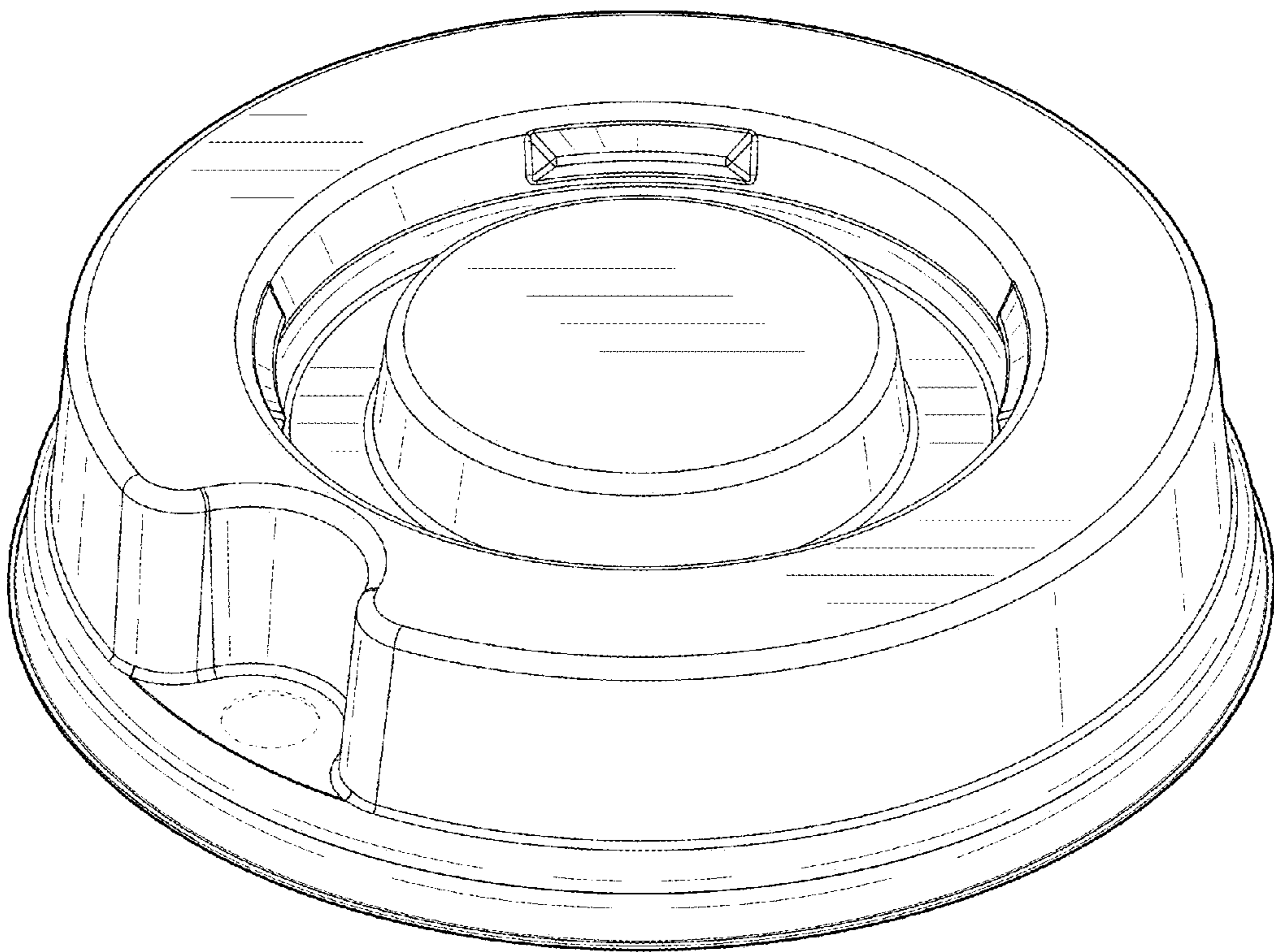


FIG. 1

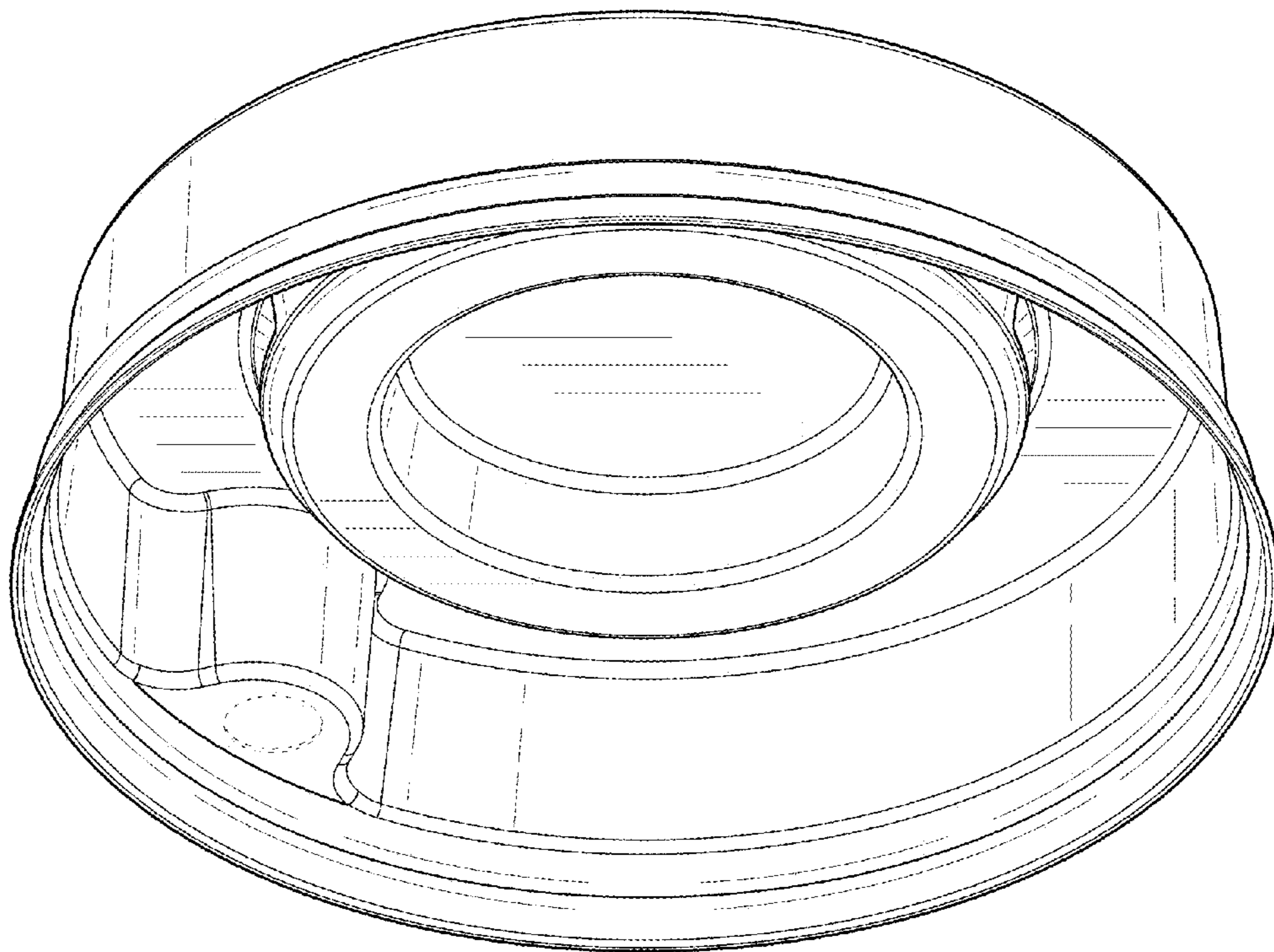


FIG. 2



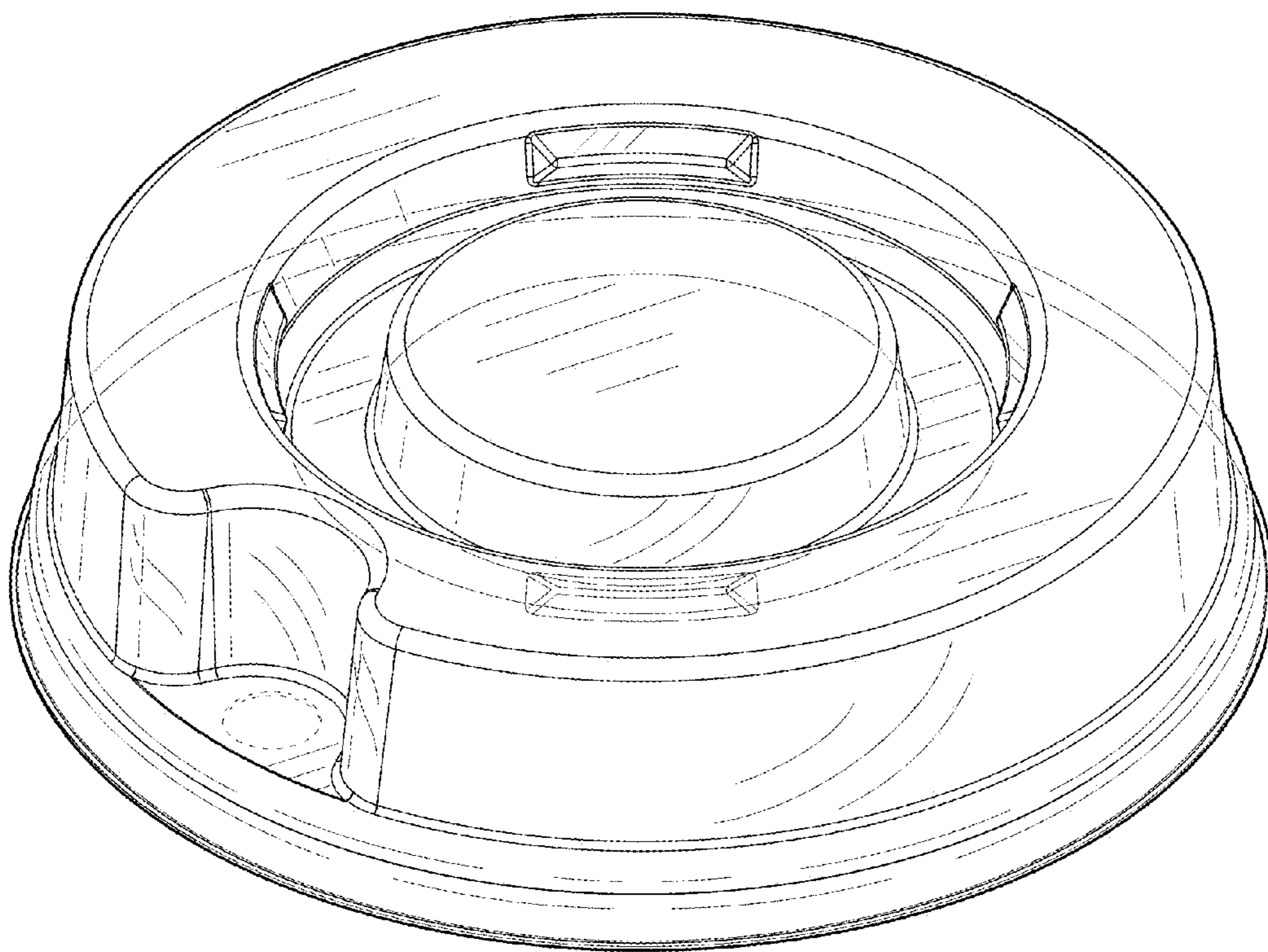


FIG. 3

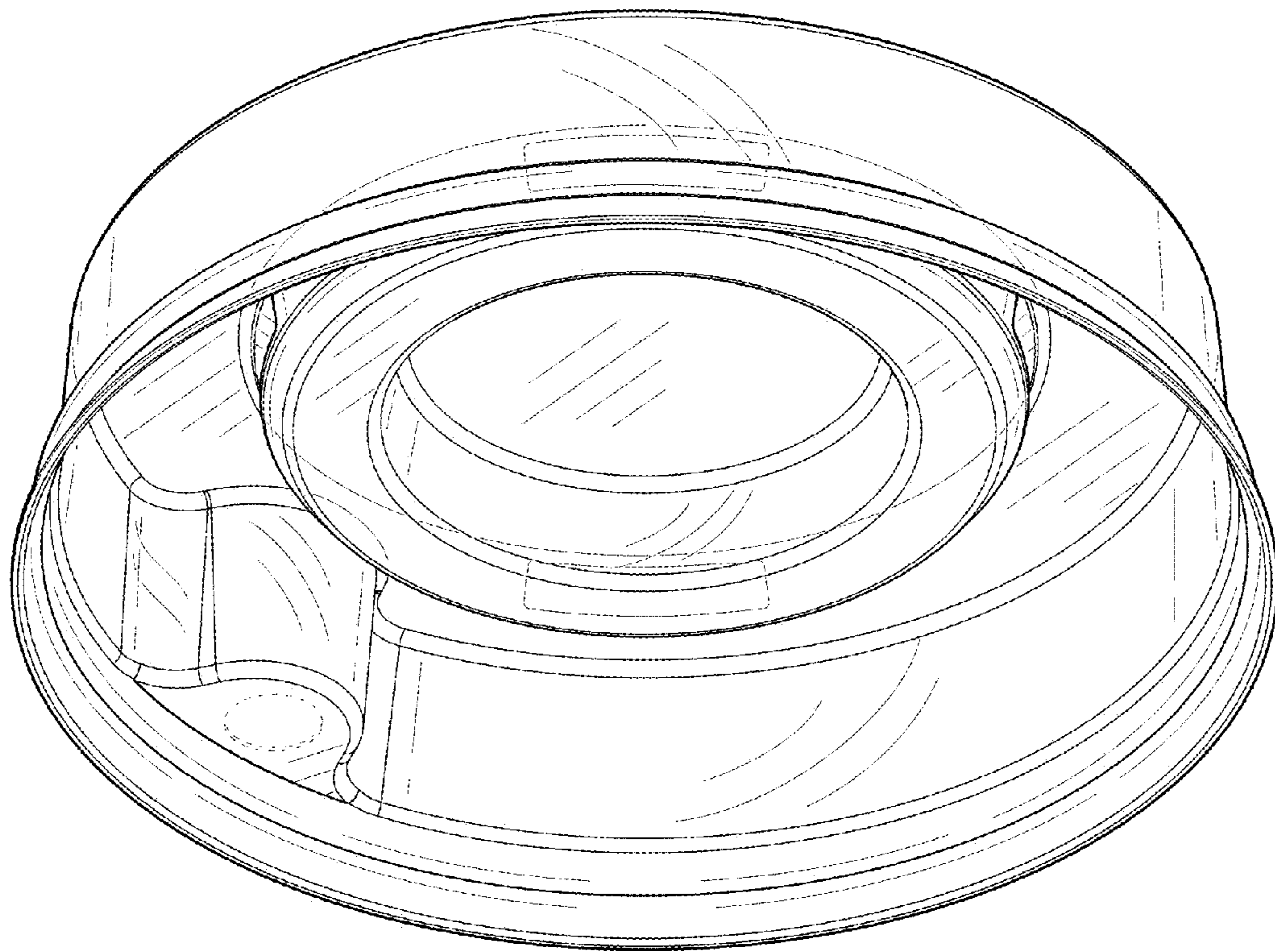


FIG. 4

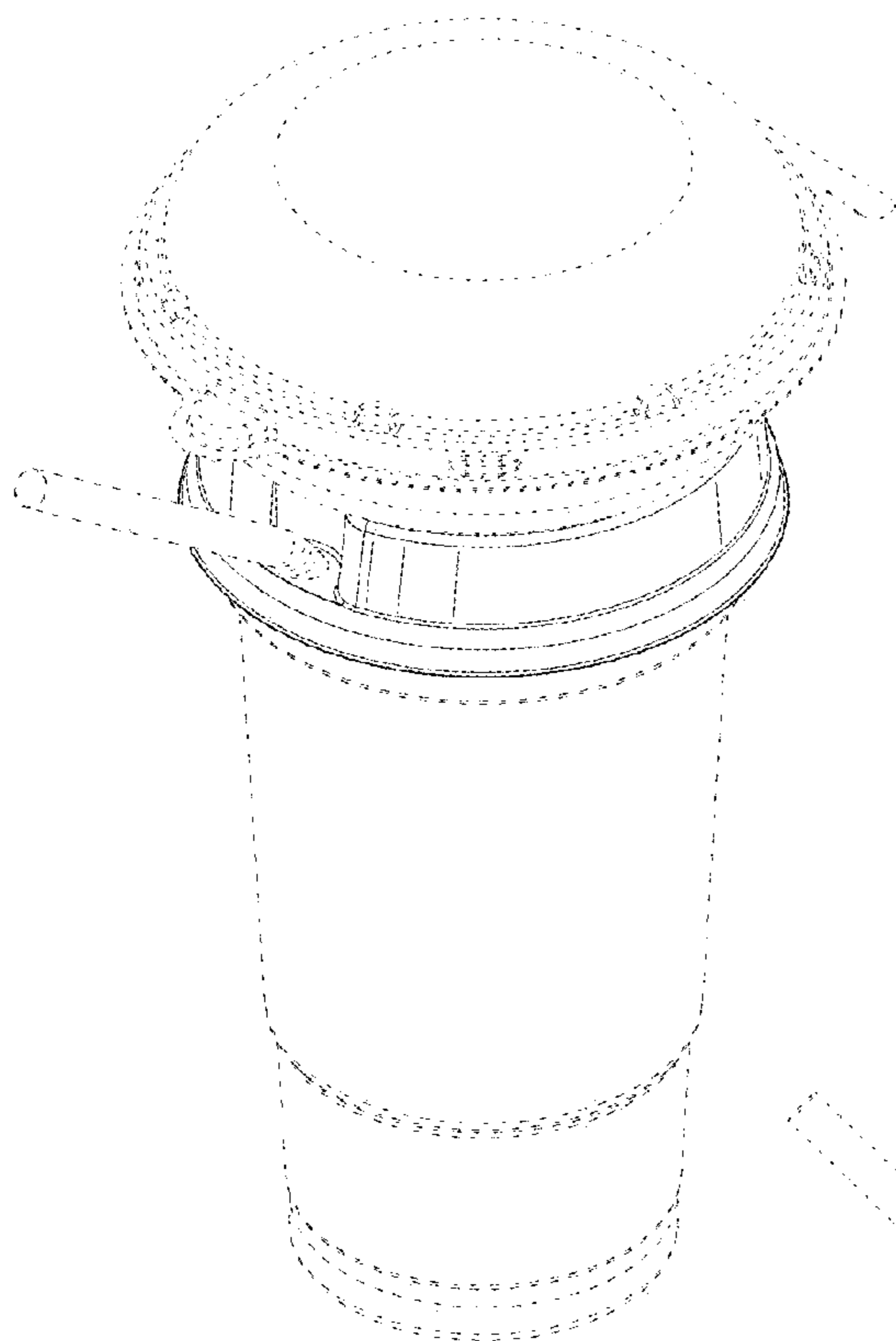


FIG. 5

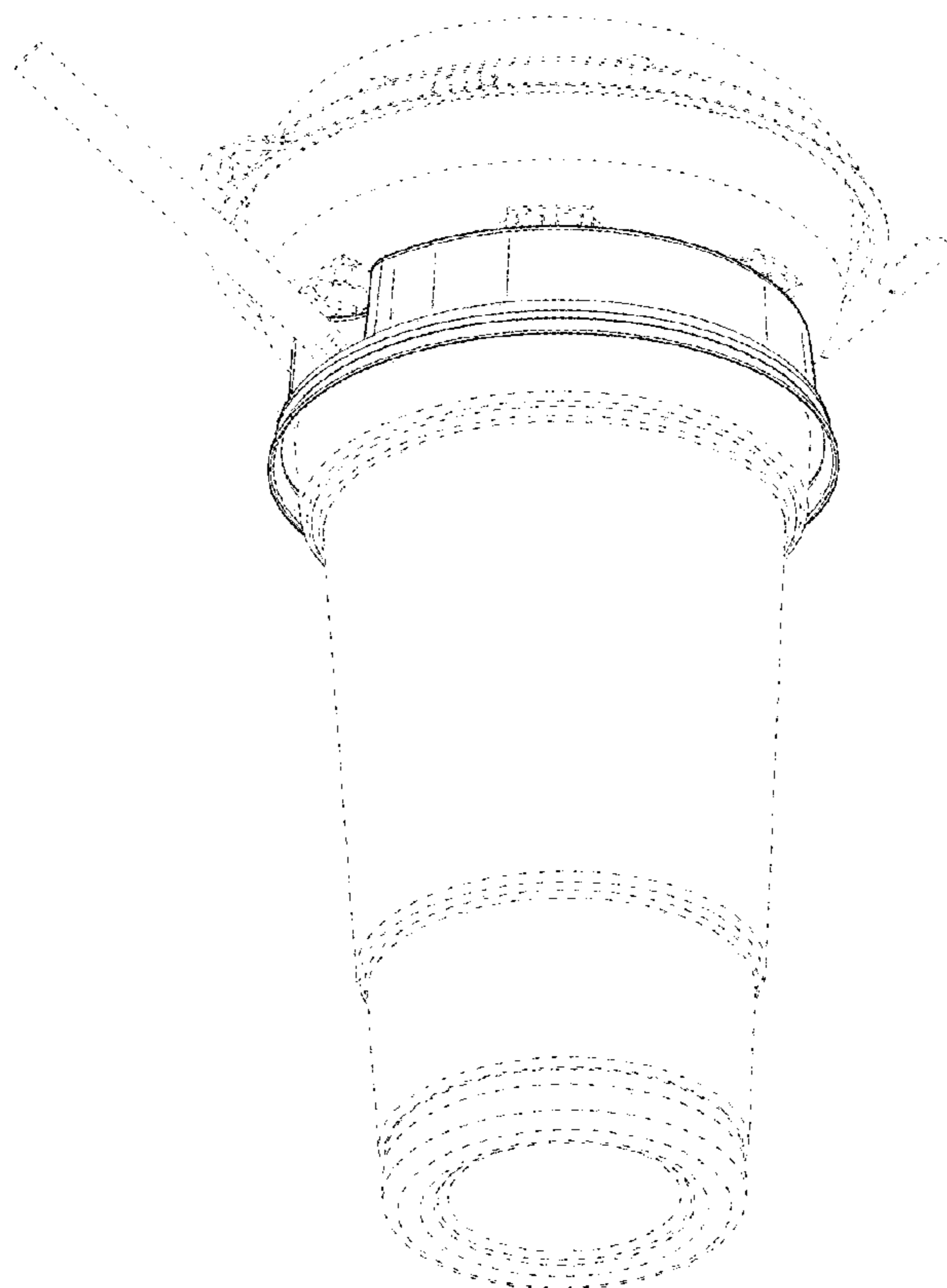
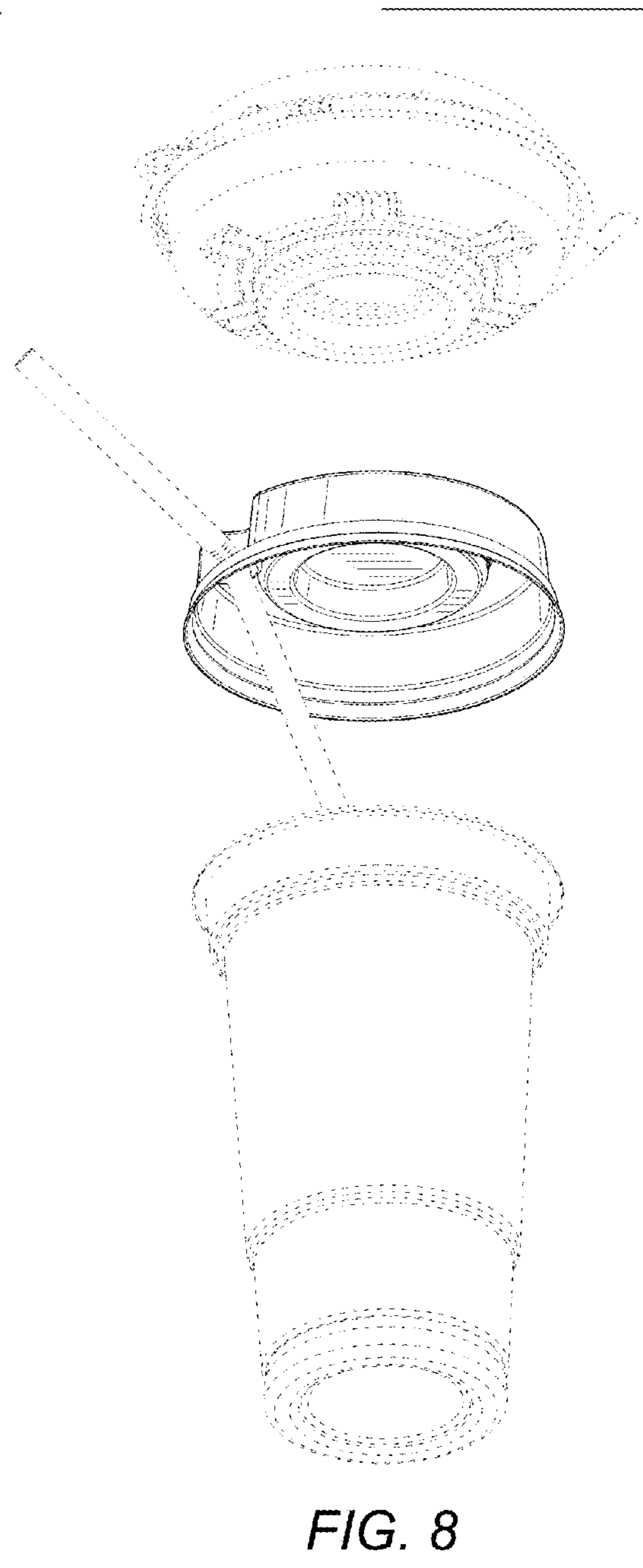
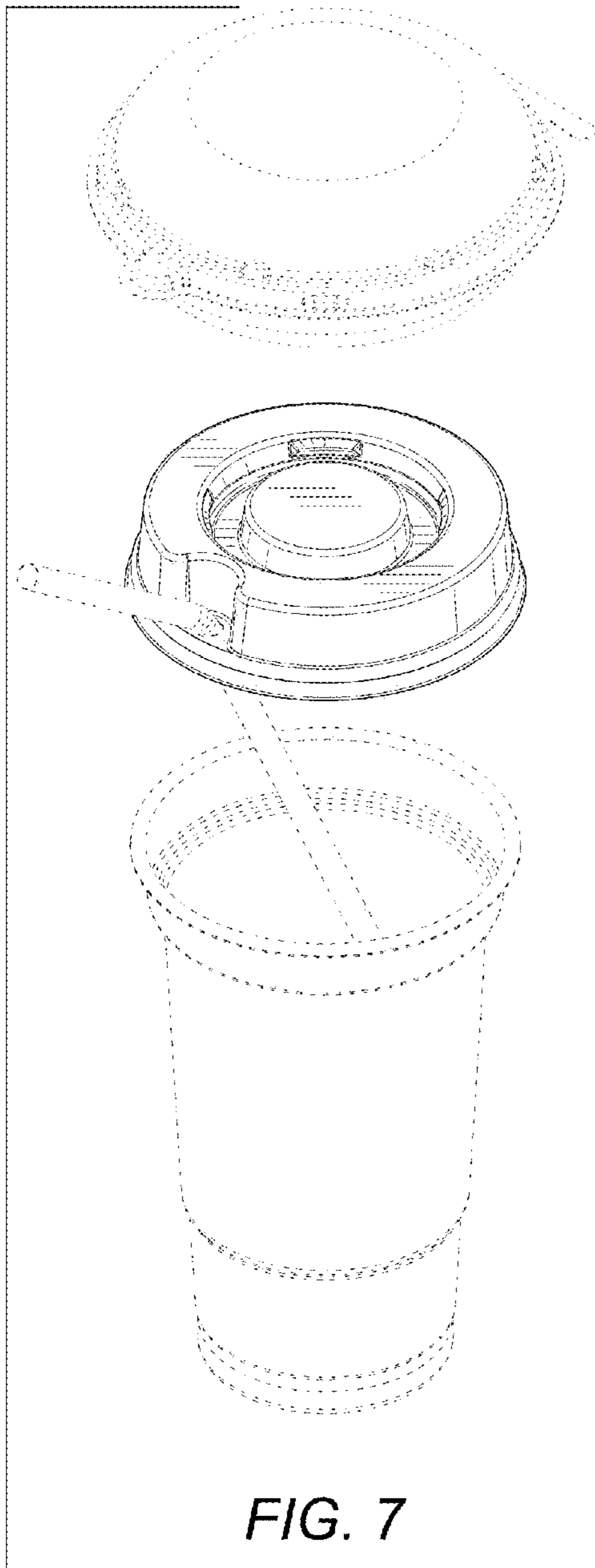


FIG. 6





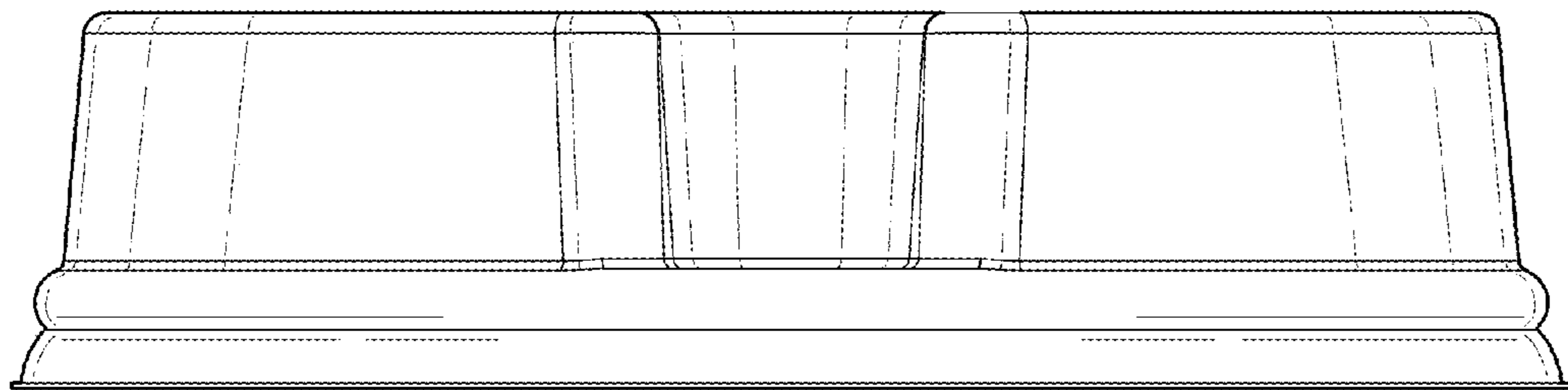


FIG. 9

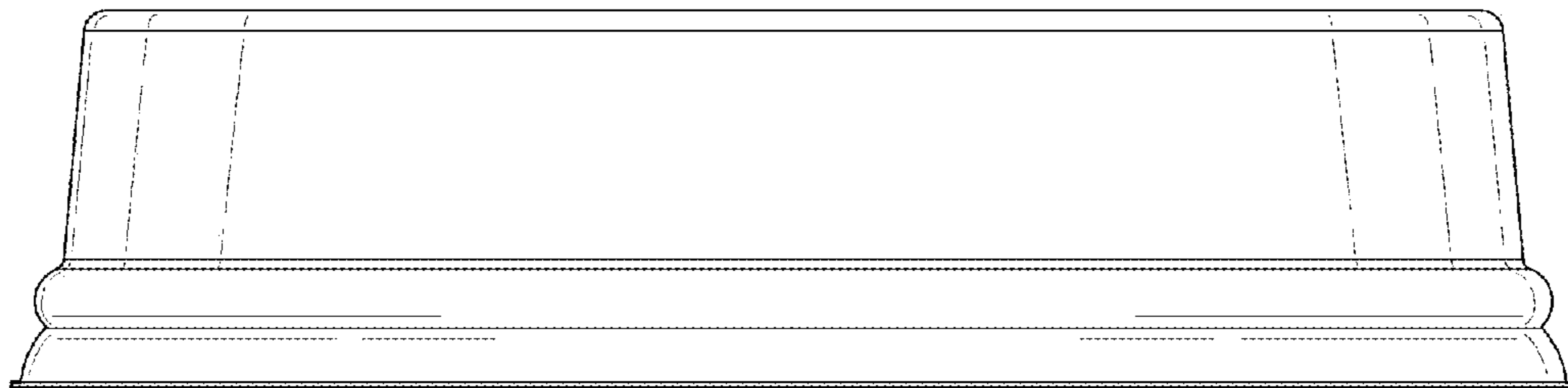


FIG. 10

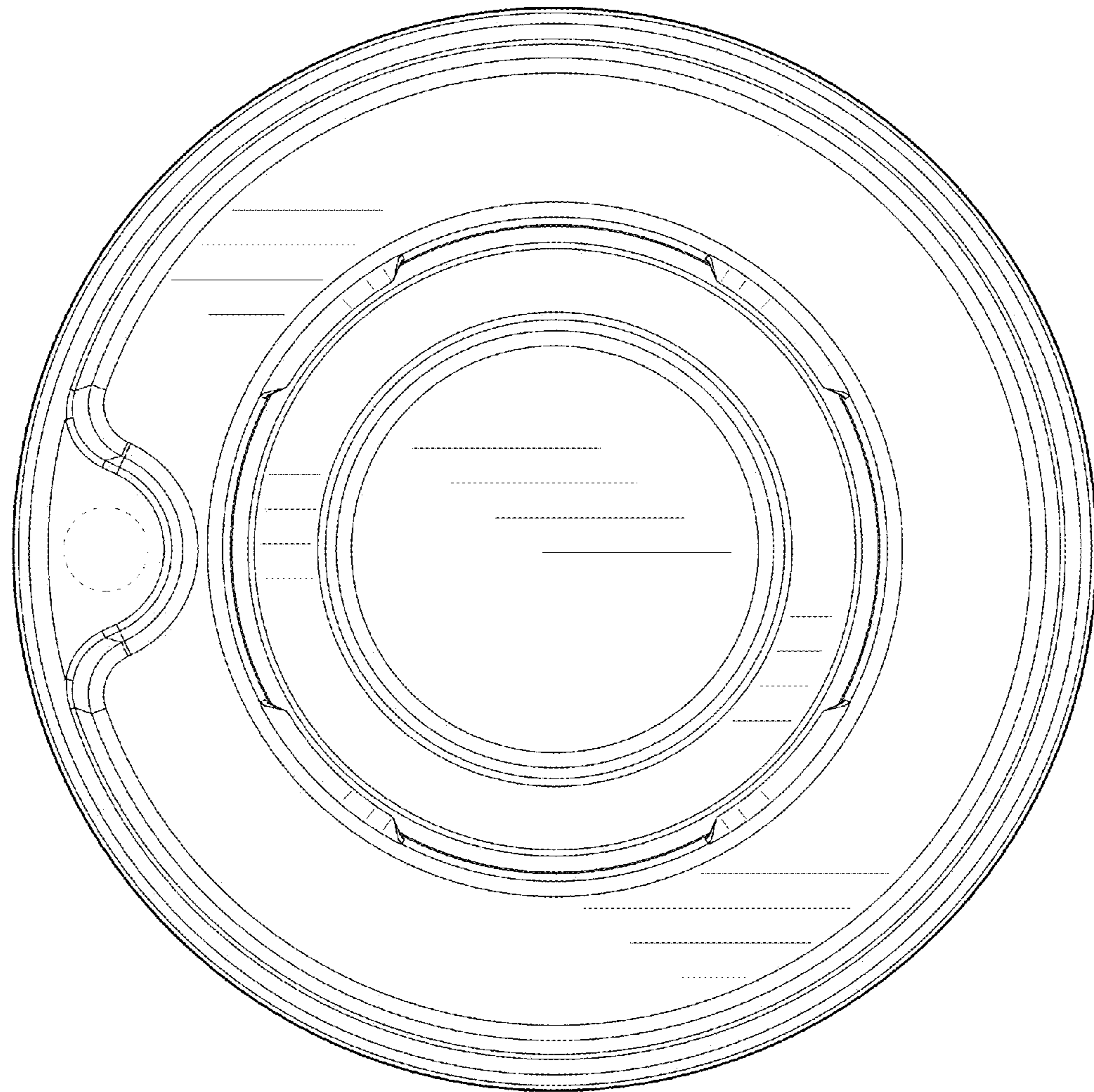


FIG. 11

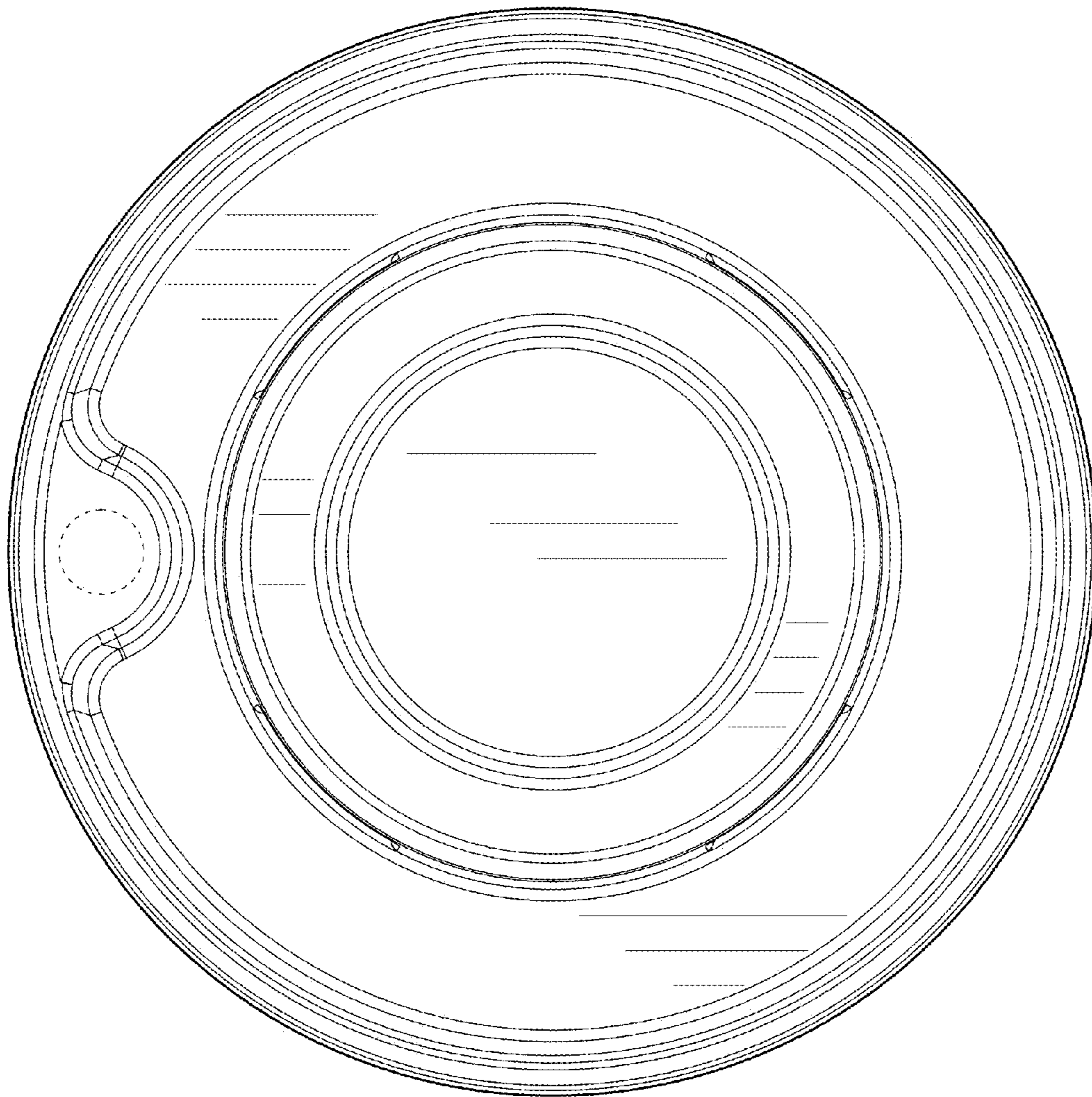


FIG. 12

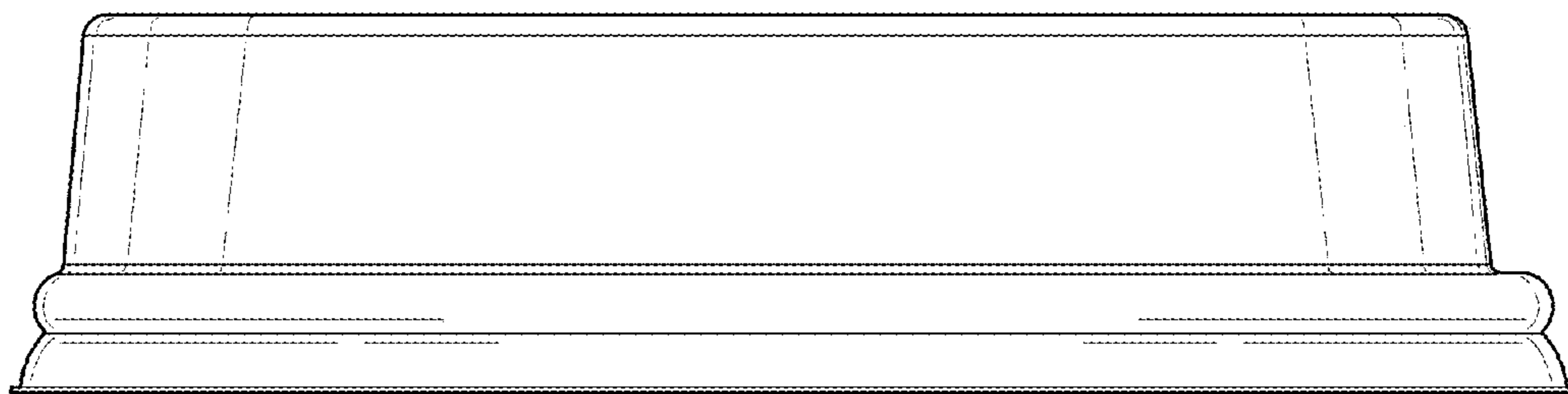


FIG. 13